

Air Preparation Products

Filters, Regulators, Lubricators,
& Airline Accessories

Catalog 0700P



ENGINEERING YOUR SUCCESS.



DISTRIBUTION NETWORK

At Parker, we have the largest global distribution network in motion and control, with over 7,500 distributors serving more than 422,000 customers.

To find the distributor nearest you, please visit our DISTRIBUTOR LOCATOR at <http://www.parker.com/pneu/distributor>



ENGINEERING YOUR SUCCESS.

WARNING

FAILURE OR IMPROPER SELECTION OR IMPROPER USE OF THE PRODUCTS AND/OR SYSTEMS DESCRIBED HEREIN OR RELATED ITEMS CAN CAUSE DEATH, PERSONAL INJURY AND PROPERTY DAMAGE.

This document and other information from Parker Hannifin Corporation, its subsidiaries and authorized distributors provide product and/or system options for further investigation by users having technical expertise. It is important that you analyze all aspects of your application including consequences of any failure, and review the information concerning the product or system in the current product catalog. Due to the variety of operating conditions and applications for these products or systems, the user, through its own analysis and testing, is solely responsible for making the final selection of the products and systems and assuring that all performance, safety and warning requirements of the application are met.

The products described herein, including without limitation, product features, specifications, designs, availability and pricing, are subject to change by Parker Hannifin Corporation and its subsidiaries at any time without notice.

Offer of Sale

The items described in this document are hereby offered for sale by Parker Hannifin Corporation, its subsidiaries or its authorized distributors. This offer and its acceptance are governed by the provisions stated on the separate page of this document entitled "Offer of Sale".

**Product Index, Product Selection Guide,
Engineering Data**

A

Global Air Preparation

P31, P32, P33 Series and Accessories

B

P3Y Products

P3Y Series and Accessories

C

14 Series Products

14 Series and Accessories

D

Prep Air[®] II Products

05, 06, 07 Series and Accessories

E

Stainless Steel Products

Stainless Steel and Accessories

F

P3N Products

P3N Series and Accessories

G

General Industrial Products

*F602 Series, 35F Series,
PM30 Coalescing Filters, R119 Series,
PL30 & PL40 Series Lubricators*

H

Miniature / Inline Products

*P31 Series, 02 Series, 14 Series,
05 Series, P3A-R Series, R34 Series,
R25 Series, R45 Series, 27 Series*

J

Regulator Products

*General Regulators, Dial Regulators,
Pilot Regulators, Proportional Regulators,
Semi & Precision Regulators, Water Regulators*

K

Bulk Liquid Separators

WS Series

L

Dryer Products

Refrigeration Dryers, Desiccant Dryers

M

Airline Accessories

*Drains, Lockout Valves, Mufflers,
AirGuard Protection System*

N

**Part Number Index,
Safety Guide, Offer of Sale**

O



A

Air Preparation Units

Product Index
 Engineering Data

Global FRL's



- Port size: 1/4 through 3/4 inch
- Maximum supply pressure: 300 psig
- Operating temperature: -13°F through 150°F
- Filters, regulators, filter / regulators, lubricators and accessories
- Modular construction

B2

P3N Series FRL's



- Port size: 3/4 through 1-1/2 inch
- Maximum supply pressure: 250 psig
- Operating temperature: 32°F through 175°F
- High flow
- Filters, regulators, filter / regulators, lubricators and accessories

G2

Product Index

P3Y FRL's



- Port size: 3/4 through 1-1/2 inch
- Maximum supply pressure: 250 psig
- Operating temperature: -40°F through 140°F
- Filters, regulators, filter / regulators, lubricators and accessories
- Modular construction

C2

General Industrial FRL's



- Port size: 1/4 through 2 inch
- Maximum supply pressure: 300 psig
- Operating temperature: 32°F through 212°F
- Filters, regulators, filter / regulators, lubricators and accessories

H2

Product Selection Guide

14 Series FRL's



- Port size: 1/8 through 1/4 inch
- Operating temperature: -4°F through 175°F
- Maximum supply pressure: 300 psig
- Non-modular construction
- Ideal for OEM applications
- Filters, regulators, filter / regulators, and lubricators

D2

Miniature / Inline FRL's



- Port size: 1/8 through 3/8 inch
- Operating temperature: -4°F through 175°F
- Non-modular construction
- Ideal for point of use applications
- Filters, regulators, filter / regulators, lubricators and accessories

J2

Engineering Data

Prep-Air II FRL's



- Compact & standard
- Port size: 1/4 through 3/4 inch
- Maximum supply pressure: 300 psig
- Operating temperature: -4°F through 175°F
- Point of use applications
- Modular construction
- Filters, regulators, filter / regulators, lubricators and accessories

E2

Regulator Products



- Port sizes: 1/8 through 2 inch
- Maximum supply pressure: 300 psig
- Operating temperature: -40°F through 200°F
- Precision
- Electronic proportional
- General Regulators
- Water Regulators

K2

Stainless Steel FRL's



- Port sizes: 1/4 and 1/2 inch
- Stainless steel construction handles most corrosive environments
- Maximum supply pressure: 300 psig
- Operating temperature: -40°F through 180°F
- Meets NACE specifications MR-01-75/ISO 15156
- Filters, regulators, filter / regulators, and lubricators

F2

Liquid Separators



- Port sizes 1/4 through 2 inch
- Designed in accordance with ASME
- Maximum supply pressure: 232 psig
- Operating temperature: 35°F through 175°F
- High liquid removal efficiencies at all flow conditions
- Low maintenance
- Suitable for variable flow compressors


L2



For inventory, lead times, and kit lookup, visit www.pdnplu.com

Air Preparation Units

Dryer Products




- Refrigeration (10-2400 scfm)
- Inline desiccant (15-60 scfm)
- Heatless desiccant dryers (40-800 scfm)

M2

Accessories

Airline Accessories



- Zero loss & timer drains
- Drains cocks
- Lockout valves
- AirGuard
- Mufflers

N2

Part Number Index, Safety Guides, Offer of Sale

- Part Number to Page Number Index
- Safety Guide
- Offer of Sale

02

A
Product Index Engineering Data
Product Index
Product Selection Guide
Engineering Data

PNEUMATIC DIVISION E-TOOLS

Pneumatic Division Part Lookup Tool

Part Lookup Tool Overview

The purpose of this application is to provide users with more in depth detail, such as replacement kits or current inventory for specific pneumatic part numbers. The tool also provides cross reference information for products that have been previously obsoleted. Searches can be made by searching a portion or all of a part number. Use the drop down options available to narrow your search.



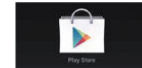
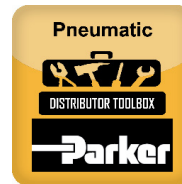
Part Lookup Tool Contents

- Replacement KITS by part number
- Bulk part search
- Obsolete cross reference
- Shipping location
- Inventory/stock levels
- Lead time
- Pricing (with distributor login only)

How to access the Tool

U.S. Parker Pneumatic Distributors

- www.pdnpartlookup.com
- Or download the “Distributor Toolbox” app



Guest Users

- www.pdnplu.com

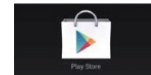
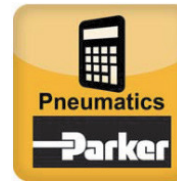
Pneumatic Division Size & Selection Calculators

Size, Selection and Cost of Air Calculators Overview

The purpose of this application is to provide users and designers of pneumatic systems with a handy collection of compressed air cost calculators, conversion tools and air valve (Cv) and flow (SCFM) calculations for air cylinder actuation. The size and select calculators are available to anyone for use. See details below.

How to access the Tool

- www.parkerpdncalc.com
- Or download the “Pneumatics” calculator app



Calculator Contents

- Cost calculator for leaks
- Cost calculator for compressors
- Cost calculator for reverse flow regulators
- Vacuum flow through an orifice
- Air flow through an orifice
- Annual cost of air cylinder operation
- Valve/FRL sizing for cylinder actuation
- And more!

The Parker 5-Year Extended Warranty

Parker Hannifin Corporation will extend its warranty on all pneumatic components to sixty (60) months providing they are correctly installed and protected by Parker pneumatic filters which are properly maintained. Components covered by this warranty include all cylinders, valves, and pneumatic automation components manufactured by Parker in any of our global facilities. This warranty covers our components anywhere in the world you may ship your equipment.

Parker's obligation under this warranty is limited to the replacement or repair of any failed components. The buyer understands that the seller will not be liable for any other costs or damages.

The buyers of quality Parker components and filters benefit by having ONE source for all pneumatic needs - **Parker.**



Jennifer Parmentier
President
Motion Systems Group



A

Product Index
Engineering Data

Product
Index

Product
Selection
Guide

Engineering
Data

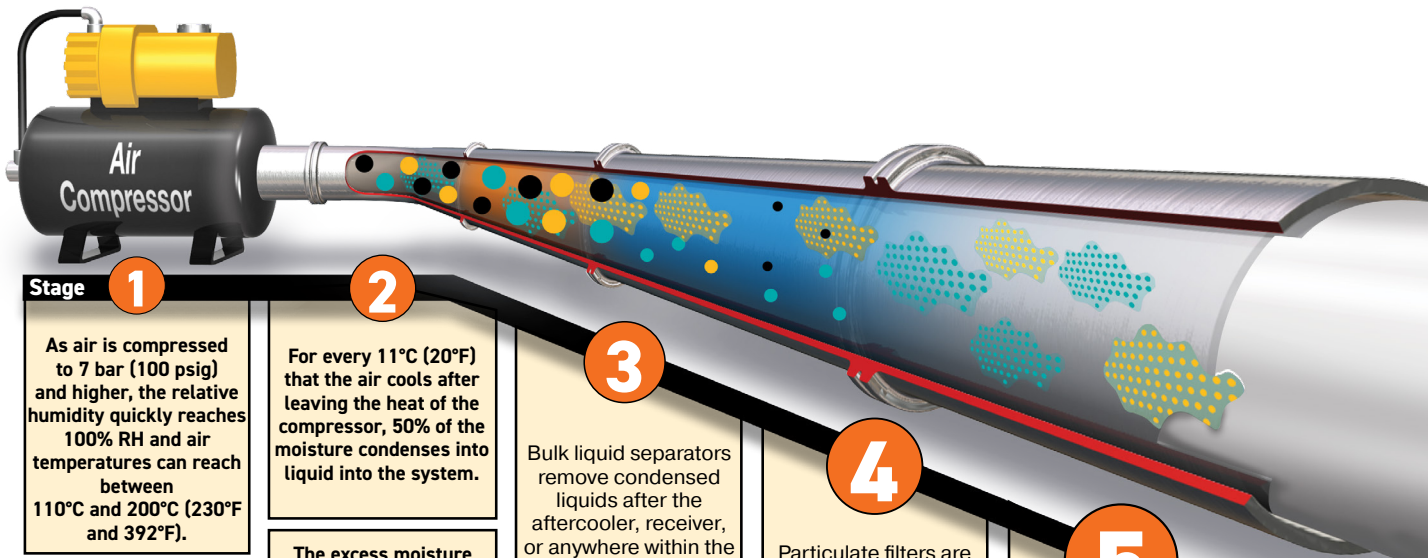


A

Together we can power your application with clean, dry air

Fast cycle times, high product quality, and low downtime all require a clean, dry pneumatic system to function properly. Parker has what it takes to make sure pneumatic systems perform at their best.

Clean, dry pneumatic systems with Parker Global Air Preparation



Stage 1
 As air is compressed to 7 bar (100 psig) and higher, the relative humidity quickly reaches 100% RH and air temperatures can reach between 110°C and 200°C (230°F and 392°F).

2
 For every 11°C (20°F) that the air cools after leaving the heat of the compressor, 50% of the moisture condenses into liquid into the system.

The excess moisture condenses and collects in the receiver tank and distribution lines. This condensate must be removed.

3
 Bulk liquid separators remove condensed liquids after the aftercooler, receiver, or anywhere within the distribution system.

Bulk liquid separators also help protect downstream filters in the system where excess cooling takes place.

4
 Particulate filters are used for the removal of solid particle contaminants down to 5 micron, as well as the removal of condensed liquids

Note: Water and oil, in vapor form, pass through general purpose particulate filters.

This type of filter should be used as a prefilter for the coalescing (oil removal) filter.







5
 Coalescing filters are designed to remove water and oil aerosols (not vapor) and particulate from air streams down to 0.01 micron in size.

Installed in pairs, Particulate and Coalescing filters ensure a continuous supply of high quality air.

- Key**
- Particulate
 - Oil
 - Water
 - Oil Vapor
 - Water Vapor



For inventory, lead times, and kit lookup, visit www.pdnplu.com

						
Stages	1 2	3	4	5	6	7
Function	Air Compressor	Bulk Liquid Removal	Particulate Filtration	Coalescing Filtration	Air Dryers	Hydrocarbon Removal
Application	All pneumatic systems	Basic pneumatic systems	Basic pneumatic systems	Systems requiring highest quality air.	Systems requiring air with reduced moisture content	Systems requiring highest quality air for critical applications
Description	Air leaving the compressor room at 93°C (200°F) releases 95% of its moisture into the piping system when it cools to 38°C (100°F)	Removes bulk liquid contamination and protects filters where excess cooling takes place in the distribution piping	Removes solid particulates down to 5 micron, and the separation of bulk contaminants.	Removes liquid aerosols and submicron particulates (not vapor) down to 0.01 micron.	Removes water vapor from air stream. Dew point reduced down to 4°C (40°F) (refrigeration) or -40°C (-40°F) (desiccant).	Removal of odors and trace vapors for critical applications.
Parker Global Air Preparation Solution	Customer supplied	P31TF Bulk Liquid Separator	P31, P32, P33 Particulate Filter	P31, P32, P33 Coalescing Filter	Refrigeration Dryer, TW Regenerative Desiccant Dryer	P31, P32, P33 Activated Carbon (Adsorber) Filter

A
Product Index
Engineering Data
Product Index
Product Selection Guide
Engineering Data

Clean Dry Air

6
Refrigeration and desiccant dryers lower the air's dew point by removing water vapor, providing appropriately dry air for the downstream application.

7
Hydrocarbon and oil vapors are removed using filters utilizing activated carbon. Airborne hydrocarbons are often left over from the compressor oils.



For inventory, lead times, and kit lookup, visit www.pdnplu.com

A

Product Index
Engineering Data



For inventory, lead times, and kit
lookup, visit www.pdnplu.com

Pneumatic Air Preparation Products
Engineering Data

Engineering Data

Product Selection Guide	A2-A7
Engineering Selection Guide	A8
Fluid Power Graphic Symbols	A9
Product Information	A10
Particulate Filters Information	A11
Coalescing Filter Information	A12-A14
Regulator Information	A15
Filter / Regulator Information	A16
Lubricators Information	A17-A18
Dial Regulators	A19
Precision Regulators	A20-A22
Lockout Valves	A23
Sources of Contamination	A24-A26
Purity Level	A27



Product Selection Chart

A

Product Index
 Engineering Data

Product Index

Product Selection Guide

Engineering Data

Basic Unit	Series	Port Size (inch)											Bowls			Bowl Capacity	Element Type			Page	
		1/8	1/4	3/8	1/2	3/4	1	1-1/4	1-1/2	2	2-1/2	3	Poly	Metal	Metal SG		5	40	Adsorber		
SEPARATORS	WS													Aluminum Body			—	Bulk Liquid Separator			L2
			•	•	•	•	•			•	•			Aluminum Body			—	Std.	—	—	J2
FILTERS	P31F		•										•	•	—	.4 oz.	Std.	—	—	B8	
	PF504		•										Stainless Steel			1.0 oz.	Opt.	Std.	—	F2	
	14F	•	•										•	•	—	1 oz.	Std.	Opt.	Opt.	D2	
	05F		•	•									•	—	—	2 oz.	—	Std.	—	E2	
	P32F		•	•	•								•	•	•	1.7 oz.	Std.	—	—	B10	
	06F		•	•	•								•	•	•	4.4 oz.	Opt.	Std.	—	E4	
	07F				•	•							•	•	•	7.2 oz.	Opt.	Std.	—	E6	
	P33F				•	•							•	•	•	2.8 oz.	Std.	—	—	B12	
	PF10				•								Stainless Steel			4.0 oz.	Opt.	—	—	F4	
	P3Y					•	•						•	—	—	4.4 oz.	Std.	—	—	C4	
	P3NF					•	•			•			—	—	•	18 oz.	—	Std.	—	G2	
	F602					•	•			•			—	•	•	16 oz. (W) 32 oz. (E)	Opt.	Std.	—	H2	
	35F									•	•		—	•	—	13.9 oz.	Std.	—	—	H8	



For inventory, lead times, and kit lookup, visit www.pdnplu.com

Product Selection Chart

Basic Unit	Series	Port Size (inch)											Bowls			Bowl Capacity	Element Type			Page	
		1/8	1/4	3/8	1/2	3/4	1	1-1/4	1-1/2	2	2-1/2	3	Poly	Metal	Metal SG		0.01	1.0	Adsorber		
C O A L E S C I N G F I L T E R S	O2F		•											Nylon Housing			—	Std.	Opt.		J8
	P31F		•											•	•	—	.4 oz.	Std.	Opt.	Opt.	B14
	PF501		•											Stainless Steel			1.0 oz.	Std.	—	—	F6
	10F	•	•											•	•	—	1 oz.	Std.	Opt.	—	D4
	15F		•	•										•	—	—	2 oz.	Std.	—	—	E8
	P32F		•	•	•									•	•	•	1.7 oz.	Std.	Opt.	—	B16
	11F		•	•	•									•	•	•	4.4 oz.	Std.	Opt.	—	E10
	12F					•	•							•	•	•	7.2 oz.	Std.	Opt.	—	E12
	P33F					•	•							•	•	•	2.8 oz.	Std.	—	Opt.	B18
	PF11					•								Stainless Steel			4.0 oz.	Std.	—	—	F8
	P3Y					•	•							•			4.4 oz.	Std.	—	—	C6
	P3NF					•	•				•			—	—	•	18 oz.	Std.	—	—	G4
	35F										•	•		—	•	—	13.9 oz.	Std.	Opt.	—	H6
	PM30					•	•						•	—	•	—	2.0 oz.	Std.	—	—	H10

A

Product Index
Engineering Data

Product Index

Product Selection Guide

Engineering Data



For inventory, lead times, and kit lookup, visit www.pdnplu.com

Product Selection Chart

A

Product Index
 Engineering Data

Product Index

Product Selection Guide

Engineering Data

Basic Unit	Series	Port Size										Spring Range															Page				
		1/8	1/4	3/8	1/2	3/4	1	1-1/4	1-1/2	2	2-1/2	8	15	20	25	30	40	50	60	100	120	125	140	150	160	175		200	232	250	
STANDARD	P31R		•									—	—	—	—	Opt.	—	—	Opt.	—	—	Std.	—	—	—	—	—	—	Opt.	—	B20-B23
	14R	•	•									—	Opt.	—	—	Opt.	—	—	Opt.	—	—	Std.	—	—	—	—	—	—	—	D6	
	P3A-R	•	•									—	Opt.	—	—	Opt.	—	—	Opt.	—	Std.	—	—	—	—	—	—	—	—	J20	
	R34	•	•									—	—	—	—	Opt.	—	—	Opt.	—	—	Std.	—	—	—	—	—	—	—	J22	
	R25	•	•									—	—	—	—	Opt.	—	—	—	Opt.	—	—	Std.	—	—	—	—	—	—	J24, K8	
	R45		•	•								—	—	—	—	Opt.	—	—	—	Opt.	—	—	Std.	—	—	—	—	—	—	J26, K10	
	15R		•	•								—	Opt.	—	—	Opt.	—	—	—	Opt.	—	—	Std.	—	—	—	—	—	—	J28	
	05R		•	•								—	—	—	—	Opt.	—	—	—	Std.	—	—	Std.	—	—	—	—	Opt.	—	E14	
	P32R		•	•	•							—	—	—	—	Opt.	—	—	—	Opt.	—	—	Std.	—	—	—	—	—	—	Opt.	B24-B27
	06R		•	•	•							—	—	—	—	—	—	—	—	Std.	—	—	Std.	—	—	—	—	—	—	Opt.	E16
	P33R					•	•					—	—	—	—	Opt.	—	—	—	Opt.	—	—	Std.	—	—	—	—	—	—	Opt.	B30
	P3Y						•	•				—	—	—	—	—	—	—	—	—	—	—	—	—	—	—	—	Std.	—	Opt.	C8
	07R					•	•					—	—	—	—	—	—	—	—	—	—	—	Std.	—	—	—	—	—	—	Opt.	E18
	P3NR						•	•		•		—	—	—	—	—	—	—	—	—	—	—	Std.	—	—	—	—	—	—	Opt.	G6
R119		•	•	•	•	•		•			—	—	—	—	Opt.	—	—	—	—	—	—	Std.	—	—	—	—	—	—	Opt.	H16-H19	
PILOT	11R	•	•	•							*	*	*	*	*	*	*	*	*	*	*	*	*	*	*	*	*	*	*	E20	
	12R				•	•					*	*	*	*	*	*	*	*	*	*	*	*	*	*	*	*	*	*	*	E22	
	P3Y					•	•				*	*	*	*	*	*	*	*	*	*	*	*	*	*	*	*	*	*	*	C10	
	P3NR					•	•		•		*	*	*	*	*	*	*	*	*	*	*	*	*	*	*	*	*	*	*	G8	
	R119	•	•	•	•	•		•	•		*	*	*	*	*	*	*	*	*	*	*	*	*	*	*	*	*	*	*	H20-H25	
STAINLESS	PR354		•								—	—	—	—	Opt.	—	—	—	—	—	—	Std.	—	—	—	—	—	—	F10		
	PR364		•								—	—	—	—	Opt.	—	—	—	—	—	—	Std.	—	—	—	—	—	—	F10		
	PR10				•						—	—	—	—	—	—	—	—	—	—	—	Opt.	—	—	—	—	—	Opt.	F12		
	PR11				•						—	—	—	—	—	—	—	—	—	—	—	Opt.	—	—	—	—	—	Opt.	F12		

* Will follow Pilot Regulator setting.



For inventory, lead times, and kit lookup, visit www.pdnplu.com

Product Selection Chart

A

Product Index
 Engineering Data

Product Index

Product Selection Guide

Engineering Data

Basic Unit	Series	Port Size						Bowls			Bowl Capacity	Elements (Micron)			Adsorber	Spring Range								Page				
		1/8	1/4	3/8	1/2	3/4	1	1-1/4	1-1/2	2		Poly	Metal	Metal SG		5	20	40	15	25	30	60	110		125	175	200	250
FILTER / REGULATORS	P31E	•								•	•	—	0.4 oz.	Std.	—	—	—	—	—	Opt.	Opt.		—	—	—	Opt.	B42	
	14E	•	•							•	•	—	1 oz.	Std.	—	Opt.	Opt.	Opt.	—	Opt.	Opt.		Std.	—	—	—	D8	
	B34	•	•							•	•	—	1 oz.	Std.	Opt.	—	—	—	Opt.	—	Opt.		Std.	—	—	—	J32	
	05E	•	•							•	—	—	2 oz.	—	—	Std.	—	—	—	Opt.	Std.		Std.	—	Opt.	—	E24	
	P32E	•	•	•						•	•	•	1.7 oz.	Std.	—	—	—	—	—	Opt.	Opt.		Std.	—	—	Opt.	B44-B47	
	06E	•	•	•						•	•	•	4.4 oz.	Opt.	—	Std.	—	—	—	—	—	Std.		Std.	—	—	Opt.	E26
	07E				•	•				•	•	•	7.2 oz.	Opt.	—	Std.	Opt.	—	—	—	—	Std.		Std.	—	—	Opt.	E28
	P33E				•	•				•	•	•	2.8 oz.	Std.	—	—	—	—	—	Opt.	Opt.		Std.	—	—	Opt.	B48	
	P3Y				•	•				•	•	•	4.4 oz.	Std.	—	—	—	—	—	—	—	—	—	Std.	—	—	Opt.	C14
	P3NE				•	•		•		—	—	•	18 oz.	—	—	Std.	—	—	—	—	—	—	Std.	—	—	Std.	G10	
12E				•	•				—	•	—	7.2 oz.	6 Std. 0.01	—	10 Opt. 1.0	—	—	—	—	Opt.		Std.	—	—	Opt.	E30		
MICRO MIST	15L	•	•						•	—	•	2 oz.	Cannot be filled under pressure										E32					
	16L	•	•	•					•	•	•	2.6 oz.	Cannot be filled under pressure										E34					
	17L			•	•	•			•	•	•	4.9 oz.	Cannot be filled under pressure										E36					
	02L	•	•						Aluminum Body			0.25 oz.	Cannot be filled under pressure										J38					
	P31L	•							•	—	•	0.6 oz.	Can be filled under pressure										B50					
	04L	•	•						•	•	—	1 oz.	Cannot be filled under pressure										D10					
	P32L	•	•	•					•	—	•	4.09 oz.	Can be filled under pressure										B52					
	06L	•	•	•					•	•	•	2.9 oz.	Can be filled under pressure										E38					
	07L				•	•			•	•	•	6 oz.	Can be filled under pressure										E40					
	P33L				•	•			•	—	•	6.1 oz.	Can be filled under pressure										B54					
	PL10				•				Stainless Steel			4.0 oz.	Cannot be filled under pressure										F18					
	P3Y				•	•			•	—	—	16.9 oz.	Can be filled under pressure										C16					
	P3NL				•	•		•	—	—	•	18 oz.	Can be filled under pressure										G12					
PL30				•	•			—	—	•	26 oz.	Can be filled under pressure										H24						
PL40							•	—	—	•	26 oz.	Can be filled under pressure										H26						
09L							•	—	—	•	1 qt. Std. 3 qt. Opt.	Can be filled under pressure										H32						



For inventory, lead times, and kit lookup, visit www.pdnplu.com

Product Selection Chart

Basic Unit	Series	Number of Components	Port Size										Bowls			Elements (Micron)					Spring Range						Page			
			1/8	1/4	3/8	1/2	3/4	1	1-1/4	1-1/2	2	Poly	Metal	Metal SG	5	40	0.01	1.0	Absorber	15	30	60	125	175	232	250				
MODULAR COMBOS	P31	Multi		•										•	•	—	Std.	—	Opt.	Opt.	Opt.	—	Opt.	Opt.	Std.	—	—	Opt.	B56	
	P32	Multi		•	•	•								•	•	•	Std.	—	Opt.	Opt.	Opt.	—	Opt.	Opt.	Std.	—	—	Opt.	B57	
	17H	2					•							—	—	•	Opt.	Std.	—	—	—	—	—	Opt.	Std.	—	—	Opt.	E44	
	07B/17B	3				•	•							•	•	—	Opt.	Std.	—	—	—	—	—	Opt.	Std.	—	—	Opt.	E44	
	P33	Multi				•	•							•	•	•	Std.	—	Opt.	Opt.	Opt.	—	Opt.	Opt.	Std.	—	—	Opt.	B58	
	P3YCA	2					•	•						•	•	•	Std.	—	—	—	—	—	—	—	—	Std.	Opt.	—	C18	
	P3YCB	3					•	•						•	•	•	Std.	—	—	—	—	—	—	—	—	Std.	Opt.	—	C18	
	P3NCA	2					•	•						—	—	•	—	Std.	—	—	—	—	—	—	—	Std.	—	—	Opt.	G14
	P3NCB	3					•	•						—	—	•	—	Std.	—	—	—	—	—	—	—	Std.	—	—	Opt.	G14
	NIPPLED	14G	2	•	•										•	•	—	Std.	Opt.	—	—	—	Opt.	Opt.	Opt.	Std.	—	—	—	D12
		14A	3	•	•										•	•	—	Std.	Opt.	—	—	—	Opt.	Opt.	Opt.	Std.	—	—	—	D12
		06G	2			•	•								•	—	•	Opt.	Std.	—	—	—	—	—	Std.	Std.	—	—	Opt.	E42
16G		3			•									•	—	—	Opt.	Std.	—	—	—	—	—	Std.	Std.	—	—	Opt.	E42	
17G		2				•								—	—	•	Opt.	Std.	—	—	—	—	—	Std.	Std.	—	—	Opt.	E42	
07A	3				•	•							•	•	•	Opt.	Std.	—	—	—	—	—	Std.	Std.	—	—	Opt.	E42		

A

Product Index
Engineering Data

Product Index

Product Selection Guide

Engineering Data

Basic Units	Series	Port Sizes	Flow Rates (scfm)	Pressure dewpoints			Electrical Requirement		Dryer Application	Page
				37-50°F	-40°F	-40 to -100°F	Yes	No		
Disposable Inline Desiccant	DD10-02	1/4"	15	—	Std.	—	—	•	Point of use, intermittent use	M6
Inline Desiccant	DD	1/4" to 1"	15, 30, 60	—	Std.	—	—	•	Point of use, intermittent use	M7
Regenerative Desiccant Dryer	DAS	3/8"	3 - 20	—	Std.	—	•	—	Compact, lightweight, point of use	M9
Heatless Desiccant Dryer	PTW	1/2" to 2"	25 - 800	—	Std.	Opt.	•	—	Specific where very low pressure dewpoints are required	M13
Refrigeration Dryer	PRD	1/2" to 6" flange	10 - 2,400	Std.	—	—	•	—	General industrial use	M2



For inventory, lead times, and kit lookup, visit www.pdnplu.com

A

Product Index
 Engineering Data

Product Index

Product Selection Guide

Engineering Data

Saving Money and Space by Sizing Your Valves Properly

This catalog gives you a flow rating (Cv) for each valve in the Parker Hannifin line. You can “plug” your requirements into the following simple formula, and determine the Cv needed to do the job. By not oversizing, you’ll save space and money, and you’ll ensure the valve you select will do the job.

Converting the Job Requirements Into Cv (Capacity Co-efficient).

$$C_v = \frac{\text{Cylinder Area (Sq. In.)} \times \text{Cylinder Stroke (In.)} \times \text{Compression Factor (Table 2)} \times \text{“A” (Table 2)}}{\text{Stroke Time (sec.)} \times 28.8}$$

Let’s work through an example:

We want to extend a 3 1/4” bore cylinder which has a 12” stroke in one second, and we have a supply pressure of 80 PSI to do the work. Here’s what we know:

Cylinder Area for a 3-1/4” Bore, from Table 1.....8.30 sq. in.
 Cylinder Stroke..... 12 in.

Stroke Time Required in Seconds 1 sec.

Compression Factor at 80 PSI, from Table 2..... 6.4

“A” Constant for 80 PSI, from Table 2048

Substituting in the formula, we have:

$$C_v = \frac{8.30 \times 12 \times 6.4 \times .048}{1 \times 28.8} = 1.06$$

Any valve, therefore, which has a Cv of at least 1.06, will extend our cylinder the specified distance in the required time.

Choosing the Valve “Series”

Your next step is to choose a basic valve design to do the job.

For a quick guide to valve designs, see Table 3.

Having selected the basic valve design, consult the Capacity Co-efficient (Cv) tables which describe the individual valve capacities.

Selecting the Valve Model, Options and Accessories

Having determined Cv, series, port size, flow-path configuration (pre-determined by circuit design), and actuation method, you’re ready to choose the exact valve model number.

Read the pertinent catalog pages; note the exact model numbers, options and accessories you want. Then phone or write your Parker Hannifin air valve distributor. They will give you prompt, accurate service.

Note: Need circuit design help? Contact your local Parker Hannifin distributor. They are backed up by our regional Sales Engineers and offices. Between them, you’ll find answers to all of your questions.

Table 1
Effective Square-Inch Areas for Standard-Bore-Size Cylinders

Bore Size	Cylinder Area (Sq. In.)	Bore Size	Cylinder Area (Sq. In.)
3/4"	.44	4"	12.57
1"	.79	4-1/2"	15.90
1-1/8"	.99	5"	19.64
1-1/4"	1.23	6"	28.27
1-1/2"	1.77	7"	38.48
1-3/4"	2.41	8"	50.27
2"	3.14	10"	78.54
2-1/2"	4.91	12"	113.10
3-1/4"	8.30	14"	153.94
3-5/8"	10.32		

Table 2
Compression Factors and “A” Constants

Inlet Pressure (psig)	Compression Factor	“A” Constants for Various Pressure Drop*		
		2 PSI ΔP	5 PSI ΔP	10 PSI ΔP
10	1.6	.152	.103	
20	2.3	.126	.084	.065
30	3.0	.111	.073	.055
40	3.7	.100	.065	.048
50	4.4	.091	.059	.044
60	5.1	.085	.055	.040
70	5.7	.079	.051	.037
80	6.4	.075	.048	.035
90	7.1	.071	.046	.033
100	7.8	.068	.044	.032
110	8.5	.065	.042	.030
120	9.2	.063	.040	.029
130	9.9	.061	.039	.028
140	10.6	.058	.037	.027
150	11.2	.057	.036	.026
160	11.9	.055	.035	.025
170	12.6	.053	.034	.024
180	13.3	.052	.033	.024
190	14.0	.051	.032	.023
200	14.7	.050	.032	.023

Note: Use “A” constant at 5 PSI ΔP for most applications. On very critical applications, use “A” at 2 PSI ΔP. You will find in many cases, a 10 PSI ΔP is not detrimental, and can save money and mounting space.

* Tabulated values are the solution of $\frac{1}{22.48} \sqrt{\frac{GT}{P_1 - P_2} P_2}$ where T is for 68°F and G = 1 for Air.

Table 3
Characteristics of the Major Valve Designs

A. Poppet 3-Way and 4-Way	<ol style="list-style-type: none"> High flow capacities Minimum lubrication requirements Fast response Self-cleaning poppet seats Pressures of 15 to 150 psig (modifications for vacuum to 250 psig)
B. Spool Valves (WCS) 3-Way and 4-Way	<ol style="list-style-type: none"> Low friction Lower operating pressures Fast response Less wear Long Cycle Life - Under pressure, radial expansion of the seal occurs to maintain sealing contact with the valve bore Non-Lube Service - No lubrication required for continuous valve shifting Bi-Directional Spool Seals - Common spool used for any pressure, including vacuum
C. Packed Bore 4-Way	<ol style="list-style-type: none"> Wide range of flow capacities Wide range of flow-path configurations Pilot-operated models available Pressures of vacuum to 150 psig
D. Rotary or Reciprocating Disc 4-Way, manually operated	<ol style="list-style-type: none"> Inexpensive Versatility in manual actuation

Cv – Capacity Co-efficients (sometimes called Flow Factors). Each flow path through the valve has its own Cv value. All Cv ratings for each valve cataloged on this page are listed on the front side of this sheet.

$$C_v = \frac{Q}{22.48} \sqrt{\frac{GT}{(P_1 - P_2) P_2}}$$

Q = Flow in Standard Cubic Feet per minute (14.7 PSIA at 60°F)
 P₁ = Inlet Absolute Pressure (gauge pressure + 14.7)
 P₂ = Outlet Absolute Pressure (gauge pressure + 14.7)
 Note: P₂ must be greater than .53 x P₁
 G = Specific Gravity of flowing medium (Air, G = 1)
 T = Absolute Temperature of Air (460 + °F)

Cv = Q x “A” (Table 2)



For inventory, lead times, and kit lookup, visit www.pdnplu.com

Air Preparation Units

Symbol Description

	Filter / Separator with manual drain
	Filter / Separator with automatic drain
	Oil Removal Filter
	Automatic Drain
	Lubricator less drain
	Lubricator with manual drain
	Lubricator with automatic filling
	Air Line Pressure Regulator adjustable, relieving
	Air Line Pressure Regulator pilot controlled, relieving
	Filter / Regulator (piggyback) manual drain relieving (with gauge)
	Filter / Regulator (piggyback) auto drain relieving
	Air Line Combo F-R-L simplified

Pneumatic Valves

Symbol Description

	Check
	Flow Control
	Relief Valve
	2-Position, 2-Way
	2-Position, 3-Way
	2-Position, 4-Way
	2-Position, 4-Way 5-Ported

Pneumatic Valves

Symbol Description

	3-Position, 4-Way, APB ports closed, center pos.
	3-Position, 4-Way, CE 5-Ported cylinder ports open to exhaust in center position
	3-Position, 4-Way, PC 5-Ported pressure port open to cylinder ports in center position
	Quick Exhaust
	Shuttle

Valve Actuators

Symbol Description

	Manual general symbol
	Push Button
	Lever
	Pedal or Treadle
	Mechanical cam, toggle, etc.
	Spring
	Detent line indicates which detent is in use
	Piezo
	Solenoid
	Internal Pilot Supply
	Remote Pilot Supply complete
	Remote Pilot Supply simplified
	And / Or Composite solenoid and pilot or manual override
	And / Or Composite solenoid and pilot or manual override and pilot

Cylinders

Symbol Description

	Standard double acting
	Single Acting
	Double Rod
	Spring Return
	Ram Type
	Telescope
	Tandem
	Duplex

Lines and Functions

Symbol Description

	Solid Line - Main Line
	Dashed Line - Pilot Line
	Dotted Line - Exhaust or Drain Line
	Center Line - Enclosure Outline
	Lines Crossing (90° intersection not necessary)
	Lines Joining (90° intersection not necessary)
	Lines Joining
	Flow Direction hydraulic medium
	Flow Direction gaseous medium
	Energy Source
	Line with Fixed Restriction
	Line with Adjustable Restriction
	Flexible Line
	Plugged Port, Test Station, Power Take-off
	Quick Disconnect Without Checks
	Quick Disconnect With Checks
	Quick Disconnect With One Check

A

Product Index
 Engineering Data

Product Index

Product Selection Guide

Engineering Data



For inventory, lead times, and kit lookup, visit www.pdnplu.com

A

Product Index
Engineering Data

Product
Index

Product
Selection Guide

Engineering
Data



CAUTION:

Polycarbonate bowls and sight domes, being transparent and tough, are ideal for use with Filters and Lubricators. They are suitable for use in normal industrial environments, but should not be located in areas where they could be subjected to direct sunlight, an impact blow, nor temperatures outside of the rated range. As with most plastics, some chemicals can cause damage. Polycarbonate bowls and sight domes should not be exposed to chlorinated hydro-carbons, ketones, esters and certain alcohols. They should not be used in air systems where compressors are lubricated with fire-resistant fluids such as phosphate ester and di-ester types.

Metal bowls are recommended where ambient and/or media conditions are not compatible with polycarbonate bowls. Metal bowls resist the action of most such solvents, but should not be used where strong acids or bases are present or in salt laden atmospheres. Consult the factory for specific recommendations where these conditions exist.

TO CLEAN POLYCARBONATE COMPONENTS USE MILD SOAP AND WATER ONLY! DO NOT use cleansing agents such as acetone, benzene, carbon tetrachloride, gasoline, toluene, etc., which are damaging to this plastic.

Metal bowl guards are recommended for all applications.



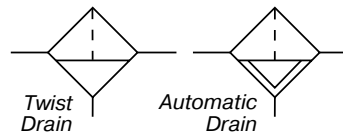
CAUTION:

REGULATOR PRESSURE ADJUSTMENT - The working range of knob adjustment is designed to permit outlet pressures within their full range. Pressure adjustment beyond this range is also possible because the knob is not a limiting device. This is a common characteristic of most industrial regulators, and limiting devices may be obtained only by special design.



For inventory, lead times, and kit
lookup, visit www.pdnplu.com

Filters



Air filters are designed to remove airborne solid contaminants, pipescale, rust, pipe dope, etc., which may plug small orifices or cause excessive wear and premature failure of pneumatic components.

Filter Selection

1. Determine maximum system flow requirements.
2. Determine maximum allowable pressure drop at rated flow in scfm.
3. Refer to flow chart and select filter pipe size by choosing curve that offers minimum pressure drop at desired flow in scfm. For optimum performance, a 2 to 5 psig pressure drop should be selected.

Particulate Filters:

For the removal of solid particle contaminants down to 5 microns and the separation of bulk liquids.

This type of filter is generally used in industrial applications where liquid water and oil, and harmful dirt particles must be removed from the compressed air system. This type of filter should also be used as a prefilter for the Coalescing (oil removal) filter.

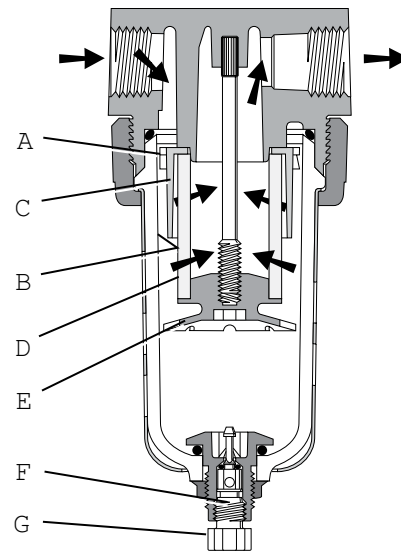
First Stage Filtration:

Air enters at inlet port and flows through deflector plate (A) which causes a swirling action. Liquids and coarse particles are forced to the bowl interior wall (B) by the centrifugal action of the swirling air. They then carry down the bowl wall by the force of gravity. Shroud (C) assures that the proper swirling action occurs and that the air does not pass directly through the filter element (D) until the large particles and liquids are removed. The baffle (E) separates the lower portion of the bowl into a "quiet zone" where the removed liquids and particles collect, unaffected by the swirling air, and are therefore not reentrained into the flowing air.

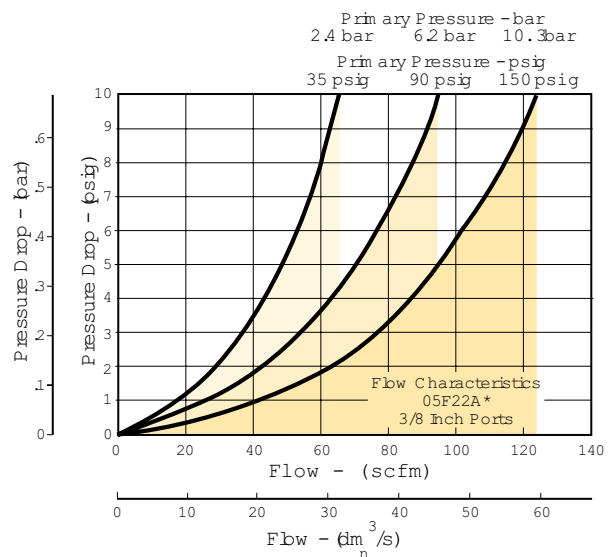
Second Stage Filtration:

After liquids and large particles are removed in the first stage of filtration, the air flows through element (D) where smaller particles are filtered out and retained. The filtered air then passes downstream. Collected liquids and particles in the "quiet zone" should be drained before their level reaches a height where they would be reentrained in the flowing air. This can be accomplished by the twist drain (F) which is actuated by twisting knob (G) counterclockwise. On the 09 Series, unscrew the drain valve (F) slightly until the liquid begins to drain.

Once the required flow is determined for a pneumatic application, the filter can be selected by using the flow chart. To read the filter flow chart, first determine the inlet pressure that will be used. Find the appropriate pressure curve on the graph. Each graph will contain three pressure curves. If the required inlet pressure is not on the graph, interpolate a similar curve for the required pressure. Next, determine the acceptable pressure drop across the filter and locate it on the vertical axis. Find the intersection point of the acceptable pressure drop and the inlet pressure curve. At this point follow a vertical path downward to view the flow in scfm. If the flow is too low, select a larger port size or body size to give the required flow. If the flow is higher than necessary, select a smaller port size or body size to give the required flow.



Reading Flow Charts to Size Filters



A

Product Index
 Engineering Data

Product Index

Product Selection Guide

Engineering Data



A

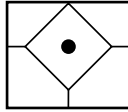
Product Index
 Engineering Data

Product Index

Product Selection Guide

Engineering Data

Coalescing Filters



Coalescing filters are designed to remove 99.9% + of the liquid aerosols, both water and oil, and submicron particulate matter from your pneumatic system. These filters will provide oil free air for applications such as spray painting, air gauging, pneumatic instrumentation, printing and packaging.

Media Specifications

Grade	Coalescing Efficiency	Maximum Oil Carryover ¹	Pressure Drop (PSID) ² @ Rated Flow		
			Micron Rating	Media Dry	Media Wet With 10-20 wt. oil
6	99.97%	0.008	0.01	1.0	2-3
10	95%	0.85	1.0	0.5	0.5

¹ Tested per BCAS 860900 at 40 ppm inlet.

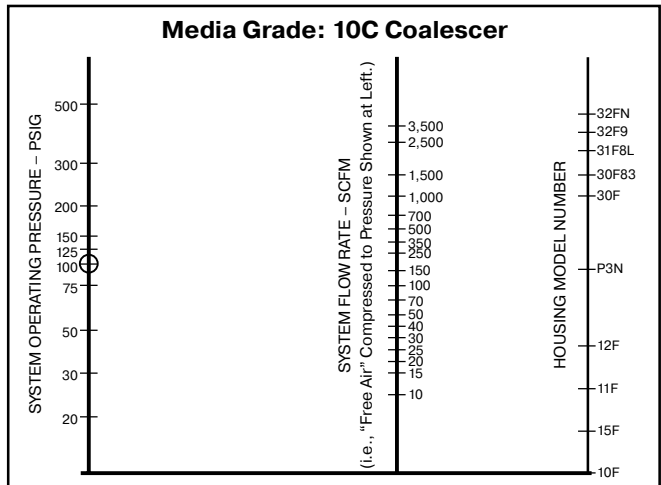
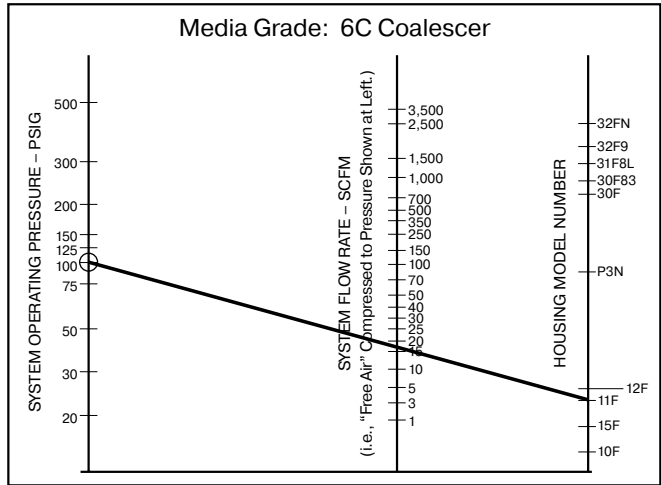
² Add dry + wet for total pressure drop.
 D.O.P. = Dioctylphthalate

Element Selection

Element grade	Applications
6 (.01 Micron)	General air coalescing applications when total removal of liquid aerosols and suspended fines is required in all pressure ranges. Protection of air dryers, air gauging, air logic, modulating systems, critical air conveying, most breathing air systems, etc.
10 (.7 Micron)	Precoalescer or prefilter for Grade 6 to remove gross amounts of water and oil, or tenacious aerosols which are difficult to remove. Upgrading existing particulate equipment to coalescing without increase in pressure drop.

Reading Nomograms for Coalescing Filters

To size a coalescer, refer to the nomograms below. First determine the system pressure and find that pressure on the vertical axis on the left. Next, find the required flow rate on the middle vertical axis. Draw a connecting line between the two points extending to the middle vertical axis giving the recommended coalescer series. If the intersection on the model number axis is between models then choose the model above the intersection point insuring the proper flow in the unit.



For inventory, lead times, and kit lookup, visit www.pdnplu.com

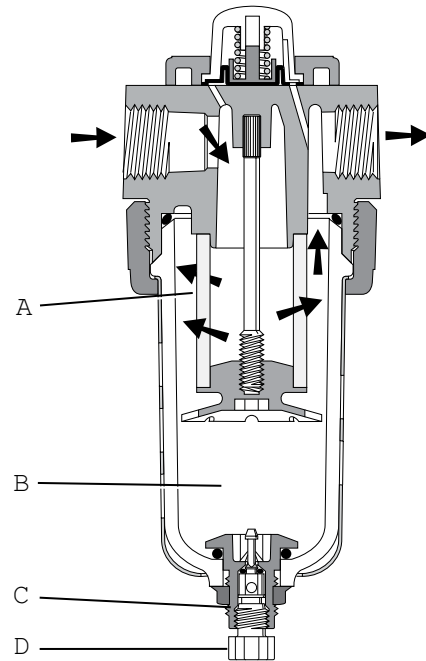
Coalescing Filters (Oil Removal)

Specifically designed for the removal of solid particles, water and oil aerosols down to 0.01 micron. Maximum remaining oil content of air leaving the filter down to 0.01 ppm at 70°F (21°C) at a pressure of 100 psig (6.9 bar) using a typical compressor lubricant. Two filter element grades are offered to better meet your air quality requirements.

Grade 10 filter elements are used for most air coalescing applications where the removal of liquid aerosols and submicronic particles for general air quality is required. Protection of components such as air valves, cylinders, as well as air conveyors, air gaging, air bearings, air control circuits and paint spraying equipment are examples of specific end-use applications. This grade of filter element should be used as a prefilter for the Grade C coalescing filter.

Grade 6 high-efficiency filter elements are used where the removal of extremely fine particulate and virtually "oil-free" or high quality air is necessary. Specific end-use applications are protection of critical air control circuits, air logic systems, flow and temperature controllers, food processing, electronics, health care and film processing.

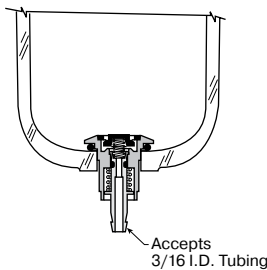
The contaminated air enters the element interior and is forced through a thick membrane of borosilicate glass fibers coated with epoxy (A). Flow then passes through an outer structural support and, at this stage, has removed up to 99.97% + of the sub-micron particles evident in the contaminated air. These tiny droplets coalesce together and are blotted from the filter surface by the drain and release layers of non-woven glass felt and rayon cloth. The drops now begin a gravitational passage to the filter sump (B) where they can be manually or automatically drained. The clean, filtered air now passes through the outer screen plastic net and out into the pneumatic system. The Air Line Coalescing Filter removes liquid aerosols



and sub-micron particulate matter. Collected liquids and particles in the "quiet zone" should be drained before their level reaches a height where they would be reentrained in the flowing air. This can be accomplished by the manual drain (C) which is actuated by twisting knob (D) counterclockwise. On the 30 Series, unscrew the drain valve (E) slightly until the liquid begins to drain.

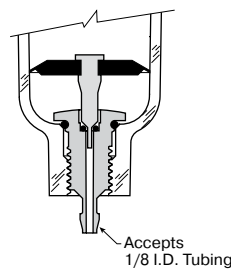
A
Product Index Engineering Data
Product Index
Product Selection Guide
Engineering Data

Semi Automatic Drain



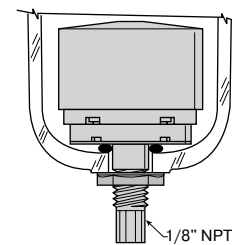
(Overnight Drain)
 This drain offers a semi-automatic function when there is a differential pressure in the filter which occurs when system pressure is shut off. The drain can also be used manually by gripping it with your fingertips and pushing upward.

Automatic Pulse Drain



(Spitter Drain)
 The diaphragm in this drain pulses when there is a pressure differential such as a valve cycling or cylinder stroking downstream. This action flexes the diaphragm and allows the filter to drain the entrapped water.

Automatic Float Drain

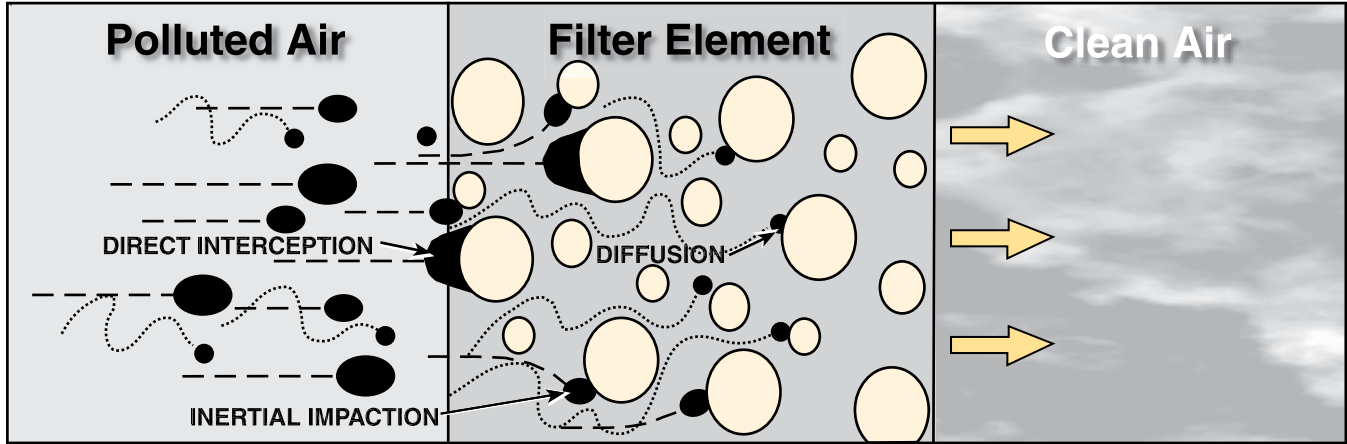


The float internal to this drain rises with increased liquid level. When the float rises, it opens a seat area allowing the trapped liquids to drain through the bottom. A manual override can be pushed in the bottom of the drain to unseat the float if particulates create a block.



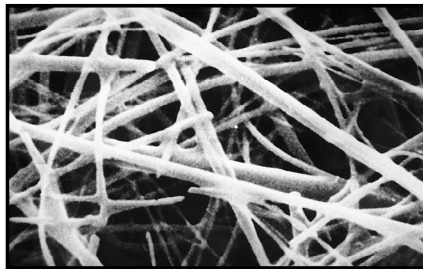
For inventory, lead times, and kit lookup, visit www.pdnplu.com

Filter Technology - Mechanisms of Filtration



Coalescing Filters

Essentially, coalescing filters Grade 10 (.7 micron) & 6 (.01 micron), rely on what is known as mechanical filtration for their effectiveness. The main mechanisms of mechanical filtration are direct interception, inertial impaction and diffusion. Electrostatic attraction can have some bearing although the efficiency of coalescing filters is not dependent on this mechanism.



Above: Clean borosilicate microfiber seen at a magnification factor of 3900.
Right: The same filter material in a contaminated state at the same degree of magnification.



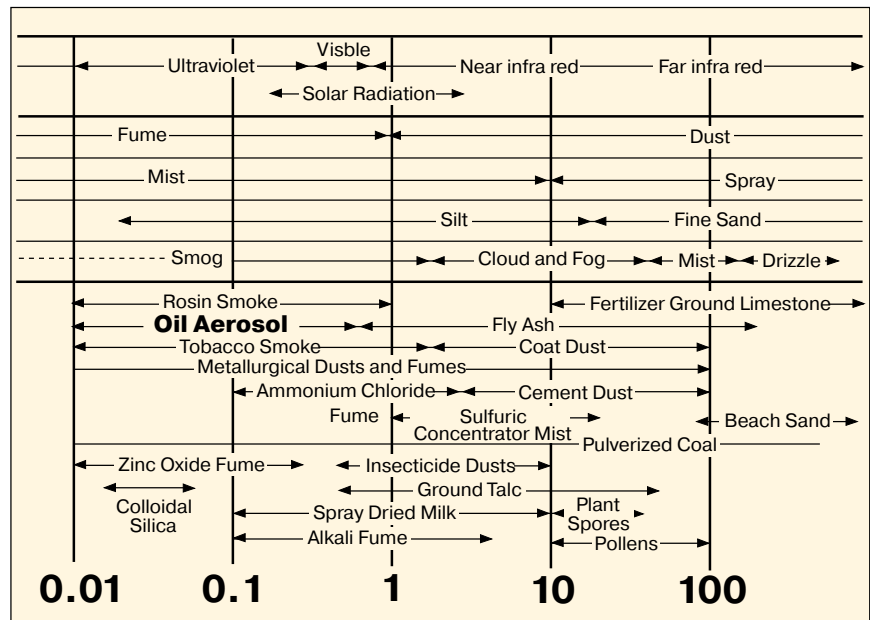
When all mechanisms are combined and utilized by a deep bed of the correct type of filter material, removal of virtually all particles whether liquid or solid, is achieved.

Direct Interception occurs when a particle collides with and adheres to a fiber of the filter material without deviating out of the streamline flow. This mechanism tends to take place on the surface of the filter material and affects mainly larger particles over 1 micron in size.

Inertial Impaction occurs when a particle is unable to follow the tortuous path around the filter fibers and eventually collides with and adheres to one of the fibers. Typically affecting particles in the 0.3 micron - 1 micron size range.

Diffusion or Brownian Movement, as it is sometimes called, occurs with extremely small particles which tend to wander within the gas stream, increasing their chances of colliding with and adhering to a fiber. This usually affects particles below 0.3 micron in size. A degree of overlap takes place with the mechanisms, the extent varying on the conditions.

Pollution Size Chart



To assist in understanding the parameters of filtration, refer to this pollution size comparison chart. Look at the size of a major contaminant, oil aerosol! It is in the region of 0.01 - 0.8 micron. Tobacco smoke is also a liquid

aerosol in a similar size band 0.01 - 1.2 micron. Observe the smoke test yourself, appreciate the size of the problem! The smallest particle the human eye can see is in the order of 40 microns.

A

Product Index
 Engineering Data

Product Index

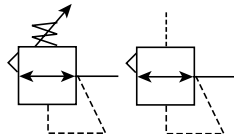
Product Selection Guide

Engineering Data



For inventory, lead times, and kit lookup, visit www.pdnplu.com

Regulators

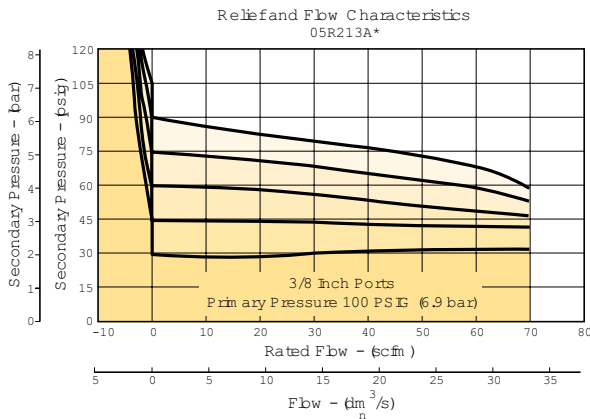


Air regulators are designed to provide quick response and accurate pressure regulation for the most demanding industrial applications.

Regulator Selection

1. Determine maximum system flow requirements.
2. Determine maximum allowable pressure drop at rated flow in scfm.
3. Refer to flow chart and select regulator by choosing the curve that offers minimum pressure drop at desired flow in scfm.

Reading Flow Charts to Size Regulators



Once the required flow is determined for a pneumatic application the regulator or filter/regulator can be selected by using the flow chart. The chart serves two different purposes. To read the flow, use the right side of the chart. To read the relief characteristics use the left side of the chart. When reading the flow chart, first determine the secondary pressure that will be used. Find the appropriate pressure curve on the graph. Given an acceptable pressure drop for an application, follow the flow curve until it intersects the pressure drop point. This will give the flow at that particular pressure drop.

⚠ WARNING

**Product rupture can cause serious injury.
 Do not connect regulator to bottled gas.
 Do not exceed Maximum primary pressure rating.**

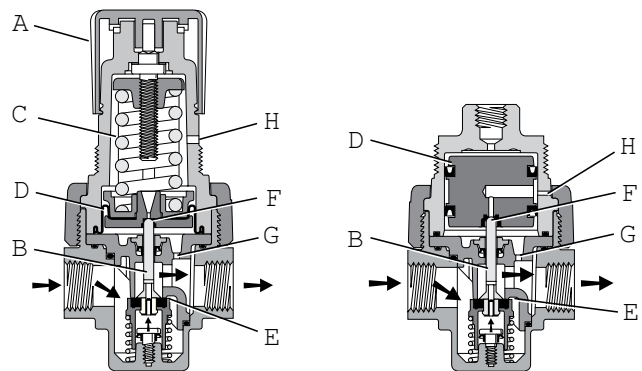
CAUTION:

REGULATOR PRESSURE ADJUSTMENT – The working range of knob adjustment is designed to permit outlet pressures within their full range. Pressure adjustment beyond this range is also possible because the knob is not a limiting device. This is a common characteristic of most industrial regulators, and limiting devices may be obtained only by special design. For best performance, regulated pressure should always be set by increasing the pressure up to the desired setting.

General Purpose Regulators

Used to provide a convenient and low cost method to reduce a supplied air pressure to a desired outlet pressure and transform a fluctuating air supply to a relatively constant reduced air pressure within the operating range of the regulator.

This type of regulator is generally used in a wide variety of applications where reduced pressure is highly desirable for energy conservation, safety requirements, air circuit control and air instrumentation.



Operation

With the adjusting knob (A) turned fully counterclockwise (no spring load), and pressure supplied to the regulator inlet port, the valve poppet assembly (B) is closed. Turning the adjusting knob clockwise applies a load to control spring (C). This load causes the piston / diaphragm (D) and the valve poppet assembly (B) to move downward allowing flow across the seat area (E) created between the poppet assembly and the seat. Pressure in the downstream line is sensed below the piston / diaphragm (D) and offsets the load of spring (C). As downstream pressure rises, poppet assembly (B) and control piston (C) move upward until the area (E) is closed and the load of the spring (C) and pressure under piston / diaphragm (D) are in balance. A reduced outlet pressure has now been obtained, depending on spring load. Creating a demand downstream, such as opening a valve, results in a reduced pressure under the piston / diaphragm (D). The load of control spring (C) now causes the poppet assembly to move downward opening seat area (E) allowing air to flow to meet the downstream demand. The flow of downstream air is metered by the amount of opening (E).

During low flow requirements, the amount of opening at the seat (E) is small, while at high flows it is large. The downstream pressure signal, which regulates the amount of opening, requires an adjustment over this range, in order to attempt a constant output. This adjustment is the orifice (G), which is sized and located in such a manner as to provide a compensation to the downstream pressure signal transmitted to the piston. This effect is called aspiration and its effect is to maintain downstream pressure nearly constant over a wide range of flow demands.

Should downstream pressure exceed the desired regulated pressure, the excess pressure will cause the piston / diaphragm (D) to move upward against control spring (C), open vent hole (F), and vent the excess pressure to atmosphere through the hole in the bonnet (H). (This occurs in the relieving type regulator only.)

A

Product Index
 Engineering Data

Product Index

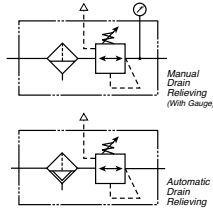
Product Selection Guide

Engineering Data



A
 Product Index
 Engineering Data
 Product Index
 Selection Guide
 Engineering Data

Filter / Regulators

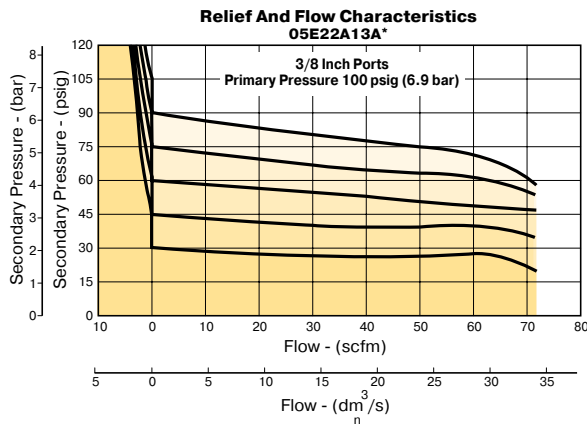


Integral Filter / Regulators are an excellent choice where accurate pressure regulation and high moisture removal efficiency are required in a space saving package.

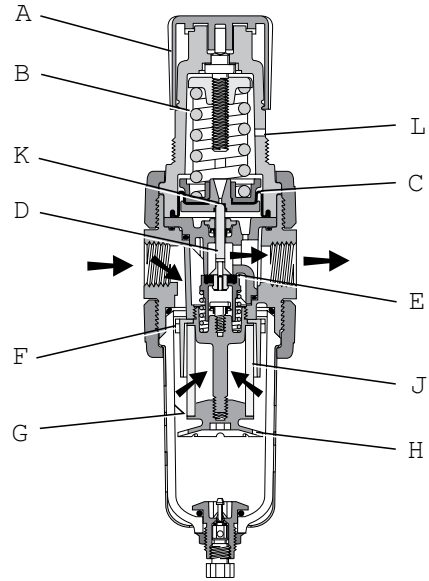
Filter / Regulator Selection

1. Determine maximum system flow requirements.
2. Determine maximum allowable pressure drop at rated flow in scfm.
3. Refer to flow chart and select filter/regulator by choosing the curve that offers minimum pressure drop at desired flow in scfm.

Reading Flow Charts to Size Filter / Regulators



Once the required flow is determined for a pneumatic application the regulator or filter/regulator can be selected by using the flow chart. The chart serves two different purposes. To read the flow, use the right side of the chart. To read the relief characteristics use the left side of the chart. When reading the flow chart, first determine the secondary pressure that will be used. Find the appropriate pressure curve on the graph. Given an acceptable pressure drop for an application, follow the flow curve until it intersects the pressure drop point. This will give the flow at that particular pressure drop.



Operation

Turning the knob (A) clockwise applies a load to control spring (B) which forces the piston/diaphragm (C) and valve poppet assembly (D) to move downward allowing filtered air to flow through the seat area (E) created between the poppet assembly and the seat. "First stage filtration" begins when air pressure supplied to the inlet port is directed through deflector plate (F) causing a swirling centrifugal action forcing liquids and coarse particles to the inner bowl wall (G) and down below the lower baffle (H) to the quiet zone. After liquids and large particles are removed in the first stage of filtration "second stage filtration" occurs as air flows through element (J) where smaller particles are filtered out and retained. The air flow now passes through seat area (E) to the outlet port of the unit. Pressure in the downstream line is sensed below the piston/diaphragm (C) and offsets the load of control spring (B). When downstream pressure reaches the set-point, poppet valve assembly (D) and piston/diaphragm (C) move upward closing seat area (E). Should downstream pressure exceed the desired regulated pressure, the excess pressure will cause the piston/diaphragm (C) to move upward opening vent hole (K) venting the excess pressure to atmosphere through the hole in the bonnet (L). (This occurs in the standard relieving type regulator only.)

⚠ WARNING

**Product rupture can cause serious injury.
 Do not connect regulator to bottled gas.
 Do not exceed Maximum primary pressure rating.**

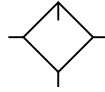
CAUTION:

REGULATOR PRESSURE ADJUSTMENT – The working range of knob adjustment is designed to permit outlet pressures within their full range. Pressure adjustment beyond this range is also possible because the knob is not a limiting device. This is a common characteristic of most industrial regulators, and limiting devices may be obtained only by special design. For best performance, regulated pressure should always be set by increasing the pressure up to the desired setting.



For inventory, lead times, and kit lookup, visit www.pdnplu.com

Micro-Mist Lubricators

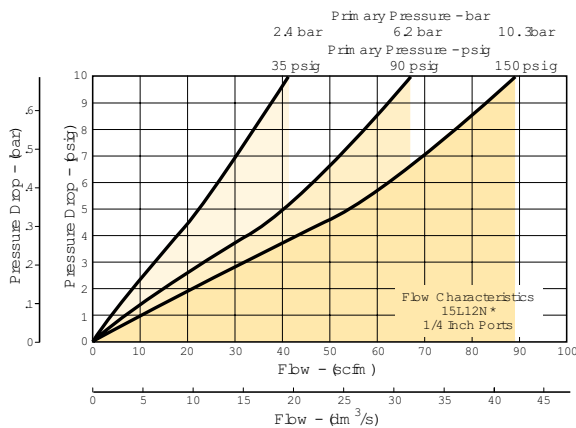


Micro-Mist Air Lubricators are designed to provide optimum and uniform lubrication with fine micro-mist particles of 2 micron or smaller, to pneumatic components even through complex piping arrangements.

Lubricator Selection

1. Determine maximum system flow requirements.
2. Determine maximum allowable pressure drop at rated flow in scfm.
3. Refer to flow chart and select lubricator by choosing the curve that offers minimum pressure drop at desired flow in scfm.

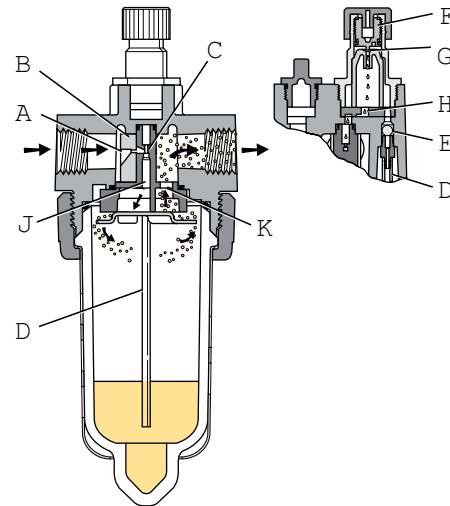
Reading Flow Charts to Size Micro-Mist Lubricators



Once the required flow is determined for a pneumatic application the lubricator can be selected by using the flow chart. To read the lubricator flow chart, first determine the inlet pressure that will be used. Find the appropriate pressure curve on the graph. Each graph will contain three pressure curves. If the required inlet pressure is not on the graph, interpolate a similar curve for the required pressure. Next, determine the acceptable pressure drop across the lubricator and locate it on the vertical axis. Find the intersection point of the acceptable pressure drop and the inlet pressure curve. At this point follow a vertical path downward to view the flow in scfm.

If the flow is too low, select a larger port size or body size to give the required flow. If the flow is higher than necessary, select a smaller port size or body size to give the required flow.

The Micro-Mist lubricators inject a micro-mist of oil into the flowing air stream to automatically provide the correct amount of internal lubrication for air tools and other pneumatic devices. This type of lubricator can be precisely adjusted to a very low oil flow rate because only a portion of the oil drops seen in the sight dome goes downstream. The lubricator should be used where only a very minute amount of lubricant is desirable or where it is necessary for the oil to remain in suspension in the air stream for long distances.



Operation

Air flowing through the unit goes through two paths. At low air flow rates, the majority of the air flows through venturi section (A). The rest of the air slightly deflects and flows by the flapper (B). The velocity of the air flowing through venturi section (A) creates a pressure drop at throat section (C). This lower pressure allows oil to be forced from the reservoir through the pickup tube (D) past the check ball (E), to the dome assembly where the rate of oil flow is controlled by metering screw (F). Rotation of the metering screw (F) in the counterclockwise direction increases the oil flow rate; in the clockwise direction decreases the oil flow rate.

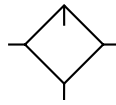
Oil then flows through the clearance between the inner and outer sight domes (G) where drops are formed and drip into the nozzle tube (H). Here it is then broken into fine particles as it expands into the low pressure venturi. From there, the atomized oil flows through the precision orifice (J). This action causes the larger particles of oil to fall back into the reservoir where it can recirculate through the system. The remaining mist of fine particles (5 micron or smaller – about 3% of which passed through the sight dome) is then carried through opening (K) where it joins and mixes with air that bypassed the flapper (B). As air flow rate increases, the flapper (B) deflects, allowing most of the inlet air to bypass the venturi section (A).

However, a proportion of the inlet air passes through the venturi, assuring that oil delivery increases linearly with increased air flow rate. This proportioning method is advantageous at low inlet flows because the venturi design remains efficient.

The check ball (E) prevents reverse oil flow down the pickup tube when air flow stops. Thus, oil delivery can resume immediately when air flow restarts. **Micro-Mist Lubricators can only be filled when the air supply is shut off.**

A
 Engineering Data
 Product Index
 Product Index
 Product Selection Guide
 Engineering Data

Mist Lubricators

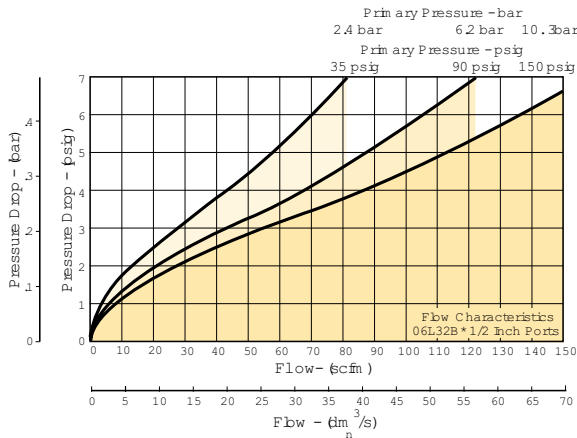


Mist Air Lubricators are designed to provide lubrication for most general applications in a pneumatic system. Units should be installed close to the application ensuring effective distribution of oil to pneumatic components.

Lubricator Selection

1. Determine maximum system flow requirements.
2. Determine maximum allowable pressure drop at rated flow in scfm.
3. Refer to flow chart and select lubricator by choosing the curve that offers minimum pressure drop at desired flow in scfm.

Reading Flow Charts to Size Mist Lubricators



Once the required flow is determined for a pneumatic application the lubricator can be selected by using the flow chart. To read the lubricator flow chart, first determine the inlet pressure that will be used. Find the appropriate pressure curve on the graph. Each graph will contain three pressure curves. If the required inlet pressure is not on the graph, interpolate a similar curve for the required pressure. Next, determine the acceptable pressure drop across the lubricator and locate it on the vertical axis. Find the intersection point of the acceptable pressure drop and the inlet pressure curve. At this point follow a vertical path downward to view the flow in scfm.

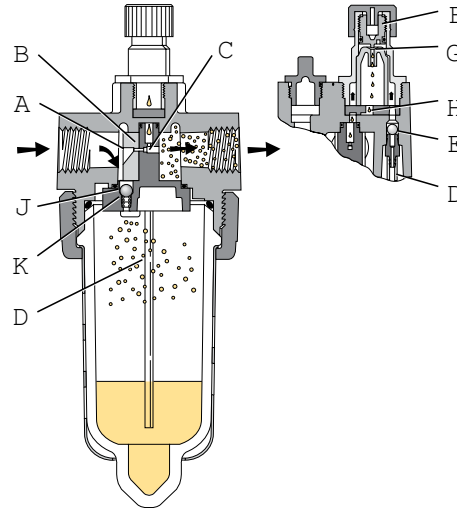
If the flow is too low, select a larger port size or body size to give the required flow. If the flow is higher than necessary, select a smaller port size or body size to give the required flow.

F442 Oil



Quantity	Part numbers
1 Quart	F442001
1 Gallon	F442002
12 Quart Case	F442003
4 Gallon Case	F442005

These lubricators inject an oil aerosol into the flowing air stream to automatically provide the proper amount of internal lubrication to air operated tools or other pneumatic devices.



Operation

Air flowing through the unit goes through two paths. At low air flow rates, the majority of the air flows through venturi section (A). The rest of the air slightly deflects and flows by the flapper (B), restrictor disc (M) on the 09L. The velocity of the air flowing through venturi section (A) creates a pressure drop at throat section (C). This lower pressure allows oil to be forced from the reservoir through the pickup tube (D) past the check ball (E), to the dome assembly where the rate of oil flow is controlled by metering screw (F). Rotation of the metering screw (F) in the counterclockwise direction increases the oil flow rate; in the clockwise direction decreases the oil flow rate. Oil then flows through the clearance between inner and outer sight domes (G) where drops are formed and drip into the nozzle tube (H). On the 09L, oil flows through the drip tube (F) where drops are formed and drip into the throat section (C). Here it is then broken into fine particles and mixed with the swirling air to be carried to the venturi outlet where it joins the air by passing the flapper (B), (M). As air flow rate increases, the flapper (B), (M) deflects, allowing a greater part of the additional air to bypass the venturi section (A). This assures the oil delivery rate increases linearly with increased air flow rate. The check ball (E) assures that when there is no oil flow the oil in the pickup tube does not return to the reservoir.

The bowl can be filled under pressure due to the action of the check ball (J). When the fill cap is removed, air in the bowl escapes and pressure forces the check ball (J) to nearly seal at (K). When the fill cap is replaced, the small amount of air flow past check ball (J) builds up pressure and together with the spring forces the check ball (J) off seat (K), letting full line pressure into the bowl.

Petroleum based oil of 100 to 200 SSV viscosity at 100°F and an aniline point greater than 200°F

(DO NOT USE OILS WITH ADDITIVES, COMPOUNDED OILS CONTAINING SOLVENTS, GRAPHITE, DETERGENTS, OR SYNTHETIC OILS.)

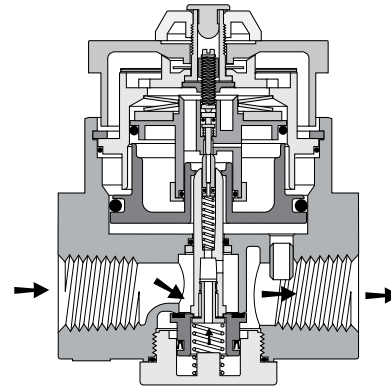


For inventory, lead times, and kit lookup, visit www.pdnplu.com

Dial Regulator

The Dial Regulator is a constant bleed, piston operated regulator. The pilot controlled pressure reducing valve provides exceptionally high air flow with steady pressure control and minimal secondary pressure drop. The non-rising adjustment knob provides quick selection of the desired secondary pressure in less than one full turn. The adjustment knob also can serve as the pressure indicator thereby eliminating the need for a pressure gauge.

This regulator is specifically designed for applications requiring more accurate air circuit control, high air flow capacity with flat performance curves and quick regulator adjustment. The regulator can be used as a conventional regulator for standard air circuits or as a pilot regulator to provide pressure to the control chamber of a pilot operated (slave) regulator.



Operation

To set the regulator, turn the large dial adjustment knob to the desired secondary set pressure. This opens the pilot valve seat allowing air flow into the control chamber which forces the lower piston downward against the relief seat and opens the main valve. At the same time, the air in the control chamber forces the upper piston upward against Belleville springs which closes the pilot valve seat when the set pressure is attained. Secondary pressure in the chamber is now balanced against the control pressure through the lower piston. If demand flow increases, the constant control pressure will force the lower piston and the main valve further downward, and allow more flow downstream. A higher than desired secondary pressure will force the lower piston upward, closing the main valve seat and opening the main relief valve seat thereby allowing air to relieve to the atmosphere. For best performance, regulated pressure should always be set by increasing the pressure up to the desired setting.

⚠ WARNING

**Product rupture can cause serious injury.
Do not connect regulator to bottled gas.
Do not exceed Maximum primary pressure rating.**

A

Product Index
Engineering Data

Product
Index

Product
Selection
Guide

Engineering
Data

A

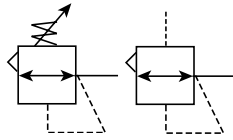
Product Index
 Engineering Data

Product Index

Product Selection Guide

Engineering Data

Precision Regulators

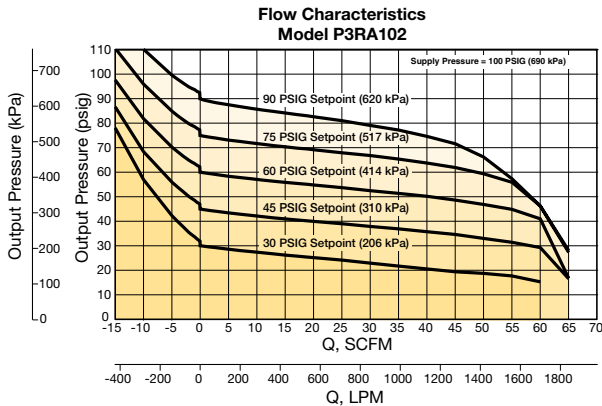


Air regulators are designed to provide quick response and accurate pressure regulation for the most demanding industrial applications.

Regulator Selection

1. Determine maximum system flow requirements.
2. Determine maximum allowable pressure drop at rated flow in scfm.
3. Refer to flow chart and select regulator by choosing the curve that offers minimum pressure drop at desired flow in scfm.

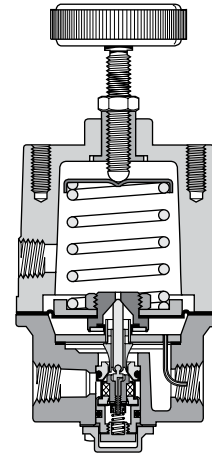
Reading Flow Charts to Size Regulators



Once the required flow is determined for a pneumatic application the regulator or filter/regulator can be selected by using the flow chart. The chart serves two different purposes. To read the flow, use the right side of the chart. To read the relief characteristics use the left side of the chart. When reading the flow chart, first determine the secondary pressure that will be used. Find the appropriate pressure curve on the graph. Given an acceptable pressure drop for an application, follow the flow curve until it intersects the pressure drop point. This will give the flow at that particular pressure drop.

Precision Regulator

For use in applications that require reliable performance and accurate pressure control. This type of regulator is generally used for material handling systems, flow and temperature controllers, critical air control circuits, medical and scientific test equipment, and valve positioners.



Operation

Set the desired secondary pressure by turning the adjustment knob clockwise. This action increases the regulating spring force against the top of the diaphragm disc. When the spring force above exceeds the air pressure beneath the diaphragm, it is transmitted by the valve stem and opens the valve. Airflow through the regulator now occurs.

A precisely designed and positioned aspirator tube constantly transmits the secondary pressure to the under side of the diaphragm so that during flow conditions any pressure loss can be quickly compensated for. When flow is no longer required, the outlet pressure increases slightly, allowing the diaphragm to rise, the valve to close, and set pressure to be maintained.

On self-relieving models, if outlet pressure should increase above the set pressure, the diaphragm will rise therefore opening the relief seal between the diaphragm and the valve. The excess outlet pressure is then vented through the diaphragm orifice into the bonnet and subsequently to the atmosphere through an orifice in the bonnet. For best performance, regulated pressure should always be set by increasing the pressure to the desired setting.

⚠ WARNING

**Product rupture can cause serious injury.
 Do not connect regulator to bottled gas.
 Do not exceed Maximum primary pressure rating.**

CAUTION:

REGULATOR PRESSURE ADJUSTMENT – The working range of knob adjustment is designed to permit outlet pressures within their full range. Pressure adjustment beyond this range is also possible because the knob is not a limiting device. This is a common characteristic of most industrial regulators, and limiting devices may be obtained only by special design. For best performance, regulated pressure should always be set by increasing the pressure up to the desired setting.



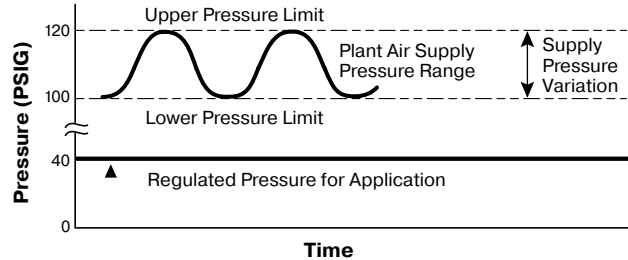
For inventory, lead times, and kit lookup, visit www.pdnplu.com

Precision Regulators Application Guide

Pneumatic pressure regulators are designed to provide a constant pressure output from a fluctuating supply pressure – much the way an electronic voltage regulator works. Pressure regulators provide varying degrees of accuracy with regard to their reduced pressure output. General Purpose pressure regulators work for most fluid power applications. However, for more pressure-critical applications precision regulators can provide the customer with the control they need.

A partial listing of things that can potentially cause regulator output pressure variation are:

- Temperature changes
- Inlet pressure changes
- Variations in flow
- Excess downstream pressure
- Cycling
- Time
- Leakage



Who needs precision regulators?

Design level applications:

When designing a pneumatic system it is important to determine not only the air flow that the application will require but also the acceptable level of pressure variation. Some pneumatic applications cannot tolerate fluctuations in pressure. These applications can include static situations with only a steady pressure maintained, or dynamic flow situations involving any number of changing variables in play while trying to maintain a constant pressure.

Problem solving device for existing applications:

Sometimes an existing pneumatic application does not meet the customer’s needs with regards to pressure control and/or stability. Any or all of the variables listed above can cause issues with pressure stability. As applications are expanded, added on to, or modified the pressure and flow requirements can change.

How do precision regulators differ from general purpose pneumatic regulators?

Examples →	High Precision Regulators P3RA302, P3RA102, P3RA102BP, P3RA171	Semi-Precision Regulators 27R, Dial Regulators, R216	General Purpose Regulators 05R, 06R, 07R, P3NR, R119
Sensitivity: Reduced pressure repeatability/variation under no-flow condition	.005 to .010 psig (1/8" to 1/4" of water column)	1 to 2 psig	3 to 4 psig
Regulator’s ability to control back pressure accurately: *key for cylinder applications	Begins to relieve at .005 to .010 psig overpressure	Begins to relieve at .5 to 2 psig overpressure	Begins to relieve at 5 to 10 psig overpressure
Regulator’s ability to maintain set pressure under varying flow, input pressure, temperature conditions:	High	Medium	Standard
Constant Bleed - does the regulator constantly bleed a small volume of air to the atmosphere to maintain stability?	Yes	Yes	No

1" Water Column = .0360 PSI

1 psi = 27.7612 Inches Water Column

Application Chart

Original Equipment Manufacturers (OEMs)

Air Gauging	Manufacturers of Air Gauging Equipment.
Anesthesia Equipment	Manufacturers
Calibration Stands	Similar to Test Stands
Clamping Pressure Control	End Effect Grippers, Roll Loading
Control Panels	Manufacturers and Users
Coordinate Measuring Machines	Manufacturers use in Force Counterbalance Applications in Z-axis
Dispensing Equipment	Adhesive, Paint, or any other form of Liquid or Gas
Food Process Machinery	Manufacturers
Gas Analyzers	Used for Reference and Calibration Air Pressures
Ink or Paint Robotics Spraying Systems	Manufacturers use to Maintain an Even Pressure on System
Leak Testing Equipment	Manufacturers of Equipment that Detects Leaks (i.e., Plastic Bottles)
Medical Equipment	Manufacturers that Utilize for Blood Processing and Sampling as Examples
Oxygen Ventilators	Manufacturers
Pharmaceutical Process Machinery	Pill or Tablet Making Machines
Phone Cable Pressurization Systems	Manufacturers
Polishing Machinery	Used to Maintain Even Pressure on Polishing Head
Semi-conductor Manufacturing Machinery	Manufacturers
Smoke Stack Analyzers	Used for Reference and Calibration Air Pressures
Soil or Environmental Analysis Equipment	Used for Reference and Calibration Air Pressures
Tank Blanketing	Maintain Pressure on Top Level of a Tank or Storage Vessel
Test Equipment	Similar to Test Stands
Test Stands	Manufacturers of Test Stands, Laboratory Test Stands, Engineering Test Stands, Production Test Stands
Tool Balancers High Application. Used as helps suspend the when not in use.	Manufacturers of Tool Balancers, Manipulators, and Articulating Arms use Relief Capacity Precision Regulators in a Force-balancing part of a Pneumatic Counter-balance System, the Regulator tool in the air and then makes it easy to move out of the way
Web Tensioning	Machinery Builders for Printing Presses, Paper Converting, Packaging, Textiles, Plastics. Primarily Unwind Stands and Rewind Stands.

System Integrators

Automation Integrators	Anyone Involved in Designs or Projects that Automate Processes
------------------------	--

Energy Controls Systems

HVAC	Anyone who would be involved in Designs that would include Damper and Louvre Control for HVAC Applications
------	--

End Users

Instrumentation Supervisors
Instrumentation Technicians
Project Engineers
Store Room Supervisors

MRO

Chemical
Petrochemical
Pulp & Paper
Food & Drug
Refineries
Power
Mining
Oil & Gas

A

Product Index
Engineering Data

Product Index

Product Selection Guide

Engineering Data



For inventory, lead times, and kit lookup, visit www.pdnplu.com

Parker is protecting your most valuable assets...


A


Product Index
 Engineering Data



Product Index

Product Selection Guide

Engineering Data

 www.osha.gov	<ul style="list-style-type: none"> • This applies to the servicing and maintenance of a machine or equipment. • Any new, replacement, repair, or renovation to a machine must include an energy isolation device that can accept a lock out device. • Lock out devices should not be used for any other purposes • Verification of energy isolation is required
<p>Standard 190.147</p>	

	<ul style="list-style-type: none"> • This applies to all machines • Lockout / tagout is the primary method of hazardous energy control • Machines shall be designed, manufactured, supplied, and installed with energy isolating devices
<p>Standard Z244</p>	

	<ul style="list-style-type: none"> • B 11.0 applies to a broad range of machines, B 11. TR6 is specific to machine tools, and B 155. 1 is specific to packaging and converting machines • Energy isolating device shall: <ul style="list-style-type: none"> – Be capable of being locked in the OFF position only – Be easy to operate – Have an exhaust port equal or greater than its supply port – Have a pressure indicator that is visible to an operator to verify line is relieved of pressure
	

...By offering the best in pneumatic safety for machine maintenance:



Traditional Ball Valve

- Not a dedicated energy isolation device** 6
- Not a full exhaust port** 6
- No verification of line exhaust** 6
- Can be locked ON** 6
- Not easily identifiable** 6



Parker Solution

- Dedicated energy isolation device** 4
- Full exhaust port** 4
- Verification of line exhaust** 4
- Only lockable in OFF position** 4
- Easily identifiable** 4



A

Product Index
Engineering Data

Product Index

Product Selection Guide

Engineering Data

Compressed air and its purification from generation to application

Compressed air is an essential power source that is widely used throughout industry. This safe, powerful and reliable utility can be the most important part of your production process. However, your compressed air will contain water, dirt, wear particles and even degraded lubricating oil which all mix together to form an unwanted condensate. This condensate often acidic, rapidly wears tools and pneumatic machinery, blocks valves and orifices causing high maintenance and costly air leaks. It also corrodes piping systems and can bring your production process to an extremely expensive standstill!

The quality of air required throughout a typical compressed air system can vary.

It is highly recommended that the compressed air is treated prior to entry into the distribution system as well as at each usage point or application.

This approach to system design provides the most cost effective solution to system purification as it not only removes the contamination already in the distribution system, it ensures that only the most critical areas receive air treated to the highest level.

In many instances the compressed air system will be supplying air to more than one application and although the purification equipment specified in the compressor room would remain unchanged, the point of use protection will vary depending upon the air quality requirements of each application.

In many cases this action alone is not enough, as modern production systems and processes demand an even higher level of air quality. Where required, "point of use" filtration, refrigeration or desiccant air dryers can provide the correct air quality, without the need for drying the complete compressed air installation, which can be both costly and totally unnecessary.

Sources of contamination found in a compressed air system

Contaminants in a compressed air system can generally be attributed to the following:

The quality of air being drawn into the compressor
Air compressors draw in a large volume of air from the surrounding atmosphere containing large numbers of airborne contaminants.

The type and operation of the air compressor
The air compressor itself can also add contamination, from wear particles to coolants and lubricants.

Compressed air storage devices and distribution systems
The air receiver and system piping are designed to store and distribute the compressed air. As a consequence, they will also store the large amounts of contaminants drawn into the system. Additionally, piping and air receivers will also cool the moist compressed air forming condensate which causes damage and corrosion.

Atmospheric dirt

Atmospheric air in an industrial environment typically contains 183 million per yd³ (140 million per m³) of dirt particles. 80% of these particles are less than 2 microns in size and are too small to be captured by the compressor intake filter, therefore passing directly into the compressed air system.

Water vapor, condensed water and water aerosols

Atmospheric air contains water vapor (water in a gaseous form). The ability of compressed air to hold water vapor is dependent upon its temperature. The higher the temperature, the more water vapor that can be held by the air. During compression, the air temperature is increased significantly, which allows it to easily retain the incoming moisture. After the compression stage, air is normally cooled to a usable temperature. This reduces the air's ability to retain water vapor, resulting in a proportion of the water vapor being condensed into liquid water which is removed by a condensate drain fitted to the compressor after-cooler. The air leaving the after-cooler is now 100% saturated with water vapor and any further cooling of the air will result in more water vapor condensing into liquid water. Condensation occurs at various stages throughout the system as the air is cooled further by the air receiver, piping and the expansion of valves, cylinders, tools and machinery. The condensed water and water aerosols cause corrosion to the storage and distribution system, damage production equipment and the end product. It also reduces production efficiency and increases maintenance costs. Water in any form must be removed to enable the system to run correctly and efficiently.

Rust and pipescale

Rust and pipescale can be found in air receivers and the piping of "wet systems" (systems without adequate purification equipment) or systems which were operated "wet" prior to purification being installed. Over time, this contamination breaks away to cause damage or blockage in production which can also contaminate final product and processes.

Micro-organisms

Bacteria and viruses will also be drawn into the compressed air system through the compressor intake and warm, moist air provides an ideal environment for the growth of micro-organisms. If only a few micro-organisms were to enter a clean environment, a sterile process or production system, enormous damage could be caused that not only diminishes product quality, but may even render a product entirely unfit for use and subject to recall.

Liquid oil and oil aerosols

Most air compressors use oil in the compression stage for sealing, lubrication and cooling. During operation, lubricating oil is carried over into the compressed air system as liquid oil and aerosols. This oil mixes with water vapor in the air and is often very acidic, causing damage to the compressed air storage and distribution system, production equipment and final product.

Oil vapor

In addition to dirt and water vapor, atmospheric air also contains oil in the form of unburned hydrocarbons. The unburned hydrocarbons drawn into the compressor intake as well as vaporized oil from the compression stage of a lubricated compressor will carry over into a compressed air system where it can cool and condense, causing the same contamination issues as liquid oil.



For inventory, lead times, and kit lookup, visit www.pdnplu.com

Compressed air quality standards – ISO 8573

ISO 8573 is the group of International standards relating to the quality of compressed air and consists of nine separate parts. Part 1 specifies the quality requirements of the compressed air and parts 2 - 9 specify the methods of testing for a range of contaminants.

ISO 8573.1 : 2010 is the primary document used from the ISO 8573 series and it is this document which allows the user to specify the air quality or purity required at key points in a compressed air system.

ISO8573-1 lists the main contaminants as Solid Particulate, Water and oil. The purity levels for each contaminant are shown in separate tables, however for ease of use, this document combines all three contaminants into one easy to use table.

ISO8573-1:2010 Class	Solid Particulate			Water		Oil	
	Maximum number of particles per m ³			Concentration	Vapor	Liquid	Total oil (aerosol, liquid and vapor)
	0.1 - 0.5 micron	0.5 - 1 micron	1 - 5 micron	mg/m ³	Pressure Dewpoint	g/m ³	ppm (mg/m ³)
0	As specified by the equipment user or supplier and more stringent than Class 1						
1	≤ 20,000	≤ 400	≤ 10	—	≤ -94°F (-70°C)	—	0.008 (0.01)
2	≤ 400,000	≤ 6,000	≤ 100	—	≤ -40°F (-40°C)	—	0.08 (0.1)
3	—	≤ 90,000	≤ 1,000	—	≤ -4°F (-20°C)	—	0.83 (1)
4	—	—	≤ 10,000	—	≤ 37°F (3°C)	—	4.2 (5)
5	—	—	≤ 100,000	—	≤ 45°F (7°C)	—	—
6	—	—	—	≤ 5	≤ 50F (10°C)	—	—
7	—	—	—	5 - 10	—	≤ 0.5	—
8	—	—	—	—	—	0.5 - 5	—
9	—	—	—	—	—	5 - 10	—
X	—	—	—	≤ 10	—	≤ 10	≤ 10

Specifying air purity in accordance with ISO 8573-1:2010

When specifying the purity of air required, the standard must always be referenced, followed by the purity class selected for each contaminant (a different purity class can be selected for each contaminant if required). An example of how to write an air quality specification is shown below:

Example:
ISO 8573-1:2010 Class 1.2.1

ISO8573-1:2010 refers to the standard document and its revision, the three digits refer to the purity classifications selected for solid particulate, water and total oil. Selecting an air purity class of 1.2.1 would specify the following air quality when operating at the standard's reference conditions:

Class 1, Particulate

In each cubic meter of compressed air, the particulate count should not exceed 20,000 particles in the 0.1 - 0.5 micron size range, 400 particles in the 0.5 - 1 micron size range and 10 particles in the 1 - 5 micron size range.

Class 2, Water

A pressure dewpoint (PDP) of -40°F (-40°C) or better is required and no liquid water is allowed.

Class 1, Oil

In each cubic meter of compressed air, not more than 0.01mg of oil is allowed. This is a total level for liquid oil, oil aerosol and oil vapor.

Cost effective system design

To achieve the stringent air quality levels required for today's modern production facilities, a careful approach to system design, commissioning and operation must be employed.

Treatment at one point alone is not enough and it is highly recommended that the compressed air is treated in the compressor room to a level that will provide general purpose air to the site and also protect the distribution piping.

Point of use purification should also be employed, not only to remove any contamination remaining in the distribution system, but also with specific attention on the quality of air required by each application. This approach to system design ensures that air is not "over treated" and provides the most cost effective solution to high quality compressed air.

A

Product Index
Engineering Data

Product Index

Product Selection Guide

Engineering Data



For inventory, lead times, and kit lookup, visit www.pdnplu.com

A

Product Index
Engineering Data

Product Index

Product Selection Guide

Engineering Data

Up to 99% of the total liquid contamination found in a compressed air system is water.

Oil is perceived to cause the most problems as it is seen emanating from open drain points and exhausting valves, however, in the majority of instances, it is actually oily condensate (oil mixed with water) that is being observed.

How much water can be found in a typical compressed air system?

The amount of water in a compressed air system is staggering. A small 100 scfm (2.8m³/min) compressor and refrigeration dryer combination, operating for 4,000 hours in typical climatic conditions can produce approximately 2,200 gallons (8,328 liters) of liquid condensate per year.

If the compressor is oil lubricated with a typical 2ppm (2 mg/m³) oil carryover, then although the resulting condensate would visually resemble oil, oil would in fact account for less than 0.1% of the overall volume and it is this resemblance to oil to which a false association is made.

The example above assumes uses a small compressor to highlight the large volume of condensate produced. If a compressed air system was operated in warmer, more humid climates, or with larger compressors installed, running for longer periods, the volume of condensate would increase significantly.

Contamination and types of compressors

It is often believed that the level of compressed air purification equipment required in a system is dependent upon the type of compressor used. Contamination in a compressed air system originates from many sources and is not related solely to the compressor or its lubricants. No matter what compressor type is selected, adequate filtration and separation products will be required to remove the large volume of dirty contaminated water as well as the dirt, rust, pipescale and microbiological contamination in the system.

Preventative maintenance provides you with the following benefits:

- Lowest operating costs
- Superior compressed air quality
- Continued protection of downstream equipment and processes
- Peace of mind

Compressed air and its purification

Having identified the different types of contamination that can be found within a compressed air system, we can now examine the purification technologies available for its removal.

Particle and coalescing filters

Coalescing filters are probably the most important items of purification equipment in any compressed air system. They are designed to remove oil and water aerosols using mechanical filtration techniques and have the additional benefit of removing solid particulate to very low levels (as small as 0.01 micron in size). Installed in pairs, most users believe one to be an oil removal filter and the other to be a particulate filter, when in fact, the pair of filters both perform the same function. The first filter, a general purpose filter is used to protect the high efficiency filter against bulk contamination. This "dual filter" installation ensures a continuous supply of high quality compressed air with low operational costs and minimal maintenance time.

Bulk liquid removal high efficiency water separators

Used to protect filters in systems where excessive cooling takes place in distribution piping. Water Separators will remove in excess of 98% of bulk liquid contamination through centrifugal separation techniques.

Refrigeration dryers

Refrigeration dryers work by cooling the air, so are limited to positive pressure dewpoint ratings to prevent freezing of the condensed liquid. Ideal for general purpose applications, they typically provide pressure dewpoints of 38°F (3°C), 45°F (7°C) or 50°F (10°C) pdp. Air is reheated before it re-enters the system to prevent piping from "sweating" in humid conditions. Refrigeration dryers are not suitable for installations where piping is installed in ambient temperatures below the dryer dewpoint i.e. systems with external piping.

Adsorption (desiccant) dryers

Water vapor is water in a gaseous form and is removed from compressed air using a dryer, with dryer performance being measured as pressure dewpoint. Adsorption or desiccant dryers remove moisture by passing air over a regenerative adsorbent material which strips the moisture from the air. This type of dryer is extremely efficient and typical pressure dewpoint ratings are -40°F (-40°C) or -100°F (-70°C) pdp. This means that for water vapor to condense into a liquid, the air temperature would have to drop below -40°F (-40°C) to -100°F (-70°C) respectively (the actual air temperature after an adsorption dryer is not the same as its dewpoint).

Beneficially, a pressure dewpoint of -15°F (-26°C) or better will not only prevent corrosion, but will also inhibit the growth of microorganisms within the compressed air system.

Important note regarding compressed air dryers

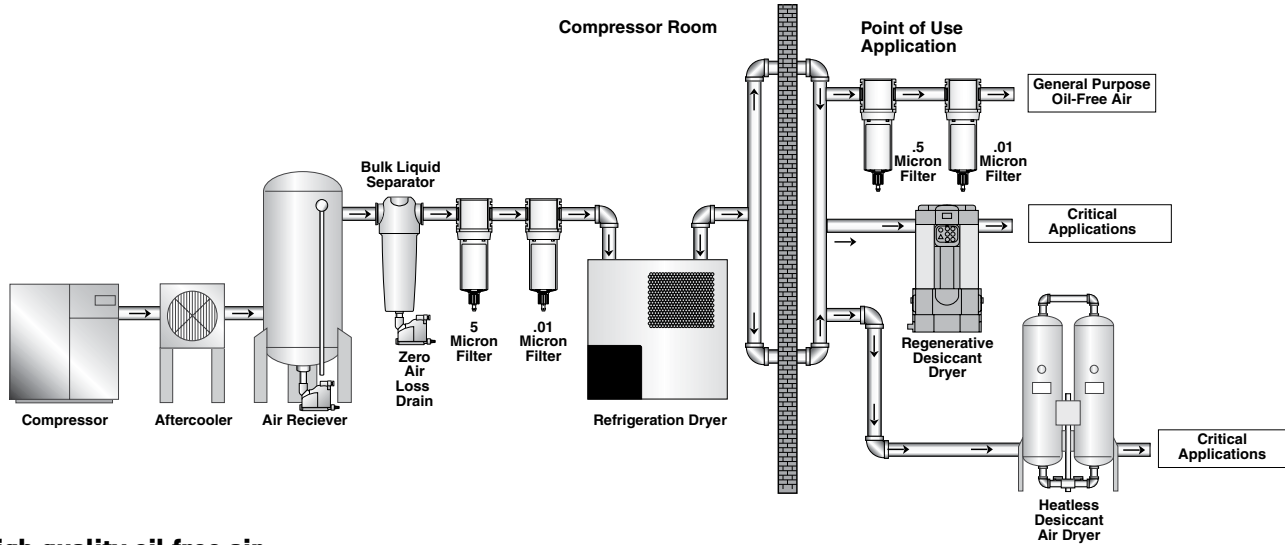
As adsorption and refrigeration dryers are designed to remove only water vapor and not water in a liquid form, they require the use of particulate and coalescing filters, and possibly a bulk liquid separator to work efficiently.

General purpose oil free air

Bulk contamination is removed to an adequate level prior to the air entering the distribution system. Point of use particulate filter(s) are used for removal of contamination within the distribution system. Point of use adsorption dryer installed where lower dewpoints are required.

Typical applications

- Plant automation
- Air logistics
- Pneumatic tools
- General instrumentation
- Air conveying
- Air motors
- Temperature control systems
- Blow guns
- Gauging equipment
- Raw material mixing
- Sand / bead blasting

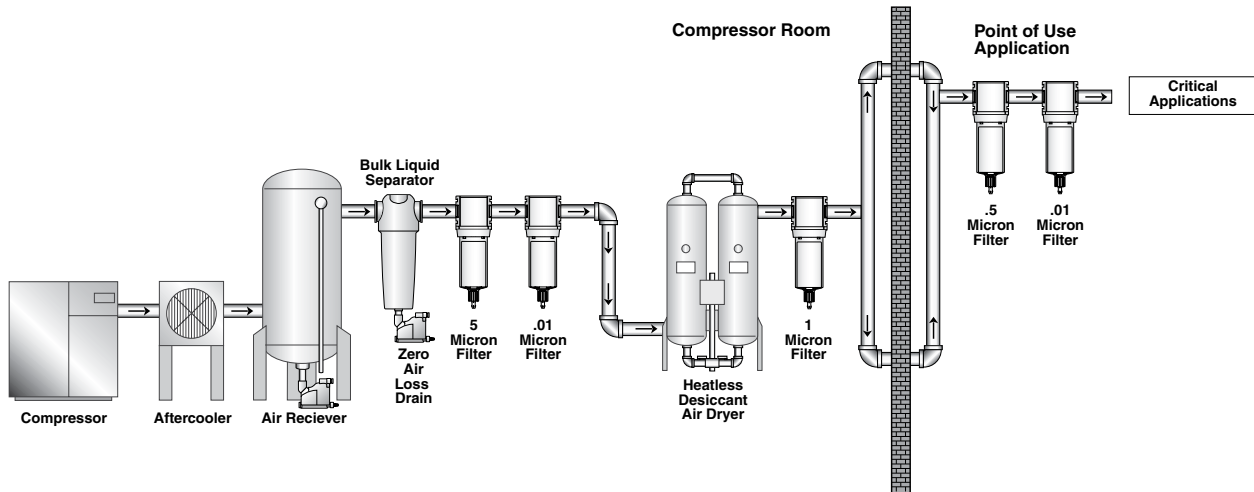


High quality oil free air

Bulk contamination is removed to an adequate level prior to the air entering the distribution system. Point of use particulate filter(s) are used for removal of contamination within the distribution system. Adsorption dryers are used for critical applications where lower dewpoints are required.

Typical applications

- Blow molding of plastics e.g. P.E.T. bottles
- Film processing
- Critical instrumentation
- Advanced pneumatics
- Air blast circuit breakers
- Decompression chambers
- Cosmetic production
- Medical air
- Dental air
- Lasers and optics
- Robotics
- Spray painting
- Air bearings
- Pipeline purging
- Measuring equipment



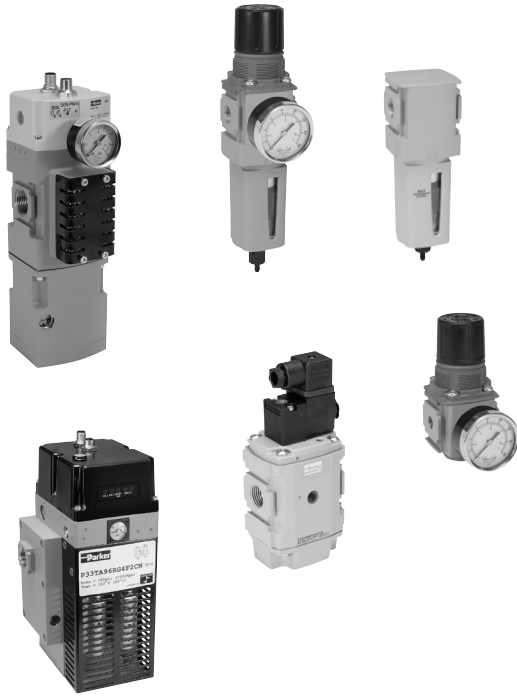
A
Product Index Engineering Data
Product Index
Product Selection Guide
Engineering Data

A

**Product Index
Engineering Data**



For inventory, lead times, and kit lookup, visit www.pdnplu.com



Air Preparation Products
Global Air Preparation Series

Introduction	B2-B7
Particulate Filters	B8-B13
Coalescing Filters	B14-B19
Regulators	B20-B31
Proportional Regulators	B32-B41
Filter / Regulators	B42-B49
Lubricators	B50-B55
Combinations	B56-B59
Dump Valves / Soft Start Valves	B60-B65
Safety Exhaust Valve	B66-B69
Redundant Safety Exhaust Valve	B70-B73
Accessories	B74-B84

Introduction

**Air Preparation Products
Global Air Preparation**

B
Global Air Preparation
Introduction
Filters
Coalescers
Regulators
Filter / Regulators
Lubricators
Combinations
Accessories and Kits



DECLARATION OF COMPLIANCE (ROHS)

European Directive 2011/65/EU – RoHS (Restriction of certain Hazardous Substances in electrical and electronic equipment), restricts the use of the 6 substances in the manufacture of specified electrical equipment.

Lead: Product containing lead and its compound (except for applications of lead as an alloying element by weight in steel up to 0.35%, in aluminium up to 0.4% and in copper alloys up to 4% and in circuit board solder) must not exceed 0.1% by weight

Mercury: The concentration level must not exceed 0.1% by volume

Cadmium: The concentration level must not exceed 0.01% by volume

Hexavalent Chromium:
This is a corrosive protective finish used on our product line. Where this finish is utilized the Chromate solution is Hexavalent (Chrome 6) free.

Polybrominated Biphenyls (PBB):
The concentration level must not exceed 0.1% by weight. This substance is not known to be in any of our products.

Polybrominated Diphenyl Esters (PBDE):
The concentration level must not exceed 0.1% by weight. This substance is not known to be in any of our products.



Global Air Preparation products supplied by Parker Hannifin have been designed and manufactured in accordance with "sound engineering practice", as defined by Article 3 of Pressure Equipment Directive 97/23/EC.



Global Air Preparation product range is in compliance with REACH to ensure continued compliance additions to the list of SVHC (Substance of Very High Concern) are reviewed periodically.

Global Air Preparation product range has been third party Shock & Vibration tested independently in accordance to EN 61373 : 1999, Category 2



Following Ignition Hazard Assessments performed on the non-electrical Global Air Preparation products they are in accordance with the requirements of EN 13463-1:2009, it was considered that the equipment does not contain its own source of ignition, and therefore is not within the scope of directive 94/9/EC.

The products can be used in a Group II Category 2 environment assuming that the ATEX Directive and the following conditions are complied with:

- Installation and maintenance of the product must be undertaken by qualified personnel.
- Do not mount the products in an area where impact may occur.
- Filters must be used to limit the introduction of particles and to capture particles generated in service.
- Supply air quality must be within ISO 8573-1:2010 Class 1.4.2.
- Maximum working temperature to be as stated on product label.
- WARNING – pulsating pressure and/or a closed circuit can generate heat.
- Deposits of dust on the product must not exceed 5mm thickness.
Refer to technical file for surface areas of plastics. The unit must be earthed via the compressed air supply line.
- The unit must not come into contact with liquid solvents, acids or alkalis
Refer to technical file for chemicals known to be incompatible. Product cleaning must be undertaken using a method complying with the specifications of the ATEX zone, preferably by using mild soap and water or antistatic products.
- Regulators, Filter Regulators:
Do not use Regulators or Filter Regulators within systems that can create vibration within the Regulator / Filter Regulator unit.
- Solenoid Operated Valves:
Are suitable for use in an ATEX environment, (Group II Category 2) providing ATEX approved solenoids are fitted.
- Technical file available on request.



Global Air Preparation product range has been designed and tested in accordance with ISO flow testing, envelope integrity, and catalog data presented.

- Filters – ISO 5782-1 & ISO 5782-2: 1997
- Regulators- ISO 6953-1 & ISO 6953-2: 2000
- Lubricators- ISO 6301-1 & ISO 6301-2: 2009



For inventory, lead times, and kit lookup, visit www.pdnplu.com



Parker Global Air Preparation System

**Global.
Modular.**



*Performance you need,
wherever you need it.*

Full featured particulate and coalescing filters, regulators, filter/regulators, and lubricators are available with a wide range of standard options to meet air preparation needs.

The comprehensive Global Air Preparation System is available in three body sizes with either BSPP, BSPT, or NPT to accommodate thread type requirements.

Individual units can easily be assembled into various combinations, utilizing patented modular lightweight body connectors.

www.parker.com/globalfrl

B

Global Air Preparation

Introduction

Filters

Coalescers

Regulators

Filter /
Regulators

Lubricators

Combinations

Accessories
and Kits



For inventory, lead times, and kit lookup, visit www.pdnplu.com

B3

Parker Hannifin Corporation
Pneumatic Division
Richland, Michigan
www.parker.com/pneumatics

A completely modular air preparation system

B

Global Air Preparation

Introduction

Filters

Coalescers

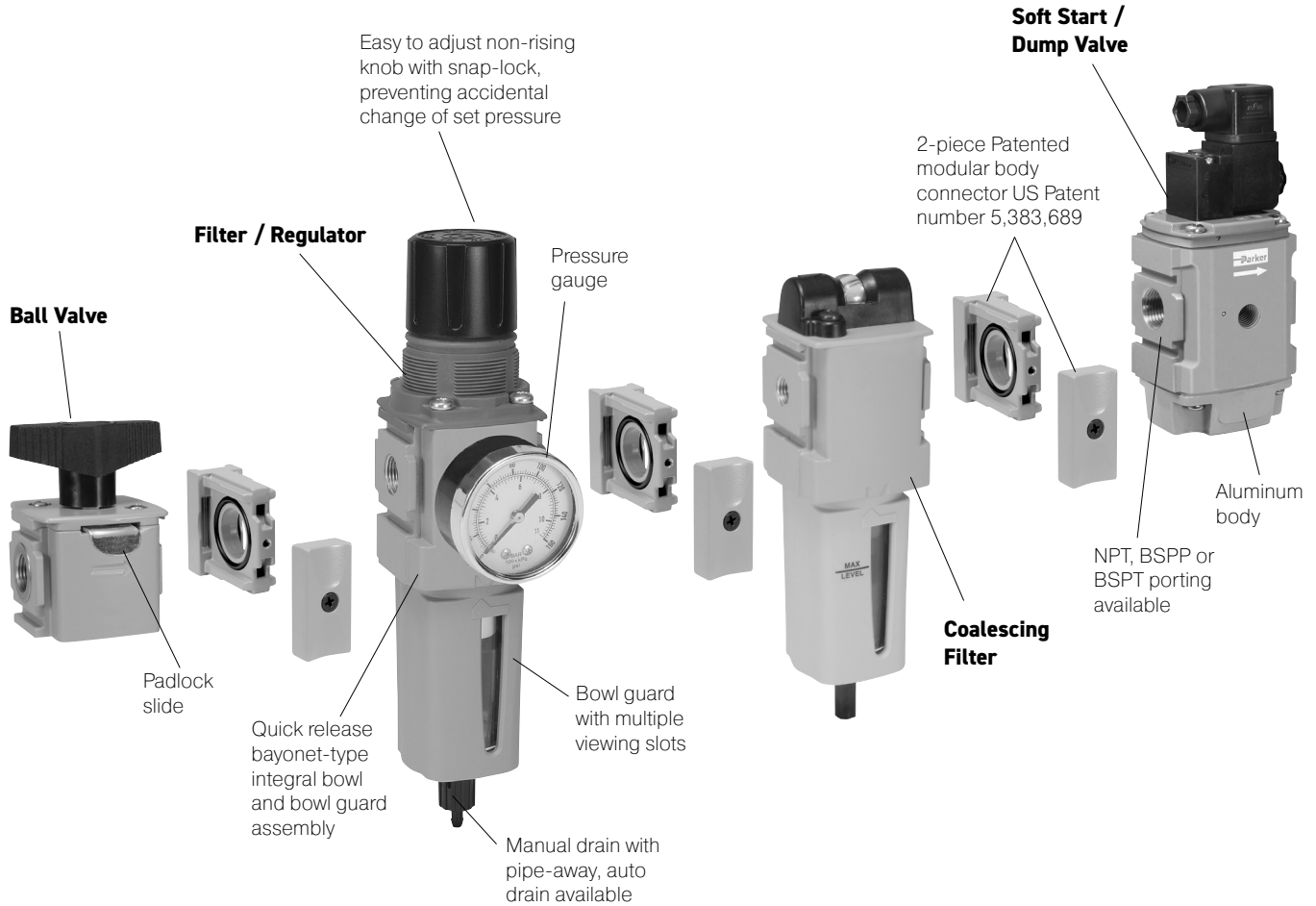
Regulators

Filter / Regulators

Lubricators

Combinations

Accessories and Kits



For inventory, lead times, and kit lookup, visit www.pdnplu.com

B4

Parker Hannifin Corporation
Pneumatic Division
Richland, Michigan
www.parker.com/pneumatics

Comprehensive Offering



P31 Mini Series
1/4" ports
40mm body width



P32 Compact Series
1/4", 3/8" and 1/2"
60mm body width



P33 Standard Series
1/2" and 3/4"
73mm body width



Filters

- 5 μ particulate, 1.0 μ and 0.01 μ coalescing, and adsorber available as standard
- Transparent or metal bowl with manual or auto float drains standard



Regulators

- Available as stand alone, common port and electronic proportional
- Both relieving and non-relieving versions available



Filter / Regulators

- Compact design for space savings
- Available with all the same standard options as the filters and regulators



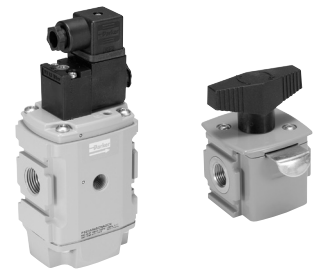
Lubricators

- Proportional oil delivery over a wide range of air flows
- Fill under pressure



Combinations

- Compact design for space savings
- Easily assembled
- Many configurations available



Accessories

- Solenoid operated soft start, quick dump, and soft start/quick dump valves
- Manifold blocks
- Ball style lockout / shutoff valve
- Repair kits, gauges, etc.

B

Global Air Preparation

Introduction

Filters

Coalescers

Regulators

Filter / Regulators

Lubricators

Combinations

Accessories and Kits

Air Preparation

P31 Mini Series

40mm body width
1/4" Ported

Flows up to:	scfm	(dm ³ /s, ANR)
Filter	25	(12)
Coalescer	7.5	(3.6)
Regulator	73	(34)
Filter/Regulator	22	(10)
Lubricator	52	(25)

Features:

- Space saving integral gauge
- Manifold style regulators available
- OSHA compliant shut-off valves
- Soft-Start & Quick Dump valves
- Electronic Proportional Regulator



P32 Compact Series

60mm body width
1/4", 3/8", & 1/2" Ported

Flows up to:	scfm	(dm ³ /s, ANR)
Filter	82	(39)
Coalescer	36	(17)
Regulator	165	(78)
Filter/Regulator	136	(64)
Lubricator	90	(42)

Features:

- Manifold style regulators available
- OSHA Compliant shut-off valves
- Soft-Start & Quick Dump valves
- Electronic Proportional Regulator



P33 Standard Series

73mm body width
1/2" & 3/4" Ported

Flows up to:	scfm	(dm ³ /s, ANR)
Filter	85	(40)
Coalescer	72	(34)
Regulator	233	(111)
Filter/Regulator	230	(108)
Lubricator	150	(71)

Features:

- OSHA Compliant shut-off valves
- Soft-Start & Quick Dump valves (Utilizes P32 size only)
- Electronic proportional regulator (Utilizes P32 size only)



B
Global Air Preparation
Introduction
Filters
Coalescers
Regulators
Filter / Regulators
Lubricators
Combinations
Accessories and Kits

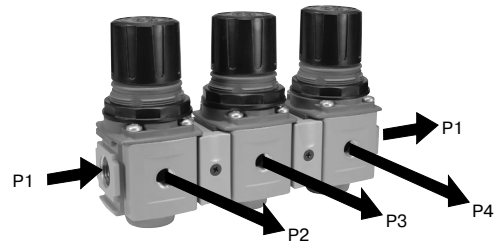


For inventory, lead times, and kit lookup, visit www.pdnplu.com

Complete Pneumatic System

Common Port Manifold Regulators

- Multiple output pressures (P2, P3, P4, etc.) with common inlet (P1)
- Available in two sizes P31 and P32
- Balanced valve design for accurate pressure regulation
- Outlet pressure ports in front and rear of unit.
- Multiple spring ranges available



Electronic Proportional Regulator

- Electro-Pneumatic regulator
- Integrated systems control
- Accurate output pressure
- Micro parameter settings
- Selectable I/O parameters
- Quick, full flow exhaust
- LED display indicates output pressure
- No air consumption in steady state
- Multiple mounting options
- Protection to IP65



P31P Mini Series



P32P Compact Series

Semi Precision Regulator and Filter/Regulator

- Available in P32 compact series
- Fine adjustment sensitivity
- Good repeatability and minimal pressure drop
- Good flow capacity
- Light gray knob for easy identification



Optional Tamperproof Kits

- One facilitates the permanent tamperproofing of the Regulator and Filter/Regulator units
- Hinged black part clamps over control knob and is locked in place after sliding yellow cover over it
- Other allows for removable lockout/tagout tamperproofing
 - Four pad lock location holes tagout
 - Hinged locking clamp secures over existing knob via yellow cover which is slid over into place



Additional Options P32 Only (Consult factory for availability)

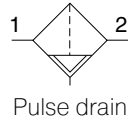
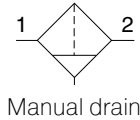
- T-Handle
- Preset
- Preset and Tamperproof
- Pressure Limiter



For inventory, lead times, and kit lookup, visit www.pdnplu.com

P31 Particulate Filter - Mini

- Integral 1/4" ports (NPT, BSPP & BSPT)
- High efficiency 5 micron element as standard
- Excellent water removal efficiency
- Robust but lightweight aluminum construction
- One hand operation for easy element cartridge removal
- Positive bayonet latch to ensure correct & safe fitting



Operating information

Supply pressure (max):	
Plastic bowl	150 psig (10 bar)
Metal bowl	250 psig (17 bar)
Operating temperature:	
Plastic bowl	14°F to 125°F (-10°C to 52°C)
Metal bowl	14°F to 150°F (-10°C to 65.5°C)
Standard filtration:	5 micron
Flow capacity*:	25 scfm (12 dm ³ /s, ANR)
Useful retention†:	0.4 US oz. (12 cm ³)
Weight:	0.24 lb (0.11 kg)

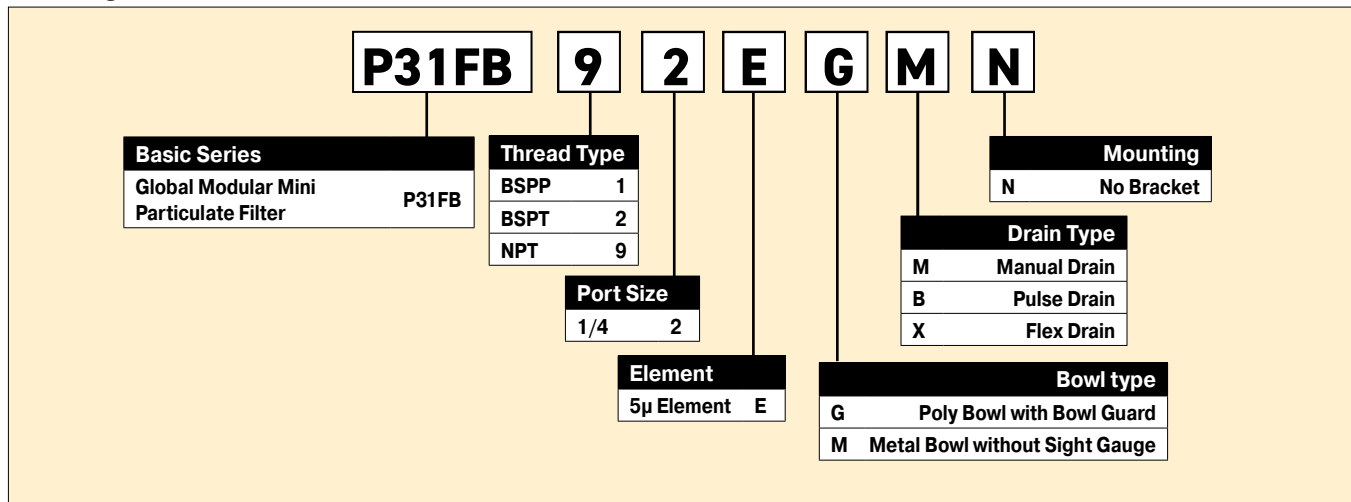
* Inlet pressure 91.3 psig (6.3 bar). Pressure drop 4.9 psig (0.34 bar).
 † Useful retention refers to volume below the quiet zone baffle.

Air quality:
 Within ISO 8573-1: 1991 Class 3 (Particulates)
 Within ISO 8573-1: 2001 Class 6 (Particulates)

Port Size	Description †	Part Number
1/4"	Poly Bowl, Manual Drain	P31FB92EGMN
1/4"	Poly Bowl, Pulse Drain	P31FB92EGBN
1/4"	Metal Bowl, Manual Drain	P31FB92EMMN
1/4"	Metal Bowl, Pulse Drain	P31FB92EMBN

† For polycarbonate bowl, see caution in Engineering Section A.

Ordering information:



Most popular.



For inventory, lead times, and kit lookup, visit www.pdnplu.com

B Global Air Preparation
 Introduction
 Filters
 Coalescers
 Regulators
 Filter / Regulators
 Lubricators
 Combinations
 Accessories and Kits

Material Specifications

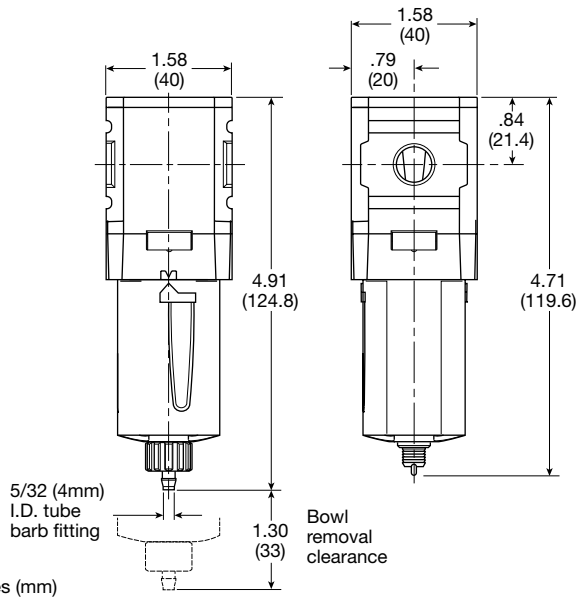
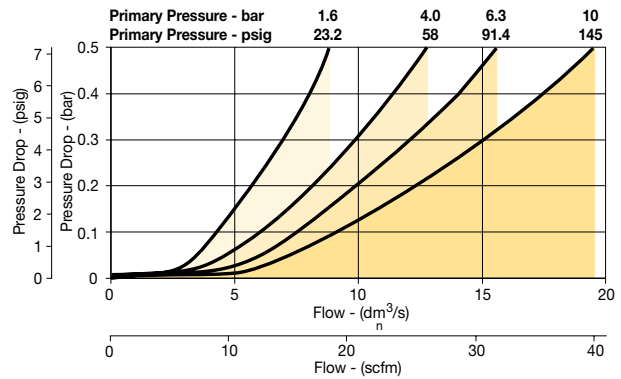
Body	Aluminum
Body cap	ABS
Plastic bowl	Polycarbonate
Metal bowl	Aluminum
Bowl guard	Nylon
Element retainer	Acetal
Baffle	Acetal
Filter element polyethylene	Sintered
Seals	Nitrile

Repair and Service Kits

Plastic bowl / bowl guard, manual drain	P31KB00BGM
Metal bowl / w/o sight gauge, manual drain	P31KB00BMM
Plastic bowl / bowl guard, pulse drain	P31KB00BGB
Metal bowl / w/o sight gauge, pulse drain	P31KB00BMB
5µ particle filter element	P31KA00ESE
C-bracket (fits to body)	P31KA00MW
T-bracket with body connector	P31KA00MT
Body connector	P31KA00CB

Flow Charts

P31FB 1/4" Filter



Manual Drain

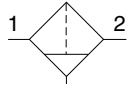
Pulse Drain



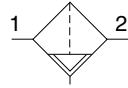
For inventory, lead times, and kit lookup, visit www.pdnplu.com

P32 Particulate Filter - Compact

- Integral 1/4", 3/8" or 1/2" ports (NPT, BSPP & BSPT)
- High efficiency 5 micron element as standard
- Excellent water removal efficiency
- Robust but lightweight aluminum construction
- Positive bayonet latch to ensure correct & safe fitting



Manual drain



Auto drain

Port Size	Description †	Part Number
1/4"	Poly Bowl, Manual Drain	P32FB92EGMN
1/4"	Poly Bowl, Auto Drain	P32FB92EGAN
1/4"	Metal Bowl, Manual Drain	P32FB92ESMN
1/4"	Metal Bowl, Auto Drain	P32FB92ESAN
3/8"	Poly Bowl, Manual Drain	P32FB93EGMN
3/8"	Poly Bowl, Auto Drain	P32FB93EGAN
3/8"	Metal Bowl, Manual Drain	P32FB93ESMN
3/8"	Metal Bowl, Auto Drain	P32FB93ESAN
1/2"	Poly Bowl, Manual Drain	P32FB94EGMN
1/2"	Poly Bowl, Auto Drain	P32FB94EGAN
1/2"	Metal Bowl, Manual Drain	P32FB94ESMN
1/2"	Metal Bowl, Auto Drain	P32FB94ESAN

† For polycarbonate bowl, see caution in Engineering Section A.

Operating information

Supply pressure (max):	
Plastic bowl	150 psig (10 bar)
Metal bowl	250 psig (17 bar)
Operating temperature:	
Plastic bowl	-13°F to 125°F (-25°C to 52°C)
Metal bowl	-13°F to 150°F (-25°C to 65.5°C)
Standard filtration:	5 micron
Flow capacity*:	
1/4"	50 scfm (24 dm ³ /s, ANR)
3/8"	78 scfm (37 dm ³ /s, ANR)
1/2"	82 scfm (39 dm ³ /s, ANR)
Useful retention†:	1.7 US oz. (51 cm ³)
Weight:	0.62 lb (0.28 kg)

* Inlet pressure 91.3 psig (6.3 bar). Pressure drop 4.9 psig (0.34 bar).
† Useful retention refers to volume below the quiet zone baffle.

Air quality:
Within ISO 8573-1: 1991 Class 3 (Particulates)
Within ISO 8573-1: 2001 Class 6 (Particulates)

Ordering Information:

P32FB 9 2 E G M N

Basic Series Global Modular Compact Particulate Filter P32FB	Thread Type BSPP 1 BSPT 2 NPT 9	Port Size 1/4 2 3/8 3 1/2 4	Element 5µ Element E	Mounting N No Bracket	Drain Type M Manual Drain A Auto Drain X Flex Drain	Bowl Type G Poly Bowl with Bowl Guard M Metal Bowl without Sight Gauge S Metal Bowl with Sight Gauge
---	---	---	--------------------------------	---------------------------------	---	--

Most popular.



For inventory, lead times, and kit lookup, visit www.pdnplu.com

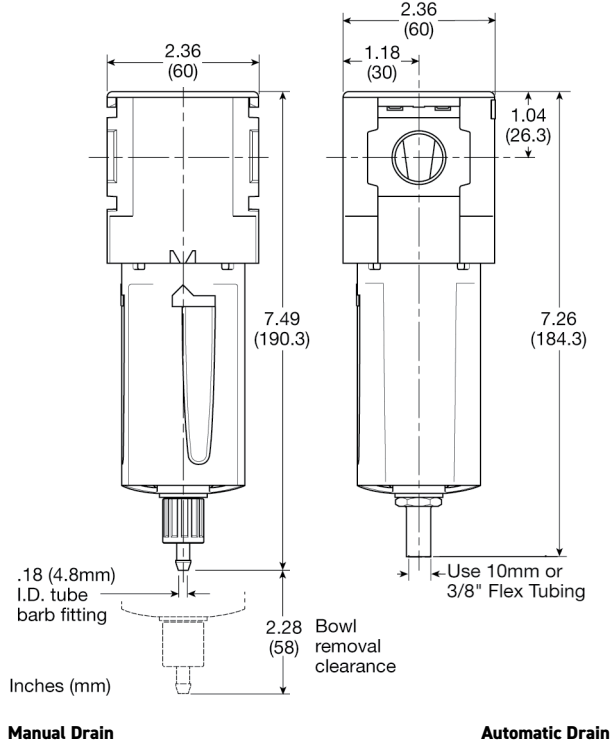
Compact Particulate Filters

Material Specifications

Body	Aluminum
Body cap	ABS
Plastic bowl	Polycarbonate
Metal bowl	Aluminum
Bowl guard	Nylon
Deflector	Polypropylene
Element retainer / Baffle	Acetal
Filter element polyethylene	Sintered
Seals	Nitrile
Sight gauge	Nylon

Repair and Service Kits

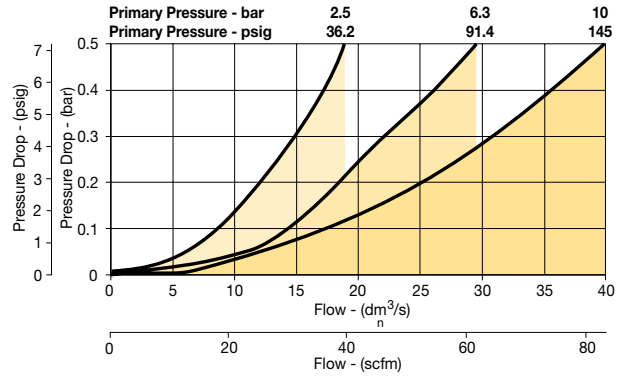
Plastic bowl / bowl guard, manual drain	P32KB00BGM
Metal bowl / sight gauge, manual drain	P32KB00BSM
Auto drain	P32KA00DA
5µ particle filter element	P32KA00ESE
L-bracket (fits to body)	P32KA00ML
T-bracket (fits to body connector)	P32KA00MB
T-bracket with body connector	P32KA00MT
Body connector	P32KA00CB



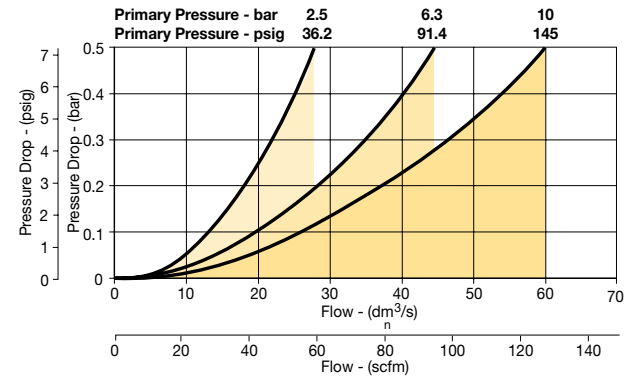
Air Preparation Products Global Air Preparation

Flow Charts

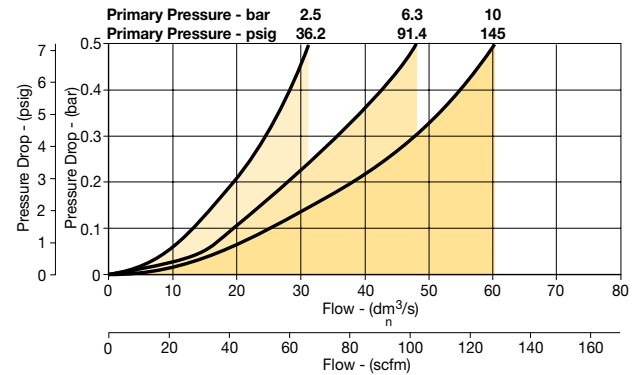
P32FB 1/4" Filter



P32FB 3/8" Filter



P32FB 1/2" Filter



B

Global Air Preparation

Introduction

Filters

Coalescers

Regulators

Filter / Regulators

Lubricators

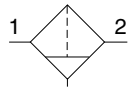
Combinations

Accessories and Kits

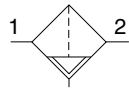


P33 Particulate Filter - Standard

- Integral 1/2" or 3/4" ports (NPT, BSPP & BSPT)
- High efficiency 5 micron element as standard
- Excellent water removal efficiency
- Robust but lightweight aluminum construction
- Positive bayonet latch to ensure correct & safe fitting



Manual drain



Auto drain

Port Size	Description †	Part Number
1/2"	Poly Bowl, Manual Drain	P33FA94EGMN
1/2"	Poly Bowl, Auto Drain	P33FA94EGAN
1/2"	Metal Bowl, Manual Drain	P33FA94ESMN
1/2"	Metal Bowl, Auto Drain	P33FA94ESAN
3/4"	Poly Bowl, Manual Drain	P33FA96EGMN
3/4"	Poly Bowl, Auto Drain	P33FA96EGAN
3/4"	Metal Bowl, Manual Drain	P33FA96ESMN
3/4"	Metal Bowl, Auto Drain	P33FA96ESAN

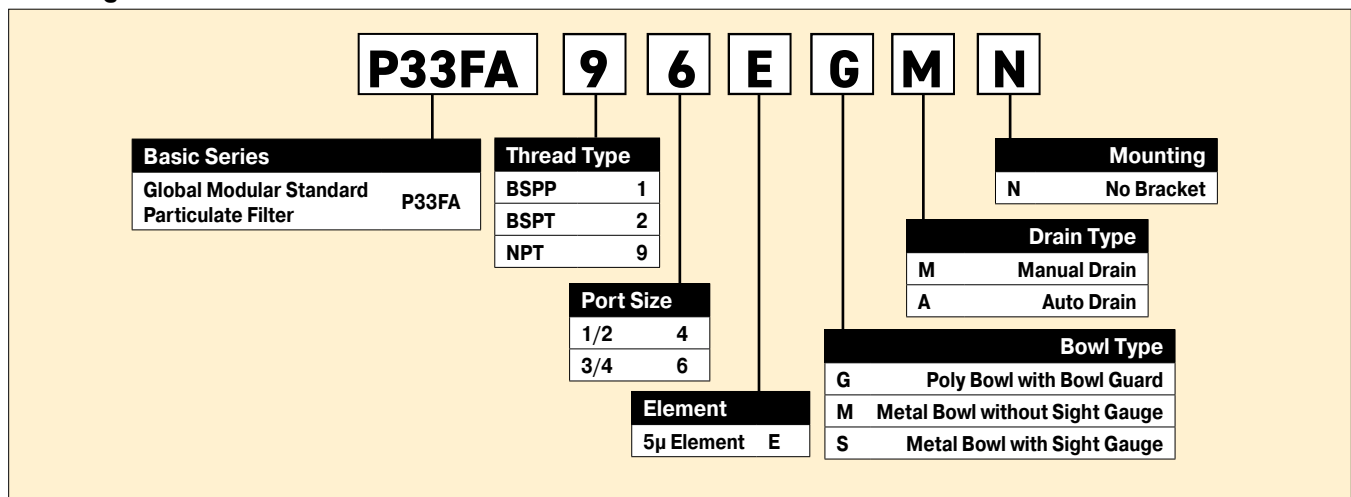
† For polycarbonate bowl, see caution in Engineering Section A.

Operating information

Supply pressure (max):	
Plastic bowl	150 psig (10 bar)
Metal bowl	250 psig (17 bar)
Operating temperature:	
Plastic bowl	-13°F to 125°F (-25°C to 52°C)
Metal bowl	-13°F to 150°F (-25°C to 65.5°C)
Standard filtration:	5 micron
Flow capacity*:	1/2 85 scfm (40 dm³/s, ANR)
	3/4 102 scfm (48 dm³/s, ANR)
Useful retention†:	2.8 US oz. (85 cm³)
Weight:	1.01 lb (0.46 kg)
* Inlet pressure 91.3 psig (6.3 bar). Pressure drop 4.9 psig (0.34 bar).	
† Useful retention refers to volume below the quiet zone baffle.	

Air quality:
 Within ISO 8573-1: 1991 Class 3 (Particulates)
 Within ISO 8573-1: 2001 Class 6 (Particulates)

Ordering Information:



Most popular.



For inventory, lead times, and kit lookup, visit www.pdnplu.com

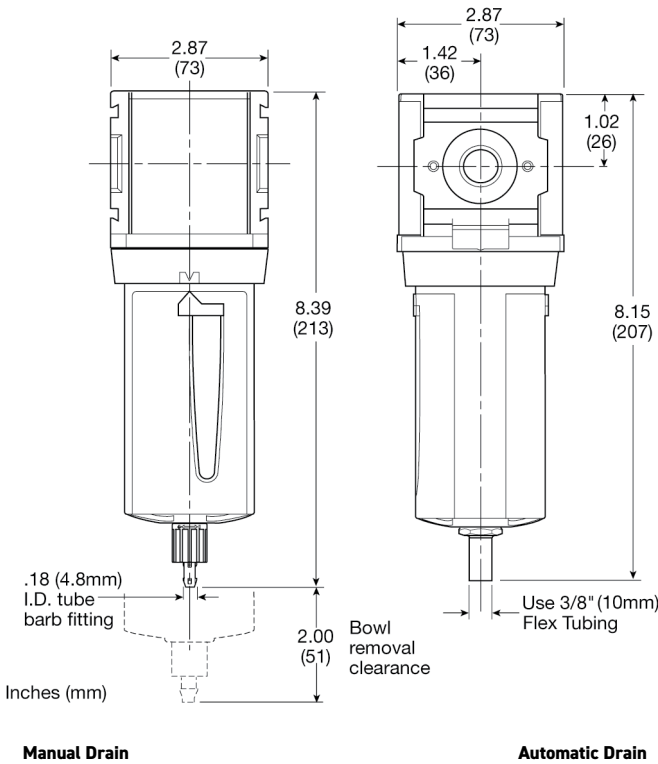
Standard Particulate Filters

Material Specifications

Body	Aluminum
Bowl cap	ABS
Plastic bowl	Polycarbonate
Metal bowl	Aluminum
Bowl guard	Nylon
Deflector	Polypropylene
Element retainer / Baffle	Acetal
Filter element polyethylene	Sintered
Seals	Nitrile
Sight gauge	Nylon

Repair and Service Kits

Plastic bowl / bowl guard, manual drain	P33KA00BGM
Metal bowl / sight gauge, manual drain	P33KA00BSM
Auto drain	P32KA00DA
5µ particle filter element	P33KA00ESE
L-bracket (fits to body)	P33KA00ML
T-bracket (fits to body connector)	P32KA00MB
T-bracket with body connector	P33KA00MT
Body connector	P32KA00CB

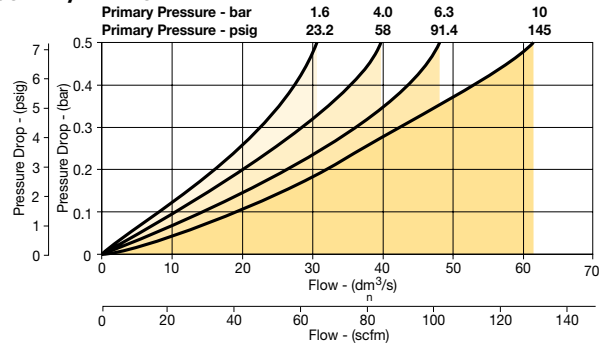


Air Preparation Products

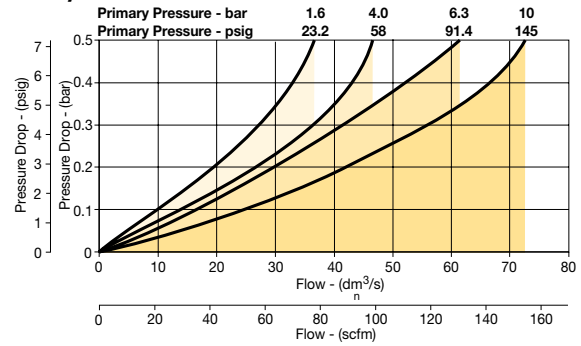
Global Air Preparation

Flow Charts

P33FA 1/2" Filter



P33FA 3/4" Filter



B

Global Air Preparation

Introduction

Filters

Coalescers

Regulators

Filter / Regulators

Lubricators

Combinations

Accessories and Kits



For inventory, lead times, and kit lookup, visit www.pdnplu.com

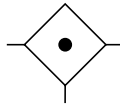
P31 Coalescing and Adsorber Filters - Mini

- Integral 1/4" ports (NPT, BSPP & BSPT)
- Removes liquid aerosols and sub micron particles
- Oil free air for critical applications, such as air gauging, pneumatic instrumentation and control
- Positive bayonet latch to ensure correct and safe fitting
- Adsorbing activated carbon element removes oil vapors and most hydrocarbons



Note: To optimize the life of coalescing element, it is advisable to install a P31F pre-filter with a 5 micron element upstream of the coalescing filter.

To optimize the life of an Adsorber it is advisable to install a P31 Coalescing Filter upstream of the Adsorber. Adsorber element should be replaced approximately every 1000 hours of service.



Port Size	Description *	Element	Part Number
1/4"	Poly Bowl, Manual Drain	0.01 micron	P31FB92DGMN
1/4"	Poly Bowl, Pulse Drain	0.01 micron	P31FB92DGBN
1/4"	Metal Bowl, Manual Drain	0.01 micron	P31FB92DMMN
1/4"	Metal Bowl, Pulse Drain	0.01 micron	P31FB92DMBN

* For polycarbonate bowl, see caution in Engineering Section A.

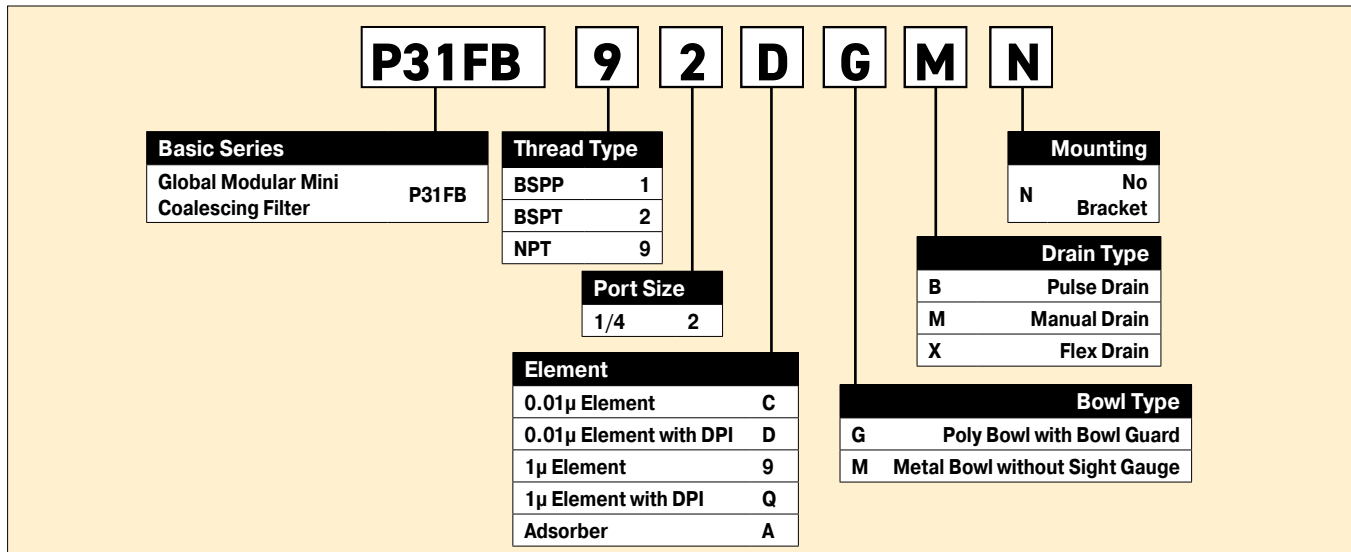
Operating information

Supply pressure (max):	
Poly bowl	150 psig (10 bar)
Metal bowl w/ DPI	150 psig (10 bar)
Metal bowl w/o DPI	250 psig (17 bar)
Operating temperature:	
Plastic bowl	14°F to 125°F (-10°C to 52°C)
Metal bowl	14°F to 150°F (-10°C to 65.5°C)
Standard filtration:	1.0 and 0.01 micron
Adsorber	Max. oil carryover (ppm w/w) 0.003 @ 70°F (21°C)
Flow capacity*:	
1.0 micron coalescing	12 scfm (5.5 dm³/s, ANR)
0.01 micron coalescing	7.5 scfm (3.6 dm³/s, ANR)
Activated carbon adsorber	12.7 scfm (6 dm³/s, ANR)
Useful retention†:	0.4 US oz. (12 cm³)
Weight:	0.24 lb (0.11 kg)

* Inlet pressure 91.3 psig (6.3 bar). Pressure drop 3 psig (0.2 bar), saturated element.

† Useful retention refers to volume below the quiet zone baffle.

Ordering Information:



Most popular.



For inventory, lead times, and kit lookup, visit www.pdnplu.com

Mini Coalescing and Adsorber Filters

Material Specifications

Body	Aluminum
Body cap	ABS
Plastic bowl	Polycarbonate
Metal bowl	Aluminum
Filter element	Borosilicate cloth
Adsorber element	Activated carbon
Seals	Nitrile

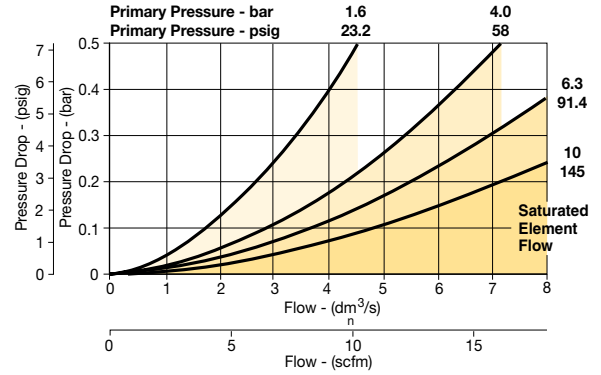
Repair and Service Kits

Plastic bowl / bowl guard, manual drain	P31KB00BGM
Metal bowl / w/o sight gauge, manual drain	P31KB00BMM
Plastic bowl / bowl guard, pulse drain	P31KB00BGB
Metal bowl / w/o sight gauge, pulse drain	P31KB00BMB
1µ coalescing filter element	P31KA00ES9
0.01µ coalescing filter element	P31KA00ESC
Activated carbon adsorber filter element	P31KA00ESA
C-bracket (fits to body)	P31KA00MW
T-bracket with body connector	P31KA00MT
Body connector	P31KA00CB
Differential pressure indicator (replacement)	P31KB00RQ

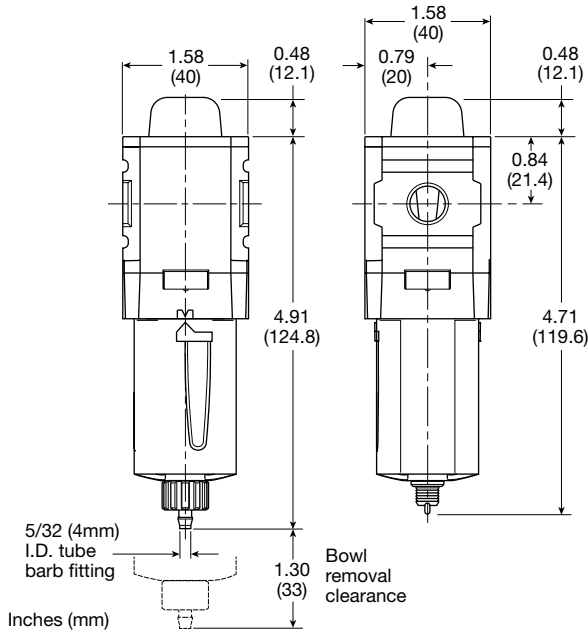
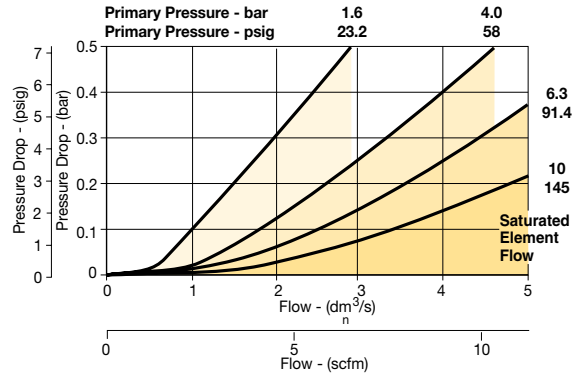
Air Preparation Products Global Air Preparation

Flow Charts

P31FB - 1.0 micron flow



P31FB - 0.01 micron flow



Manual Drain

Pulse Drain

B

Global Air Preparation

Introduction

Filters

Coalescers

Regulators

Filter / Regulators

Lubricators

Combinations

Accessories and Kits

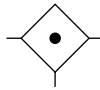


For inventory, lead times, and kit lookup, visit www.pdnplu.com

P32 Coalescing and Adsorber Filters - Compact

- Integral 1/4", 3/8" or 1/2" ports (NPT, BSPP & BSPT)
- Removes liquid aerosols and sub micron particles
- Oil free air for critical applications, such as air gauging, pneumatic instrumentation and control
- Differential Pressure Indicator (DPI) standard on Coalescing Filters
- Positive bayonet latch to ensure correct & safe fitting
- Adsorbing activated carbon element removes oil vapors and most hydrocarbons

Note: To optimize the life of coalescing element, it is advisable to install a P32F pre-filter with a 5 micron element upstream of the coalescing filter.
To optimize the life of an Adsorber it is advisable to install a P32 Coalescing Filter upstream of the Adsorber. Adsorber element should be replaced approximately every 1000 hours of service.



Port Size	Description †	Element	Part Number
1/4"	Poly Bowl, Manual Drain	0.01 micron	P32FB92DGMN
1/4"	Poly Bowl, Auto Drain	0.01 micron	P32FB92DGAN
1/4"	Metal Bowl, Manual Drain	0.01 micron	P32FB92DSMN
1/4"	Metal Bowl, Auto Drain	0.01 micron	P32FB92DSAN
3/8"	Poly Bowl, Manual Drain	0.01 micron	P32FB93DGMN
3/8"	Poly Bowl, Auto Drain	0.01 micron	P32FB93DGAN
3/8"	Metal Bowl, Manual Drain	0.01 micron	P32FB93DSMN
3/8"	Metal Bowl, Auto Drain	0.01 micron	P32FB93DSAN
1/2"	Poly Bowl, Manual Drain	0.01 micron	P32FB94DGMN
1/2"	Poly Bowl, Auto Drain	0.01 micron	P32FB94DGAN
1/2"	Metal Bowl, Manual Drain	0.01 micron	P32FB94DSMN
1/2"	Metal Bowl, Auto Drain	0.01 micron	P32FB94DSAN

† For polycarbonate bowl, see caution in Engineering Section A.

Operating information

Supply pressure (max):	
Poly bowl	150 psig (10 bar)
Metal bowl w/ DPI	150 psig (10 bar)
Metal bowl w/o DPI	250 psig (17 bar)
Operating temperature:	
Plastic bowl	-13°F to 125°F (-25°C to 52°C)
Metal bowl	-13°F to 150°F (-25°C to 65.5°C)
Standard filtration:	1.0 and 0.01 micron
Adsorber	Max. oil carryover (ppm w/w) 0.003 @ 70°F (21°C)
Flow capacity*:	
1.0 micron coalescing	53 scfm (25 dm³/s, ANR)
0.01 micron coalescing	36 scfm (17 dm³/s, ANR)
Activated carbon adsorber	85 scfm (40 dm³/s, ANR)
Useful retention†:	1.7 US oz. (51 cm³)
Weight:	0.71 lb (0.32 kg)

* Inlet pressure 91.3 psig (6.3 bar). Pressure drop 3 psig (0.2 bar), saturated element.

† Useful retention refers to volume below the quiet zone baffle.

Ordering Information:

P32FB 9 2 D G M N

Basic Series Global Modular Compact Coalescing Filter P32FB	Thread Type BSPP 1 BSPT 2 NPT 9	Port Size 1/4 2 3/8 3 1/2 4	Mounting N No Bracket
	Element 0.01µ Element C 0.01µ Element with DPI D 1µ Element 9 1µ Element with DPI Q Adsorber A	Bowl Type G Poly Bowl with Bowl Guard M Metal Bowl without Sight Gauge S Metal Bowl with Sight Gauge	Drain Type M Manual Drain A Auto Drain X Flex Drain

Most popular.



For inventory, lead times, and kit lookup, visit www.pdnplu.com

Compact Coalescing and Adsorber Filters

Air Preparation Products Global Air Preparation

Material Specifications

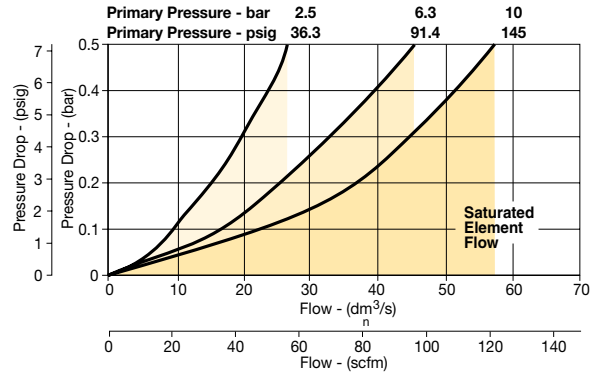
Body	Aluminum
Body cap	ABS
Plastic bowl	Polycarbonate
Metal bowl	Aluminum
Filter element	Borosilicate cloth
Adsorber	Activated carbon
Seals	Nitrile
Sight gauge	Nylon

Repair and Service Kits

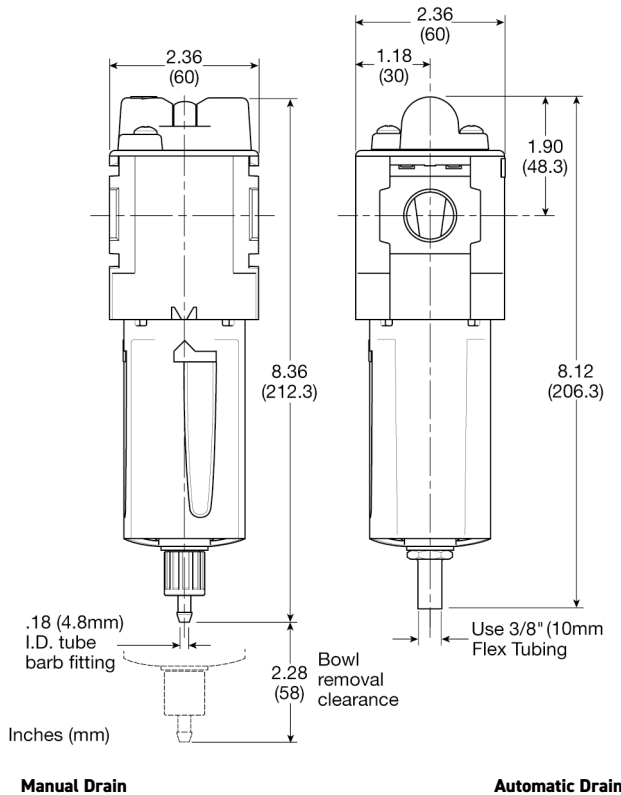
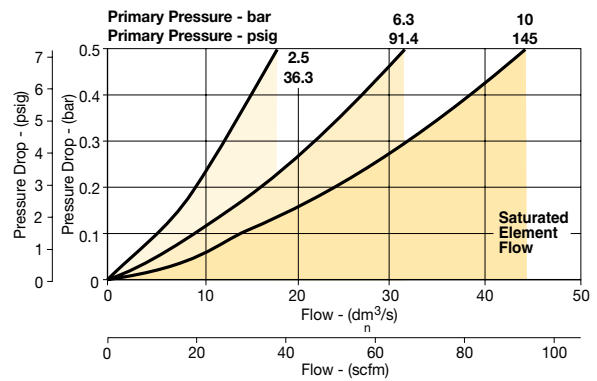
Plastic bowl / bowl guard, manual drain	P32KB00BGM
Metal bowl / sight gauge, manual drain	P32KB00BSM
Auto drain	P32KA00DA
1µ coalescing filter element	P32KA00ES9
0.01µ coalescing filter element	P32KA00ESC
Activated carbon adsorber filter element	P32KA00ESA
L-bracket (fits to body)	P32KA00ML
T-bracket (fits to body connector)	P32KA00MB
T-bracket with body connector	P32KA00MT
Body connector	P32KA00CB
Differential pressure indicator (replacement)	P32KA00RQ

Flow Charts

P32FB - 1.0 micron flow



P32FB - 0.01 micron flow



B
Global Air Preparation
Introduction
Filters
Coalescers
Regulators
Filter / Regulators
Lubricators
Combinations
Accessories and Kits



For inventory, lead times, and kit lookup, visit www.pdnplu.com

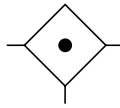
P33 Coalescing and Adsorber Filters - Standard

- Integral 1/2" or 3/4" ports (NPT, BSPP & BSPT)
- Removes liquid aerosols and sub micron particles
- Oil free air for critical applications, such as air gauging, pneumatic instrumentation and control
- Differential Pressure Indicator (DPI) standard on Coalescing Filters
- Positive bayonet latch to ensure correct & safe fitting
- Adsorbing activated carbon element removes oil vapors and most hydrocarbons



Note: To optimize the life of coalescing element, it is advisable to install a P33F pre-filter with a 5 micron element upstream of the coalescing filter.

To optimize the life of an Adsorber it is advisable to install a P33 Coalescing Filter upstream of the Adsorber. Adsorber element should be replaced approximately every 1000 hours of service.



Port Size	Description †	Element	Part Number
1/2"	Poly Bowl, Manual Drain	0.01 micron	P33FA94DGMN
1/2"	Poly Bowl, Auto Drain	0.01 micron	P33FA94DGAN
1/2"	Metal Bowl, Manual Drain	0.01 micron	P33FA94DSMN
1/2"	Metal Bowl, Auto Drain	0.01 micron	P33FA94DSAN
3/4"	Poly Bowl, Manual Drain	0.01 micron	P33FA96DGMN
3/4"	Poly Bowl, Auto Drain	0.01 micron	P33FA96DGAN
3/4"	Metal Bowl, Manual Drain	0.01 micron	P33FA96DSMN
3/4"	Metal Bowl, Auto Drain	0.01 micron	P33FA96DSAN

† For polycarbonate bowl, see caution in Engineering Section A.

Operating information

Supply pressure (max):	
Poly bowl	150 psig (10 bar)
Metal bowl w/ DPI	150 psig (10 bar)
Metal bowl w/o DPI	250 psig (17 bar)
Operating temperature:	
Plastic bowl	-13°F to 125°F (-25°C to 52°C)
Metal bowl	-13°F to 150°F (-25°C to 65.6°C)
Standard filtration:	1.0 and 0.01 micron
Adsorber	Max. oil carryover (ppm w/w) 0.003 @ 70°F (21°C)
Flow capacity*:	
1.0 micron coalescing	68 scfm (32 dm³/s, ANR)
0.01 micron coalescing	42 scfm (20 dm³/s, ANR)
Activated carbon adsorber	72 scfm (34 dm³/s, ANR)
Useful retention†:	2.8 US oz. (85 cm³)
Weight:	1.10 lb (0.50 kg)

* Inlet pressure 91.3 psig (6.3 bar). Pressure drop 3 psig (0.2 bar), saturated element.

† Useful retention refers to volume below the quiet zone baffle.

Ordering information:

P33FA 9 6 D G M N

Basic Series Global Modular Standard Coalescing Filter P33FA	Thread Type BSPP 1 BSPT 2 NPT 9	Port Size 1/2 4 3/4 6	Element 0.01µ Element C 0.01µ Element with DPI D 1µ Element 9 1µ Element with DPI Q Adsorber A	Mounting N No Bracket	Drain Type M Manual Drain A Auto Drain	Bowl Type G Poly Bowl with Bowl Guard M Metal Bowl without Sight Gauge S Metal Bowl with Sight Gauge
--	---	------------------------------------	--	---------------------------------	---	--

Most popular.



For inventory, lead times, and kit lookup, visit www.pdnplu.com

Material Specifications

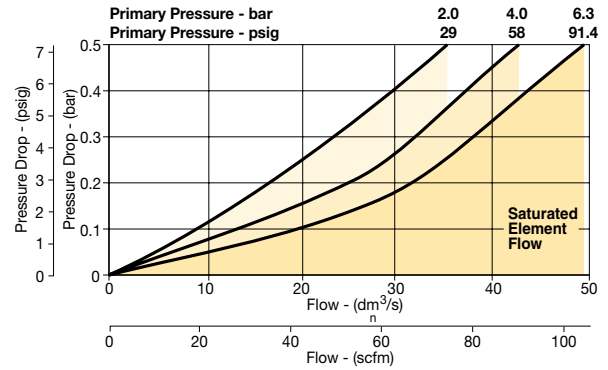
Body	Aluminum
Body cap	ABS
Plastic bowl	Polycarbonate
Metal bowl	Aluminum
Filter element	Borosilicate cloth
Adsorber	Activated carbon
Seals	Nitrile
Sight gauge	Nylon

Repair and Service Kits

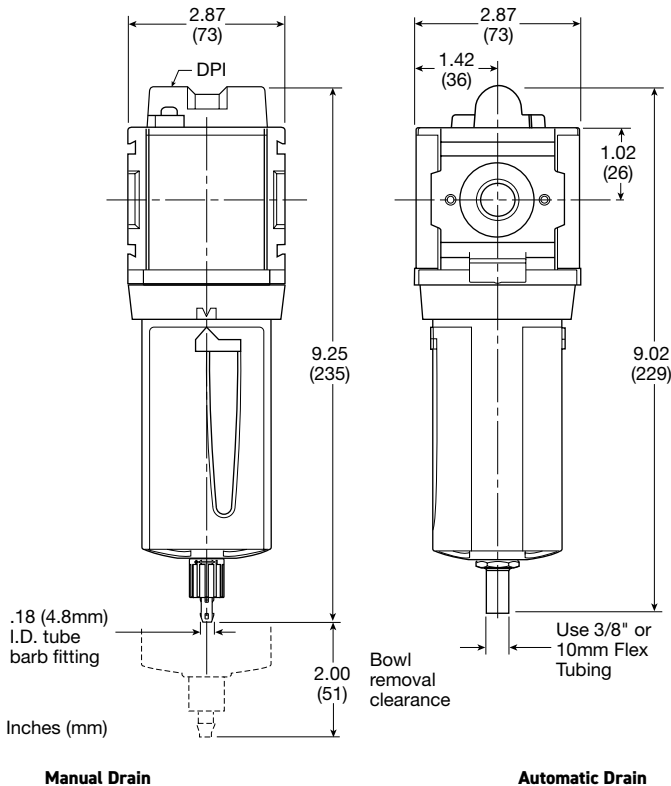
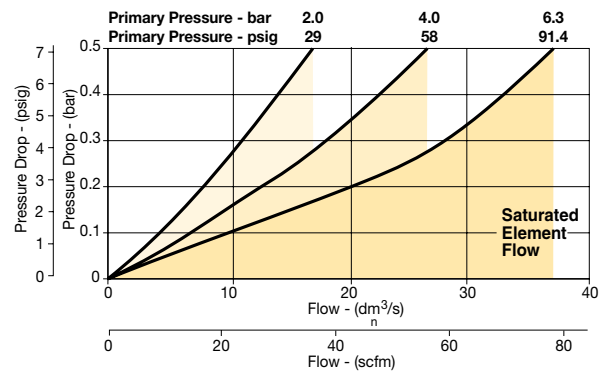
Plastic bowl / bowl guard, manual drain	P33KA00BGM
Metal bowl / sight gauge, manual drain	P33KA00BSM
Auto drain	P32KA00DA
1µ coalescing filter element	P33KA00ES9
0.01µ coalescing filter element	P33KA00ESC
Activated carbon adsorber filter element	P33KA00ESA
L-bracket (fits to body)	P33KA00ML
T-bracket (fits to body connector)	P32KA00MB
T-bracket with body connector	P32KA00MT
Body connector	P32KA00CB
Differential pressure indicator (replacement)	P32KA00RQ

Flow Charts

P33FA - 1.0 micron flow



P33FA - 0.01 micron flow



B

Global Air Preparation

Introduction

Filters

Coalescers

Regulators

Filter / Regulators

Lubricators

Combinations

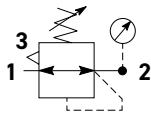
Accessories and Kits



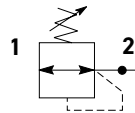
For inventory, lead times, and kit lookup, visit www.pdnplu.com

P31 Regulators - Mini

- Integral 1/4" ports (NPT, BSPP & BSPT)
- Robust but lightweight aluminum construction
- Secondary pressure ranges
- Secondary aspiration plus balanced poppet provides quick response and accurate pressure regulation.
- Relieving & non-relieving types
- Non-rising knob



Self relieving regulator with gauge



Non-relieving regulator

Port Size	Description (Relieving)	Gauge	Part Number
1/4"	125 psig (8 bar)	Square	P31RB92BN5P

Operating information

Flow capacity*:	1/4	73 scfm (34 dm ³ /s, ANR)
Operating temperature†:		-4°F to 150°F (-20°C to 65.5°C)
Supply pressure (max):		300 psig (20 bar)
Adjusting range pressure:		30 psig (0-2 bar) 60 psig (0-4 bar) 125 psig (0-8 bar) 232 psig (0-16 bar)
Weight:		0.37 lb (0.17 kg)

* Inlet pressure 145 psig (10 bar). Secondary pressure 100 psig (6.9 bar) and 14.5 psig (1 bar) pressure drop.
 † Units with square gauges: 5°F to 150°F (-15°C to 65.5°C)

Gauge supplied with every part. Gauge can be installed on the front or back of the regulator. If no gauge is installed, both seal screws must be installed.

Ordering Information:

P31RB	9	2	B	N	5	P															
Basic Series Global Modular Mini Regulator P31RB	Thread Type BSPP 1 BSPT 2 NPT 9	Port Size 1/4 2	Relief Relieving B Non-Relieving N Reverse Flow - Relieving R	Adjustment N Non-Rising Knob	Adjustment Range With Square Gauge <table border="1"> <thead> <tr> <th>psig</th> <th>Bar</th> <th>MPa</th> </tr> </thead> <tbody> <tr> <td>1 = 30*</td> <td>V = 2*</td> <td>2 = 0.2*</td> </tr> <tr> <td>3 = 60</td> <td>S = 4</td> <td>4 = 0.4</td> </tr> <tr> <td>5 = 125</td> <td>T = 8</td> <td>6 = 0.8</td> </tr> <tr> <td>7 = 232</td> <td>W = 16</td> <td>8 = 1.6</td> </tr> </tbody> </table>	psig	Bar	MPa	1 = 30*	V = 2*	2 = 0.2*	3 = 60	S = 4	4 = 0.4	5 = 125	T = 8	6 = 0.8	7 = 232	W = 16	8 = 1.6	Mounting P Plastic Panel Mount Nut
psig	Bar	MPa																			
1 = 30*	V = 2*	2 = 0.2*																			
3 = 60	S = 4	4 = 0.4																			
5 = 125	T = 8	6 = 0.8																			
7 = 232	W = 16	8 = 1.6																			

* Regulator comes with gauge respective to the adjustment range available.

Most popular.



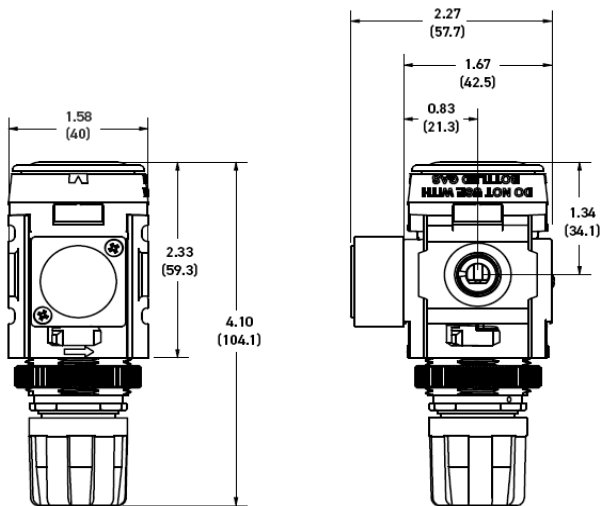
For inventory, lead times, and kit lookup, visit www.pdnplu.com

Material Specifications

Body	Aluminum
Adjustment knob	Acetal
Bonnet	Glass-filled nylon
Diaphragm assembly	Stainless steel / Nitrile
Valve assembly	Acetal/ Nitrile
Springs	Steel
Seals	Nitrile
Panel nut	Acetal
Bottom Cap	Glass-filled nylon

Repair and Service Kits

Panel mount nut - aluminum	P31KA00MM
Panel mount nut - plastic	P31KA00MP
Angle bracket (attaches via panel nut)	P31KB00MR
C-bracket (fits to body)	P31KA00MW
T-bracket with body connector	P31KA00MT
Body connector	P31KA00CB



NOTE: 1.20 in. (30mm) hole required for panel nut mounting.

⚠ WARNING

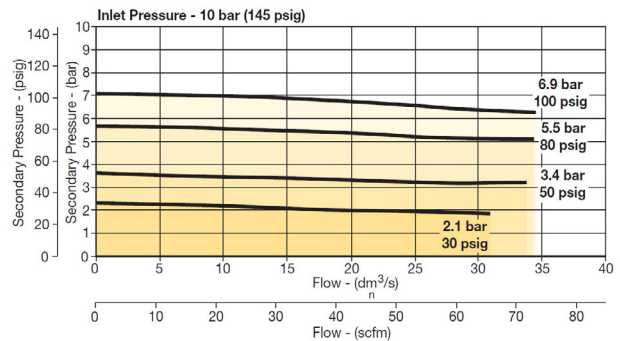
**Product rupture can cause serious injury.
 Do not connect regulator to bottled gas.
 Do not exceed Maximum primary pressure rating.**

CAUTION:

REGULATOR PRESSURE ADJUSTMENT – The working range of knob adjustment is designed to permit outlet pressures within their full range. Pressure adjustment beyond this range is also possible because the knob is not a limiting device. This is a common characteristic of most industrial regulators, and limiting devices may be obtained only by special design. For best performance, regulated pressure should always be set by increasing the pressure up to the desired setting.

Flow Charts

P31RB 1/4" Regulator



Gauges (*see note below)

Square flush mount gauge	0-060 psig	P31KA060XB
	0-160 psig	P31KA160XB
	0-290 psig	P31KA290XB
	0-4 bar	P31KA04BXB
	0-11 bar	P31KA11BXB
	0-20 bar	P31KA20BXB
	0-0.4 MPa	P31KA04MXB
Square flush mount gauge	0-1.1 MPa	P31KA11MXB
	0-2.0 MPa	P31KA20MXB
	0-4 bar	K4511SCR04B
	0-11 bar	K4511SCR11B
Square with adapter kit	0-60 psig	K4511SCR060
	0-160 psig	K4511SCR160
	0-4 bar	P6G-PR10040
	0-11 bar	P6G-PR10110
1.00" Round 1/8" center back mount	0-60 psig	P6G-PR90060
	0-160 psig	P6G-PR90160
	0-60 psig / 1-4 bar	K4510N18060
	0-160 psig / 0-11 bar	K4510N18160
40mm Round 1/8" center back mount (not for use with common port regulators)	0-30 psig / 0-2 bar	K4515N18030
	0-60 psig / 0-4 bar	K4515N18060
	0-160 psig / 0-11bar	K4515N18160

For best performance, regulated pressure should always be set by increasing the pressure up to the desired setting.

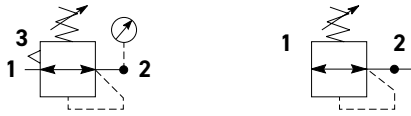
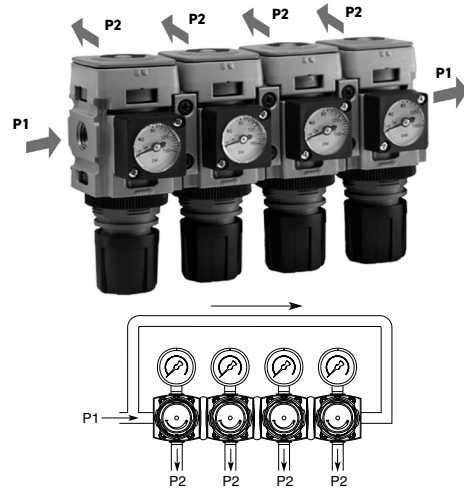
***For P31 Regulators with date code after November 2023 (4423 Date Code), please use these part numbers when ordering a replacement gauge.**



For inventory, lead times, and kit lookup, visit www.pdnplu.com

P31 Common P1 Regulators - Mini

- Manifold style regulator with line pressure on both sides
- Pressure output is at front or rear
- Inlet port 1/4" (NPT, BSPP & BSPT)
- Working port 1/8"
- Robust construction
- Secondary pressure ranges
- Secondary aspiration plus balanced poppet provides quick response and accurate pressure regulation
- Relieving & non-relieving types
- Non-rising knob



Self relieving regulator with gauge

Non-relieving regulator

Port Size	Description (Relieving)	Gauge	Part Number
1/4"	125 psig (8 bar)	Square	P31HB92BN5P

Operating information

Flow capacity*: 1/4 64 scfm (31 dm³/s, ANR)
 Operating temperature: -4°F to 150°F (-20°C to 65.5°C)
 Supply pressure (max): 300 psig (20 bar)
 Adjusting range pressure: 30 psig (0-2 bar)
 60 psig (0-4 bar)
 125 psig (0-8 bar)
 232 psig (0-16 bar)
 P1 port size (inlet/outlet) 1/4 NPT, BSPP, BSPT
 P2 regulated ports (2 ea.) 1/8 NPT, BSPP, BSPT
 Weight: 0.66 lb (0.30 kg)
 * Inlet pressure 145 psig (10 bar). Secondary pressure 100 psig (6.9 bar) and 14.5 psig (1 bar) pressure drop.

Gauge supplied with every part. Gauge can be installed on the front or back of the regulator. If no gauge is installed, both seal screws must be installed.

Ordering Information:

P31HB 9 2 B N 5 P

Basic Series Global Modular Mini Common Regulator P31HB	Thread Type BSPP 1 BSPT 2 NPT 9	Port Size † 1/4 2 † Working port 1/8".	Relief Relieving B Non-Relieving N Reverse Flow - Relieving R	Mounting P Plastic Panel Mount Nut	Adjustment Range With Square Gauge
---	---	---	---	--	---

psig	Bar	MPa
1 = 30*	V = 2*	2 = 0.2*
3 = 60	S = 4	4 = 0.4
5 = 125	T = 8	6 = 0.8
7 = 232	W = 16	8 = 1.6

* Regulator comes with gauge respective to the adjustment range available.

Adjustment
N Non-Rising Knob

Most popular.



For inventory, lead times, and kit lookup, visit www.pdnplu.com

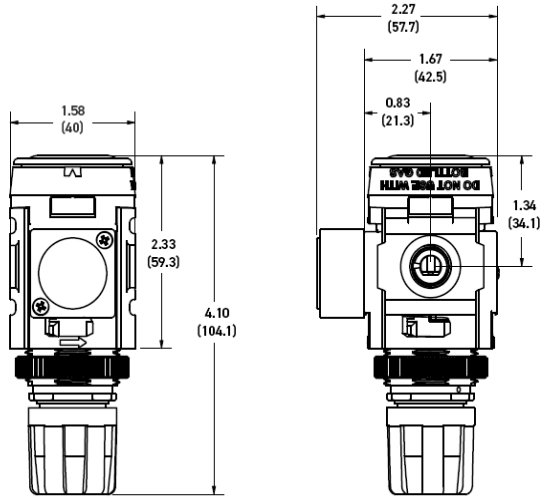
Mini Common P1 Regulators

Materials of Construction

Body	Aluminum
Adjustment knob	Acetal
Bonnet	Glass-filled nylon
Diaphragm assembly	Stainless steel / Nitrile
Valve assembly	Acetal / Nitrile

Repair and Service Kits

Panel mount nut - aluminum	P31KA00MM
Panel mount nut - plastic	P31KA00MP
Angle bracket (attaches via panel nut)	P31KB00MR
T-bracket with body connector	P31KA00MT
Body connector	P31KA00CB



NOTE: 1.20 in. (30mm) hole required for panel nut mounting.

WARNING

Product rupture can cause serious injury. Do not connect regulator to bottled gas. Do not exceed Maximum primary pressure rating.

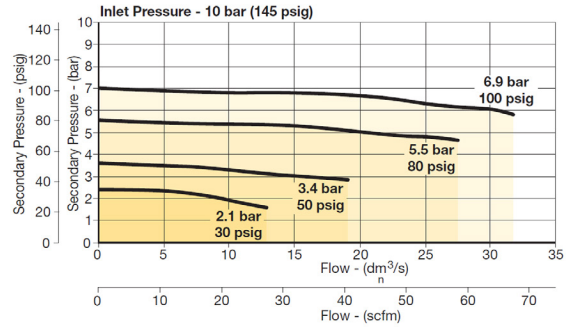
CAUTION:

REGULATOR PRESSURE ADJUSTMENT – The working range of knob adjustment is designed to permit outlet pressures within their full range. Pressure adjustment beyond this range is also possible because the knob is not a limiting device. This is a common characteristic of most industrial regulators, and limiting devices may be obtained only by special design. For best performance, regulated pressure should always be set by increasing the pressure up to the desired setting.

Air Preparation Products Global Air Preparation

Flow Charts

P31HB 1/4" Common Regulator



Gauges (*see note below)

Square flush mount gauge	0-160 psig	P31KA060XB
	0-160 psig	P31KA160XB
	0-290 psig	P31KA290XB
	0-4 bar	P31KA04BXB
	0-11 bar	P31KA11BXB
	0-20 bar	P31KA20BXB
	0-0.4 MPa	P31KA04MXB
Square flush mount gauge	0-1.1 MPa	P31KA11MXB
	0-2.0 MPa	P31KA20MXB
	0-4 bar	K4511SCR04B
	0-11 bar	K4511SCR11B
Square with adapter kit	0-60 psig	K4511SCR060
	0-160 psig	K4511SCR160
	0-4 bar	P6G-PR10040
	0-11 bar	P6G-PR10110
1.00" Round 1/8" center back mount	0-60 psig / 1-4 bar	K4510N18060
	0-160 psig / 0-11 bar	K4510N18160
	0-30 psig / 0-2 bar	K4515N18030
40mm Round 1/8" center back mount (not for use with common port regulators)	0-60 psig / 0-4 bar	K4515N18060
	0-160 psig / 0-11 bar	K4515N18160

For best performance, regulated pressure should always be set by increasing the pressure up to the desired setting.

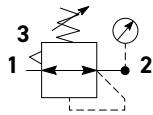
***For P31 Regulators with date code after November 2023 (4423 Date Code), please use these part numbers when ordering a replacement gauge.**



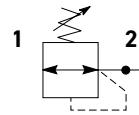
For inventory, lead times, and kit lookup, visit www.pdnplu.com

P32 Regulators - Compact

- Integral 1/4", 3/8" or 1/2" ports (NPT, BSPP & BSPT)
- Robust but lightweight aluminum construction
- Secondary pressure ranges
- Secondary aspiration plus balanced poppet provides quick response and accurate pressure regulation
- Relieving & non-relieving types
- Regulator will reverse flow as standard
- Non-rising knob
- Available T-handle



Self relieving regulator with gauge



Non-relieving regulator

Port Size	Description (Relieving)	Gauge	Part Number
1/4"	125 psig (8 bar)	None	P32RB92BNNP
1/4"	125 psig (8 bar)	Round	P32RB92BNGP
3/8"	125 psig (8 bar)	None	P32RB93BNNP
3/8"	125 psig (8 bar)	Round	P32RB93BNGP
1/2"	125 psig (8 bar)	None	P32RB94BNNP
1/2"	125 psig (8 bar)	Round	P32RB94BNGP

Operating information

Flow capacity*:	1/4	148 scfm (70 dm ³ /s, ANR)
	3/8, 1/2	165 scfm (78 dm ³ /s, ANR)
Operating temperature:	-13°F to 150°F (-25°C to 65.5°C)	
Supply pressure (max):	300 psig (20 bar)	
Adjusting range pressure:	30 psig (0-2 bar)	60 psig (0-4 bar)
	125 psig (0-8 bar)	250 psig (0-17 bar)
Gauge port (2 each)	1/4 NPT, BSPP, BSPT	
Weight:	0.90 lb (0.41 kg)	
* Inlet pressure 145 psig (10 bar). Secondary pressure 91.3 psig (6.3 bar) and 14.5 psig (1 bar) pressure drop.		

Ordering Information:

P32RB		9	2	B	N	G	P																												
Basic Series Global Modular Compact Regulator P32RB		Thread Type BSPP 1 BSPT 2 NPT 9		Port Size 1/4 2 3/8 3 1/2 4		Relief Relieving B Non-Relieving N																													
						Mounting P Plastic Panel Mount Nut																													
						Adjustment Range																													
						<table border="1"> <thead> <tr> <th colspan="2">With Square Gauge</th> <th colspan="2">With Round Gauge</th> </tr> <tr> <th>psig</th> <th>Bar</th> <th>Z</th> <th>M</th> </tr> </thead> <tbody> <tr> <td>1 = 30*</td> <td>V = 2*</td> <td>30 psig; 2 Bar; 0.2 MPa</td> <td>60 psig; 4 Bar; 0.4 MPa</td> </tr> <tr> <td>3 = 60</td> <td>S = 4</td> <td>G 125 psig; 8 Bar; 0.8 MPa</td> <td>J 250 psig; 17 Bar; 1.7 MPa</td> </tr> <tr> <td>5 = 125</td> <td>T = 8</td> <td colspan="2">Without Gauge</td> </tr> <tr> <td></td> <td></td> <td>Y 30 psig; 2 Bar; 0.2 MPa</td> <td>L 60 psig; 4 Bar; 0.4 MPa</td> </tr> <tr> <td></td> <td></td> <td>N 125 psig; 8 Bar; 0.8 MPa</td> <td>H 250 psig; 17 Bar; 1.7 MPa</td> </tr> </tbody> </table>		With Square Gauge		With Round Gauge		psig	Bar	Z	M	1 = 30*	V = 2*	30 psig; 2 Bar; 0.2 MPa	60 psig; 4 Bar; 0.4 MPa	3 = 60	S = 4	G 125 psig; 8 Bar; 0.8 MPa	J 250 psig; 17 Bar; 1.7 MPa	5 = 125	T = 8	Without Gauge				Y 30 psig; 2 Bar; 0.2 MPa	L 60 psig; 4 Bar; 0.4 MPa			N 125 psig; 8 Bar; 0.8 MPa	H 250 psig; 17 Bar; 1.7 MPa
With Square Gauge		With Round Gauge																																	
psig	Bar	Z	M																																
1 = 30*	V = 2*	30 psig; 2 Bar; 0.2 MPa	60 psig; 4 Bar; 0.4 MPa																																
3 = 60	S = 4	G 125 psig; 8 Bar; 0.8 MPa	J 250 psig; 17 Bar; 1.7 MPa																																
5 = 125	T = 8	Without Gauge																																	
		Y 30 psig; 2 Bar; 0.2 MPa	L 60 psig; 4 Bar; 0.4 MPa																																
		N 125 psig; 8 Bar; 0.8 MPa	H 250 psig; 17 Bar; 1.7 MPa																																
						Adjustment N Non-Rising Knob T T-Handle																													

* Regulator comes with gauge respective to the adjustment range selected.

Most popular.



For inventory, lead times, and kit lookup, visit www.pdnplu.com

Material Specifications

Body	Aluminum
Adjustment knob	Acetal
Bonnet	Glass-filled nylon
Diaphragm assembly	Nitrile / Zinc
Valve assembly	Brass / Nitrile
Springs	Steel, stainless steel
Seals	Nitrile
Panel nut	Acetal

Repair and Service Kits

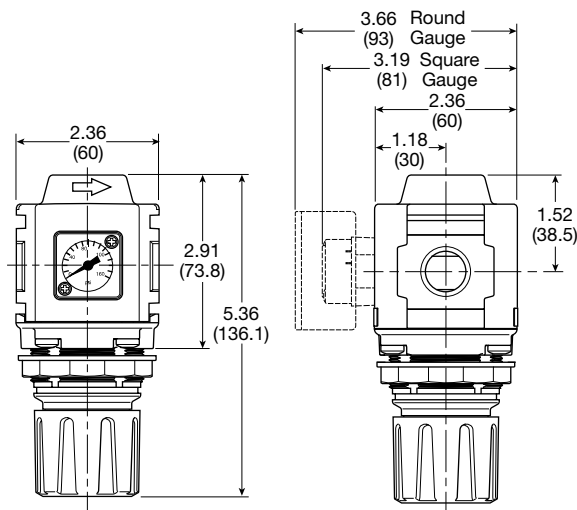
Diaphragm repair kit - relieving	P32KB00RB
Diaphragm repair kit - non-relieving	P32KB00RC
Panel mount nut - aluminum	P32KA00MM
Panel mount nut - plastic	P32KA00MP
Angle bracket (attaches via panel nut)	P32KB00MR
T-bracket with body connector	P32KA00MT
T-bracket	P32KA00MB
Body connector	P32KA00CB

WARNING

**Product rupture can cause serious injury.
 Do not connect regulator to bottled gas.
 Do not exceed Maximum primary pressure rating.**

CAUTION:

REGULATOR PRESSURE ADJUSTMENT – The working range of knob adjustment is designed to permit outlet pressures within their full range. Pressure adjustment beyond this range is also possible because the knob is not a limiting device. This is a common characteristic of most industrial regulators, and limiting devices may be obtained only by special design. For best performance, regulated pressure should always be set by increasing the pressure up to the desired setting.

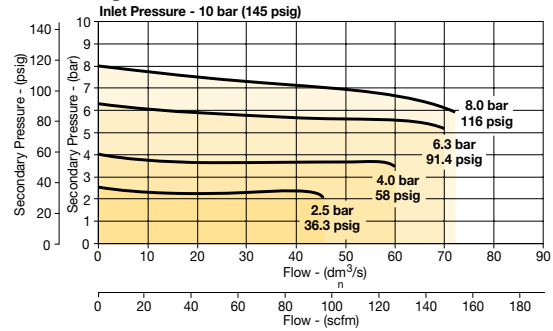


Inches (mm)

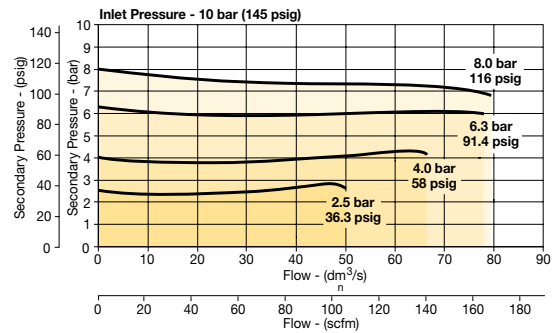
NOTE: 1.90 in. (48mm) hole required for panel nut mounting.

Flow Charts

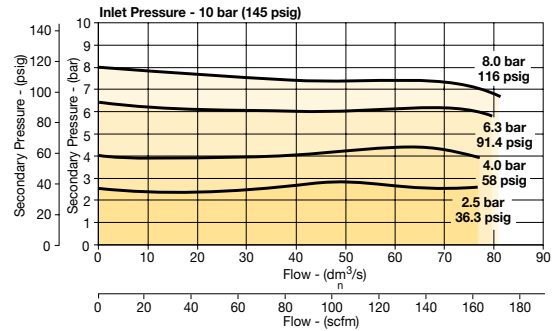
P32RB 1/4" Regulator



P32RB 3/8" Regulator



P32RB 1/2" Regulator



Gauges

Square flush mount gauge	0-4 bar	K4511SCR04B
	0-11 bar	K4511SCR11B
	0-60 psig	K4511SCR060
	0-160 psig	K4511SCR160
Square with adapter kit	0-4 bar	P6G-PR10040
	0-11 bar	P6G-PR10110
	0-60 psig	P6G-PR90060
	0-160 psig	P6G-PR90160
50mm (2") round 1/4" center back mount	0-30 psig / 0-2 bar	K4520N14030
	0-60 psig / 0-4 bar	K4520N14060
	0-160 psig / 0-11 bar	K4520N14160
	0-300 psig / 0-20 bar	K4520N14300

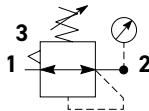
For best performance, regulated pressure should always be set by increasing the pressure up to the desired setting.



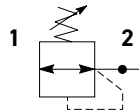
For inventory, lead times, and kit lookup, visit www.pdnplu.com

P32 Semi-Precision Regulator - Compact

- Integral 1/4", 3/8" or 1/2" ports (NPT, BSPP & BSPT)
- Robust but lightweight aluminum construction
- Secondary pressure ranges
- Secondary aspiration plus balanced poppet provides quick response and accurate pressure regulation
- Relieving & non-relieving types
- Regulator will reverse flow as standard
- Non-rising knob



Self relieving regulator with gauge



Non-relieving regulator

Port Size	Description (Relieving)	Gauge	Part Number
1/4"	125 psig (8 bar)	None	P32RB92PNNP
1/4"	125 psig (8 bar)	Round	P32RB92PNGP
3/8"	125 psig (8 bar)	None	P32RB93PNNP
3/8"	125 psig (8 bar)	Round	P32RB93PNGP
1/2"	125 psig (8 bar)	None	P32RB94PNNP
1/2"	125 psig (8 bar)	Round	P32RB94PNGP

Operating information

Flow capacity*:	1/4, 3/8, 1/2	53 scfm (25 dm ³ /s, ANR)
Effect of supply pressure variation		0.6 psig (0.04 bar) for 25 psig (1.7 bar) change in P1
Operating temperature:		-13°F to 150°F (-25°C to 65.5°C)
Supply pressure (max):		300 psig (20 bar)
Adjusting range pressure:		0 to 30 psig (0 to 2 bar) 0 to 60 psig (0 to 4 bar) 0 to 125 psig (0 to 8 bar) 0 to 250 psig (0 to 17 bar)
Gauge port (2 each):		1/4 NPT, BSPP, BSPT
Weight:		0.90 lb (0.41 kg)

* Inlet pressure 145 psig (10 bar). Secondary pressure 91.3 psig (6.3 bar) and 14.5 psig (1 bar) pressure drop.

Ordering Information:

P32RB		9	2	P	N	G	P
Basic Series Global Modular Compact Regulator P32RB		Thread Type BSPP 1 BSPT 2 NPT 9		Port Size 1/4 2 3/8 3 1/2 4		Relief Semi-Precision Relieving P Semi-Precision Non-Relieving T	
Mounting P Plastic Panel Mount Nut		Adjustment Range		Adjustment N Non-Rising Knob T T-Handle			
		With Square Gauge		With Round Gauge			
		psig Bar		Z 30 psig; 2 Bar; 0.2 MPa M 60 psig; 4 Bar; 0.4 MPa G 125 psig; 8 Bar; 0.8 MPa J 250 psig; 17 Bar; 1.7 MPa			
		1 = 30* V = 2* 3 = 60 S = 4 5 = 125 T = 8		Without Gauge Y 30 psig; 2 Bar; 0.2 MPa L 60 psig; 4 Bar; 0.4 MPa N 125 psig; 8 Bar; 0.8 MPa H 250 psig; 17 Bar; 1.7 MPa			

* Regulator comes with gauge respective to the adjustment range selected.

Most popular.



For inventory, lead times, and kit lookup, visit www.pdnplu.com

Compact Semi-Precision Regulators

Material Specifications

Body	Aluminum
Adjustment knob	Acetal
Bonnet	Glass-filled nylon
Diaphragm assembly	Nitrile / zinc
Valve assembly	Brass / nitrile
Springs	Steel, stainless steel
Seals	Nitrile
Panel nut	Acetal

Repair and Service Kits

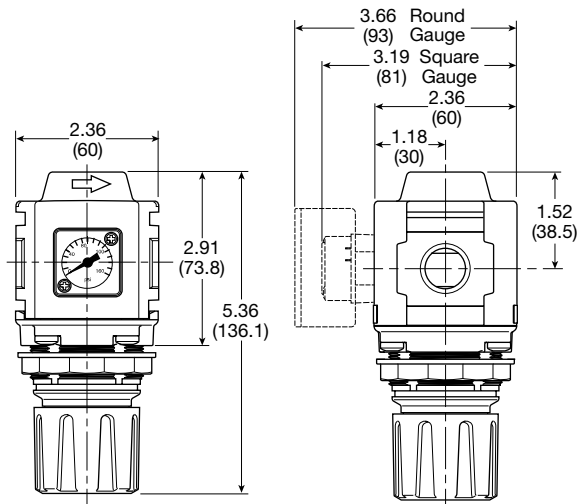
Diaphragm repair kit - relieving	P32KB00RB
Diaphragm repair kit - non-relieving	P32KB00RC
Panel mount nut - aluminum	P32KA00MM
Panel mount nut - plastic	P32KA00MP
Angle bracket (attaches via panel nut)	P32KB00MR
T-bracket with body connector	P32KA00MT
T-bracket	P32KA00MB
Body connector	P32KA00CB

WARNING

**Product rupture can cause serious injury.
Do not connect regulator to bottled gas.
Do not exceed Maximum primary pressure rating.**

CAUTION:

REGULATOR PRESSURE ADJUSTMENT – The working range of knob adjustment is designed to permit outlet pressures within their full range. Pressure adjustment beyond this range is also possible because the knob is not a limiting device. This is a common characteristic of most industrial regulators, and limiting devices may be obtained only by special design. For best performance, regulated pressure should always be set by increasing the pressure up to the desired setting.



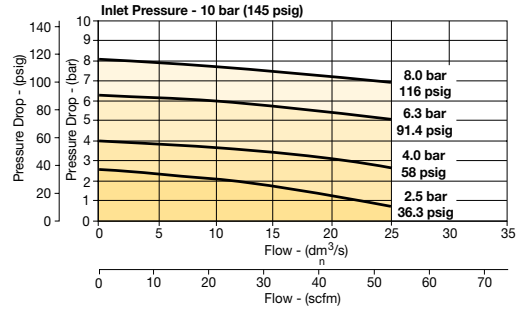
Inches (mm)

NOTE: 1.90 in. (48mm) hole required for panel nut mounting.

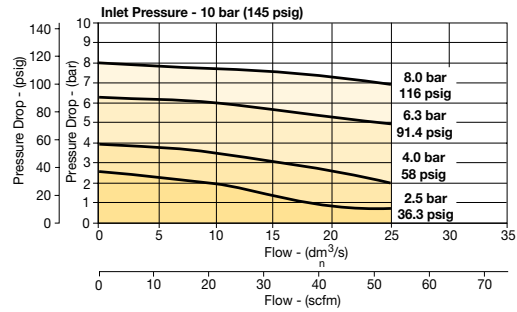
Air Preparation Products Global Air Preparation

Flow Charts

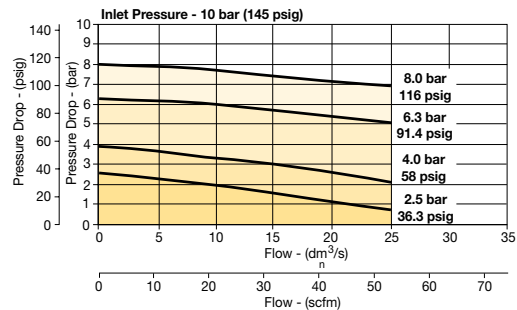
P32RB 1/4" Regulator



P32RB 3/8" Regulator



P32RB 1/2" Regulator



Gauges

Square flush mount gauge	0-4 bar	K4511SCR04B
	0-11 bar	K4511SCR11B
	0-60 psig	K4511SCR060
Square with adapter kit	0-160 psig	K4511SCR160
	0-4 bar	P6G-PR10040
	0-11 bar	P6G-PR10110
50mm (2") round 1/4" center back mount	0-60 psig	P6G-PR90060
	0-160 psig	P6G-PR90160
	0-30 psig / 0-2 bar	K4520N14030
	0-60 psig / 0-4 bar	K4520N14060
	0-160 psig / 0-11 bar	K4520N14160
	0-300 psig / 0-20 bar	K4520N14300

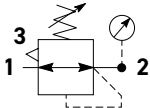
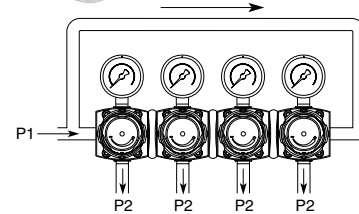
For best performance, regulated pressure should always be set by increasing the pressure up to the desired setting.



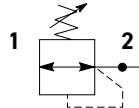
For inventory, lead times, and kit lookup, visit www.pdnplu.com

P32 Common - P1 Regulator - Compact

- Manifold style regulator with line pressure on both sides.
- Pressure output is at front or rear.
- Inlet ports 1/4", 3/8" or 1/2" (NPT, BSPP & BSPT)
- Working port 1/4"
- Robust construction
- Secondary pressure ranges
- Secondary aspiration plus balanced poppet provides quick response and accurate pressure regulation
- Relieving & non-relieving types
- Regulator will reverse flow as standard
- Non-rising knob



Self relieving regulator with gauge



Non-relieving regulator

Port Size	Description (Relieving)	Gauge	Part Number
1/4"	125 psig (8 bar)	None	P32HB92BNNP
3/8"	125 psig (8 bar)	None	P32HB93BNNP
1/2"	125 psig (8 bar)	None	P32HB94BNNP

Operating information

Flow capacity*: 1/4, 3/8, 1/2 64 scfm (30 dm³/s, ANR)
 Operating temperature: -25°C to 65.5°C (-13°F to 150°F)
 Supply pressure (max): 300 psig (20 bar)
 Adjusting range pressure: 0 to 30 psig (0 to 2 bar)
 0 to 60 psig (0 to 4 bar)
 0 to 125 psig (0 to 8 bar)
 0 to 232 psig (0 to 16 bar)
 Gauge port (2 each): 1/4 NPT, BSPP, BSPT
 Weight: 0.50 lb (0.23 kg)
 * Inlet pressure 145 psig (10 bar). Secondary pressure 91.3 psig (6.3 bar) and 14.5 psig (1 bar) pressure drop.

Ordering Information:

P32HB 9 2 B N N P

Basic Series Global Modular Compact Regulator P32HB	Thread Type BSPP 1 BSPT 2 NPT 9	Port Size † 1/4 2 3/8 3 1/2 4 <small>† Working port 1/4"</small>	Relief Relieving B Non-Relieving N	Mounting P Plastic Panel Mount Nut	Adjustment Range																												
					<table border="1"> <thead> <tr> <th colspan="2">With Square Gauge</th> <th colspan="2">With Round Gauge</th> </tr> <tr> <th>psig</th> <th>Bar</th> <th>Z</th> <th>M</th> </tr> </thead> <tbody> <tr> <td>1 = 30*</td> <td>V = 2*</td> <td>30 psig; 2 Bar; 0.2 MPa</td> <td>60 psig; 4 Bar; 0.4 MPa</td> </tr> <tr> <td>3 = 60</td> <td>S = 4</td> <td>G 125 psig; 8 Bar; 0.8 MPa</td> <td>J 250 psig; 17 Bar; 1.7 MPa</td> </tr> <tr> <td>5 = 125</td> <td>T = 8</td> <td colspan="2">Without Gauge</td> </tr> <tr> <td></td> <td></td> <td>Y 30 psig; 2 Bar; 0.2 MPa</td> <td>L 60 psig; 4 Bar; 0.4 MPa</td> </tr> <tr> <td></td> <td></td> <td>N 125 psig; 8 Bar; 0.8 MPa</td> <td>H 250 psig; 17 Bar; 1.7 MPa</td> </tr> </tbody> </table>	With Square Gauge		With Round Gauge		psig	Bar	Z	M	1 = 30*	V = 2*	30 psig; 2 Bar; 0.2 MPa	60 psig; 4 Bar; 0.4 MPa	3 = 60	S = 4	G 125 psig; 8 Bar; 0.8 MPa	J 250 psig; 17 Bar; 1.7 MPa	5 = 125	T = 8	Without Gauge				Y 30 psig; 2 Bar; 0.2 MPa	L 60 psig; 4 Bar; 0.4 MPa			N 125 psig; 8 Bar; 0.8 MPa	H 250 psig; 17 Bar; 1.7 MPa
With Square Gauge		With Round Gauge																															
psig	Bar	Z	M																														
1 = 30*	V = 2*	30 psig; 2 Bar; 0.2 MPa	60 psig; 4 Bar; 0.4 MPa																														
3 = 60	S = 4	G 125 psig; 8 Bar; 0.8 MPa	J 250 psig; 17 Bar; 1.7 MPa																														
5 = 125	T = 8	Without Gauge																															
		Y 30 psig; 2 Bar; 0.2 MPa	L 60 psig; 4 Bar; 0.4 MPa																														
		N 125 psig; 8 Bar; 0.8 MPa	H 250 psig; 17 Bar; 1.7 MPa																														
				Adjustment N Non-Rising Knob T T-Handle																													

* Regulator comes with gauge respective to the adjustment range selected.

Most popular.



For inventory, lead times, and kit lookup, visit www.pdnplu.com

P
 Global Air Preparation
 Introduction
 Filters
 Coalescers
 Regulators
 Filter / Regulators
 Lubricators
 Combinations
 Accessories and Kits

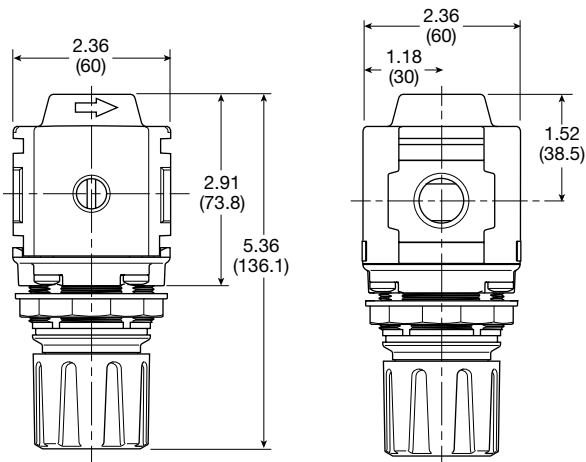
Compact Common P1 Precision Regulator

Material Specifications

Body	Aluminum
Adjustment knob	Acetal
Bonnet	Glass-filled nylon
Diaphragm assembly	Nitrile / zinc
Valve assembly	Brass / nitrile
Springs	Steel, stainless steel
Seals	Nitrile
Panel nut	Acetal

Repair and Service Kits

Diaphragm repair kit - relieving	P32KB00RB
Diaphragm repair kit - non-relieving	P32KB00RC
Panel mount nut - aluminum	P32KA00MM
Panel mount nut - plastic	P32KA00MP
Angle bracket (attaches via panel nut)	P32KB00MR
T-bracket with body connector	P32KA00MT
T-bracket	P32KA00MB
Body connector	P32KA00CB



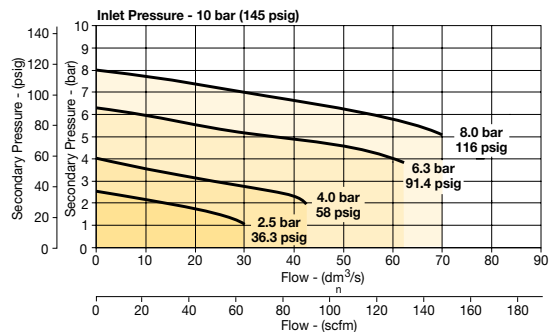
Inches (mm)

NOTE: 1.90 in. (48mm) hole required for panel nut mounting.

Air Preparation Products Global Air Preparation

Flow Charts

P32HB Common Port Regulator



⚠ WARNING

**Product rupture can cause serious injury.
Do not connect regulator to bottled gas.
Do not exceed Maximum primary pressure rating.**

CAUTION:

REGULATOR PRESSURE ADJUSTMENT – The working range of knob adjustment is designed to permit outlet pressures within their full range. Pressure adjustment beyond this range is also possible because the knob is not a limiting device. This is a common characteristic of most industrial regulators, and limiting devices may be obtained only by special design. For best performance, regulated pressure should always be set by increasing the pressure up to the desired setting.

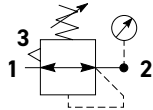
Gauges

Square flush mount gauge	0-4 bar	K4511SCR04B
	0-11 bar	K4511SCR11B
	0-60 psig	K4511SCR060
	0-160 psig	K4511SCR160
Square with adapter kit	0-4 bar	P6G-PR10040
	0-11 bar	P6G-PR10110
	0-60 psig	P6G-PR90060
	0-160 psig	P6G-PR90160
50mm (2") round 1/4" center back mount	0-30 psig / 0-2 bar	K4520N14030
	0-60 psig / 0-4 bar	K4520N14060
	0-160 psig / 0-11 bar	K4520N14160
	0-300 psig / 0-20 bar	K4520N14300

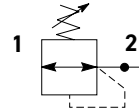
For best performance, regulated pressure should always be set by increasing the pressure up to the desired setting.

P33 Regulators - Standard

- Integral 1/2" or 3/4" ports (NPT, BSPP & BSPT)
- Robust but lightweight aluminum construction
- Secondary pressure ranges
- Secondary aspiration plus balanced poppet provides quick response and accurate pressure regulation
- Relieving & non-relieving types
- Non-rising knob



Self relieving regulator with gauge



Non-relieving regulator

Port Size	Description (Relieving)	Gauge	Part Number
1/2"	125 psig (8 bar)	None	P33RA94BNNP
1/2"	125 psig (8 bar)	Round	P33RA94BNGP
3/4"	125 psig (8 bar)	None	P33RA96BNNP
3/4"	125 psig (8 bar)	Round	P33RA96BNGP

Operating information

Flow capacity*:	233 scfm (110 dm ³ /s, ANR)
Operating temperature:	-13°F to 150°F (-25°C to 65.5°C)
Supply pressure (max):	300 psig (20 bar)
Adjusting range pressure:	0 to 30 psig (0 to 2 bar) 0 to 60 psig (0 to 4 bar) 0 to 125 psig (0 to 8 bar) 0 to 250 psig (0 to 17 bar)
Gauge port (2 each):	1/4 NPT, BSPP, BSPT
Weight:	1.37 lb (0.62 kg)

* Inlet pressure 145 psig (10 bar). Secondary pressure 91.3 psig (6.3 bar) and 14.5 psig (1 bar) pressure drop.

Ordering Information:

P33RA 9 6 B N G P

Basic Series Global Modular Standard Regulator P33RA	Thread Type BSPP 1 BSPT 2 NPT 9	Port Size 1/2 4 3/4 6	Relief Relieving B Non-Relieving N Reverse Flow-Relieving R	Adjustment Non-Rising Knob N	Mounting P Plastic Panel Mount Nut
			Adjustment Range		
			With Round Gauge		
			Z	30 psig; 2 Bar; 0.2 MPa	
			M	60 psig; 4 Bar; 0.4 MPa	
			G	125 psig; 8 Bar; 0.8 MPa	
			J	250 psig; 17 Bar; 1.7 MPa	
			Without Gauge		
			Y	30 psig; 2 Bar; 0.2 MPa	
			L	60 psig; 4 Bar; 0.4 MPa	
			N	125 psig; 8 Bar; 0.8 MPa	
			H	250 psig; 17 Bar; 1.7 MPa	

Most popular.



For inventory, lead times, and kit lookup, visit www.pdnplu.com

Material Specifications

Body	Aluminum
Adjustment knob	Acetal
Body cap	ABS
Bonnet	Glass-filled nylon
Diaphragm assembly	Nitrile / zinc
Valve assembly	Brass / nitrile
Springs	Steel, stainless steel
Seals	Nitrile
Panel nut	Acetal

Repair and Service Kits

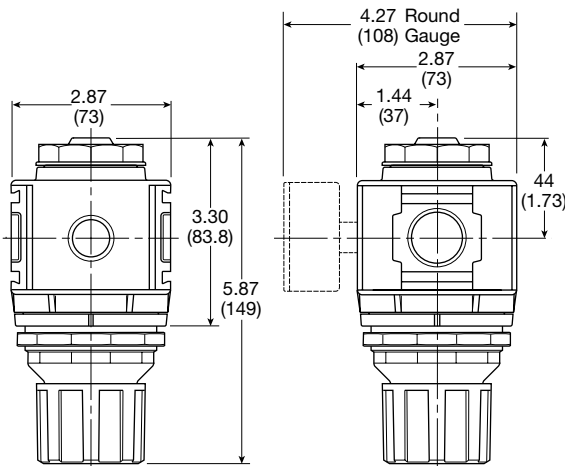
Diaphragm repair kit - relieving	P33KA00RB
Diaphragm repair kit - non-relieving	P33KA00RC
Panel mount nut - aluminum	P33KA00MM
Panel mount nut - plastic	P33KA00MP
Angle bracket (attaches via panel nut)	P33KA00MR
T-bracket with body connector	P32KA00MT
T-bracket	P32KA00MB
Body connector	P32KA00CB

⚠ WARNING

**Product rupture can cause serious injury.
 Do not connect regulator to bottled gas.
 Do not exceed Maximum primary pressure rating.**

CAUTION:

REGULATOR PRESSURE ADJUSTMENT – The working range of knob adjustment is designed to permit outlet pressures within their full range. Pressure adjustment beyond this range is also possible because the knob is not a limiting device. This is a common characteristic of most industrial regulators, and limiting devices may be obtained only by special design. For best performance, regulated pressure should always be set by increasing the pressure up to the desired setting.

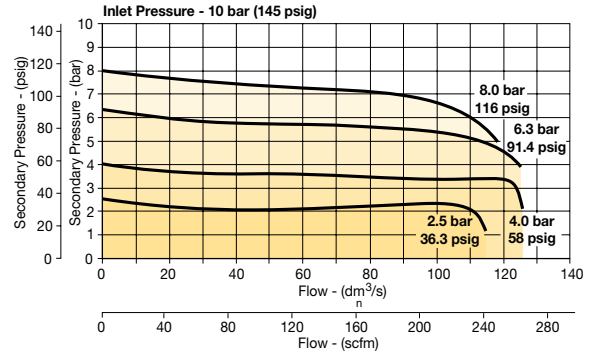


Inches (mm)

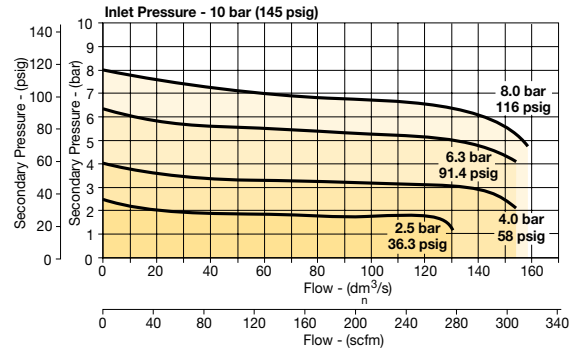
NOTE: 2.40 in. (61mm) hole required for panel nut mounting.

Flow Charts

P33RA 1/2" Regulator



P33RA 3/4" Regulator



Gauges

50mm (2") round	0-30 psig / 0-2 bar	K4520N14030
1/4" center back mount	0-60 psig / 0-4 bar	K4520N14060
	0-160 psig / 0-11 bar	K4520N14160
	0-300 psig / 0-20 bar	K4520N14300

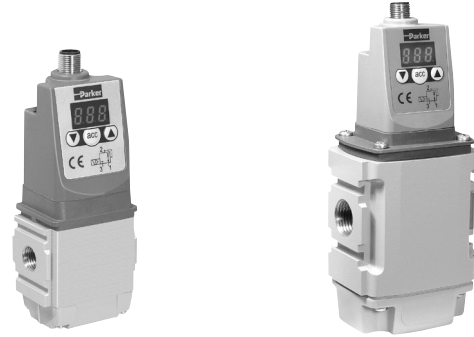
For best performance, regulated pressure should always be set by increasing the pressure up to the desired setting.



For inventory, lead times, and kit lookup, visit www.pdnplu.com

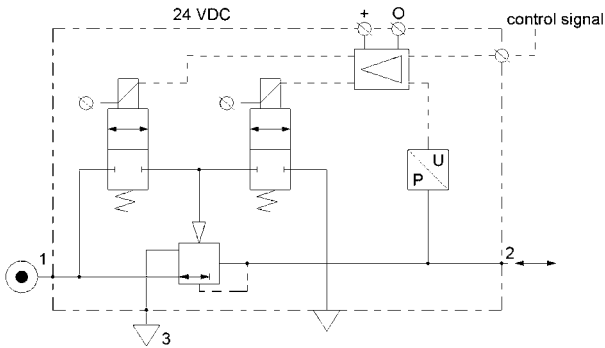
P31P & P32P Proportional Regulators

- Very fast response times
- Accurate output pressure
- Parameter settings
- Selectable I/O parameters
- Quick, full flow exhaust
- LED display indicates output pressure
- No air consumption in steady state
- Multiple mounting options
- Protection to IP65



P31P Series
Bottom exhaust

P32P Series
Bottom exhaust



Port Size	Description	Part Number
1/4"	145 psig (0-10 bar), NC 0-10V	P31PA92AD2VD1A
1/2"	145 psig (0-10 bar), NC 0-10V	P32PA94AD2VD1A

Operating information

Flow capacity*:	P31P	40 scfm (19 dm ³ /s, ANR)
	P32P	120 scfm (57 dm ³ /s, ANR)
Temperature range:	32°F to 122°F (0°C to 50°C)	
Supply pressure (max):	2 bar unit	36.3 psig (2.5 bar)
	10 bar unit	152 psig (10.5 bar)
Operating pressure (min):	P2 pressure + 7.3 psig (0.5 bar)	
Working medium:	Compressed air or inert gasses, filtered to 40µ	
Pressure range:	0 to 30 psig (0 to 2 bar)	
	0 to 145 psig (0 to 10 bar)	
Weight:	P31P	0.64 lb (0.291 kg)
	P32P	1.42 lb (0.645 kg)

* Inlet pressure 91.3 psig (6.3 bar), inlet pressure and 4.9 psig (0.34 bar) pressure drop.

Ordering Information:

P31PA 9 2 A D 2 V D 1 A

Body Size	Thread Type	Power Supply	Control Signal	Input Connector
Global Modular Mini (1/4") P31PA	BSPP 1	2 24 Volts	V 0-10V [‡]	1 M12 (4-pin)
Global Modular Compact (1/2") P32PA	BSPT 2 NPT 9			

Port Size	Pressure Range	Version
Global Modular Mini (1/4") 2	Z 0 - 29 psig (0 - 2 Bar)	Bottom Ported Exhaust (NC) A
Global Modular Compact (1/2") 4	D 0 - 145 psig (0 - 10 Bar)	Bottom Ported Forced Exhaust (NO) [†] E

[†] When the supply voltage is lost the unit will automatically exhaust the regulated pressure to 0 bar (atmospheric pressure)

[‡] Factory setting is 0-10 V control signal. 4-20 mA control signal available via parameter 4 on keypad.

Output Signal
D Digital, PNP
P PNP or 0-10V
N NPN or 0-10V
M 4-20mA Fixed

D) Digital PNP output only, no analog output selectable
 P) Digital PNP and analogue 0-10V outputs selectable, by means of parameter 6. (Factory default 0-10V)
 N) Digital NPN and analogue 0-10 V outputs selectable by means of parameter 6. (Factory default 0-10V)
 M) Analog 4-20mA output only.
 Note: On all analog outputs the F.S. value can be adjusted by means of parameter 8.

Most popular.



For inventory, lead times, and kit lookup, visit www.pdnplu.com

Proportional Regulators

Technical Information

Accuracy

+/- 1.0% of F.S.*

* Full scale (F.S.) - For 2 bar (29 psig) versions this will be 2 bar (29 psig), for the 10 bar (145 psig) version full scale will be 10 bar (145 psig).

Air consumption

No consumption in stable regulated situation.

Display

The regulator is provided with a digital display, indicating the output pressure, either in bar or psig.

The factory setting is as indicated on the label, can be changed through to software at all times (parameter 14)

Supply voltage

24 VDC +/- 10%

Power consumption

Max. 1.1W with unloaded signal outputs

Control signals

The electronic pressure regulator can be externally controlled through an analogue control signal of either 0-10V or 4-20mA. (parameter 4).

Output signals

As soon as the output pressure is within the signal band a signal is given of 24VDC, PNP Ri = 1 kOhm
Outside the signal band this connection is 0V.

Connections

(In case of output signal (Option D)

Central M12 connector 4-pole

The electrical connections are as follows:

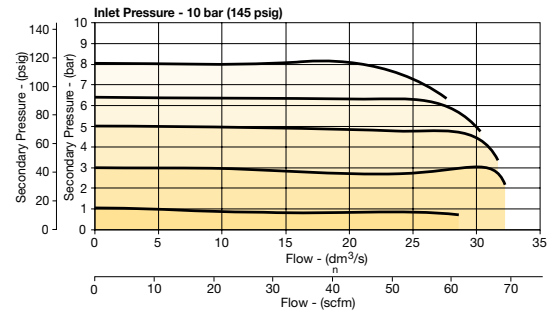
Pin No.	Function	Color
1	24 V Supply	Brown
2	0 to 10 V Control Signal Ri = 100k Ω	White
	4 to 20mA Control Signal Ri = 500 Ω	
3	0 V (GND) Supply & Set Point Ground	Blue
4	24 V Alarm Output Signal	Black

Air Preparation Products

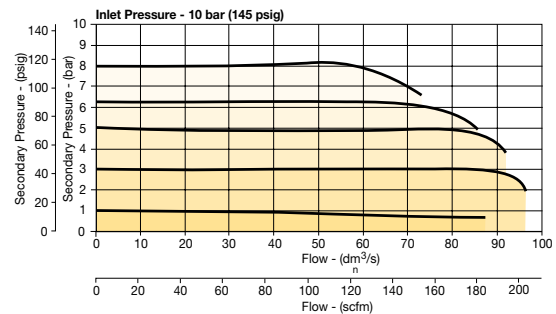
Global Air Preparation

Flow Charts

P31P Regulator 1/4" Ports



P32P Regulator 1/2" Ports



Degree of protection: IP65

EU conformity

CE: standard

EMC: according to directive 89/336/EEC

This pressure regulator is in accordance with:

EN 61000-6-1:2001 **EN 61000-6-2:2001**
EN 61000-6-3:2001 **EN 61000-6-4:2001**

Mounting position

Preferably vertical, with the cable gland on top.

Materials: P31P & P32P

Magnet core	Steel
Solenoid valve poppet	FPM
Solenoid valve housing	Techno polymer
Regulator body (P31P & P32P versions)	Aluminum
Regulator top housing	Nylon
Valve head	Brass & NBR
Remaining seals	NBR

How to change parameters – How to Videos available at www.pdnetools.com

Pressing the Accept key “acc” for more than 3 seconds, will activate parameter change mode. The user can then select the parameters by pressing up or down key (display will show Pxx). When parameter number is correct, pressing accept again will enter parameter number (display will show parameter value).

Pressing the up or down key will change the parameter itself (display will flash indicating parameter editing mode). Pressing the accept key will accept the new parameter value (all digits will flash whilst being accepted).

After releasing all keys, the next parameter number will be presented on the display (you may step to the next parameter). When no key is pressed, after 3 seconds the display will show the actual output pressure.

When the unit is initially powered up allow approximately 10 seconds for the unit to “boot-up” before changing parameter settings.

Only parameter numbers 0, 4, 6, 8, 9, 14, 18, 19, 20, 12, 13 and 21 are accessible to edit. All other parameters are fixed.

Manual mode:



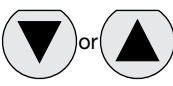

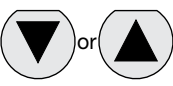







When keys DOWN and UP are pressed during startup, (connecting to the 24V power supply) manual mode is activated. This means that the user is able to in/decrease the output pressure of the regulator, by pressing the UP or DOWN key. During this action the display will blink, indicating that the manual mode is activated. After powering up again, the unit will revert back to normal mode.

Back to Factory Setting

After start up. (Power is on)

Entering this value in parameter 0 will store the calibrated factory data into the working parameters. (Default calibration data is used)



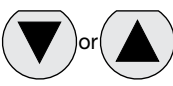

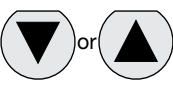







Parameter Number 0 - Reset Back to Factory Settings

Step	1	2	3	4	5	
Press 	 3-6 seconds					
Until Display Reads			 Flashing Decimal	 Flashing Decimal	 Flashing	
Description	Accesses changeable parameters.	Accesses parameter no. 0.	Displays current parameter value.	Edits parameter. 3 = standard factory settings. If other than 3, use Up or Down Arrow and accept 3	Accepts and saves new parameter setting.	Sequences to next parameter.

Set Control Signal

The unit is factory set for 0- 10 V control signal. If 4-20 mA control signal is required, change parameter 4.

Parameter Number 4 - Set Control Signal in Volts or Milliamps

Step	1	2	3	4	5	
Press 	 3-6 seconds					
Until Display Reads			 Flashing Decimal	 Flashing Decimal	 Flashing	
Description	Accesses changeable parameters.	Accesses parameter no. 4.	Displays current parameter value. 1 = V 0 = mA	Edits parameter.	Accepts and saves new parameter setting.	Sequences to next parameter.

How to Videos at www.pdnetools.com

B
 Global Air Preparation
 Introduction
 Filters
 Coalescers
 Regulators
 Filter / Regulators
 Lubricators
 Combinations
 Accessories and Kits



For inventory, lead times, and kit lookup, visit www.pdnplu.com

Set Output Signal

Parameter 6 is used to set the type of output signal to your PLC.
 This parameter is used as follows:

Output Signal option "0" = Digital Output - PNP

- Factory set at "0" Non Adjustable

Output Signal option "P" = Digital PNP or Analog 1-10V

- Factory set at "1" for Analog Signal
- Convert to Digital PNP by changing parameter to "0" setting

Output Signal option "N" = Digital NPN or Analog 1-10V

- Factory set at "1" Analog Signal
- Convert to Digital NPN by changing parameter to "0"

Output Signal option "M" = Analog 4-20 mA

- Factory set at "2" Non Adjustable

B

Global Air Preparation

Introduction

Filters

Coalescers

Regulators


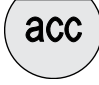
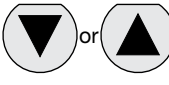
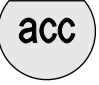
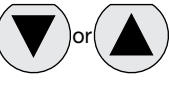







Filter / Regulators

Lubricators

Combinations

Accessories and Kits

Parameter Number 6 - Set Output Signal

Step	1	2	3	4	5	
Press 	 3-6 seconds					
Until Display Reads			 Flashing Decimal	 Flashing Decimal (Value 0, 1 or 2)	 Flashing	
Description	Accesses changeable parameters.	Accesses parameter no. 6.	Displays current parameter value. 1 = m factory default for P3H with analog options	Edits parameter. 0 = digital (NPN or PNP) 1 = analog 0..10V 2 = analog 4..20 mA	Accepts and saves new parameter setting.	Sequences to next parameter.



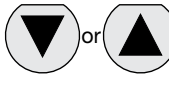

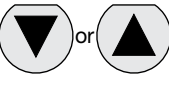
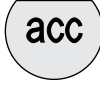






Adjust Span Analog Output Signal

Set value is a % of Full Analog range. As an example for a 0-10V output signal, the original factory setting of 100% will give you an adjustment of 0-10V. If you reset Parameter 8 to 50%, the new output range would be 0-5V or 50% of the full range.

In the event that the output signal is too low, in a certain application, you can adjust it by increasing Parameter 8 to a maximum value of 130% of scale.

Note that all values are nominal and that an actual measurement may be required to ensure signal strength.

Parameter Number 8 - Adjust Span Analog Output Signal

Step	1	2	3	4	5	
Press 	 3-6 seconds					
Until Display Reads			 Flashing Decimal (For 2 bar versions value = 92)	 Flashing Decimal (Value between 0 and 130)	 Flashing	
Description	Accesses changeable parameters.	Accesses parameter no. 8.	Displays current parameter value.	Edits parameter.	Accepts and saves new parameter setting and implements the new analog signal span.	Sequences to next parameter.

How to Videos at www.pdnetools.com



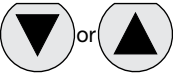

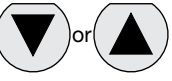









For inventory, lead times, and kit lookup, visit www.pdnplu.com

Adjust Digital Display

If necessary, adjustments can be made to the digital display when using an external pressure sensor.



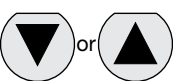

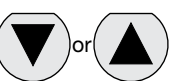







Parameter Number 9 - Adjust Digital Display Value (Pressure Calibration)

Step	1	2	3	4	5	
Press 	 3-6 seconds					
Until Display Reads			 Flashing Decimal	 Flashing Decimal	 Flashing	
Description	Accesses changeable parameters.	Accesses parameter no. 9.	Displays current digital display	Use up or down arrows and accept to adjust the display value if using an external pressure sensor.	Accepts and saves new parameter setting.	Sequences to next parameter.

Set Pressure Scale

Units with NPT port threads are supplied with a factory set psig pressure scale. Use parameter 14 to change scale to bar.

Parameter Number 14 - Set Pressure Scale in psig or bar

Step	1	2	3	4	5	
Press 	 3-6 seconds					
Until Display Reads			 Flashing Decimal	 Flashing Decimal	 Flashing	
Description	Accesses changeable parameters.	Accesses parameter no. 14.	Displays current parameter value. 1 = psig 0 = bar 2 = MPa	Edits parameter.	Accepts and saves new parameter setting.	Sequences to next parameter.

How to Videos at www.pdnetools.com



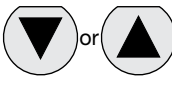

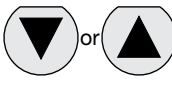









For inventory, lead times, and kit lookup, visit www.pdnplu.com

B
Global Air Preparation
Introduction
Filters
Coalescers
Regulators
Filter / Regulators
Lubricators
Combinations
Accessories and Kits

Preset Minimum Pressure

If there is a need for a pre-set Minimum pressure, use parameter 18. (Note: preset pressure is affected by % P19.)

Parameter Number 18 - Set Minimum Preset Pressure						
Step	1	2	3	4	5	
Press 	 3-6 seconds					
Until Display Reads			 Flashing Decimal	 Flashing Decimal (value between 0 and 200)	 Flashing	
Description	Accesses changeable parameters.	Accesses parameter no. 18.	Displays current parameter value. Incremental value is: 2 bar unit: $x 2 \text{ mbar} \times \% P19$ 10 bar unit: $x 10 \text{ mbar} \times \% P19$	Edits parameter.	Accepts and saves new parameter setting.	Sequences to next parameter.



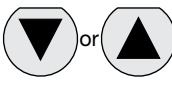

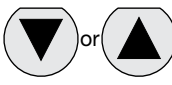







Set Pressure Correction

Pressure correction allows the user to set a Maximum pressure as a percentage of secondary pressure F.S.

Example: If F.S. is 10 bar, set parameter 19 to 50 for Maximum preset pressure of 5 bar.

Pressure correction also affects the Minimum preset pressure in parameter 18.

Example: If F.S. is 10 bar and parameter 18 is set to a value of 100 (1 bar), and parameter 19 is set to 50%, then the actual Minimum preset pressure seen is 0.5 bar.

Parameter Number 19 - Set Maximum Preset Pressure						
Step	1	2	3	4	5	
Press 	 3-6 seconds					
Until Display Reads			 Flashing Decimal	 Flashing Decimal (value between 0 and 100)	 Flashing	
Description	Accesses changeable parameters.	Accesses parameter no. 19.	Displays current parameter value. Incremental value is: % of F.S.	Edits parameter.	Accepts and saves new parameter setting.	Sequences to next parameter.

How to Videos at www.pdnetools.com



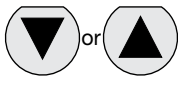

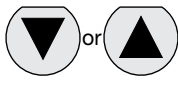









For inventory, lead times, and kit lookup, visit www.pdnplu.com

Behavior Control

The regulation speed of the pressure regulator can be modified by means of one parameter. (P 20)
 The value in this parameter has a range from 0-5. A higher value indicates slower regulation speed, but will be more stable.

Parameter Number 20 - Set Behavior Control



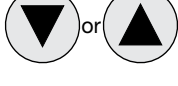

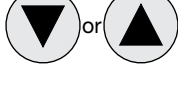







Step	1	2	3	4	5	
Press 	 3-6 seconds					
Until Display Reads			 Flashing Decimal	 Flashing Decimal (value between 0 and 5)	 Flashing	
Description	Accesses changeable parameters.	Accesses parameter no. 20.	Displays current parameter value.	Edits parameter 0 = custom set* 1 = fastest (narrow proportional band) 2 = fast 3 = normal 4 = slow 5 = slowest (proportional band is broad)	Accepts and saves new parameter setting.	Sequences to next parameter.

* When the value 0 is entered, you are able to create your own custom settings true parameters 12, 13 and 21.

Fine Settings
Set Proportional Band

Proportional band is used for setting the reaction sensitivity of the regulator. The displayed value is X 10 mbar and has a range between 50 (0.5 bar) and 250 (2.5 bar).

Parameter Number 12 - Set Proportional Band (P20 Must be Set to 0)

Step	1	2	3	4	5	
Press 	 3-6 seconds					
Until Display Reads			 Flashing Decimal	 Flashing Decimal (value between 50 and 250)	 Flashing	
Description	Accesses changeable parameters.	Accesses parameter no. 12.	Displays current parameter value. Incremental value is: x 10 mbar	Edits parameter.	Accepts and saves new parameter setting.	Sequences to next parameter.

How to Videos at www.pdnetools.com





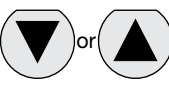

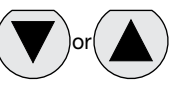







For inventory, lead times, and kit lookup, visit www.pdnplu.com

B
 Global Air Preparation
 Introduction
 Filters
 Coalescers
 Regulators
 Filter / Regulators
 Lubricators
 Combinations
 Accessories and Kits

Set Deadband



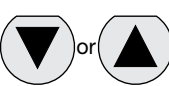

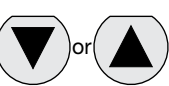







Deadband is the Minimum limit of accuracy at which the regulator is set for normal operation. The displayed value is X 10 mbar and has a range between 4 (40 mbar) and 40 (400 mbar).

Parameter Number 13 - Set Deadband (P20 Must be Set to 0)



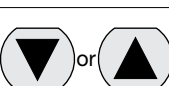




Step	1	2	3	4	5	
Press 	 3-6 seconds					
Until Display Reads			 Flashing Decimal	 Flashing Decimal (value between 4 and 40)	 Flashing	
Description	Accesses changeable parameters.	Accesses parameter no. 13.	Displays current parameter value. Incremental value is x 10 mbar	Edits parameter.	Accepts and saves new parameter setting.	Sequences to next parameter.

Proportional Effect

Parameter Number 21 - Set Proportional Effect (P20 Must be Set to 0)

Step	1	2	3	4	5	
Press 	 3-6 seconds					
Until Display Reads			 Flashing Decimal	 Flashing Decimal (value between 5 and 100)	 Flashing	
Description	Accesses changeable parameters.	Accesses parameter no. 21.	Displays current parameter value.	Edits parameter. 5 = fastest regulation 100 = slowest regulation.	Accepts and saves new parameter setting.	Sequences to next parameter.

Parameter Number 39 - Displays Current Software Version

Step	1	2	3	
Press 	 3-6 seconds			
Until Display Reads			 Flashing Decimal	
Description	Accesses changeable parameters.	Accesses parameter no. 39.	Displays current parameter value. XXX = current software version	

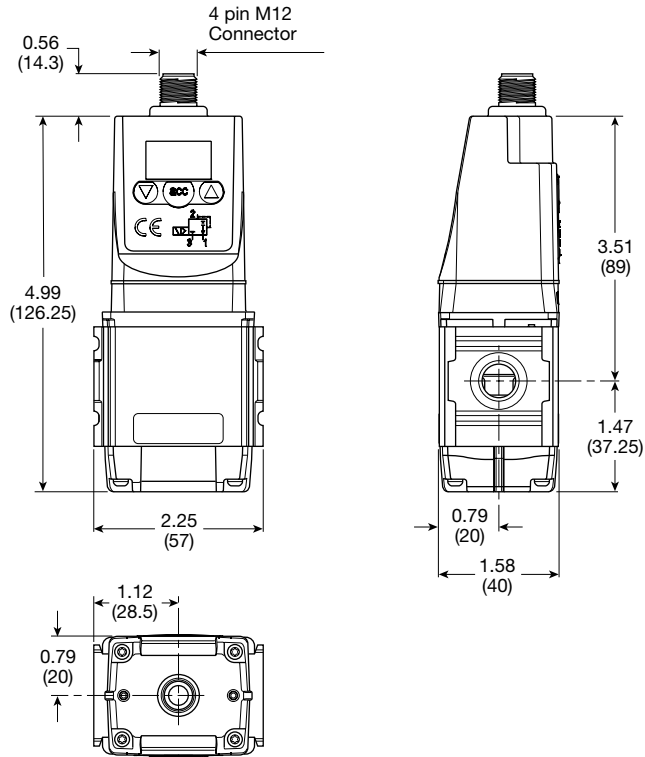
How to Videos at www.pdnetools.com



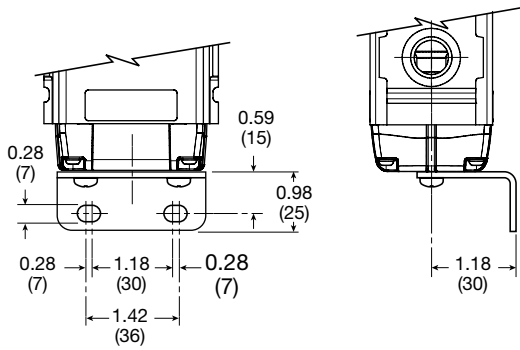
For inventory, lead times, and kit lookup, visit www.pdnplu.com

P31P

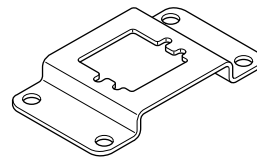
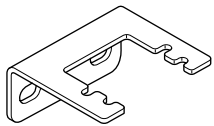
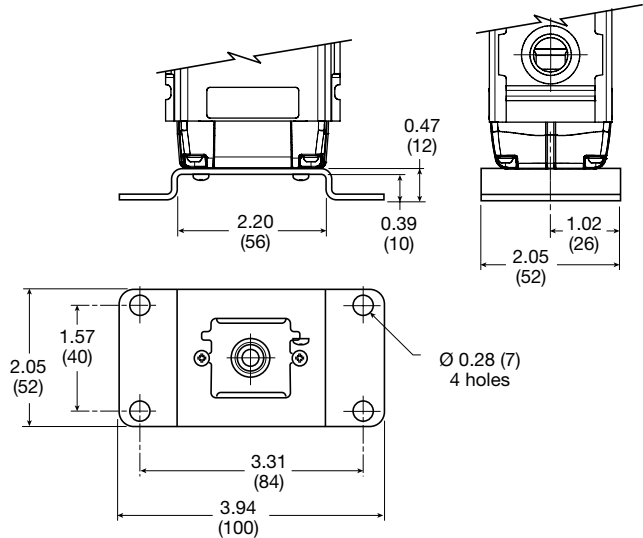
Dimensions inches (mm)



L-Bracket
P3HKA00ML



Foot Bracket
P3HKA00MC



Cables

Description	Part Number
2 mtr. cable with moulded straight M12x1 connector	CB-M12-4P-2M

Most popular.

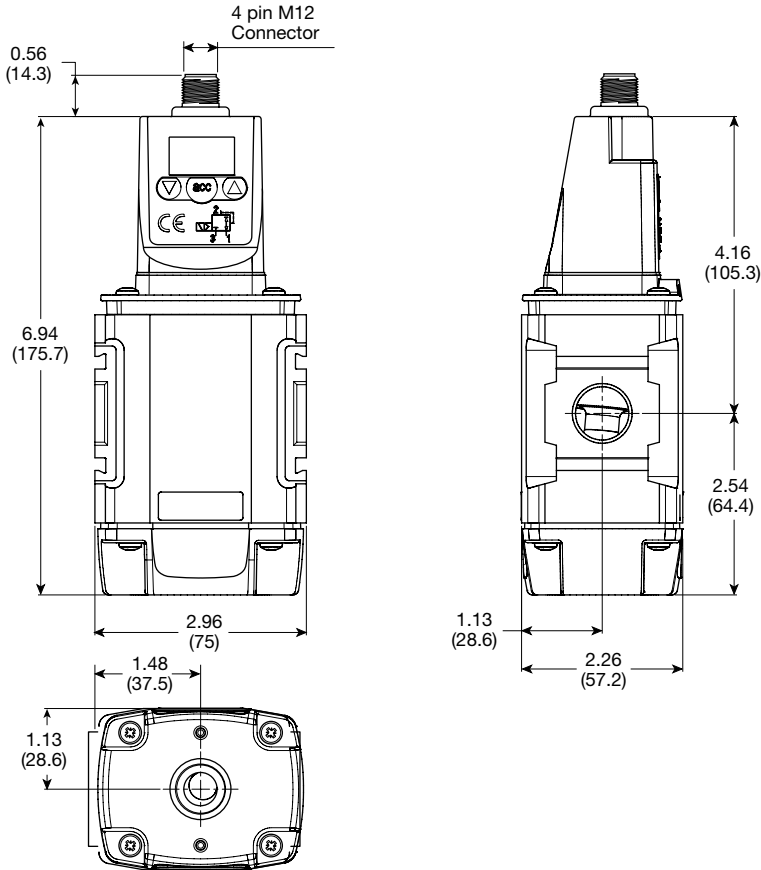
B
Global Air Preparation
Introduction
Filters
Coalescers
Regulators
Filter / Regulators
Lubricators
Combinations
Accessories and Kits



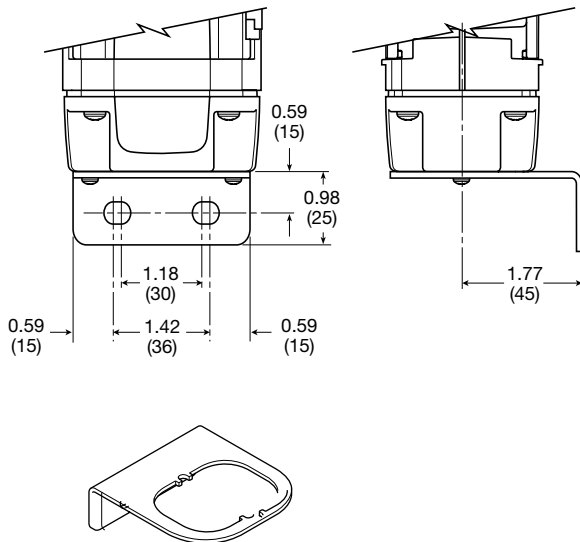
For inventory, lead times, and kit lookup, visit www.pdnplu.com

P32P

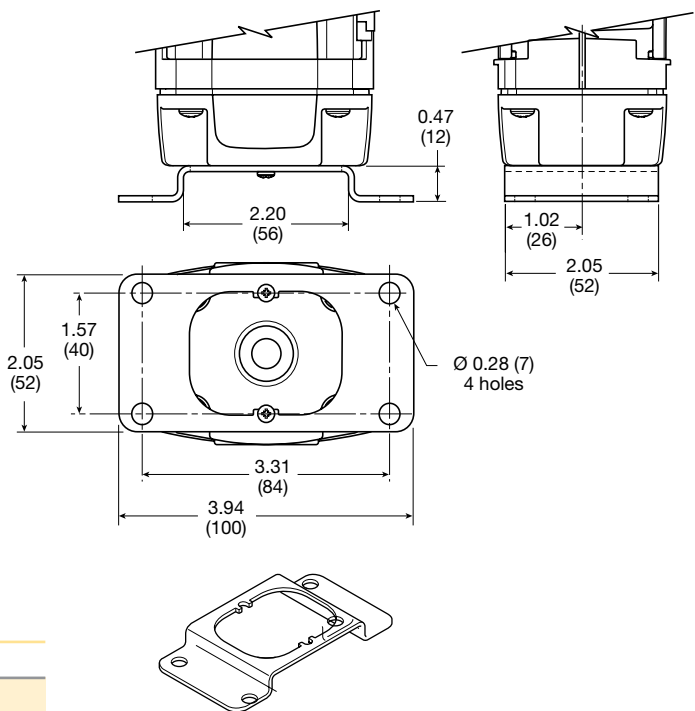
Dimensions inches (mm)



L-Bracket
P3KKA00ML



Foot Bracket
P3KKA00MC



Cables

Description	Part Number
2 mtr. cable with moulded straight M12x1 connector	CB-M12-4P-2M

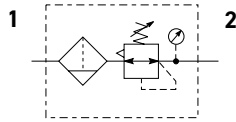
Most popular.



For inventory, lead times, and kit lookup, visit www.pdnplu.com

P31 Filter / Regulators - Mini

- Integral 1/4" ports (NPT, BSPP & BSPT)
- High efficiency 5 micron element as standard
- Excellent water removal efficiency
- Robust but lightweight aluminum construction
- Positive bayonet latch to ensure correct & safe fitting
- Secondary pressure ranges
- Secondary aspiration plus balanced poppet provides quick response and accurate pressure regulation



Port Size	Description (Relieving)	Bowl / Drain Type †	Part Number
1/4"	125 psig (8 bar)	Poly / Manual	P31EB92EGMBN5P
1/4"	125 psig (8 bar)	Poly / Pulse	P31EB92EGBBN5P
1/4"	125 psig (8 bar)	Metal / Manual	P31EB92EMMBN5P
1/4"	125 psig (8 bar)	Metal / Pulse	P31EB92EMBBN5P

† For polycarbonate bowl, see caution in Engineering Section A.

Operating information

Flow capacity*:	1/4	73 scfm (35 dm ³ /s, ANR)
Operating temperature†:		
Plastic bowl		14°F to 125°F (-10°C to 52°C)
Metal bowl		14°F to 150°F (-10°C to 65.5°C)
Supply pressure (max):		
Plastic bowl		150 psig (10 bar)
Metal bowl		250 psig (17 bar)
Standard filtration		5 micron
Useful retention†:		0.4 US oz. (12 cm ³)
Adjusting range pressure:		0 to 30 psig (0 to 2 bar) 0 to 60 psig (0 to 4 bar) 0 to 125 psig (0 to 8 bar) 0 to 250 psig (0 to 17 bar)
Weight:		0.42 lb (0.19 kg)

* Inlet pressure 145 psig (10 bar). Secondary pressure 100 psig (6.9 bar) and 14.5 psig (1 bar) pressure drop.

† Units with square gauges: 5°F to 150°F (-15°C to 65.5°C)

‡ Useful retention refers to volume below the quiet zone baffle.

Gauge supplied with every part. Gauge can be installed on the front or back of the regulator. If no gauge is installed, both seal screws must be installed.

Air quality: **Within ISO 8573-1: 1991 Class 3 (Particulates)**
Within ISO 8573-1: 2001 Class 6 (Particulates)

Ordering Information:

P31EB 9 2 E G M B N 5 P

Basic Series Global Modular Mini Filter / Regulator P31EB	Thread Type BSPP 1 BSPT 2 NPT 9	Element 5µ Element E	Port Size 1/4 2	Bowl Type Poly Bowl with Bowl Guard G Metal Bowl without Sight Gauge M	Adjustment N Non-Rising Knob	Mounting P Plastic Panel Mount Nut															
					Relief B Relieving N Non-Relieving																
						Adjustment Range With Square Gauge															
						<table border="1"> <thead> <tr> <th>psig</th> <th>Bar</th> <th>MPa</th> </tr> </thead> <tbody> <tr> <td>1 = 30*</td> <td>V = 2*</td> <td>2 = 0.2*</td> </tr> <tr> <td>3 = 60</td> <td>S = 4</td> <td>4 = 0.4</td> </tr> <tr> <td>5 = 125</td> <td>T = 8</td> <td>6 = 0.8</td> </tr> <tr> <td>7[§] = 232</td> <td>W[§] = 16</td> <td>8[§] = 1.6</td> </tr> </tbody> </table>	psig	Bar	MPa	1 = 30*	V = 2*	2 = 0.2*	3 = 60	S = 4	4 = 0.4	5 = 125	T = 8	6 = 0.8	7 [§] = 232	W [§] = 16	8 [§] = 1.6
psig	Bar	MPa																			
1 = 30*	V = 2*	2 = 0.2*																			
3 = 60	S = 4	4 = 0.4																			
5 = 125	T = 8	6 = 0.8																			
7 [§] = 232	W [§] = 16	8 [§] = 1.6																			
						Drain Type Pulse Drain B Manual Drain M															

* Regulator comes with gauge respective to the adjustment range available.
 § Not available with poly bowl with bowl guard.

Most popular.



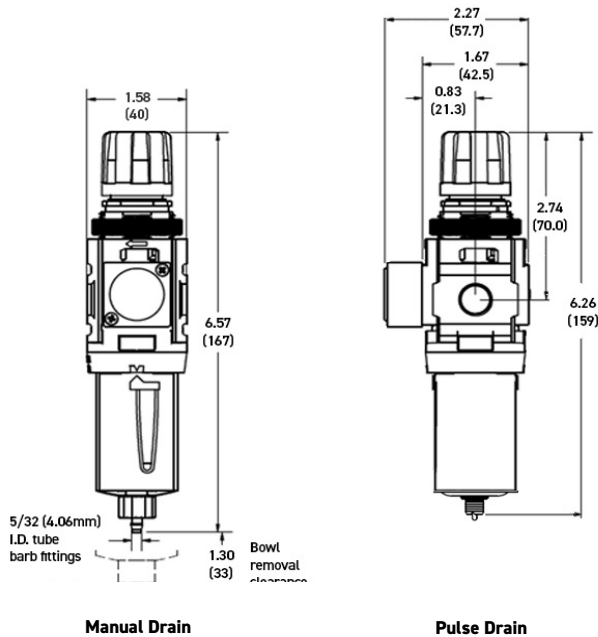
For inventory, lead times, and kit lookup, visit www.pdnplu.com

Material Specifications

Body	Aluminum
Adjustment knob	Acetal
Bonnet	Glass-filled nylon
Plastic bowl	Polycarbonate
Metal bowl	Aluminum
Bowl guard	Nylon
Filter element	Polyethylene
Seals	Nitrile
Springs	Steel
Valve assembly	Acetal / Nitrile
Diaphragm assembly	Stainless Steel / Nitrile
Panel nut	Acetal

Repair and Service Kits

Plastic bowl / bowl guard manual drain	P31KB00BGM
Plastic bowl / bowl guard pulse drain	P31KB00BGB
Metal bowl / w/o sight gauge pulse drain	P31KB00BMB
5µ particle filter element	P31KA00ESE
Panel mount nut - aluminum	P31KA00MM
Panel mount nut - plastic	P31KA00MP
Angle bracket (attaches via panel nut)	P31KB00MR
C-bracket (fits to body)	P31KA00MW
T-bracket with body connector	P31KA00MT
Body connector	P31KA00CB

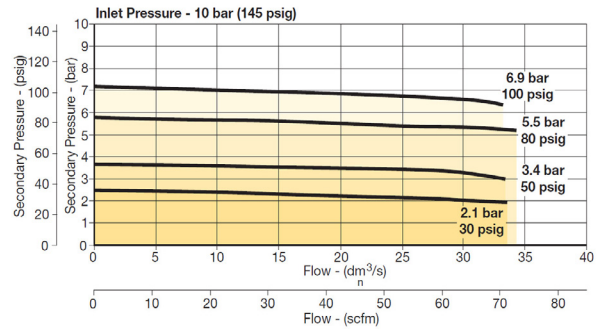


WARNING

**Product rupture can cause serious injury.
 Do not connect regulator to bottled gas.
 Do not exceed Maximum primary pressure rating.**

Flow Charts

P31EB 1/4" Filter / Regulator



Gauges (*see note below)

Square flush mount gauge	0-60 psig	P31KA060XB
	0-160 psig	P31KA160XB
	0-290 psig	P31KA290XB
	0-4 bar	P31KA04BXB
	0-11 bar	P31KA11BXB
	0-20 bar	P31KA20BXB
	0-0.4 MPa	P31KA04MXB
	0-1.1 MPa	P31KA11MXB
	0-2.0 MPa	P31KA20MXB
	Square flush mount gauge	0-4 bar
0-11 bar		K4511SCR11B
0-60 psig		K4511SCR060
0-160 psig		K4511SCR160
Square with adapter kit	0-4 bar	P6G-PR10040
	0-11 bar	P6G-PR10110
	0-60 psig	P6G-PR90060
	0-160 psig	P6G-PR90160
1.00" Round 1/8" center back mount	0-60 psig / 1-4 bar	K4510N18060
	0-160 psig / 0-11 bar	K4510N18160
40mm Round 1/8" center back mount (not for use with common port regulators)	0-30 psig / 0-2 bar	K4515N18030
	0-60 psig / 0-4 bar	K4515N18060
	0-160 psig / 0-11bar	K4515N18160
	0-60 psig	P31KA060XB

For best performance, regulated pressure should always be set by increasing the pressure up to the desired setting.

***For P31 Regulators with date code after November 2023 (4423 Date Code), please use these part numbers when ordering a replacement gauge.**

CAUTION:

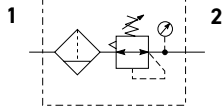
REGULATOR PRESSURE ADJUSTMENT – The working range of knob adjustment is designed to permit outlet pressures within their full range. Pressure adjustment beyond this range is also possible because the knob is not a limiting device. This is a common characteristic of most industrial regulators, and limiting devices may be obtained only by special design. For best performance, regulated pressure should always be set by increasing the pressure up to the desired setting.



For inventory, lead times, and kit lookup, visit www.pdnplu.com

P32 Filter / Regulators - Compact

- Integral 1/4", 3/8" or 1/2" ports (NPT, BSPP & BSPT)
- High efficiency 5 micron element as standard
- Excellent water removal efficiency
- Robust but lightweight aluminum construction
- Positive bayonet latch to ensure correct & safe fitting
- Secondary pressure ranges
- Secondary aspiration plus balanced poppet provides quick response and accurate pressure regulation



Port Size	Description (Relieving)	Bowl / Drain Type †	Part Number
1/4"	125 psig (8 bar)	Poly / Manual	P32EB92EGMBNGP
1/4"	125 psig (8 bar)	Poly / Auto	P32EB92EGABNGP
1/4"	125 psig (8 bar)	Metal / Manual	P32EB92ESMBNGP
1/4"	125 psig (8 bar)	Metal / Auto	P32EB92ESABNGP
3/8"	125 psig (8 bar)	Poly / Manual	P32EB93EGMBNGP
3/8"	125 psig (8 bar)	Poly / Auto	P32EB93EGABNGP
3/8"	125 psig (8 bar)	Metal / Manual	P32EB93ESMBNGP
3/8"	125 psig (8 bar)	Metal / Auto	P32EB93ESABNGP
1/2"	125 psig (8 bar)	Poly / Manual	P32EB94EGMBNGP
1/2"	125 psig (8 bar)	Poly / Auto	P32EB94EGABNGP
1/2"	125 psig (8 bar)	Metal / Manual	P32EB94ESMBNGP
1/2"	125 psig (8 bar)	Metal / Auto	P32EB94ESABNGP

† For polycarbonate bowl, see caution in Engineering Section A.

Ordering Information:

Operating information

Flow capacity*:	1/4	148 scfm (70 dm ³ /s, ANR)
	3/8	158 scfm (75 dm ³ /s, ANR)
	1/2	164 scfm (77 dm ³ /s, ANR)
Operating temperature:		
Plastic bowl	-13°F to 125°F (-25°C to 52°C)	
Metal bowl	-13°F to 150°F (-25°C to 65.5°C)	
Supply pressure (max):		
Plastic bowl	150 psig (10 bar)	
Metal bowl	250 psig (17 bar)	
Standard filtration:	5 micron	
Useful retention†:	1.7 US oz. (51 cm ³)	
Adjusting range pressure:	0 to 30 psig (0 to 2 bar) 0 to 60 psig (0 to 4 bar) 0 to 125 psig (0 to 8 bar) 0 to 250 psig (0 to 17 bar)	
Gauge port (2 each):	1/4 NPT, BSPP, BSPT	
Weight:	1.17 lb (0.53 kg)	
* Inlet pressure 145 psig (10 bar). Secondary pressure 91.3 psig (6.3 bar) and 14.5 psig (1 bar) pressure drop.		
† Useful retention refers to volume below the quiet zone baffle.		

Air quality: **Within ISO 8573-1: 1991 Class 3 (Particulates)**
Within ISO 8573-1: 2001 Class 6 (Particulates)

P32EB		9	2	E	G	M	B	N	5	P																																							
Basic Series	Global Modular Compact Filter / Regulator	Thread Type	BSPP 1 BSPT 2 NPT 9	Element	5µ E Element	Bowl Type	Poly Bowl with Bowl Guard G Metal Bowl without Sight Gauge M Metal Bowl with Sight Gauge S	Adjustment	N Non-Rising Knob T T-Handle	Mounting	P Plastic Panel Mount Nut																																						
Port Size	1/4 2 3/8 3 1/2 4	Relief	B Relieving N Non-Relieving	Drain Type	Manual Drain M Auto Drain A Flex Drain X	Adjustment Range	<table border="1"> <thead> <tr> <th colspan="2">With Square Gauge</th> <th colspan="2">With Round Gauge</th> </tr> <tr> <th>psig</th> <th>Bar</th> <th>Z</th> <th></th> </tr> </thead> <tbody> <tr> <td>1 = 30*</td> <td>V = 2*</td> <td>M</td> <td>30 psig; 2 Bar; 0.2 MPa</td> </tr> <tr> <td>3 = 60</td> <td>S = 4</td> <td>G</td> <td>60 psig; 4 Bar; 0.4 MPa</td> </tr> <tr> <td>5 = 125</td> <td>T = 8</td> <td>J[§]</td> <td>125 psig; 8 Bar; 0.8 MPa</td> </tr> <tr> <td colspan="4">Without Gauge</td> </tr> <tr> <td colspan="2"></td> <td>Y</td> <td>30 psig; 2 Bar; 0.2 MPa</td> </tr> <tr> <td colspan="2"></td> <td>L</td> <td>60 psig; 4 Bar; 0.4 MPa</td> </tr> <tr> <td colspan="2"></td> <td>N</td> <td>125 psig; 8 Bar; 0.8 MPa</td> </tr> <tr> <td colspan="2"></td> <td>H[§]</td> <td>250 psig; 17 Bar; 1.7 MPa</td> </tr> </tbody> </table>		With Square Gauge		With Round Gauge		psig	Bar	Z		1 = 30*	V = 2*	M	30 psig; 2 Bar; 0.2 MPa	3 = 60	S = 4	G	60 psig; 4 Bar; 0.4 MPa	5 = 125	T = 8	J [§]	125 psig; 8 Bar; 0.8 MPa	Without Gauge						Y	30 psig; 2 Bar; 0.2 MPa			L	60 psig; 4 Bar; 0.4 MPa			N	125 psig; 8 Bar; 0.8 MPa			H [§]	250 psig; 17 Bar; 1.7 MPa	* Regulator comes with gauge respective to the adjustment range selected. § Not available with poly bowl with bowl guard.
With Square Gauge		With Round Gauge																																															
psig	Bar	Z																																															
1 = 30*	V = 2*	M	30 psig; 2 Bar; 0.2 MPa																																														
3 = 60	S = 4	G	60 psig; 4 Bar; 0.4 MPa																																														
5 = 125	T = 8	J [§]	125 psig; 8 Bar; 0.8 MPa																																														
Without Gauge																																																	
		Y	30 psig; 2 Bar; 0.2 MPa																																														
		L	60 psig; 4 Bar; 0.4 MPa																																														
		N	125 psig; 8 Bar; 0.8 MPa																																														
		H [§]	250 psig; 17 Bar; 1.7 MPa																																														

Most popular.



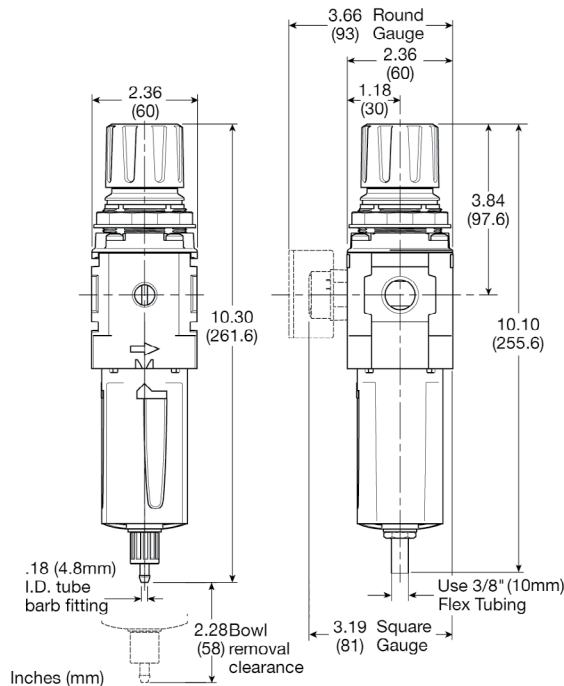
For inventory, lead times, and kit lookup, visit www.pdnplu.com

Material Specifications

Body	Aluminum
Adjustment knob	Acetal
Element retainer / baffle	Acetal
Plastic bowl	Polycarbonate
Metal bowl	Aluminum
Bowl guard	Nylon
Filter element polyethylene	Sintered
Seals	Nitrile
Springs	Steel, stainless steel
Valve assembly	Brass / nitrile
Diaphragm assembly	Nitrile / zinc
Panel nut	Acetal
Sight gauge	Nylon

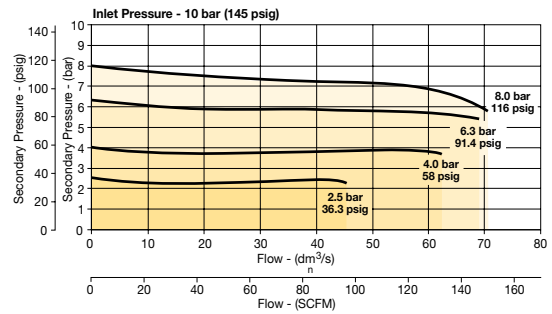
Repair and Service Kits

Plastic bowl / bowl guard manual drain	P32KB00BGM
Metal bowl / sight gauge manual drain	P32KB00BSM
Auto drain	P32KA00DA
5µ particle filter element	P32KA00ESE
Diaphragm repair kit - relieving	P32KB00RB
Diaphragm repair kit - non-relieving	P32KB00RC
Panel mount nut - aluminum	P32KA00MM
Panel mount nut - plastic	P32KA00MP
Angle bracket (fits to panel mount threads)	P32KB00MR
T-bracket (fits to body connector)	P32KA00MB
T-bracket with body connector	P32KA00MT
Body connector	P32KA00CB

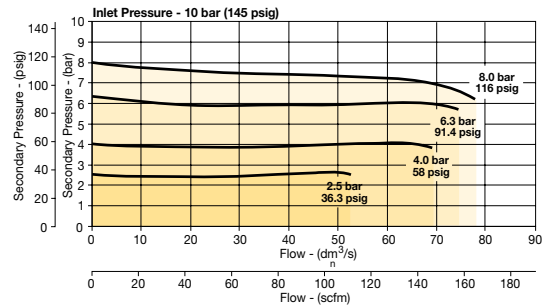


Flow Charts

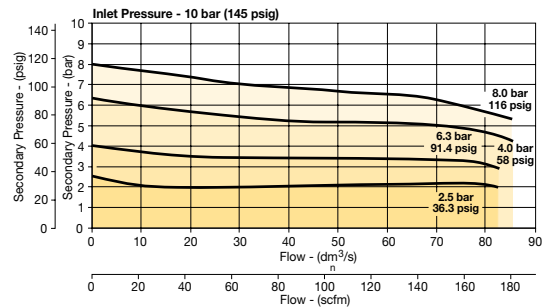
P32EB 1/4" Filter / Regulator



P32EB3/8" Filter/Regulator



P32EB 1/2" Filter/Regulator



⚠ WARNING

**Product rupture can cause serious injury.
 Do not connect regulator to bottled gas.
 Do not exceed Maximum primary pressure rating.**

CAUTION:

REGULATOR PRESSURE ADJUSTMENT – The working range of knob adjustment is designed to permit outlet pressures within their full range. Pressure adjustment beyond this range is also possible because the knob is not a limiting device. This is a common characteristic of most industrial regulators, and limiting devices may be obtained only by special design. For best performance, regulated pressure should always be set by increasing the pressure up to the desired setting.

Gauges

50mm (2") round	0-30 psig / 0-2 bar	K4520N14030
1/4" center back mount	0-60 psig / 0-4 bar	K4520N14060
	0-160 psig / 0-11 bar	K4520N14160
	0-300 psig / 0-20 bar	K4520N14300

For best performance, regulated pressure should always be set by increasing the pressure up to the desired setting.

B

Global Air Preparation

Introduction

Filters

Coalescers

Regulators

Filter / Regulators

Lubricators

Combinations

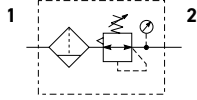
Accessories and Kits



For inventory, lead times, and kit lookup, visit www.pdnplu.com

P32 Semi-Precision Filter / Regulators - Compact

- Integral 1/4", 3/8" or 1/2" ports (NPT, BSPP & BSPT)
- High efficiency 5 micron element as standard
- Excellent water removal efficiency
- Robust but lightweight aluminum construction
- Positive bayonet latch to ensure correct & safe fitting
- Secondary pressure ranges
- Secondary aspiration plus balanced poppet provides quick response and accurate pressure regulation



Port Size	Description / Relieving	Bowl / Drain Type †	Part Number
1/4"	125 psig (8 bar)	Poly / Manual	P32EB92EGMPNGP
1/4"	125 psig (8 bar)	Poly / Auto	P32EB92EGAPNGP
1/4"	125 psig (8 bar)	Metal / Manual	P32EB92ESMPNGP
1/4"	125 psig (8 bar)	Metal / Auto	P32EB92ESAPNGP
3/8"	125 psig (8 bar)	Poly / Manual	P32EB93EGMPNGP
3/8"	125 psig (8 bar)	Poly / Auto	P32EB93EGAPNGP
3/8"	125 psig (8 bar)	Metal / Manual	P32EB93ESMPNGP
3/8"	125 psig (8 bar)	Metal / Auto	P32EB93ESAPNGP
1/2"	125 psig (8 bar)	Poly / Manual	P32EB94EGMPNGP
1/2"	125 psig (8 bar)	Poly / Auto	P32EB94EGAPNGP
1/2"	125 psig (8 bar)	Metal / Manual	P32EB94ESMPNGP
1/2"	125 psig (8 bar)	Metal / Auto	P32EB94ESAPNGP

† For polycarbonate bowl, see caution in Engineering Section A.

Operating information

Flow capacity*: 1/4, 3/8, 1/2 75 scfm (35 dm³/s, ANR)
 Effect of supply pressure variation 0.6 psig (0.04 bar) for 25 psig (1.7 bar) change in P1
 Operating temperature:
 Plastic bowl -13°F to 125°F (-25°C to 52°C)
 Metal bowl -13°F to 150°F (-25°C to 65.5°C)
 Supply pressure (max):
 Plastic bowl 150 psig (10 bar)
 Metal bowl 250 psig (17 bar)
 Standard filtration: 5 micron
 Useful retention[†]: 1.7 US oz. (51 cm³)
 Adjusting range pressure:
 0 to 30 psig (0 to 2 bar)
 0 to 60 psig (0 to 4 bar)
 0 to 125 psig (0 to 8 bar)
 0 to 250 psig (0 to 17 bar)
 Gauge port (2 each): 1/4 NPT, BSPP, BSPT
 Weight: 1.17 lbs (0.53 kg)

* Inlet pressure 145 psig (10 bar). Secondary pressure 91.3 psig (6.3 bar) and 14.5 psig (1 bar) pressure drop.

† Useful retention refers to volume below the quiet zone baffle.

Air quality: Within ISO 8573-1: 1991 Class 3 (Particulates)
 Within ISO 8573-1: 2001 Class 6 (Particulates)

Ordering Information:

P32EB	9	2	E	G	M	P	N	G	P																																								
Basic Series Global Modular Compact Filter / Regulator P32EB	Thread Type BSPP 1 BSPT 2 NPT 9	Port Size 1/4 2 3/8 3 1/2 4	Element 5µ E Element	Bowl Type Poly Bowl with Bowl Guard G Metal Bowl without Sight Gauge M Metal Bowl with Sight Gauge S	Drain Type Manual Drain M Auto Drain A	Adjustment N Non-Rising Knob T T-Handle	Relief P Semi-Precision Relieving T Semi-Precision Non-Relieving	Mounting P Plastic Panel Mount Nut	Adjustment Range																																								
								<table border="1"> <thead> <tr> <th colspan="2">With Square Gauge</th> <th colspan="2">With Round Gauge</th> </tr> </thead> <tbody> <tr> <td>psig</td> <td>Bar</td> <td>Z</td> <td>30 psig; 2 Bar; 0.2 MPa</td> </tr> <tr> <td>1 = 30*</td> <td>V = 2*</td> <td>M</td> <td>60 psig; 4 Bar; 0.4 MPa</td> </tr> <tr> <td>3 = 60</td> <td>S = 4</td> <td>G</td> <td>125 psig; 8 Bar; 0.8 MPa</td> </tr> <tr> <td>5 = 125</td> <td>T = 8</td> <td>J[§]</td> <td>250 psig; 17 Bar; 1.7 MPa</td> </tr> <tr> <td colspan="4">Without Gauge</td> </tr> <tr> <td colspan="2"></td> <td>Y</td> <td>30 psig; 2 Bar; 0.2 MPa</td> </tr> <tr> <td colspan="2"></td> <td>L</td> <td>60 psig; 4 Bar; 0.4 MPa</td> </tr> <tr> <td colspan="2"></td> <td>N</td> <td>125 psig; 8 Bar; 0.8 MPa</td> </tr> <tr> <td colspan="2"></td> <td>H[§]</td> <td>250 psig; 17 Bar; 1.7 MPa</td> </tr> </tbody> </table>		With Square Gauge		With Round Gauge		psig	Bar	Z	30 psig; 2 Bar; 0.2 MPa	1 = 30*	V = 2*	M	60 psig; 4 Bar; 0.4 MPa	3 = 60	S = 4	G	125 psig; 8 Bar; 0.8 MPa	5 = 125	T = 8	J [§]	250 psig; 17 Bar; 1.7 MPa	Without Gauge						Y	30 psig; 2 Bar; 0.2 MPa			L	60 psig; 4 Bar; 0.4 MPa			N	125 psig; 8 Bar; 0.8 MPa			H [§]	250 psig; 17 Bar; 1.7 MPa
With Square Gauge		With Round Gauge																																															
psig	Bar	Z	30 psig; 2 Bar; 0.2 MPa																																														
1 = 30*	V = 2*	M	60 psig; 4 Bar; 0.4 MPa																																														
3 = 60	S = 4	G	125 psig; 8 Bar; 0.8 MPa																																														
5 = 125	T = 8	J [§]	250 psig; 17 Bar; 1.7 MPa																																														
Without Gauge																																																	
		Y	30 psig; 2 Bar; 0.2 MPa																																														
		L	60 psig; 4 Bar; 0.4 MPa																																														
		N	125 psig; 8 Bar; 0.8 MPa																																														
		H [§]	250 psig; 17 Bar; 1.7 MPa																																														

Most popular.

* Regulator comes with gauge respective to the adjustment range selected.

§ Not available with poly bowl with bowl guard.



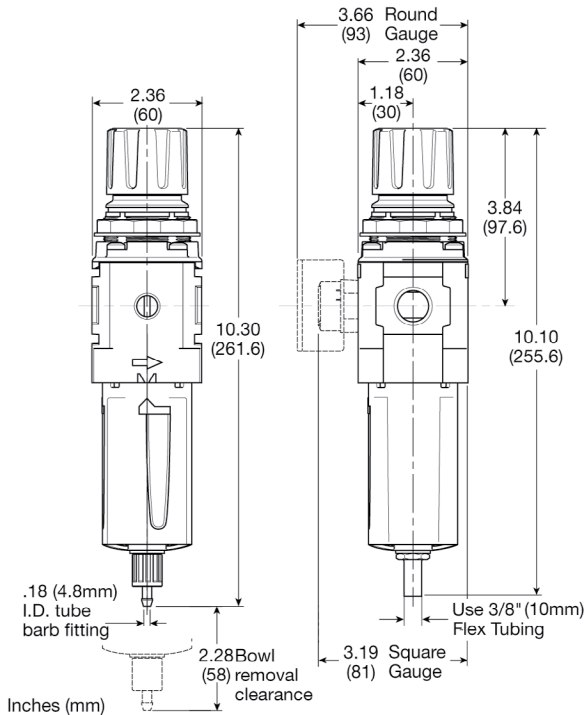
For inventory, lead times, and kit lookup, visit www.pdnplu.com

Material Specifications

Body	Aluminum
Adjustment knob	Acetal
Element retainer / baffle	Acetal
Plastic bowl	Polycarbonate
Metal bowl	Aluminum
Bowl guard	Nylon
Filter element polyethylene	Sintered
Seals	Nitrile
Springs	Steel, stainless steel
Valve assembly	Brass / nitrile
Diaphragm assembly	Nitrile / zinc
Panel nut	Acetal
Sight gauge	Nylon

Repair and Service Kits

Plastic bowl / bowl guard manual drain	P32KB00BGM
Metal bowl / sight gauge manual drain	P32KB00BSM
Auto drain	P32KA00DA
5µ particle filter element	P32KA00ESE
Diaphragm repair kit - relieving	P32KB00RB
Diaphragm repair kit - non-relieving	P32KB00RC
Panel mount nut - aluminum	P32KA00MM
Panel mount nut - plastic	P32KA00MP
Angle bracket (fits to panel mount threads)	P32KB00MR
T-bracket (fits to body connector)	P32KA00MB
T-bracket with body connector	P32KA00MT
Body connector	P32KA00CB

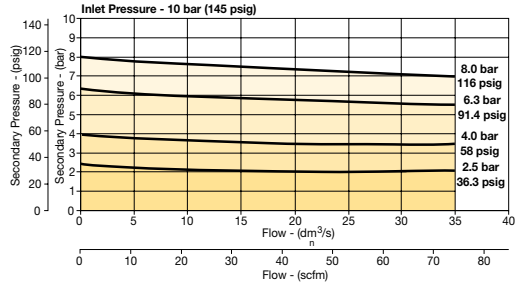


Manual Drain

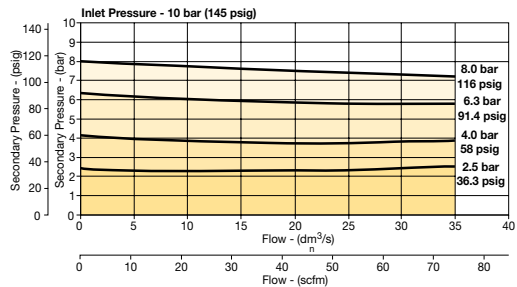
Automatic Drain

Flow Charts

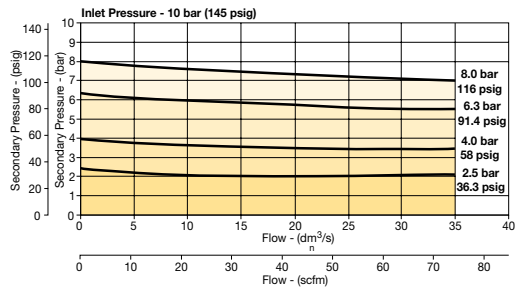
P32EB 1/4" Filter / Regulator



P32EB 3/8" Filter/Regulator



P32EB 1/2" Filter/Regulator



WARNING

**Product rupture can cause serious injury.
Do not connect regulator to bottled gas.
Do not exceed Maximum primary pressure rating.**

CAUTION:

REGULATOR PRESSURE ADJUSTMENT – The working range of knob adjustment is designed to permit outlet pressures within their full range. Pressure adjustment beyond this range is also possible because the knob is not a limiting device. This is a common characteristic of most industrial regulators, and limiting devices may be obtained only by special design. For best performance, regulated pressure should always be set by increasing the pressure up to the desired setting.

Gauges

50mm (2") round	0-30 psig / 0-2 bar	K4520N14030
1/4" center back mount	0-60 psig / 0-4 bar	K4520N14060
	0-160 psig / 0-11 bar	K4520N14160
	0-300 psig / 0-20 bar	K4520N14300

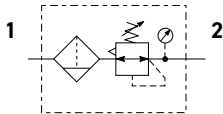
For best performance, regulated pressure should always be set by increasing the pressure up to the desired setting.



For inventory, lead times, and kit lookup, visit www.pdnplu.com

P33 Filter / Regulators - Standard

- Integral 1/2" or 3/4" ports (NPT, BSPP & BSPT)
- High efficiency 5 micron element as standard
- Excellent water removal efficiency
- Robust but lightweight aluminum construction
- Positive bayonet latch to ensure correct & safe fitting
- Secondary pressure ranges
- Secondary aspiration plus balanced poppet provides quick response and accurate pressure regulation



Port Size	Description / Relieving	Bowl / Drain Type †	Part Number
1/2"	125 psig (8 bar)	Poly / Manual	P33EA94EGMBNGP
1/2"	125 psig (8 bar)	Poly / Auto	P33EA94EGABNGP
1/2"	125 psig (8 bar)	Metal / Manual	P33EA94ESMBNGP
1/2"	125 psig (8 bar)	Metal / Auto	P33EA94ESABNGP
3/4"	125 psig (8 bar)	Poly / Manual	P33EA96EGMBNGP
3/4"	125 psig (8 bar)	Poly / Auto	P33EA96EGABNGP
3/4"	125 psig (8 bar)	Metal / Manual	P33EA96ESMBNGP
3/4"	125 psig (8 bar)	Metal / Auto	P33EA96ESABNGP

† For polycarbonate bowl, see caution in Engineering Section A.

Operating information

Flow capacity*:	1/2	200 scfm (94 dm ³ /s, ANR)
	3/4	235 scfm (109 dm ³ /s, ANR)
Operating temperature:		
Plastic bowl		-13°F to 125°F (-25°C to 52°C)
Metal bowl		-13°F to 150°F (-25°C to 65.5°C)
Supply pressure (max):		
Plastic bowl		150 psig (10 bar)
Metal bowl		250 psig (17 bar)
Standard filtration:		5 micron
Useful retention†:		2.8 US oz. (85 cm ³)
Adjusting range pressure:		0 to 30 psig (0 to 2 bar) 0 to 60 psig (0 to 4 bar) 0 to 125 psig (0 to 8 bar) 0 to 250 psig (0 to 17 bar)
Gauge port (2 each):		1/4 NPT, BSPP, BSPT
Weight:		1.87 lbs (0.85 kg)

* Inlet pressure 145 psig (10 bar). Secondary pressure 91.3 psig (6.3 bar) and 14.5 psig (1 bar) pressure drop.

† Useful retention refers to volume below the quiet zone baffle.

Air quality: **Within ISO 8573-1: 1991 Class 3 (Particulates)**
Within ISO 8573-1: 2001 Class 6 (Particulates)

Ordering Information:

P33EA 9 6 E G M B N G P

Basic Series Global Modular Standard Filter / Regulator P33EA	Thread Type BSPP 1 BSPT 2 NPT 9	Element 5µ E Element	Adjustment N Non-Rising Knob	Mounting P Plastic Panel Mount Nut
	Port Size 1/2 4 3/4 6	Bowl Type Poly Bowl with Bowl Guard G Metal Bowl without Sight Gauge M Metal Bowl with Sight Gauge S	Relief B Relieving N Non-Relieving	Adjustment Range
			Drain Type M Manual Drain A Auto Drain	With Round Gauge
				Z 30 psig; 2 Bar; 0.2 MPa
				M 60 psig; 4 Bar; 0.4 MPa
				G 125 psig; 8 Bar; 0.8 MPa
				J [§] 250 psig; 17 Bar; 1.7 MPa
				Without Gauge
				Y 30 psig; 2 Bar; 0.2 MPa
				L 60 psig; 4 Bar; 0.4 MPa
				N 125 psig; 8 Bar; 0.8 MPa
				H [§] 250 psig; 17 Bar; 1.7 MPa

§ Not available with poly bowl with bowl guard.

Most popular.



For inventory, lead times, and kit lookup, visit www.pdnplu.com

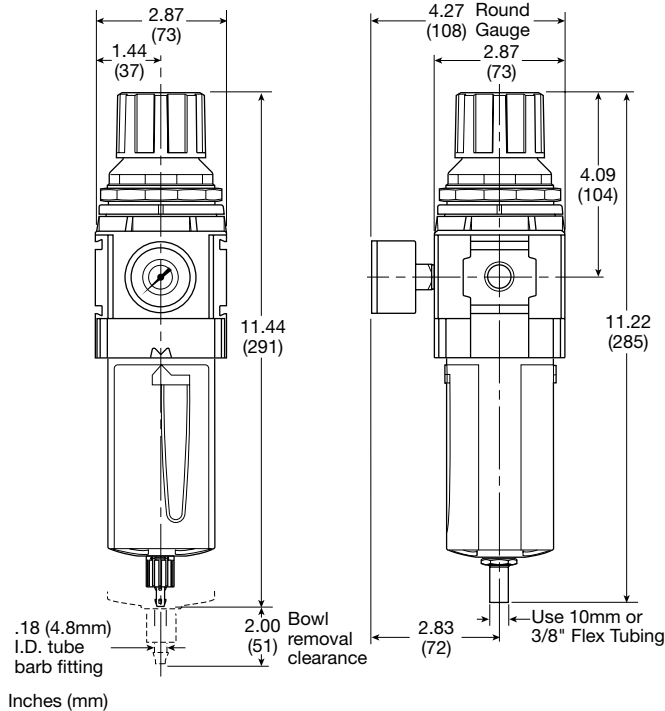
Standard Filter / Regulators

Material Specifications

Body	Aluminum
Adjustment knob	Acetal
Body cap	ABS
Element retainer / baffle	Acetal
Plastic bowl	Polycarbonate
Metal bowl	Aluminum
Filter element	Sintered
Polyethylene	
Seals	Nitrile
Springs	Steel, stainless steel
Valve assembly	Brass / nitrile
Diaphragm assembly	Nitrile / zinc
Panel nut	Acetal
Sight gauge	Nylon

Repair and Service Kits

Plastic bowl / bowl guard, manual drain	P33KA00BGM
Metal bowl / sight gauge, manual drain	P33KA00BSM
Auto drain	P32KA00DA
5µ particle filter element	P33KA00ESE
Diaphragm repair kit - Relieving	P33KA00RB
Diaphragm repair kit - Non-relieving	P33KA00RC
Panel mount nut - Aluminum	P33KA00MM
Panel mount nut - Plastic	P33KA00MP
Angle bracket (fits to panel mount threads)	P33KA00MR
T-bracket (fits to body connector)	P32KA00MB
T-bracket with body connector	P32KA00MT
Body connector	P32KA00CB



Manual Drain

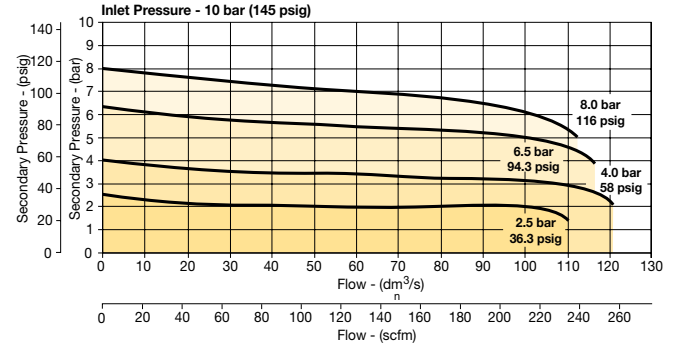
Automatic Drain

Air Preparation Products

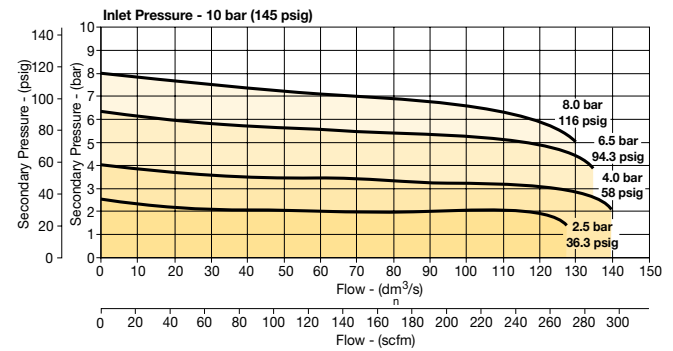
Global Air Preparation

Flow Charts

P33EA 1/2" Filter / Regulator



P33EA 3/4" Filter/Regulator



WARNING

Product rupture can cause serious injury.
Do not connect regulator to bottled gas.
Do not exceed Maximum primary pressure rating.

CAUTION:

REGULATOR PRESSURE ADJUSTMENT – The working range of knob adjustment is designed to permit outlet pressures within their full range. Pressure adjustment beyond this range is also possible because the knob is not a limiting device. This is a common characteristic of most industrial regulators, and limiting devices may be obtained only by special design. For best performance, regulated pressure should always be set by increasing the pressure up to the desired setting.

Gauges

50mm (2") round	0-30 psig / 0-2 bar	K4520N14030
1/4" center back mount	0-60 psig / 0-4 bar	K4520N14060
	0-160 psig / 0-11 bar	K4520N14160
	0-300 psig / 0-20 bar	K4520N14300

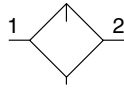
For best performance, regulated pressure should always be set by increasing the pressure up to the desired setting.



For inventory, lead times, and kit lookup, visit www.pdnplu.com

P31 Lubricators - Mini

- Integral 1/4" ports (NPT, BSPP & BSPT)
- Robust but lightweight aluminum construction
- Proportional oil delivery over a wide range of air flows
- Finger tip ratchet control for precise oil drip rate adjustment



Lubricator with drain

Port Size	Description †	Part Number
1/4"	Poly Bowl - No Drain	P31LB92LGNN
1/4"	Metal Bowl - No Drain	P31LB92LMNN

† For polycarbonate bowl, see caution in Engineering Section A.

Operating information

Flow capacity*:
 1/4 52 scfm (25 dm³/s, ANR)

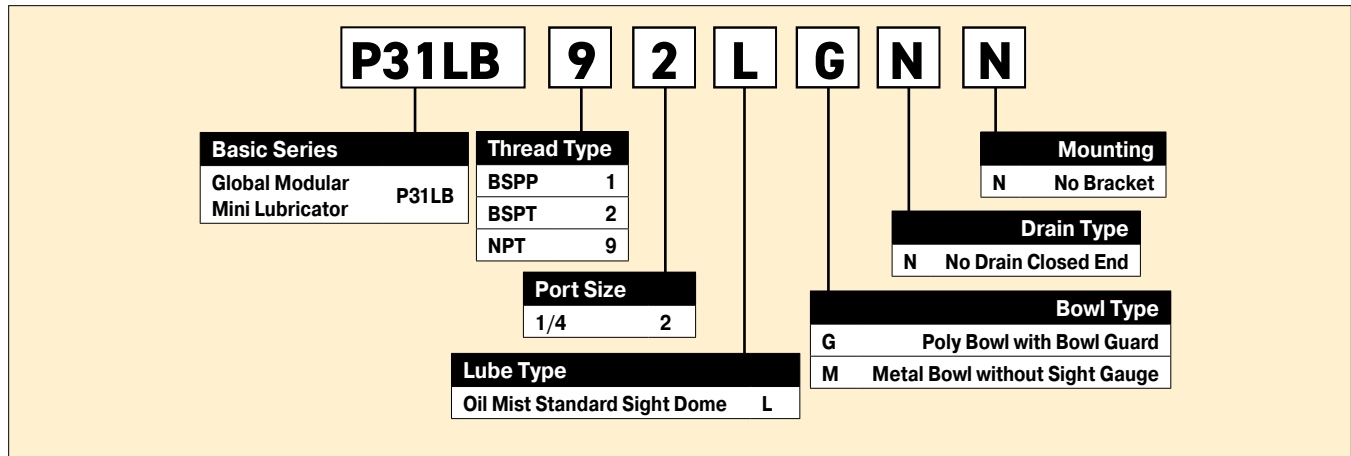
Operating temperature:
 Plastic bowl 14°F to 125°F (-10°C to 52°C)
 Metal bowl 14°F to 150°F (-10°C to 65.5°C)

Supply pressure (max):
 Plastic bowl 150 psig (10 bar)
 Metal bowl 250 psig (17 bar)

Bowl capacity: 0.6 US oz. (18 cm³)
 Weight: 0.29 lb (0.13 kg)

* Inlet pressure 91.3 psig (6.3 bar). Pressure drop 4.9 psig (0.34 bar).

Ordering Information:



Suggested Lubricant **F442 Oil**
 Petroleum based oil of 100 to 200 SUS viscosity at 100°F (38°C) and an aniline point greater than 200°F (93°C)
 (DO NOT USE OILS WITH ADDITIVES, COMPOUNDED OILS CONTAINING SOLVENTS, GRAPHITE, DETERGENTS, OR SYNTHETIC OILS.)

☐ Most popular.



For inventory, lead times, and kit lookup, visit www.pdnplu.com

P
 Global Air Preparation
 Introduction
 Filters
 Coalescers
 Regulators
 Filter / Regulators
 Lubricators
 Combinations
 Accessories and Kits

Material Specifications

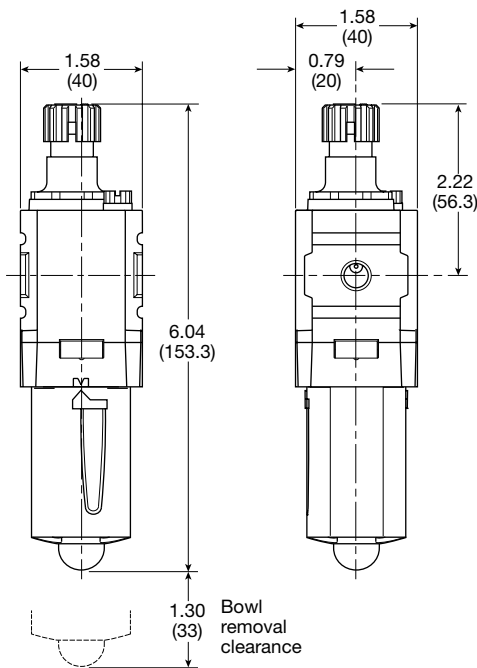
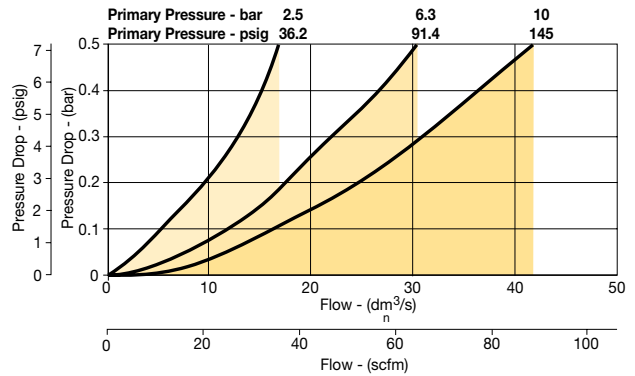
Body	Aluminum
Body cap	ABS
Plastic bowl	Polycarbonate
Metal bowl	Aluminum
Seals	Nitrile
Sight dome	Polycarbonate
Suggested lubricant	ISO / ASTM VG32
Pick-up filter	Sintered bronze

Repair and Service Kits

Plastic bowl / bowl guard no drain	P31KB00BGN
Metal bowl / w/o sight gauge no drain	P31KB00BMN
Drip control assembly	P32KA00PG
Fill plug	P31KA00PL
C-bracket (fits to body)	P31KA00MW
T-bracket with body connector	P31KA00MT
Body connector	P31KA00CB
Oil (1 quart)	F442001
Oil (1 gallon)	F442002
Oil (12 quart case)	F442003
Oil (4 gallon case)	F442005

Flow Charts

P31LB 1/4" Lubricator



Inches (mm)

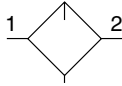
B
Global Air Preparation
Introduction
Filters
Coalescers
Regulators
Filter / Regulators
Lubricators
Combinations
Accessories and Kits



For inventory, lead times, and kit lookup, visit www.pdnplu.com

P32 Lubricators - Compact

- Integral 1/4", 3/8" or 1/2" ports (NPT, BSPP & BSPT)
- Robust but lightweight aluminum construction
- Proportional oil delivery over a wide range of air flows
- Finger tip ratchet control for precise oil drip rate adjustment
- Fill from top under system pressure



Lubricator with drain



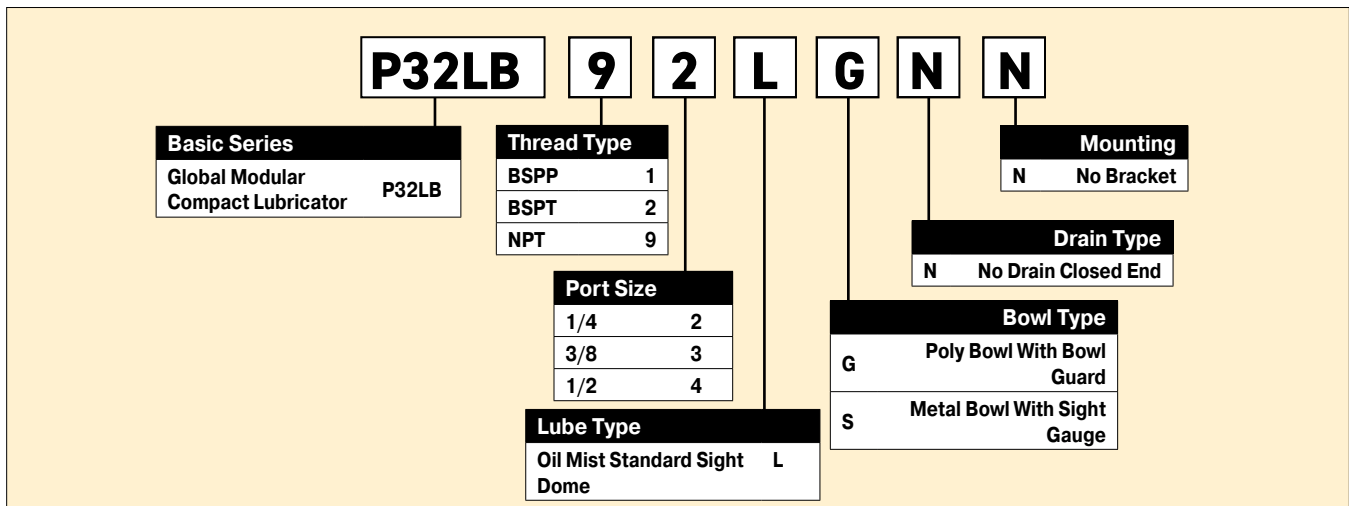
Operating information

Flow capacity*:	
1/4	38 scfm (17 dm ³ /s, ANR)
3/8	70 scfm (33 dm ³ /s, ANR)
1/2	90 scfm (42 dm ³ /s, ANR)
Operating temperature:	
Plastic bowl	14°F to 125°F (-10°C to 52°C)
Metal bowl	14°F to 150°F (-10°C to 65.5°C)
Supply pressure (max):	
Plastic bowl	150 psig (10 bar)
Metal bowl	250 psig (17 bar)
Bowl capacity:	4.09 US oz. (121 cm ³)
Weight:	0.68 lb (0.31 kg)
* Inlet pressure 91.3 psig (6.3 bar). Pressure drop 4.9 psig (0.34 bar).	

Port Size	Description †	Part Number
1/4"	Poly Bowl - No Drain	P32LB92LGNN
1/4"	Metal Bowl - No Drain	P32LB92LSNN
3/8"	Poly Bowl - No Drain	P32LB93LGNN
3/8"	Metal Bowl - No Drain	P32LB93LSNN
1/2"	Poly Bowl - No Drain	P32LB94LGNN
1/2"	Metal Bowl - No Drain	P32LB94LSNN

† For polycarbonate bowl, see caution in Engineering Section A.

Ordering Information:



Suggested Lubricant **F442 Oil**

Petroleum based oil of 100 to 200 SUS viscosity at 100°F (38°C) and an aniline point greater than 200°F (93°C)
 (DO NOT USE OILS WITH ADDITIVES, COMPOUNDED OILS CONTAINING SOLVENTS, GRAPHITE, DETERGENTS, OR SYNTHETIC OILS.)

Most popular.



For inventory, lead times, and kit lookup, visit www.pdnplu.com

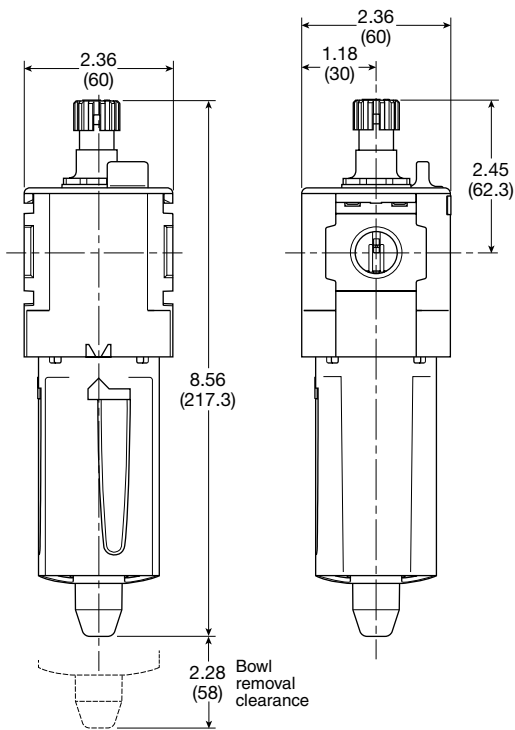
P
 Global Air Preparation
 Introduction
 Filters
 Coalescers
 Regulators
 Filter / Regulators
 Lubricators
 Combinations
 Accessories and Kits

Material Specifications

Body	Aluminum
Body cap	ABS
Plastic bowl	Polycarbonate
Metal bowl	Aluminum
Seals	Nitrile
Sight dome	Polycarbonate
Sight gauge	Nylon
Suggested lubricant	ISO / ASTM VG32
Pick-up filter	Sintered bronze

Repair and Service Kits

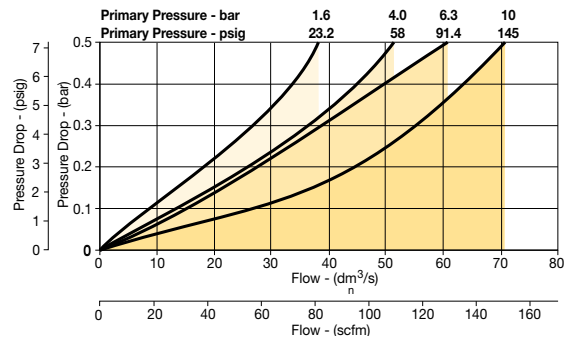
Plastic bowl / bowl guard no drain	P32KB00BGN
Metal bowl / w/o sight gauge no drain	P32KB00BMN
Metal bowl / Sight gauge no drain	P32KB00BSN
Drip control assembly	P32KA00PG
Fill plug	P32KA00PL
L-bracket (fits to body)	P32KA00ML
T-bracket (fits to body connector)	P32KA00MB
T-bracket with body connector	P32KA00MT
Body connector	P32KA00CB
Oil (1 quart)	F442001
Oil (1 gallon)	F442002
Oil (12 quart case)	F442003
Oil (4 gallon case)	F442005



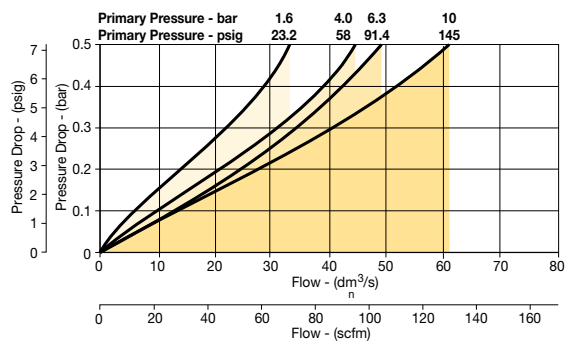
Inches (mm)

Flow Charts

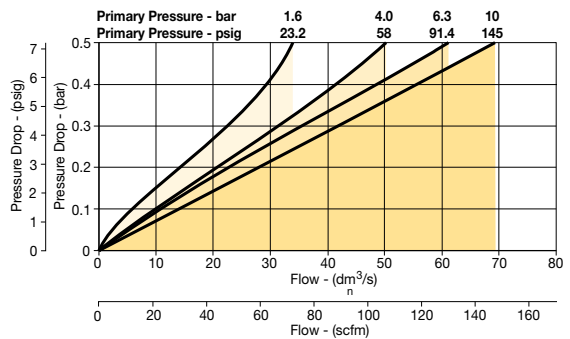
P32LB 1/4" Lubricator



P32LB 3/8" Lubricator



P32LB 1/2" Lubricator



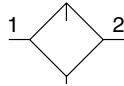
B
Global Air Preparation
Introduction
Filters
Coalescers
Regulators
Filter / Regulators
Lubricators
Combinations
Accessories and Kits



For inventory, lead times, and kit lookup, visit www.pdnplu.com

P33 Lubricators - Standard

- Integral 1/2" or 3/4" ports (NPT, BSPP & BSPT)
- Robust but lightweight aluminum construction
- Proportional oil delivery over a wide range of air flows
- Finger tip ratchet control for precise oil drip rate adjustment
- Fill from top under system pressure



Lubricator with drain

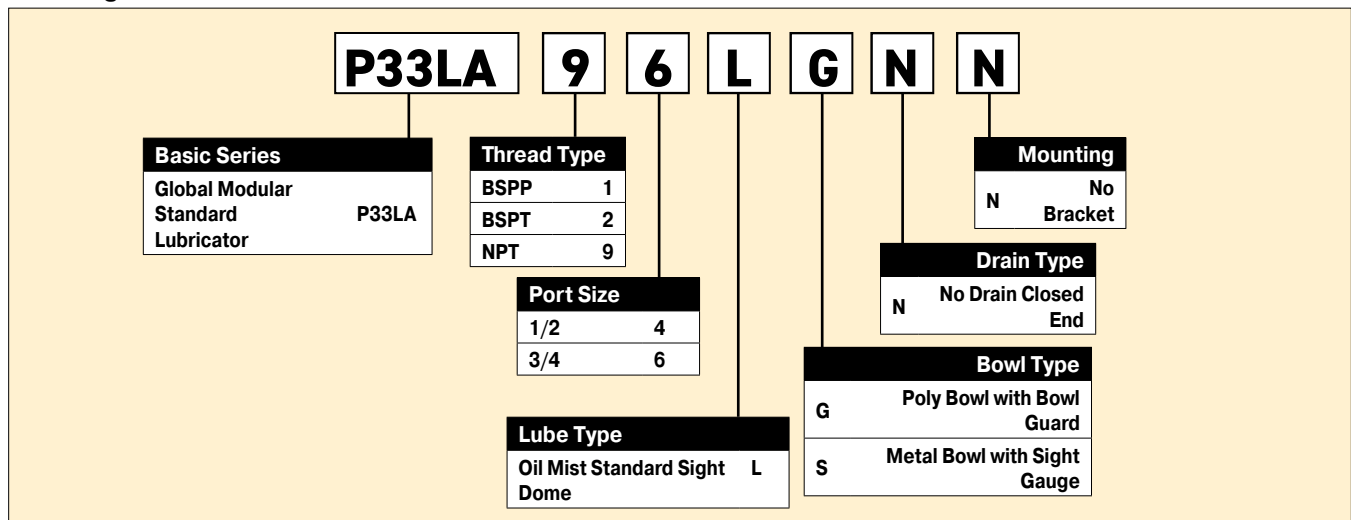
Operating information

Flow capacity*:	1/2	110 scfm (52 dm ³ /s, ANR)
	3/4	150 scfm (71 dm ³ /s, ANR)
Operating temperature:	Plastic bowl	14°F to 125°F (-10°C to 52°C)
	Metal bowl	14°F to 150°F (-10°C to 65.5°C)
Supply pressure (max):	Plastic bowl	150 psig (10 bar)
	Metal bowl	250 psig (17 bar)
Bowl capacity:		6.1 US oz. (181 cm ³)
Weight:		1.04 lb (0.47 kg)
* Inlet pressure 91.3 psig (6.3 bar). Pressure drop 4.9 psig (0.34 bar).		

Port Size	Description †	Part Number
1/2"	Poly Bowl - No Drain	P33LA94LGNN
1/2"	Metal Bowl - No Drain	P33LA94LSNN
3/4"	Poly Bowl - No Drain	P33LA96LGNN
3/4"	Metal Bowl - No Drain	P33LA96LSNN

† For polycarbonate bowl, see caution in Engineering Section A.

Ordering Information:



Suggested Lubricant **F442 Oil**

Petroleum based oil of 100 to 200 SUS viscosity at 100°F (38°C) and an aniline point greater than 200°F (93°C)
 (DO NOT USE OILS WITH ADDITIVES, COMPOUNDED OILS CONTAINING SOLVENTS, GRAPHITE, DETERGENTS, OR SYNTHETIC OILS.)

Most popular.



For inventory, lead times, and kit lookup, visit www.pdnplu.com

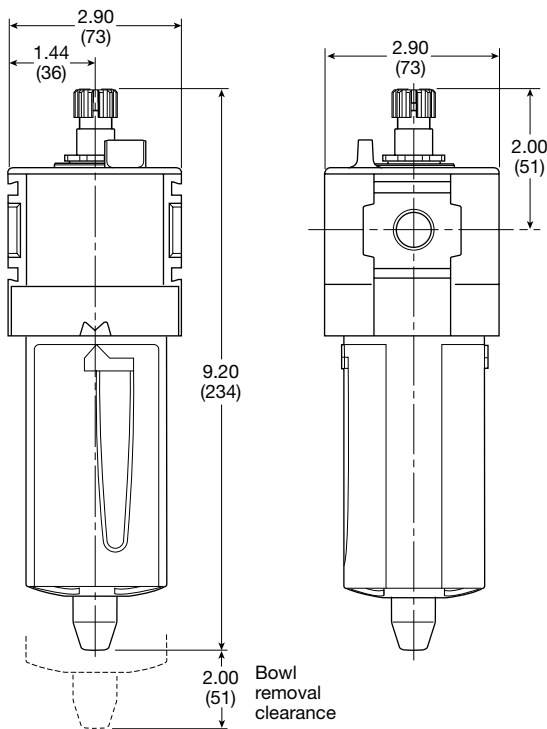
P
 Global Air Preparation
 Introduction
 Filters
 Coalescers
 Regulators
 Filter / Regulators
 Lubricators
 Combinations
 Accessories and Kits

Material Specifications

Body	Aluminum
Body cap	ABS
Plastic bowl	Polycarbonate
Metal bowl	Aluminum
Seals	Nitrile
Sight dome	Polycarbonate
Sight gauge	Nylon
Suggested lubricant	ISO / ASTM VG32
Pick-up filter	Sintered bronze

Repair and Service Kits

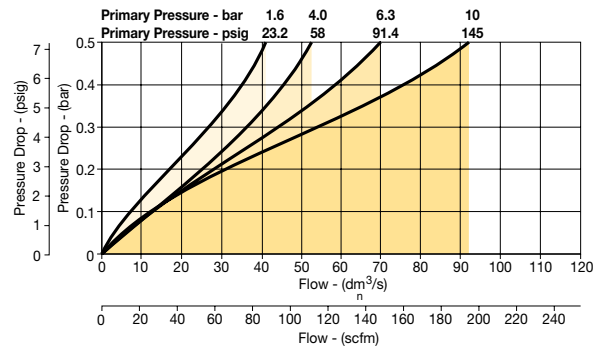
Plastic bowl / bowl guard no drain	P33KA00BGN
Metal bowl / w/o sight gauge no drain	P33KA00BMN
Metal bowl / sight gauge no drain	P33KA00BSN
Drip control assembly	P32KA00PG
Fill plug	P32KA00PL
L-bracket (fits to body)	P33KA00ML
T-bracket (fits to body connector)	P32KA00MB
T-bracket with body connector	P32KA00MT
Body connector	P32KA00CB
Oil (1 quart)	F442001
Oil (1 gallon)	F442002
Oil (12 quart case)	F442003
Oil (4 gallon case)	F442005



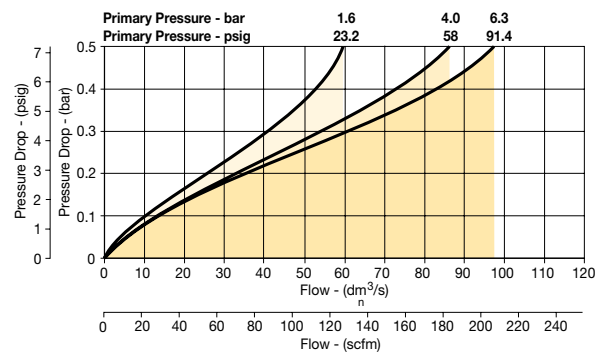
Inches (mm)

Flow Charts

P33LA 1/2" Lubricator



P33LA 3/4" Lubricator



B
Global Air Preparation
Introduction
Filters
Coalescers
Regulators
Filter / Regulators
Lubricators
Combinations
Accessories and Kits



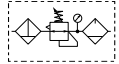
For inventory, lead times, and kit lookup, visit www.pdnplu.com

Popular Combinations: Inlet pressure 145 psig (10 bar), secondary pressure 100 psig (6.9 bar), 14.5 psig (1 bar) pressure drop.

B
 Global Air Preparation
 Introduction
 Filters
 Coalescers
 Regulators
 Filter / Regulators
 Lubricators
 Combinations
 Accessories and Kits



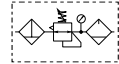
Filter + Regulator + Lubricator Combinations, poly bowl
5 micron element, 116 psig (8 bar) regulator + gauge and wall mounting brackets



Port Size	Flow	Manual Drain	Pulse Drain
1/4"	27 scfm (13 dm³/s, ANR)	P31CB92GEMN5LNW	P31CB92GEBN5LNW



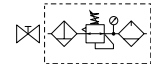
Filter/Regulator + Lubricator Combinations, poly bowl
5 micron element, 116 psig (8 bar) regulator + gauge and wall mounting brackets



Port Size	Flow	Manual Drain	Pulse Drain
1/4"	28 scfm (14 dm³/s, ANR)	P31CA92GEMN5LNW	P31CA92GEBN5LNW



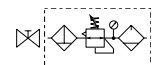
Ball Valve + Filter + Regulator + Lubricator Combinations, poly bowl
5 micron element, 116 psig (8 bar) regulator + gauge and wall mounting brackets



Port Size	Flow	Manual Drain	Pulse Drain
1/4"	27 scfm (13 dm³/s, ANR)	P31QB92GEMN5LNW	P31QB92GEBN5LNW



Ball Valve + Filter/Regulator + Lubricator Combinations, poly bowl
5 micron element, 116 psig (8 bar) regulator + gauge and wall mounting brackets



Port Size	Flow	Manual Drain	Pulse Drain
1/4"	28 scfm (14 dm³/s, ANR)	P31QA92GEMN5LNW	P31QA92GEBN5LNW

Filter / Regulator coding
(use with codes: A M)

Filter coding (use with combo codes: B F G). For multiple filters, repeat as needed.	Regulator coding (use with combo code: B)	Lubricator coding (use with combo codes: A B)	Assembly configuration																																																																																		
<p>P31</p> <p>Combination</p> <table border="1"> <tr><td>B/V + Combination</td><td>Q</td></tr> <tr><td>Combination + B/V</td><td>X</td></tr> <tr><td>Combination</td><td>C</td></tr> </table> <p>B/V = Ball valve</p> <p>Combination Type*</p> <table border="1"> <tr><td>F/R+L</td><td>A</td><td>F+Fc+Fa</td><td>G</td></tr> <tr><td>F+R+L</td><td>B</td><td>F/R+Fc</td><td>M</td></tr> <tr><td>F+Fc</td><td>F</td><td></td><td></td></tr> </table> <p>* Combination type F = 5µ Fc1 = 1µ Fc = .01µ Fa = Adsorber</p> <p>Thread Type</p> <table border="1"> <tr><td>BSPP</td><td>1</td></tr> <tr><td>BSPT</td><td>2</td></tr> <tr><td>NPT</td><td>9</td></tr> </table> <p>Port Size</p> <table border="1"> <tr><td>1/4</td><td>2</td></tr> </table> <p>Bowl Type</p> <table border="1"> <tr><td>Poly Bowl with Bowl Guard †</td><td>G</td></tr> <tr><td>Metal Bowl without Sight Gauge</td><td>M</td></tr> </table> <p>Note: All bowl types are the same for each component Example: If a "G" is specified for a F+L, both units would get a poly bowl with bowl guard. † For polycarbonate bowl, see caution in Engineering Section A.</p>	B/V + Combination	Q	Combination + B/V	X	Combination	C	F/R+L	A	F+Fc+Fa	G	F+R+L	B	F/R+Fc	M	F+Fc	F			BSPP	1	BSPT	2	NPT	9	1/4	2	Poly Bowl with Bowl Guard †	G	Metal Bowl without Sight Gauge	M	<p>E M</p> <p>Element</p> <table border="1"> <tr><td>5µ Element</td><td>E</td></tr> <tr><td>0.01µ Element</td><td>C</td></tr> <tr><td>1µ Element</td><td>9</td></tr> <tr><td>Adsorber</td><td>A</td></tr> </table> <p>Drain Type</p> <table border="1"> <tr><td>Manual Drain</td><td>M</td></tr> <tr><td>Pulse Drain</td><td>B</td></tr> </table>	5µ Element	E	0.01µ Element	C	1µ Element	9	Adsorber	A	Manual Drain	M	Pulse Drain	B	<p>N 5</p> <p>Relief / Adjustment</p> <table border="1"> <tr><td>Non-Rising Knob</td><td>N</td></tr> </table> <p>Adjustment Range</p> <table border="1"> <tr><th>With Square Gauge</th><th>Psig:</th></tr> <tr><td>30 psig*</td><td>1</td></tr> <tr><td>60 psig</td><td>3</td></tr> <tr><td>125 psig</td><td>5</td></tr> <tr><td>232 psig</td><td>7</td></tr> </table> <p>Bar:</p> <table border="1"> <tr><td>2 Bar*</td><td>V</td></tr> <tr><td>4 Bar</td><td>S</td></tr> <tr><td>8 Bar</td><td>T</td></tr> <tr><td>16 Bar</td><td>W</td></tr> </table> <p>MPa:</p> <table border="1"> <tr><td>0.2 MPa*</td><td>2</td></tr> <tr><td>0.4 MPa</td><td>4</td></tr> <tr><td>0.8 MPa</td><td>6</td></tr> <tr><td>0.8 MPa</td><td>8</td></tr> </table> <p>* Regulator comes with gauge respective to the adjustment range available. † Not available with poly bowl with bowl guard.</p>	Non-Rising Knob	N	With Square Gauge	Psig:	30 psig*	1	60 psig	3	125 psig	5	232 psig	7	2 Bar*	V	4 Bar	S	8 Bar	T	16 Bar	W	0.2 MPa*	2	0.4 MPa	4	0.8 MPa	6	0.8 MPa	8	<p>L N</p> <p>Lub Type</p> <table border="1"> <tr><td>Oil Mist Standard Sight Dome</td><td>L</td></tr> </table> <p>Drain Type</p> <table border="1"> <tr><td>No Drain; Closed End</td><td>N</td></tr> </table> <p>Mounting</p> <table border="1"> <tr><td>No Bracket</td><td>A</td></tr> <tr><td>Port Blocks*</td><td>C</td></tr> <tr><td>Port Blocks & Wall Brkt*</td><td>D</td></tr> <tr><td>Wall Bracket</td><td>W</td></tr> </table> <p>* For 3/8" Port Blocks please order separately. See Kits section.</p>	Oil Mist Standard Sight Dome	L	No Drain; Closed End	N	No Bracket	A	Port Blocks*	C	Port Blocks & Wall Brkt*	D	Wall Bracket	W
B/V + Combination	Q																																																																																				
Combination + B/V	X																																																																																				
Combination	C																																																																																				
F/R+L	A	F+Fc+Fa	G																																																																																		
F+R+L	B	F/R+Fc	M																																																																																		
F+Fc	F																																																																																				
BSPP	1																																																																																				
BSPT	2																																																																																				
NPT	9																																																																																				
1/4	2																																																																																				
Poly Bowl with Bowl Guard †	G																																																																																				
Metal Bowl without Sight Gauge	M																																																																																				
5µ Element	E																																																																																				
0.01µ Element	C																																																																																				
1µ Element	9																																																																																				
Adsorber	A																																																																																				
Manual Drain	M																																																																																				
Pulse Drain	B																																																																																				
Non-Rising Knob	N																																																																																				
With Square Gauge	Psig:																																																																																				
30 psig*	1																																																																																				
60 psig	3																																																																																				
125 psig	5																																																																																				
232 psig	7																																																																																				
2 Bar*	V																																																																																				
4 Bar	S																																																																																				
8 Bar	T																																																																																				
16 Bar	W																																																																																				
0.2 MPa*	2																																																																																				
0.4 MPa	4																																																																																				
0.8 MPa	6																																																																																				
0.8 MPa	8																																																																																				
Oil Mist Standard Sight Dome	L																																																																																				
No Drain; Closed End	N																																																																																				
No Bracket	A																																																																																				
Port Blocks*	C																																																																																				
Port Blocks & Wall Brkt*	D																																																																																				
Wall Bracket	W																																																																																				

Gauge supplied with every part. Gauge can be installed on the front or back of the regulator. If no gauge is installed, both seal screws must be installed.

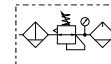


For inventory, lead times, and kit lookup, visit www.pdnplu.com

Popular Combinations: Inlet pressure 145 psig (10 bar), secondary pressure 91.3 psig (6.3 bar), 14.5 psig (1 bar) pressure drop.



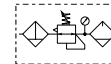
Filter + Regulator + Lubricator Combinations, poly bowl
5 micron element, 116 psig (8 bar) regulator + gauge and wall mounting brackets



Port Size	Flow	Manual Drain	Auto Drain
1/4"	42 scfm (20 dm ³ /s, ANR)	P32CB92GEMNGLNW	P32CB92GEANGLNW
3/8"	68 scfm (32 dm ³ /s, ANR)	P32CB93GEMNGLNW	P32CB93GEANGLNW
1/2"	85 scfm (40 dm ³ /s, ANR)	P32CB94GEMNGLNW	P32CB94GEANGLNW



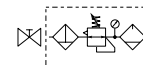
Filter/Regulator + Lubricator Combinations, poly bowl
5 micron element, 116 psig (8 bar) regulator + gauge and wall mounting brackets



Port Size	Flow	Manual Drain	Auto Drain
1/4"	45 scfm (22 dm ³ /s, ANR)	P32CA92GEMNGLNW	P32CA92GEANGLNW
3/8"	70 scfm (33 dm ³ /s, ANR)	P32CA93GEMNGLNW	P32CA93GEANGLNW
1/2"	90 scfm (43 dm ³ /s, ANR)	P32CA94GEMNGLNW	P32CA94GEANGLNW



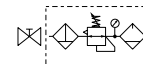
Ball Valve + Filter + Regulator + Lubricator Combinations, poly bowl
5 micron element, 116 psig (8 bar) regulator + gauge and wall mounting brackets



Port Size	Flow	Manual Drain	Auto Drain
1/4"	42 scfm (20 dm ³ /s, ANR)	P32QB92GEMNGLNW	P32QB92GEANGLNW
3/8"	68 scfm (32 dm ³ /s, ANR)	P32QB93GEMNGLNW	P32QB93GEANGLNW
1/2"	85 scfm (40 dm ³ /s, ANR)	P32QB94GEMNGLNW	P32QB94GEANGLNW



Ball Valve + Filter/Regulator + Lubricator Combinations, poly bowl
5 micron element, 116 psig (8 bar) regulator + gauge and wall mounting brackets



Port Size	Flow	Manual Drain	Auto Drain
1/4"	45 scfm (22 dm ³ /s, ANR)	P32QA92GEMNGLNW	P32QA92GEANGLNW
3/8"	70 scfm (33 dm ³ /s, ANR)	P32QA93GEMNGLNW	P32QA93GEANGLNW
1/2"	90 scfm (43 dm ³ /s, ANR)	P32QA94GEMNGLNW	P32QA94GEANGLNW

Filter / Regulator coding
 (use with codes: A M)

Filter coding (use with combo codes: B F G). For multiple filters, repeat as needed.	Regulator coding (use with combo code: B)	Lubricator coding (use with combo codes: A B)	Assembly configuration
---	--	---	---------------------------

<p>P32</p> <p>Combination</p> <p>B/V + Combination Q</p> <p>Combination + B/V X</p> <p>Combination C</p> <p>B/V = Ball valve</p> <p>Combination Type*</p> <table border="1"> <tr> <td>F/R+L A</td> <td>F+Fc+Fa G</td> </tr> <tr> <td>F+R+L B</td> <td>F/R+Fc M</td> </tr> <tr> <td>F+Fc F</td> <td></td> </tr> </table> <p>* Combination type F = 5µ Fc1 = 1µ Fc = .01µ Fa = Adsorber</p> <p>† For polycarbonate bowl, see caution in Engineering Section A.</p>	F/R+L A	F+Fc+Fa G	F+R+L B	F/R+Fc M	F+Fc F		<p>C</p> <p>Thread Type</p> <p>BSPP 1</p> <p>BSPT 2</p> <p>NPT 9</p> <p>Port Size</p> <table border="1"> <tr> <td>1/4" 2*</td> </tr> <tr> <td>3/8" 3</td> </tr> <tr> <td>1/2" 4</td> </tr> </table> <p>* Order combo Q or X: ball valve (BV) comes with 3/8 ports.</p> <p>Bowl Type</p> <table border="1"> <tr> <td>Poly Bowl with Bowl Guard ‡ G</td> </tr> <tr> <td>Metal Bowl without Sight Gauge M*</td> </tr> <tr> <td>Metal Bowl with Sight Gauge S</td> </tr> </table> <p>‡ Not available when using lubricator. † Note: All bowl types are the same for each component. ‡ Example: If a "G" is specified for a F+L, both units would get a poly bowl with bowl guard.</p>	1/4" 2*	3/8" 3	1/2" 4	Poly Bowl with Bowl Guard ‡ G	Metal Bowl without Sight Gauge M*	Metal Bowl with Sight Gauge S	<p>9 4 G</p> <p>Element</p> <table border="1"> <tr> <td>0.01µ Element C</td> </tr> <tr> <td>0.01µ Element with dpi D*</td> </tr> <tr> <td>5µ Element E</td> </tr> <tr> <td>5µ Element with dpi F*</td> </tr> <tr> <td>1µ Element 9</td> </tr> <tr> <td>1µ Element with dpi Q*</td> </tr> <tr> <td>Adsorber A</td> </tr> </table> <p>* Not available with F/R.</p> <p>Drain Type</p> <table border="1"> <tr> <td>Auto Drain A</td> </tr> <tr> <td>Manual Drain M</td> </tr> </table>	0.01µ Element C	0.01µ Element with dpi D*	5µ Element E	5µ Element with dpi F*	1µ Element 9	1µ Element with dpi Q*	Adsorber A	Auto Drain A	Manual Drain M	<p>E M</p> <p>Relief / Adjustment</p> <p>Non-Rising Knob N</p> <p>Relieving</p> <p>Adjustment Range</p> <table border="1"> <tr> <th colspan="2">With Round Gauge</th> </tr> <tr> <td>30 psig; 2 Bar; 0.2 MPa</td> <td>Z</td> </tr> <tr> <td>60 psig; 4 Bar; 0.4 MPa</td> <td>M</td> </tr> <tr> <td>125 psig; 8 Bar; 0.8 MPa</td> <td>G</td> </tr> <tr> <td>250 psig; 17 Bar; 1.7 MPa</td> <td>J†</td> </tr> <tr> <th colspan="2">Without Gauge</th> </tr> <tr> <td>30 psig; 2 Bar; 0.2 MPa</td> <td>Y</td> </tr> <tr> <td>60 psig; 4 Bar; 0.4 MPa</td> <td>L</td> </tr> <tr> <td>125 psig; 8 Bar; 0.8 MPa</td> <td>N</td> </tr> <tr> <td>250 psig; 17 Bar; 1.7 MPa</td> <td>H‡</td> </tr> </table> <p>† Not available with F/R.</p>	With Round Gauge		30 psig; 2 Bar; 0.2 MPa	Z	60 psig; 4 Bar; 0.4 MPa	M	125 psig; 8 Bar; 0.8 MPa	G	250 psig; 17 Bar; 1.7 MPa	J †	Without Gauge		30 psig; 2 Bar; 0.2 MPa	Y	60 psig; 4 Bar; 0.4 MPa	L	125 psig; 8 Bar; 0.8 MPa	N	250 psig; 17 Bar; 1.7 MPa	H ‡	<p>N G</p> <p>Lub Type</p> <p>Oil Mist Standard Sight Dome L</p> <p>Drain Type</p> <p>No Drain; Closed End N</p>	<p>W</p> <p>Mounting</p> <p>No Bracket A</p> <p>Port Blocks C</p> <p>Port Blocks & Wall Brkt D</p> <p>Wall Bracket W</p> <p>* Regulator comes with gauge respective to the adjustment range selected. ‡ Not available with poly bowl with bowl guard.</p>
F/R+L A	F+Fc+Fa G																																													
F+R+L B	F/R+Fc M																																													
F+Fc F																																														
1/4" 2*																																														
3/8" 3																																														
1/2" 4																																														
Poly Bowl with Bowl Guard ‡ G																																														
Metal Bowl without Sight Gauge M*																																														
Metal Bowl with Sight Gauge S																																														
0.01µ Element C																																														
0.01µ Element with dpi D*																																														
5µ Element E																																														
5µ Element with dpi F*																																														
1µ Element 9																																														
1µ Element with dpi Q*																																														
Adsorber A																																														
Auto Drain A																																														
Manual Drain M																																														
With Round Gauge																																														
30 psig; 2 Bar; 0.2 MPa	Z																																													
60 psig; 4 Bar; 0.4 MPa	M																																													
125 psig; 8 Bar; 0.8 MPa	G																																													
250 psig; 17 Bar; 1.7 MPa	J †																																													
Without Gauge																																														
30 psig; 2 Bar; 0.2 MPa	Y																																													
60 psig; 4 Bar; 0.4 MPa	L																																													
125 psig; 8 Bar; 0.8 MPa	N																																													
250 psig; 17 Bar; 1.7 MPa	H ‡																																													



For inventory, lead times, and kit lookup, visit www.pdnplu.com

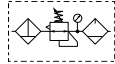
B	Global Air Preparation
Introduction	
Filters	
Coalescers	
Regulators	
Filter / Regulators	
Lubricators	
Combinations	
Accessories and Kits	

Popular Combinations: Inlet pressure 145 psig (10 bar), secondary pressure 91.3 psig (6.3 bar), 14.5 psig (1 bar) pressure drop.

B
Global Air Preparation
Introduction
Filters
Coalescers
Regulators
Filter / Regulators
Lubricators
Combinations
Accessories and Kits



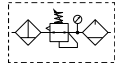
**Filter + Regulator + Lubricator Combinations, poly bowl
5 micron element, 116 psig (8 bar) regulator + gauge and wall mounting brackets**



Port Size	Flow	Manual Drain	Auto Drain
1/2"	90 scfm (43 dm ³ /s, ANR)	P33CB94GEMNGLNW	P33CB94GEANGLNW
3/4"	110 scfm (52 dm ³ /s, ANR)	P33CB96GEMNGLNW	P33CB96GEANGLNW



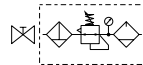
**Filter/Regulator + Lubricator Combinations, poly bowl
5 micron element, 116 psig (8 bar) regulator + gauge and wall mounting brackets**



Port Size	Flow	Manual Drain	Auto Drain
1/2"	110 scfm (52 dm ³ /s, ANR)	P33CA94GEMNGLNW	P33CA94GEANGLNW
3/4"	150 scfm (71 dm ³ /s, ANR)	P33CA96GEMNGLNW	P33CA96GEANGLNW



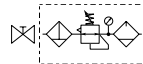
**Ball Valve + Filter + Regulator + Lubricator Combinations, poly bowl
5 micron element, 116 psig (8 bar) regulator + gauge and wall mounting brackets**



Port Size	Flow	Manual Drain	Auto Drain
1/2"	90 scfm (43 dm ³ /s, ANR)	P33QB94GEMNGLNW	P33QB94GEANGLNW
3/4"	110 scfm (52 dm ³ /s, ANR)	P33QB96GEMNGLNW	P33QB96GEANGLNW



**Ball Valve + Filter/Regulator + Lubricator Combinations, poly bowl
5 micron element, 116 psig (8 bar) regulator + gauge and wall mounting brackets**



Port Size	Flow	Manual Drain	Auto Drain
1/2"	110 scfm (52 dm ³ /s, ANR)	P33QA94GEMNGLNW	P33QA94GEANGLNW
3/4"	150 scfm (71 dm ³ /s, ANR)	P33QA96GEMNGLNW	P33QA96GEANGLNW

Filter / Regulator coding
(use with codes: A M)

Filter coding (use with combo codes: B F G). For multiple filters, repeat as needed.	Regulator coding (use with combo code: B)	Lubricator coding (use with combo codes: A B)	Assembly configuration
---	--	---	---------------------------

P33	C	B	9	6	G	E	M	N	G	L	N	W
<p>Combination</p> <p>B/V + Combination Q</p> <p>Combination + B/V X</p> <p>Combination C</p> <p>B/V = Ball valve</p>	<p>Thread Type</p> <p>BSPP 1</p> <p>BSPT 2</p> <p>NPT 9</p>	<p>Port Size</p> <p>1/2 4</p> <p>3/4 6</p>	<p>Element</p> <p>0.01µ Element C</p> <p>0.01µ Element with dpi D*</p> <p>5µ Element E</p> <p>5µ Element with dpi F*</p> <p>1µ Element 9</p> <p>1µ Element with dpi Q*</p> <p>Adsorber A</p>	<p>Relief / Adjustment</p> <p>Non-Rising Knob N</p> <p>Relieving</p>	<p>Adjustment Range</p> <p>With Round Gauge</p> <p>30 psig; 2 bar; 0.2 MPa Z</p> <p>60 psig; 4 bar; 0.4 MPa M</p> <p>125 psig; 8 bar; 0.8 MPa G</p> <p>250 psig; 17 bar; 1.7 MPa J*</p> <p>Without Gauge</p> <p>30 psig; 2 bar; 0.2 MPa Y</p> <p>60 psig; 4 bar; 0.4 MPa L</p> <p>125 psig; 8 bar; 0.8 MPa N</p> <p>250 psig; 17 bar; 1.7 MPa H*</p> <p>* Not available with poly bowl with bowl guard.</p>	<p>Lub Type</p> <p>Oil Mist L</p> <p>Standard</p> <p>Sight</p> <p>Dome</p>	<p>Drain Type</p> <p>No Drain; Closed End N</p>	<p>Mounting</p> <p>No Bracket A</p> <p>Port Blocks C</p> <p>Port Blocks & Wall Brkt D</p> <p>Wall Bracket W</p>				
<p>Combination Type*</p> <p>F/R+L A F+Fc+Fa G</p> <p>F+R+L B F/R+Fc M</p> <p>F+Fc F</p>	<p>Bowl Type †</p> <p>Poly Bowl with Bowl Guard G</p> <p>Metal Bowl without Sight Gauge M*</p> <p>Metal Bowl with Sight Gauge S</p>	<p>* Combination type</p> <p>F = 5µ</p> <p>Fc = 1µ</p> <p>Fa = .01µ</p> <p>Fa = Adsorber</p>	<p>* Not available when using lubricator.</p> <p>Note: All bowl types are the same for each component.</p> <p>Example: If a "G" is specified for a F+L, both units would get a poly bowl with bowl guard.</p>	<p>Drain Type</p> <p>Auto Drain A</p> <p>Manual Drain M</p>								

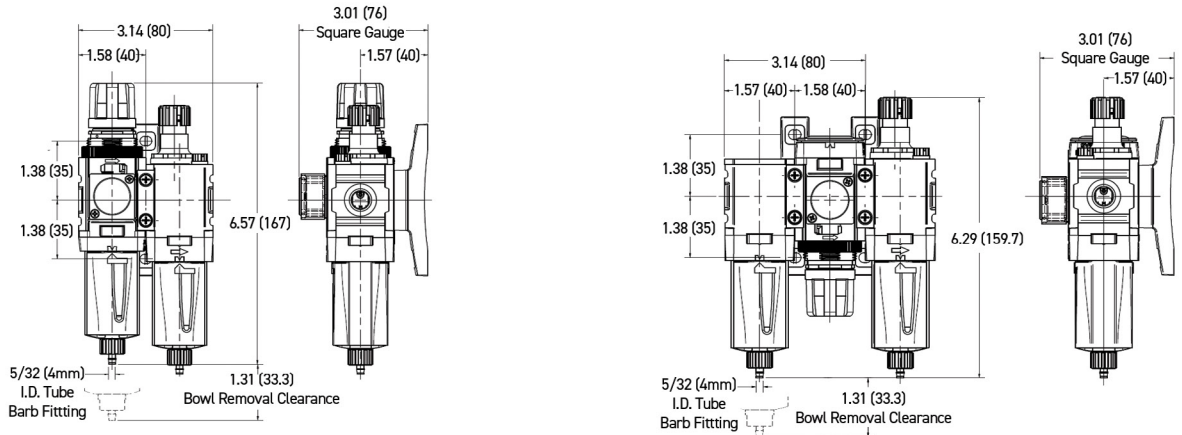


For inventory, lead times, and kit lookup, visit www.pdnplu.com

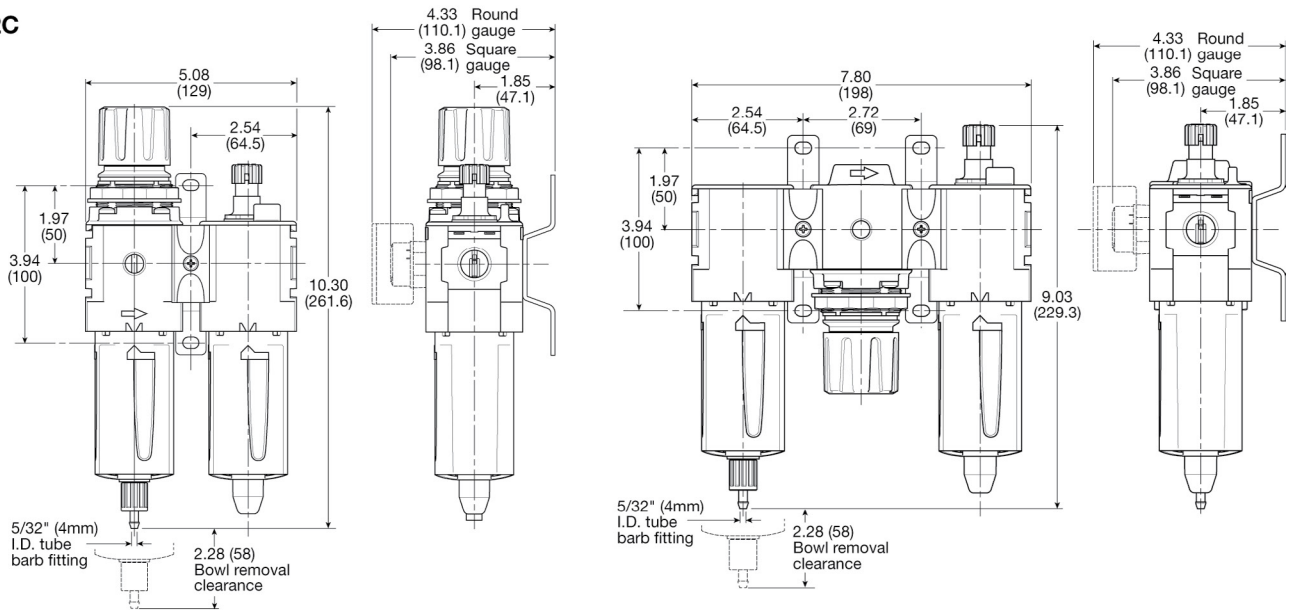
Popular Combination Dimensions

inches (mm)

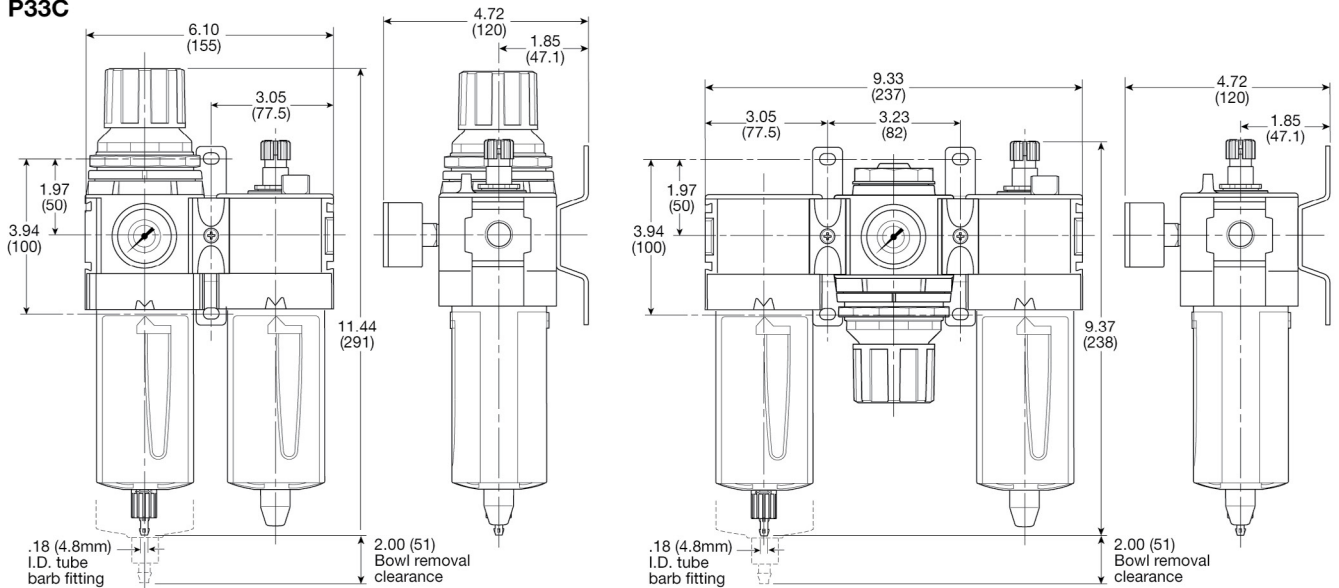
P31C



P32C



P33C



B

Global Air Preparation

Introduction

Filters

Coalescers

Regulators

Filter / Regulators

Lubricators

Combinations

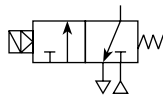
Accessories and Kits



For inventory, lead times, and kit lookup, visit www.pdnplu.com

P31D & P32D Dump Valves

- Modular design with 1/4" or 1/2" integral ports (NPT & BSPP)
- The 3-way, 2-position function automatically dumps downstream pressure on the loss of pilot signal
- Solenoid or air pilot options
- High flow & exhaust capability
- Silencer included



Remotely operated dump valves automatically shut off upstream pressure and exhaust the downstream pressure when the pilot pressure is released.

To maintain these units in the open position a pilot supply to the air pilot operated version or an electrical signal to the solenoid operated version must be maintained.

The valve will automatically dump when the holding signal is removed.

Port Size	Description	Weight lbs (kg)	Part Number
1/4"	120VAC Solenoid & cable plug	0.8 (0.37)	P31DA92SGNC1FN
1/4"	24VDC Solenoid & cable plug†	0.9 (0.41)	P31DA92SGNC2CN
1/2"	120VAC 30mm coil & cable plug incl. ‡	1.5 (0.69)	P32DA94SCNA3GN
1/2"	24VDC 30mm coil & cable plug incl. ‡	2.0 (0.91)	P32DA94SCNA2CN
1/2"	External air pilot operated †	1.9 (0.87)	P32DA94PPN

‡ Includes exhaust silencer

Operating information

Flow capacity*:	P31D	36 scfm (17 dm ³ /s, ANR)
	P32D	108 scfm (51 dm ³ /s, ANR)
Temperature range (max)†:	Solenoid operated	14°F to 122°F (-10°C to 50°C)
	Air pilot operated	-4°F to 176°F (-20°C to 80°C)
Pressure (max):	Solenoid operated	150 psig (10 bar)
	Air pilot operated	250 psig (17 bar)
Operating pressure (min):		44 psig (3 bar)
Fluid:		Compressed air
Ports:	Air pilot	1/8
	Exhaust	P31D - 1/4; P32D - 1/2
	Gauge	P31D - 1/8; P32D - 1/4

* Inlet pressure 91.3 psig (6.3 bar), inlet pressure and 14.5 psig (1 bar) pressure drop.

† Air supply must be dry enough to avoid ice formation at temperatures below 35.6°F (2°C). Snap pressure: Full flow when downstream pressure reaches 50% of the inlet pressure.

Ordering Information:

P31DA 9 2 S G N C 2CN

Solenoid type only

Body Size	Actuator Interface	Solenoid Voltage
Dump Valve (1/4") P31DA	G 15mm Solenoid (P31 Only)	2CN 24VDC Non Locking Manual Override
Dump Valve (1/2") P32DA	C 30mm Solenoid	3GN 120VAC Non Locking Manual Override
	P Threaded Air Pilot (P32 only)	1FN 120VAC Non Locking Manual Override (P31 series only)

Thread Type	Pilot Type	Solenoid Type
BSPP 1	P External Air Pilot (P32 only)	C 15mm (P31 series only)
NPT 9	S Solenoid Pilot	A 30mm CNOMO Coil (P32 only)
		D 30mm CNOMO Coil (M12 connection) (P32 only)

Port Size
Global Modular Mini (1/4") 2
Global Modular Compact (1/2") 4

Note:
P32 unit used for both P32 & P33 series

☐ Most popular.

B
 Global Air Preparation
 Introduction
 Filters
 Coalescers
 Regulators
 Filter / Regulators
 Lubricators
 Combinations
 Accessories and Kits




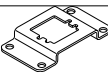
For inventory, lead times, and kit lookup, visit www.pdnplu.com

Dump Valves

Material Specifications

Body	Aluminum
Body cover	Polyester
Seals	Nitrile NBR

Mounting Brackets

	Description	Part Number
	L-bracket mounting kit	P3HKA00ML
	Foot bracket mounting kit	P3HKA00MC

Note:

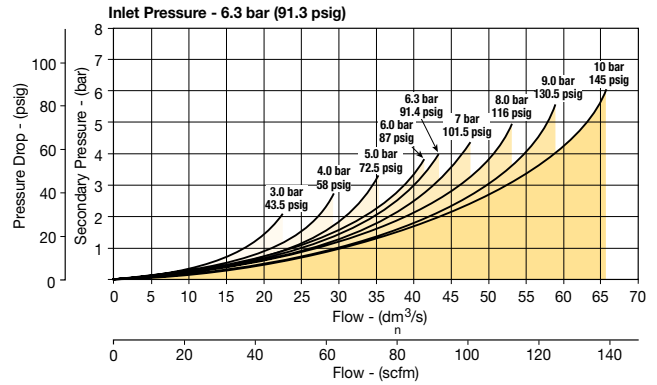
For solenoid operators and cable plugs (connectors) see pages B83 and B84.

Air Preparation Products

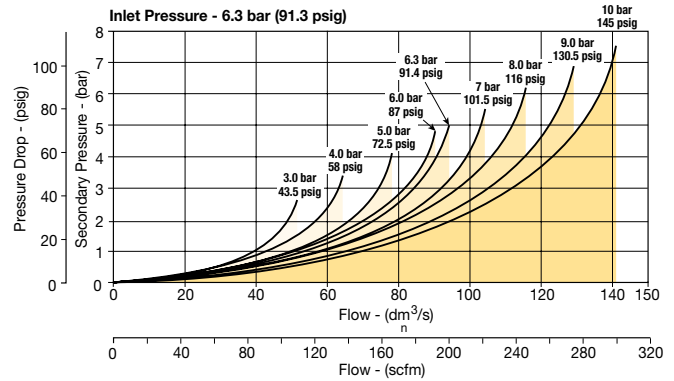
Global Air Preparation

Flow Charts

P31DA 1/4" Remote Dump Valve

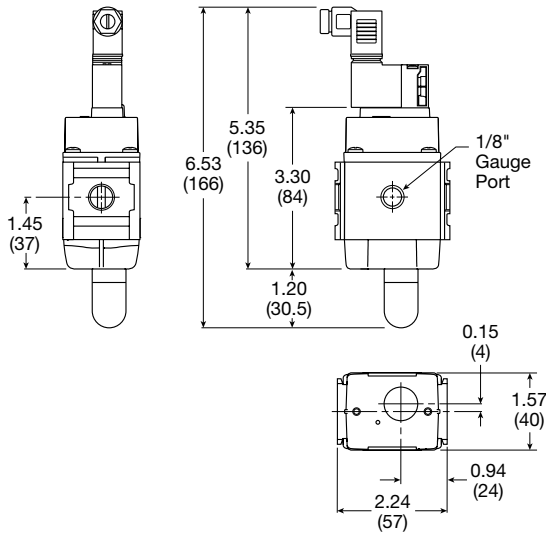


P32DA 1/2" Remote Dump Valve

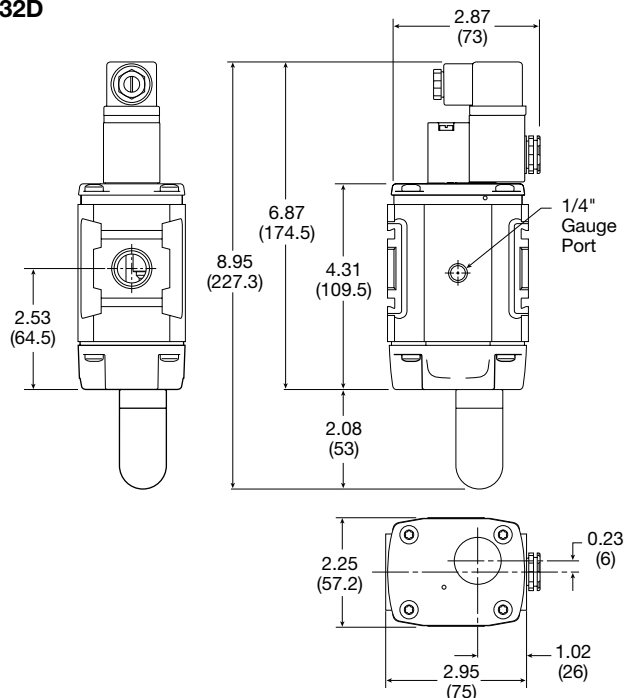



Dimensions inches (mm)

P31D



P32D



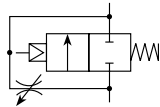
 Most popular.



For inventory, lead times, and kit lookup, visit www.pdnplu.com

P31S & P32S Soft Start Valves

- Modular design with 1/4" or 1/2" integral ports (NPT & BSPT)
- The 2-way, 2-position function provides for the safe introduction of pressure
- Adjustable slow start
- Solenoid or air pilot options
- High flow



Parker Global Series Soft Start Valves, provide for the safe introduction of pressure to machines or systems. Soft Start Valves, allow the pressure to gradually build to the set point before fully opening to deliver full flow at line pressure.

The controlled introduction of pressure can be an important safety factor and prevent damage to tooling when air pressure is introduced at machine or system start up.

Note: Soft Start Valves must be installed downstream of a 3/2 valve with exhaust capability

Port Size	Description	Weight lbs (kg)	Part Number
1/4"	120VAC Solenoid & Cable Plug	0.8 (0.37)	P31SA92SGNC1FN
1/4"	24VDC Solenoid & Cable Plug	0.9 (0.41)	P31SA92SGNC2CN
1/2"	120VAC 30mm Coil & Cable Plug Incl.	1.5 (0.87)	P32SA94SCNA3GN
1/2"	24VDC 30mm Coil & Cable Plug	2.0 (0.90)	P32SA94SCNA2CN
1/2"	Internal Air Pilot Operated	2.0 (0.90)	P32SA94YON
1/2"	External Air Pilot (1/8 threaded)	1.5 (0.87)	P32SA94PPN

Operating information

Flow capacity*:	P31S	36 scfm (17 dm ³ /s, ANR)
	P32S	101 scfm (48 dm ³ /s, ANR)
Temperature range (max)†:	Solenoid operated	14°F to 122°F (-10°C to 50°C)
	Air pilot operated	-4°F to 176°F (-20°C to 80°C)
Pressure (max):	Solenoid operated	150 psig (10 bar)
	Air pilot operated	250 psig (7 bar)
Operating pressure (min):		44 psig (3 bar)
Fluid:		Compressed air
Ports:	Air pilot	1/8
	Gauge	P31S - 1/8; P32S - 1/4

* Inlet pressure 91.3 psig (6.3 bar), inlet pressure and 14.5 psig (1 bar) pressure drop.

† Air supply must be dry enough to avoid ice formation at temperatures below 35.6°F (2°C). Snap pressure: Full flow when downstream pressure reaches 50% of the inlet pressure.

Ordering Information:

P31SA 9 2 S G N C 2CN

Body Size	Actuator Interface	Solenoid Voltage
Soft Start P31SA	0 Internal Pilot (P32 only)	2CN 24VDC non Locking Manual Override
Soft Start P32SA	G 15mm Solenoid (P31 only)	3GN 120VAC non Locking Manual Override
	C 30mm Solenoid	1FN 120VAC Non Locking Manual Override (P31 series only)
	P Threaded Air Pilot (P32 only)	
Thread Type	Pilot type	Solenoid type
BSPP 1	P External air pilot (P32 only)	C 15mm (P31 series only)
NPT 9	S Solenoid pilot	A 30mm CNOMO coil (P32 only)
	Y Internal air pilot (P32 only)	D 30mm CNOMO coil (M12 connection) (P32 only)
Port Size		
Global Modular Mini (1/4") 2		
Global Modular Compact (1/2") 4		

Note: P32 unit used for both P32 & P33 series

☐ Most popular.



For inventory, lead times, and kit lookup, visit www.pdnplu.com

Material Specifications

Body	Aluminum
Body cover	Polyester
Seals	Nitrile NBR

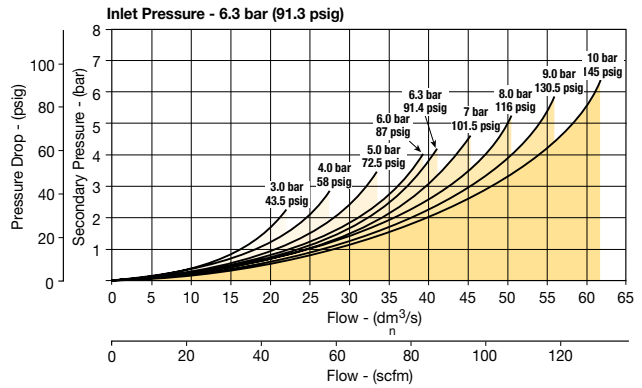
Service Kits

P31S	L-bracket mounting kit	P3HKA00ML
	Foot bracket mounting kit	P3HKA00MC
P32S	L-bracket mounting kit	P3KKA00ML
	Foot bracket mounting kit	P3KKA00MC

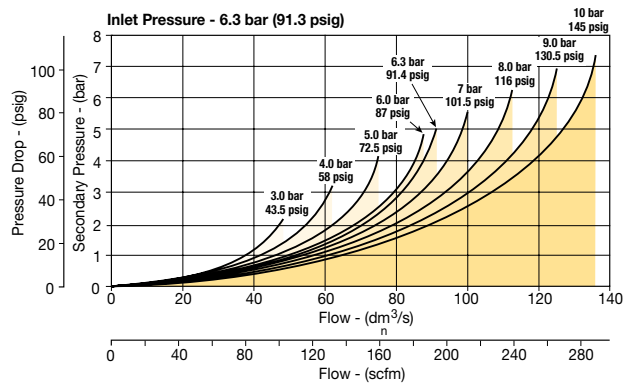
Note:
 For solenoid operators and cable plugs (connectors) see pages B83 and B84.

Flow Charts

P31SA 1/4" Soft Start Valve

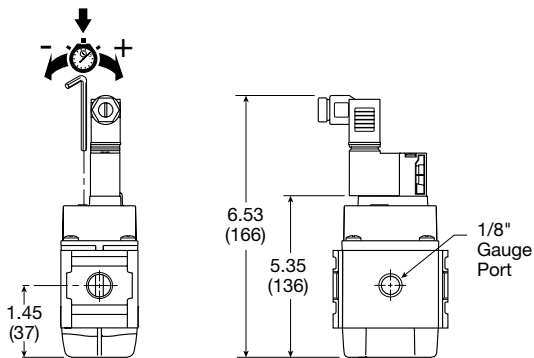


P32SA 1/2" Soft Start Valve

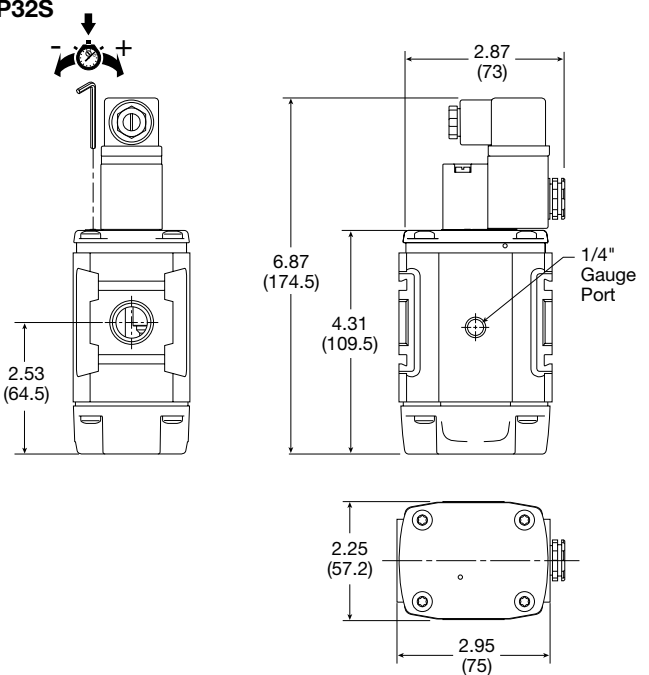


Dimensions inches (mm)

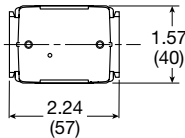
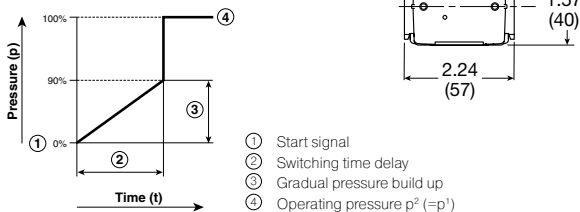
P31S



P32S

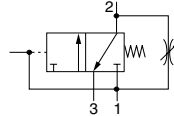


Soft Start Function:



P31T & P32T Combined Soft Start / Dump Valves

- Modular design with 1/4" or 1/2" integral ports (NPT & BSPP)
- Provides for the safe introduction of pressure
- The 3-way, 2-position function automatically dumps downstream pressure on the loss of pilot signal
- Adjustable slow start
- Solenoid or air pilot options
- High flow & exhaust capability
- Silencer included

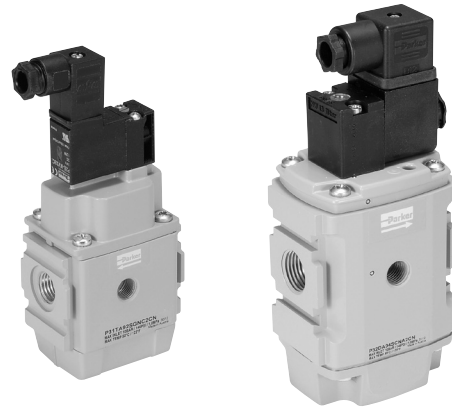


Parker Global Series Combined Soft Start / Dump Valves, provide for the safe introduction of pressure to machines or systems. Soft Start / Dump Valves when set, allow the pressure to gradually build to the set point before fully opening to deliver full flow at line pressure.

The controlled introduction of pressure can be an important safety factor and prevent damage to tooling when air pressure is introduced at machine or system start up.

To maintain these units in the open position a pilot supply to the air pilot operated version or an electrical signal to the solenoid operated version must be maintained. The valve will automatically dump when the holding signal is removed.

Port Size	Description	Weight lbs (kg)	Part Number
1/4"	120VAC Solenoid & cable plug	0.8 (0.37)	P31TA92SGNC1FN
1/4"	24VDC Solenoid & cable plug	0.9 (0.41)	P31TA92SGNC2CN
1/2"	120VAC 30mm coil & cable plug incl.	1.9 (0.87)	P32TA94SCNA3GN
1/2"	24VDC 30mm coil & cable plug incl.	2.0 (0.91)	P32TA94SCNA2CN
1/2"	External air pilot operated	1.9 (0.87)	P32TA94PPN



Operating information

Flow capacity*:	P31T	36 scfm (17 dm ³ /s, ANR)
	P32T	108 scfm (51 dm ³ /s, ANR)
Temperature range (max)†:		
Solenoid operated		14°F to 122°F (-10°C to 50°C)
Air pilot operated		-4°F to 176°F (-20°C to 80°C)
Pressure (max):		
Solenoid operated		150 psig (10 bar)
Air pilot operated		250 psig (7 bar)
Operating pressure (min):		44 psig (3 bar)
Fluid:		Compressed air
Ports:	Air pilot	1/8
	Exhaust	P31T - 1/4; P32T - 1/2
	Gauge	P31T - 1/8; P32T - 1/4

* Inlet pressure 91.3 psig (6.3 bar), inlet pressure and 14.5 psig (1 bar) pressure drop.

† Air supply must be dry enough to avoid ice formation at temperatures below 35.6°F (2°C). Snap pressure: Full flow when downstream pressure reaches 50% of the inlet pressure.

Ordering Information:

P31TA 9 2 S G N C 2CN

Body Size	Actuator Interface	Solenoid Voltage
Soft Start / Dump Valve (1/4") P31TA	G 15mm Solenoid (P31 only)	2CN 24VDC Non Locking Manual Override
Soft Start / Dump Valve (1/2") P32TA	C 30mm Solenoid	3GN 120VAC Non Locking Manual Override
	P Threaded Air Pilot (P32 only)	1FN 120VAC Non Locking Manual Override (P31 series only)

Thread Type	Pilot Type	Solenoid Type
BSPP 1	P External Air Pilot (P32 only)	C 15mm (P31 series only)
NPT 9	S Solenoid Pilot	A 30mm CNOMO Coil (P32 only)
		D 30mm CNOMO Coil (M12 connection) (P32 only)

Port Size
Global Modular Mini (1/4") 2
Global Modular Compact (1/2") 4

Note:
P32 unit used for both P32 & P33 series

Most popular.

B

Global Air Preparation

Introduction

Filters

Coalescers

Regulators

Filter / Regulators

Lubricators

Combinations

Accessories and Kits



For inventory, lead times, and kit lookup, visit www.pdnplu.com

Combined Soft Start / Dump Valves

Air Preparation Products Global Air Preparation

Material Specifications

Body	Aluminum
Body cover	Polyester
Seals	Nitrile NBR

Service Kits

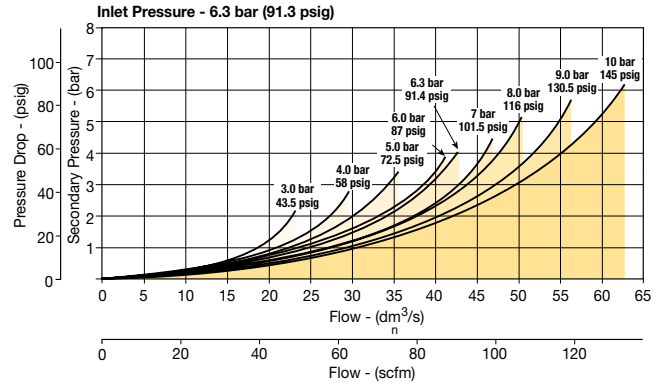
P31T	L-bracket mounting kit	P3HKA00ML
	Foot bracket mounting kit	P3HKA00MC
P32T	L-bracket mounting kit	P3KKA00ML
	Foot bracket mounting kit	P3KKA00MC

Note:

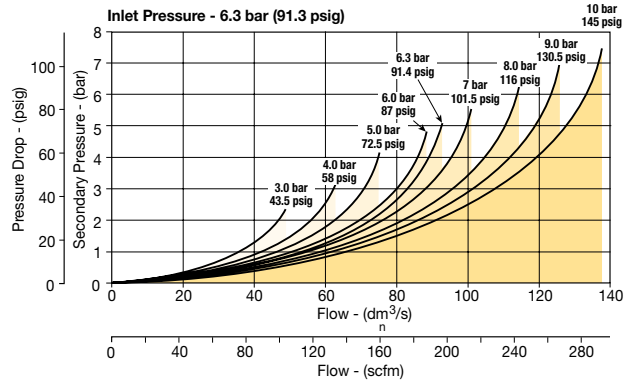
For solenoid operators and cable plugs (connectors) see pages B83 and B84.

Flow Charts

P31TA 1/4" Soft Start & Dump Valve

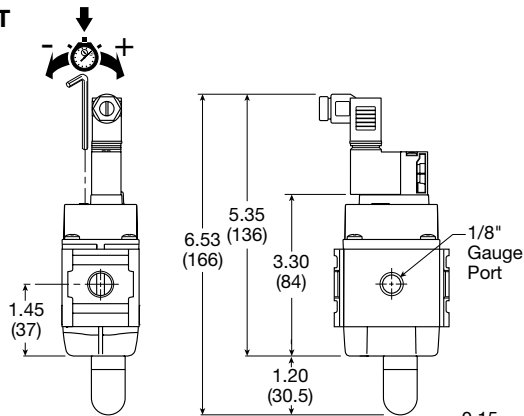


P32TA 1/2" Soft Start & Dump Valve

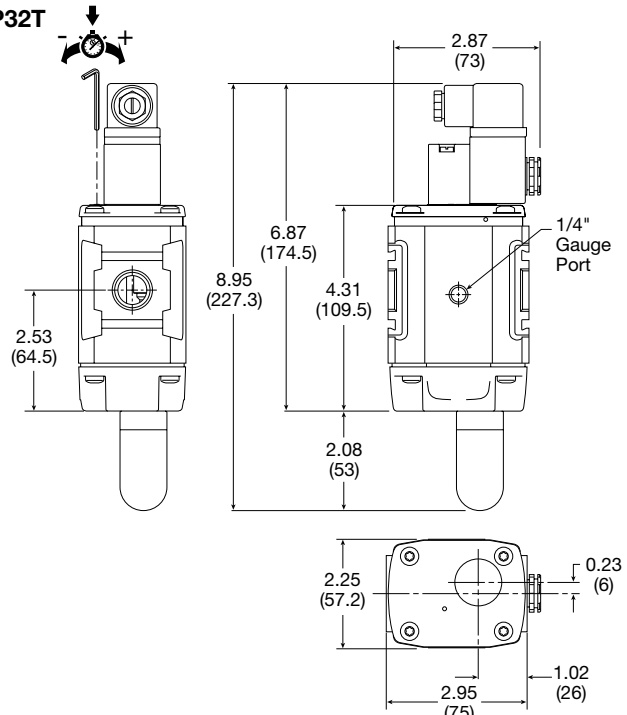


Dimensions inches (mm)

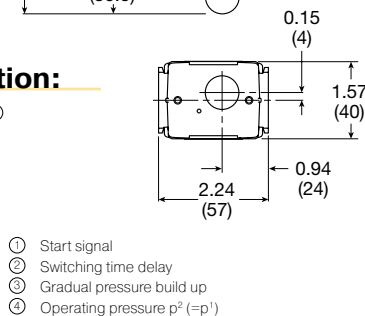
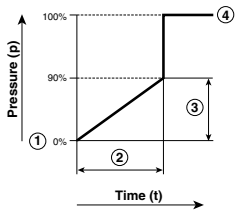
P31T



P32T



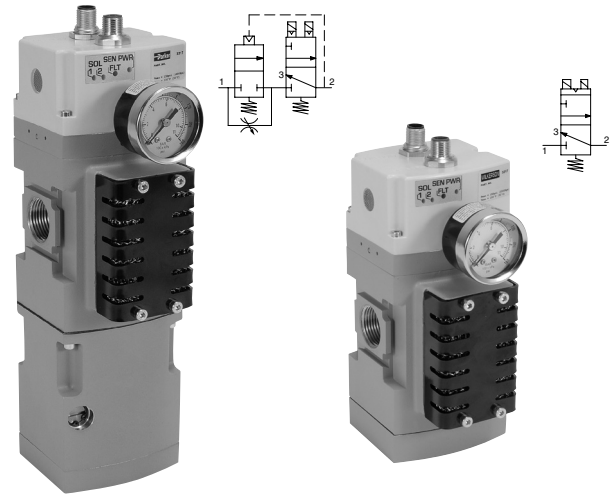
Soft Start Function:



For inventory, lead times, and kit lookup, visit www.pdnplu.com

P33D & P33T Safety Exhaust Valves

- Easy electrical interface with M12 connectors to safety circuit
- External monitoring provides a cost and space saving advantage
- Solid state pressure sensors provide accurate, fast fault detection
- Quick visual LED indicators on the front of the valve
- Superior seated seal design for longer life
- Safety exhaust outlet is no-maintenance and non-clog by design
- Suitable for stand alone use or modular mounting to P32 or P33 FRL assembly
- High B10 life value
- Fast exhaust times allow for smaller machine footprint



(optional soft start)



Operating information

Operating pressure:	30 to 150 PSIG (2 to 10 bar)
Minimum operating pressure:	30 PSIG (2 bar)
Ambient temperature:	40° to 120°F (4° to 50°C)
Recommended filtration:	40µ
Operating medium:	Compressed air
Ingress protection class:	IP65
B10 (mio):	10 million switching cycles
B10 d (mio):	20 million switching cycles
Allowable discordance:	150ms
Flow media:	Compresses air to ISO 8573-1 Class 7:4:4
Weight lbs (kg):	6.5 (2.9) with soft start 4.2 (1.9) without soft start

The soft start opens to full flow at approximately 60% of input pressure.

Ordering Information:

P3	3	T	B	1	6	A	B	E	N
Series Standard P3	Global Standard 3	Type Safety Redundant (no soft start) D Safety Redundant (c/w soft start) T	Design Current B	Thread Type BSPP 1 NPT 9	Port Size 3/4" ¹ 6	Output for Solenoid, M12 Connector Pin 2 & 4, Common A 3 & 4 C 2 & 4 D	Output for Sensors, M12 Connector Pin 1 & 2, 1 & 4, Common 3 A 1 & 2, 5 & 4, Common 3 B 5 & 2, 1 & 4, Common 3 C	Sensor Monitoring External E	Gauge ² No Gauge N Dial Gauge ³ (standard) G Digital Gauge ³ D MPS-P34 Pressure Sensor M
<p>Notes:</p> <p>1. For 1/2" connections use 1/2" port blocks on standard 3/4" housing.</p> <p>2. Safety valve supplied with 1/8" gauge port in either BSPP or NPT threads as specified for ports. Gauges shipped loose.</p> <p>3. Dial or digital gauge not available on BSPP version.</p> <p>Note: Mounting hardware and port blocks are sold separately.</p>									

☐ Most popular.



For inventory, lead times, and kit lookup, visit www.pdnplu.com

B
 Global Air Preparation
 Introduction
 Filters
 Coalescers
 Regulators
 Filter / Regulators
 Lubricators
 Combinations
 Accessories and Kits

General Technical Data

Valve type	Externally monitored, redundant, dual poppet
Soft start	Optional
Valve function	3/2 way, normally closed
Housing material	Cast aluminum
Seals	NBR
Fasteners	Stainless steel / brass
Silencer	Steel, non clog safety design

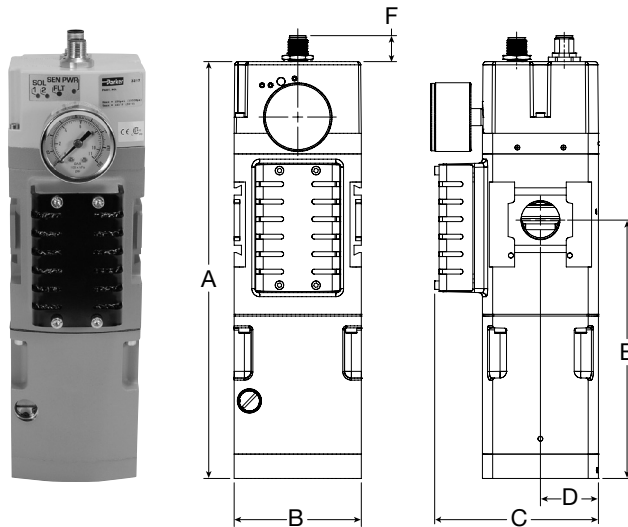
Electrical Specifications

Operating voltage	24V DC
Electrical connection	Two M12 connectors
Switching time 1-2 (ms)	23.3
Switching time 2-3 (ms)	42.7
Duty cycle (%)	100%
Operating voltage (DC)	21.6 to 26.4
Nominal power	
per solenoid coil at 24V DC (W) +/- 10%	1.2 W
per pressure sensor at 24V DC	1.2 W

In accordance with EN ISO 13849-1 this safety valve is suitable for use up to Category 4, Plc, sil 3. Certified to cCSAus and bears the CE mark.

A product Integration Guide is available to help connect your logic controller to the Parker Safety Exhaust Valve under the Product Support tab at www.parker.com/pdn/safetyvalve

Externally Monitored (with Soft Start)

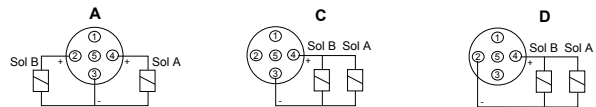


Air Preparation Products
Global Air Preparation

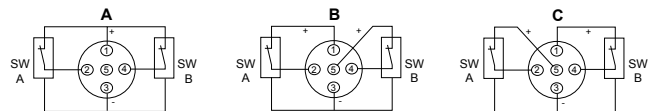
Mounting Hardware

Body Connector		P32KA00CB
T-Bracket w / Body Connector		P32KA00MT
T-Bracket (fits to body connector or port block)		P32KA00MB
Port Block Kits (includes two)	1/2" NPT	P32KA94CP
	1/2" BSPT	P32KA24CP
	1/2" BSPP	P32KA14CP
	3/4" NPT	P32KA96CP
	3/4" BSPT	P32KA26CP
	3/4" BSPP	P32KA16CP

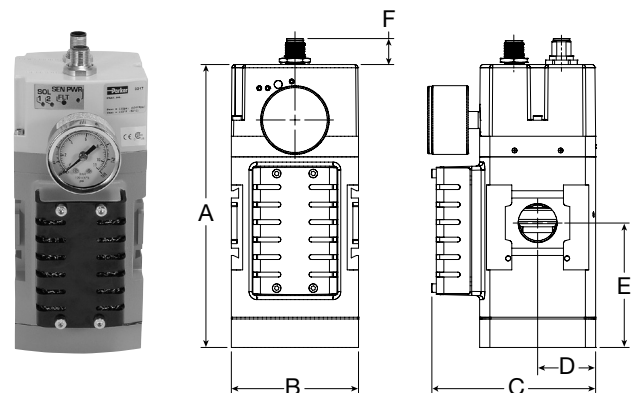
Solenoid M12 Pinouts



Pressure Sensor M12 Pinouts



Externally Monitored (No Soft Start)



Dimensions inches (mm)

	Ports	Standard nominal flow rate		A	B	C	D	E	F
		1 → 2 L/min (SCFM)*	2 → 3 L/min (SCFM)*						
Externally Monitored with soft start	3/4"	4,100 (145)	7,500 (265)	10.31 (261.9)	3.15 (80)	4.30 (109.3)	1.44 (36.5)	6.39 (162.3)	0.64 (16.3)
Externally Monitored no soft start	3/4"	4,300 (152)	7,500 (265)	7.03 (178.7)	3.15 (80)	4.30 (109.3)	1.44 (36.5)	3.11 (79.0)	0.64 (16.3)

* Standard nominal flow rate is based on 6 bar input pressure with ΔP = 1 bar

B
 Global Air Preparation

Introduction

Filters

Coalescers

Regulators

Filter / Regulators

Lubricators

Combinations

Accessories and Kits



For inventory, lead times, and kit lookup, visit www.pdnplu.com

B	Global Air Preparation
	Introduction
Filters	
Coalescers	
Regulators	
Filter / Regulators	
Lubricators	
Combinations	
Accessories and Kits	

Safety Exhaust Valve Function

When applications demand a safe environment you can count on safety valves from Parker Hannifin. The P33 family of safety exhaust valves are 3/2 normally closed valves designed to rapidly exhaust compressed air in the event of a fault condition and to provide monitored coverage ensuring safe function. The P33 is available in two distinct styles, internally* or externally monitored. The valve is suitable for use up to Category 4, performance level e. Monitoring is achieved externally via a two channel system connected to a safety interface device. Both valves are available with an adjustable soft start and high flow exhaust to shut your equipment down faster when needed. LED's provide clear status of main solenoid operation, sensor power and fault condition for quick visual reference.

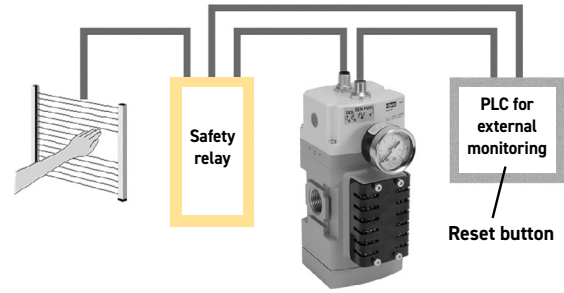
Externally Monitored Valve, Faults and Resets

The externally monitored valve has the monitoring done via a PLC or relay which offers a size and cost advantage over internally monitored valves. The integration of a safety interface into the PLC or relay will help determine the achievable category and performance level of the control system. Customers are required to provide the logic function via the safety device. The valve will lock-out to the "safe state" if asynchronous movement of the valve elements occur which will be detected by solid state pressure sensors. To achieve the proper safety rating, the safety PLC or relay must monitor the solid state pressure sensors to ensure they are not in different states for more than 150ms. If the sensors are in different states for longer than 150ms then the programming logic must shut off power to the solenoids and consider it a fault condition. If during operation the externally monitored P33 enters a fault condition the valve will shut off. A separate reset signal must be incorporated into the logic sequence to avoid automatic restart of the valve. The safety exhaust valves are not for use with clutch or brake applications and are designed for use in conjunction with a safety relay or safety PLC for safe monitoring and fault detection.

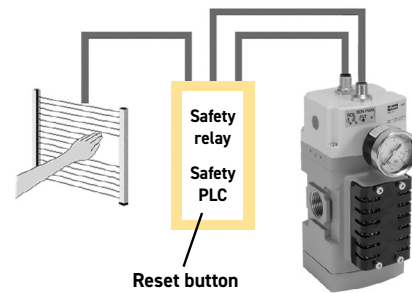
Achieving Desired Performance Level **

The category and performance level (PLr) needed for your machine is determined by a risk assessment of the machinery design and application based on EN ISO 13849-1. The Parker P33 safety valve is designed for those applications requiring a PL of d or e. Please note these levels require other aspects of the system to meet these requirements. As a guide: you can achieve a Cat 4 PL e system by integrating monitoring via a programmable safety rated device. Because the P33 is a mechanical fail-safe device, the monitoring could also be done via a standard PLC and still attain as high as a PL d rating.

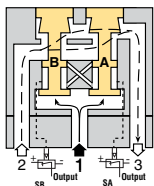
Cat 3, PL d



Cat 4, PL e

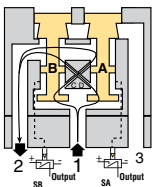


* For information on internally monitored safety valves reference Bulletin 0700-B13.
 ** An integration guide is available to provide further information on connecting the safety valve product to achieve the desired performance level. Please consult Parker and the standard EN ISO 13849-1 for more information.



Conditions at Start

The Safety exhaust valve starts with inlet 1 closed to outlet 2 by both valve elements A and B. Outlet 2 is open to exhaust 3. Pressure signals at both sensors SA and SB are exhausted and contacts 1 and 2 of sensors SA and SB are connected. The normally closed sensors both provide voltage feedback signals to the external monitoring system.



Normal Operation

During normal operation the two solenoids are simultaneously energized which actuates both pilots and causes valve elements A and B to shift. Inlet 1 is then connected to outlet 2 via crossflow passages C and D. Exhaust 3 is closed. Sensing pressure signals go to each pressure sensor and become equal to inlet pressure. Both sensors contacts open and no voltage signals are provided to the external monitoring system. This indicates that both sides of the valve actuated as expected.

Detecting a Malfunction

A malfunction in the system or the valve itself could cause one valve element to be open and the other closed. Air then flows past the inlet poppet on valve element A, into crossflow passage D, but is substantially blocked by the spool portion of element B. The large size of the open exhaust passage past element B keeps the pressure at the outlet port below 2% of inlet pressure. Full sensing air pressure from side A goes to sensor SA, and a reduced pressure goes to sensor SB. This full pressure signal causes SA to open. Sensor SB, with a reduced pressure signal, does not open. An external monitoring system can detect the malfunction by monitoring the outputs of the SA and SB sensors. The external monitor system must then react accordingly by shutting down the power to the valve solenoids and any other components deemed necessary to stop the machine.



For inventory, lead times, and kit lookup, visit www.pdnplu.com

Machinery Directive - Overview

The Machinery Directives' goal is to protect people and the environment from accidents caused from all types of machinery. Based on the standard EN 13849 [safety of machines; safety-related parts of control systems] these standards build the procedure to assess safety-related control systems.

Required Performance Level (PLr) based on a risk assessment are now commonly used to determine the safety level required for the controls system, for the application of machinery.

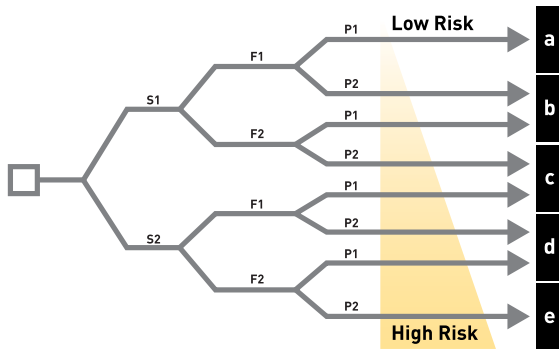
Performance Level (PL) based on the original B, 1,2,3,4 safety categories, diagnostic capabilities, Mean time to dangerous failure (MTTFd), and common cause failure (CCF), define safety levels of a given safety function. This ensures that safety is not just focused on component reliability, but instead introduces common sense safety principles such as redundancy, diversity, and fail-safe behavior of safety related control parts.

The new EN 13849 standards of the Machinery Directive dictates the machine is safe when the Performance Level of the safety control circuit is equal to or greater than the Required Performance Level of the application. When determining the required performance level, the greater the risk, the higher the requirements of the control system.

$$PL_r \leq PL$$

Determining PLr According to EN 13849-1

The level of each hazardous situation is classified in five Performance levels from a to e. With PL a the control functions contribution to risk reduction is low, while at PL e it is high. The risk graph above can be used as a guideline to determine the required performance level PLr for safety function.



Risk Parameters

(S) Severity of injury

- S1 Slight (normally reversible injury)
- S2 Serious (normally irreversible injury, or death)

(F) Frequency and / or duration of exposure to hazard

- F1 Seldom to less often and / or brief
- F2 Frequent to continuous and / or long

(P) Possibility of avoiding the hazard

- P1 Possibility of avoiding the hazard
- P2 Scarcely ever possible

Determining PL According to EN 13849-1

Determining the MTTF_d = Mean Time To Dangerous Failure

Determining the PL = Performance Level	a								10 ⁻³ ≤ PFH _d < 10 ⁻⁴
	b								3 X 10 ⁻⁴ ≤ PFH _d < 10 ⁻³
	c								10 ⁻⁴ ≤ PFH _d < 3 X 10 ⁻⁴
	d								10 ⁻⁷ ≤ PFH _d < 10 ⁻⁶
	e								10 ⁻⁶ ≤ PFH _d < 10 ⁻⁷
	DC < 60% None	DC < 60% None	60% ≤ DC < 90% Low	90% ≤ DC < 99% Medium	60% ≤ DC < 90% Low	90% ≤ DC < 99% Medium	99% ≤ DC High		
	Cat. B	Cat. 1	Cat. 2	Cat. 3	Cat. 4				
	CCF not relevant		CCF ≥ 65%						

Determining the SIL = Safety Integrity Level

Categories Defined by EN 13849-1

Category	Summary
Category B	When a fault occurs it can lead to the loss of the safety function.
Category 1	Same that Category B, but loss of the safety function is less likely thanks to a good MTTFd of each channel.
Category 2	System behavior allow that the occurrence of a fault can lead to the loss of the safety function between the checks; the loss of the safety function is detected by the check.
Category 3	A single fault in any of safety related parts does not lead to the loss of the safety function. Whenever reasonably possible the single fault shall be detected at or before the next demand upon the safety function. (Means redundancy)
Category 4	Same as Category 3, but if detection of single fault is not possible on or before the next demand upon the safety, an accumulation of these undetected faults shall not lead to the loss of the safety function. (Means redundancy & check)

B

Global Air Preparation

Introduction

Filters

Coalescers

Regulators

Filter / Regulators

Lubricators

Combinations

Accessories and Kits



For inventory, lead times, and kit lookup, visit www.pdnplu.com

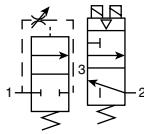
P33T Redundant Safety Exhaust Valve

- Proven control reliable technology with integrated soft start
- Soft start application of air to the system when energized; can be adjusted for slower or faster buildup of system pressure
- Rapid exhaust of downstream air when de-energized to remove stored energy and allow safe access
- Memory, monitoring, and air flow control functions are integrated into two identical valve elements. Valves lock-out if asynchronous movement of valve elements occurs during actuation or de-actuation, resulting in a residual outlet pressure of less than 1% of supply.
- Reset can only be accomplished by the integrated electrical (solenoid) reset. Cannot be reset by removing and re-applying supply pressure.
- Basic 3/2 normally closed valve function: Dirt tolerant, wear compensating poppet design for quick response and high flow capacity.
- LED indicators of main solenoid operation, reset solenoid operation, and status indicator condition.
- Optional transducer for monitoring of downstream pressure in the system.
- Dual exhaust silencers included.
- Not for use with clutch / brake applications.
- For use in conjunction with a safety relay or safety PLC.



Operating information

Pilot Solenoids:	According to VDE 0580
Enclosure rating:	According to DIN 400 50 IP65
Connector socket:	According to DIN 43650 Form A Three solenoids, rated for continuous duty
Standard voltages:	24VDC
Power consumption (each solenoid), for primary & reset solenoids:	1.2 Watts on DC
Enclosure rating:	IP65, IEC 60529
Electrical connection:	M12, 5-pin
Ambient temperature:	15°F to 122°F (-10°C to 50°C)
Media temperature:	40°F to 175°F (4°C to 80°C)
Flow media:	Compressed Air, Filtered to Minimum 40 Micron
Inlet pressure:	30 to 150 psig (2 to 10 bar)
Monitoring:	Dynamically, cyclically, internally during each actuating and de-actuating movement. Monitoring function has memory and requires an overt act to reset unit after lockout.
Mounting orientation:	Vertically with pilot solenoids on top
Port threads:	3/4 NPT, 3/4 BSPP
Control reliable:	Category 4 (Cat 4); performance Level e (PLe) in accordance with Machine directive - EN ISO 13849-1 (Certification pending)
Weight:	16.1 lb (7.3 kg) w/o transducer 16.3 lb (7.4 kg) w/ transducer



Port size			Cv		Part Number*
Inlet	Outlet	Transducer	1 to 2	2 to 3	
3/4	3/4	w/o transducer	3.7	8.5	P33TA96RG4F2CN
3/4	3/4	w/ transducer	3.7	8.5	P33TA96RG4G2CN

* NPT port threads. For BSPP threads, replace "9" in the part number with a "1".

Ordering Information:

P33TA	9	6 R	G 4	F	2CN
Body Size Standard P33T	Port Size 3/4" 6	Operator 15mm Solenoid G	Solenoid Dual M12 Connector without Transducer F Triple M12 Connector with Transducer G	Voltage 24VDC with Manual Override 2CN	
Thread Type BSPP 1 NPT 9	Type Solenoid Pilot + Gauge R	Mounting Cat 4 w/ Bracket 4			

Most popular.

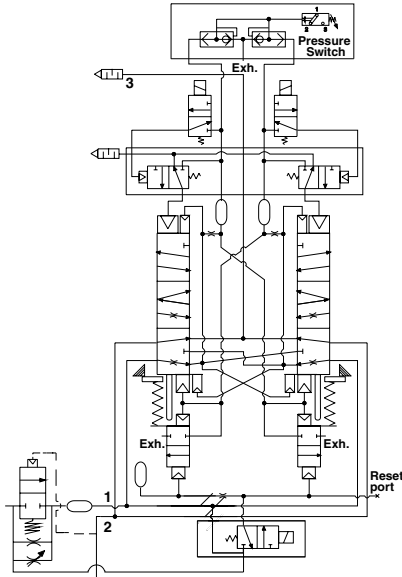
B
 Global Air Preparation
 Introduction
 Filters
 Coalescers
 Regulators
 Filter / Regulators
 Lubricators
 Combinations
 Accessories and Kits



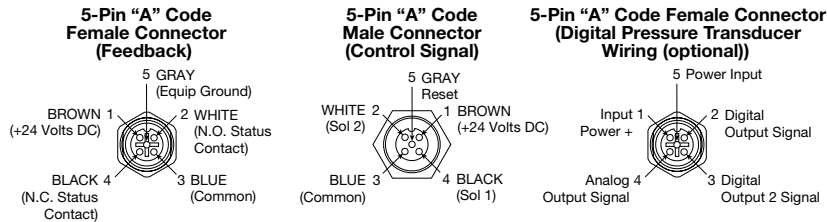
For inventory, lead times, and kit lookup, visit www.pdnplu.com

Repair and Service Kits

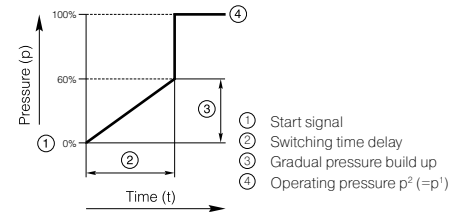
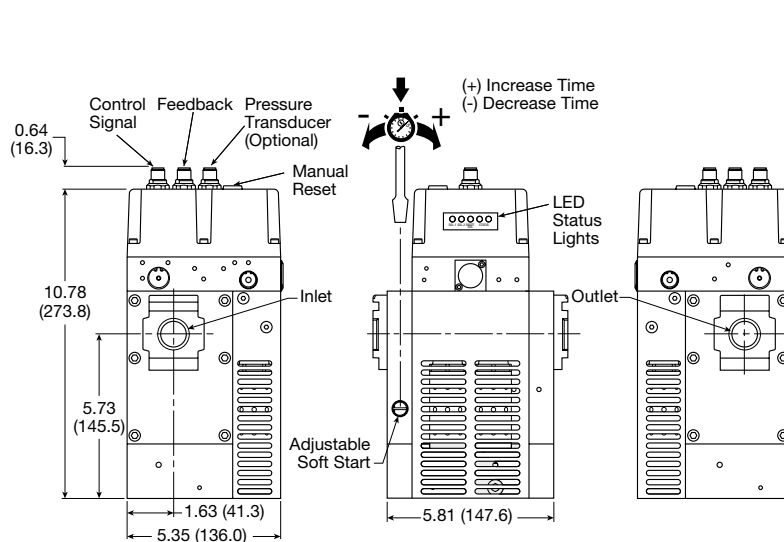
Black grill	1834C05-001
Body connector	P32KA00CB
M12, 5-pin female to flying lead cable, TPE; 6.6 ft (2 m)	RKC 4.5T-2/S1587
M12, 5-pin male to flying lead cable, TPE; 6.6 ft (2 m)	RSC 4.5T-2/S1587
1/2 NPT, port block kit	P32KA94CP
3/4 NPT, port block kit	P32KA96CP
1/2 BSPP, port block kit	P32KA14CP
3/4 BSPP, port block kit	P32KA16CP
1/2 BSPT, port block kit	P32KA24CP
3/4 BSPT, port block kit	P32KA26CP
Pressure switch	1227A30-001
Pressure transducer (optional)	1232H30-001
T-bracket w/ body connector	P32KA00MT
T-bracket (fits to body connector or port block)	P32KA00MB
Silencer(s) 3/4"	5500A5013
Solenoid (main & reset)	1527B7916-001
Square flush mounting gauge kit, 0-160 psig	K4511SCR160



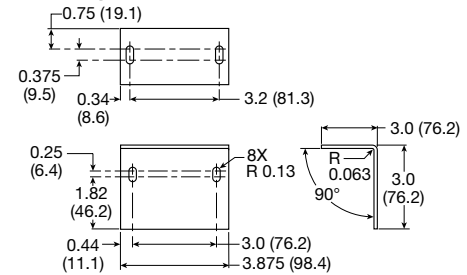
Valve Wiring



Dimensions inches (mm)



Angle Mounting Bracket



Note: Mounting bracket and installation screws included and required to install unit in the system.

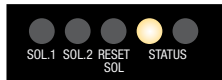
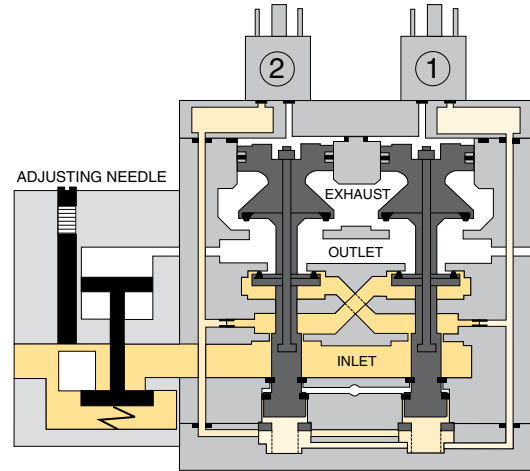


For inventory, lead times, and kit lookup, visit www.pdnplu.com

Valve de-actuated (ready-to-run):

The flow of inlet air pressure to the inlet chamber of the main valve internals is restricted by a fixed orifice and an adjustable flow control as well as an air piloted 2-way normally closed poppet valve. The flow of inlet air pressure into the crossover passages is restricted by the size of the passage between the stem and the valve body opening. Flow is sufficient to quickly pressurize pilot supply / timing chambers 1 and 2. The inlet poppets prevent air flow from crossover passages into the outlet chamber. Air pressure acting on the inlet poppets and return pistons securely hold the valve elements in the closed position. (Reset adapter omitted for clarity.)

The green "Status" LED will be illuminated indicating the valve is operational.

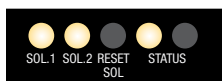
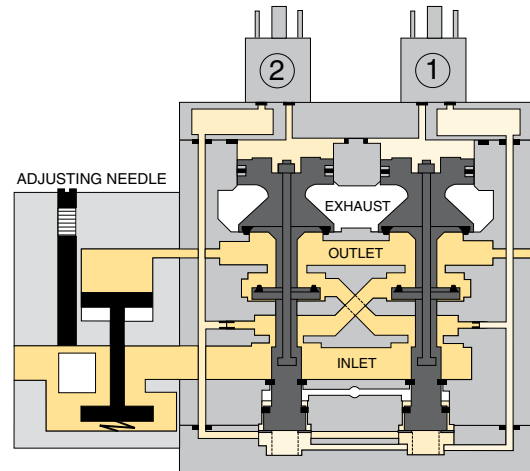


Valve actuated:

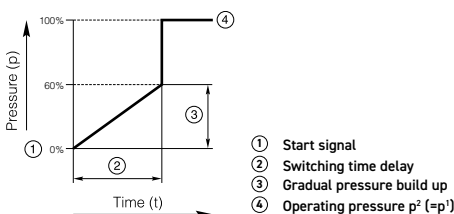
Energizing the pilot valves simultaneously applies pressure to both pistons, forcing the internal parts to move to their actuated (open) position, where inlet air flow to crossover passages is fully open, inlet poppets are fully open and exhaust poppets are fully closed. The outlet is then pressurized at a rate allowed by the fixed orifice and the adjusted flow control. Once the air pressure in the outlet chamber reaches approximately 60% of inlet pressure, the air piloted 2-way normally closed poppet valve opens fully and the pressure in the inlet, crossovers, outlet, and timing chambers are quickly equalized. The adjustable flow control will control the time it takes for the outlet air pressure to reach approximately 60% of inlet pressure.

De-energizing the pilots quickly causes the valve elements to return to the ready-to-run position.

Solenoid 1, Solenoid 2 and the green "Status" LED's will be illuminated indicating the valve is operating properly.



Soft start function:



Global Air Preparation

Introduction

Filters

Coalescers

Regulators

Filter / Regulators

Lubricators

Combinations

Accessories and Kits



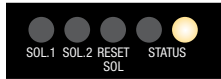
For inventory, lead times, and kit lookup, visit www.pdnplu.com

Valve fault and lock-out:

Whenever the valve elements operate in a sufficiently asynchronous manner, either on actuation or de-actuation, the valve will move to a locked-out position. In the locked-out position, one crossover and its related timing chamber will be exhausted, and the other crossover and its related timing chamber will be fully pressurized. The valve element (side 2) that is partially actuated has pilot air available to fully actuate it, but no air pressure on the return piston to fully de-actuate the valve element.

Air pressure in the crossover acts on the differential of side 2 stem diameters creating a latching force. Side 1 is in a fully closed position, and has no pilot air available to actuate, but has full pressure on the inlet poppet and return piston to hold the element in the fully closed position. Inlet air flow on side 1 into its crossover is restricted, and flows through the open inlet poppet on side 2, through the outlet into the exhaust port, and from the exhaust port to atmosphere. Residual pressure in the outlet is less than 1% of inlet pressure. The return springs are limited in travel, and can only return the valve elements to the intermediate (locked-out) position. Sufficient air pressure acting on the return pistons is needed to return the valve elements to a fully closed position.

The red "Status" LED will be illuminated indicating the valve in fault and lock-out must be reset



Valve reset (electrical or manual):

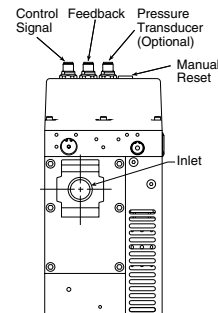
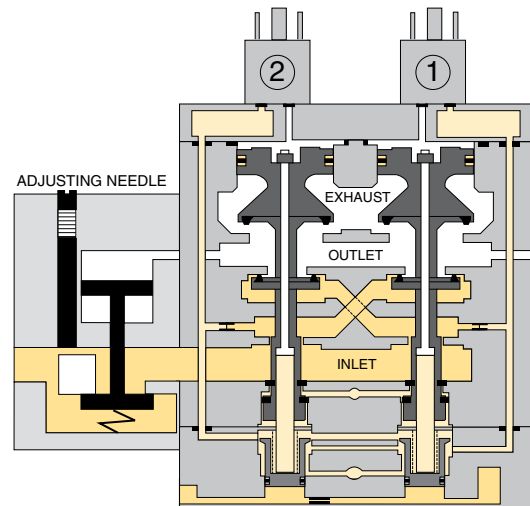
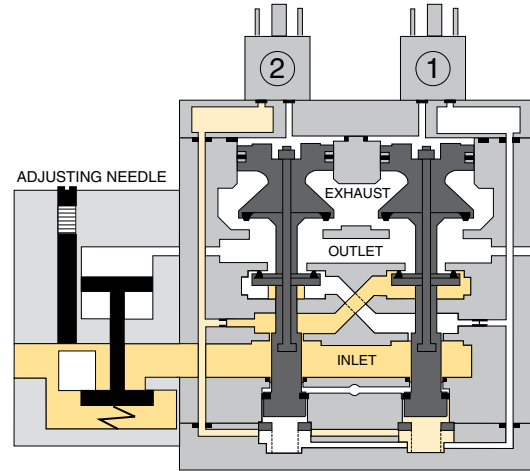
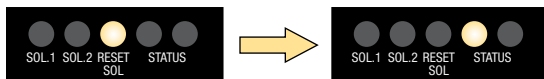
The reset procedure is as follows:

- Remove the electrical signals to the main coils
- Ensure there is air supplied to the valve
- Energize the reset solenoid for a minimum of 200 ms
- Allow a 200 ms delay after de-energizing the reset solenoid and re-energizing the main solenoids

The valve will remain in the locked-out position, even if the inlet air supply is removed and re-applied.

A remote reset signal must be applied to reset the valve. A momentary, remote electrical signal must be applied to the reset solenoid to apply pressure to the reset pistons in the valve. Actuation of the reset piston physically pushes the main valve elements to their closed position. Inlet air fully pressurizes the crossovers and holds the inlet poppets on seat. Actuation of the reset piston opens the reset poppet, thereby, immediately exhausting pilot supply air, thus, preventing valve operation during reset (Reset adapter added to illustration.). De-actuation of reset pistons causes the reset poppets to close and pilot supply to fully pressurize. Reset air pressure is applied by a 3/2 normally closed solenoid, or a manual push button mounted on the reset adapter in the top valve cover.

The green "Status" LED will be illuminated once the valve is reset.



B	Global Air Preparation
Introduction	Filters
Coalescers	Regulators
Regulators	Filter / Regulators
Filter / Regulators	Lubricators
Lubricators	Combinations
Combinations	Accessories and Kits



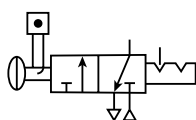
For inventory, lead times, and kit lookup, visit www.pdnplu.com

Ball Valve / Lockout Valve

The Ball / Lockout Valve shuts off downstream line pressure in the closed position with a 90° turn of the handle. In the closed position, inlet air pressure is blocked and downstream / system air is exhausted through a threaded port. To prevent unauthorized adjustment, the padlock slide may be assembled on either side. It is recommended that this slide is installed after final system assembly.

The Safety Lockout valves conform to OSHA #29 CFR part 1910 — control of hazardous energy source (lockout / tagout).

Note: This padlock slide is a permanent assembly and may not be removed later, any unauthorized tampering will void any warranty claims. The valve can only be locked in the closed position.



Operating information

Operating temperature:	-40°C to 80°C (-40°F to 176°F)
Pressure supply (max):	250 psig (17 bar)
Port size:	BSPP / BSPT / NPT
	1/4, 3/8, 1/2, 3/4
Weight:	P31 0.33 lbs (0.15 kg)
	P32 0.79 lbs (0.36 kg)
	P33 1.21 lbs (0.55 kg)

Ordering Information

Model Type	Port Size	Exhaust Port	Thread Type	Flow scfm (dm ³ /s, ANR)	Modular Ball Valve Flow from Left to Right
P31	1/4"	1/4"	NPT	42.4 (20)	P31VB92LBNN
P32	3/8"	1/4"	NPT	190.7 (90)	P32VB93LBNN
	1/2"	1/4"	NPT	258.5 (122)	P32VB94LBNN
P33	1/2"	1/2"	NPT	561.5 (265)	P33VB94LBNN
	3/4"	1/2"	NPT	678 (320)	P33VB96LBNN

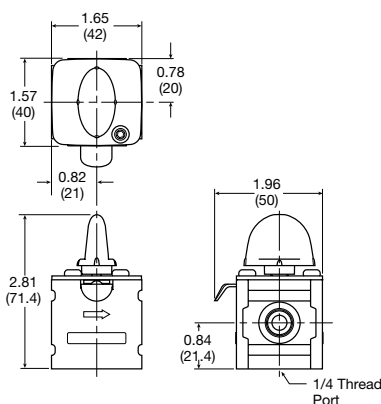
* Lockout tab and muffler supplied with unit.
For thread type: BSPP **1**
BSPT **2**
NPT **9**

Material Specifications

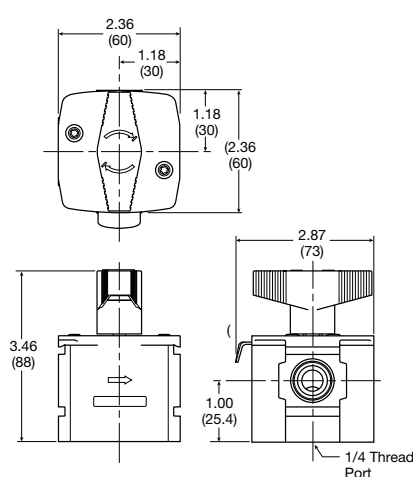
Body	Aluminum
Seals	PTFE
Ball	Stainless Steel
Lockout Tab	Zinc Plated Steel
Screw	Zinc Plated Steel

Dimensions inches (mm)

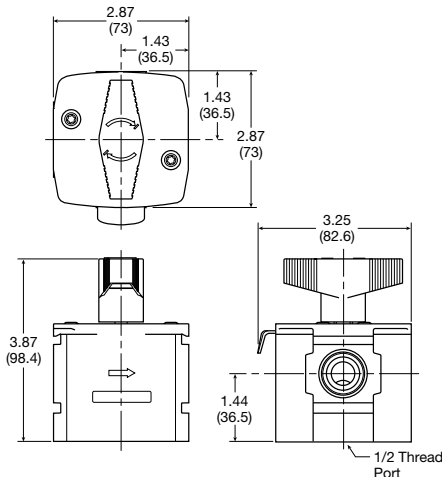
P31



P32



P33



Most popular.

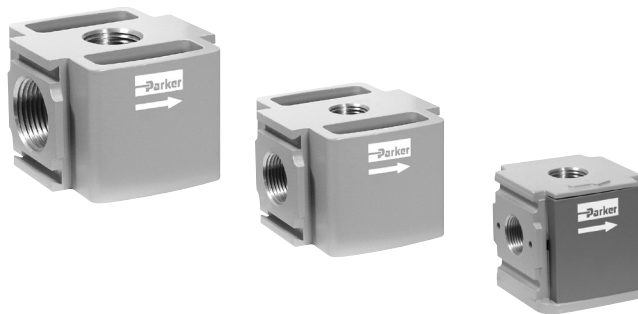
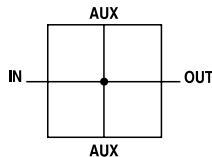


For inventory, lead times, and kit lookup, visit www.pdnplu.com

B
 Global Air Preparation
 Introduction
 Filters
 Coalescers
 Regulators
 Filter / Regulators
 Lubricators
 Combinations
 Accessories and Kits

Manifold Blocks

- Available in 1/4" or 3/4" threaded inlet / outlet ports
- Two additional top and bottom auxiliary ports standard
- Can be mounted anywhere in the FRL system



Ordering Information

Model Type	In / Out Port Size	Auxiliary Port Size Top	Auxiliary Port Size Bottom	Thread Type	Part Number
P31	1/4"	1/4"	1/4"	NPT	P31MA92022N
P32	1/2"	1/4"	1/2"	NPT	P32MA94024N
P33	3/4"	1/4"	1/2"	NPT	P33MA96024N

For thread type: BSPP **1**
BSPT **2**
NPT **9**

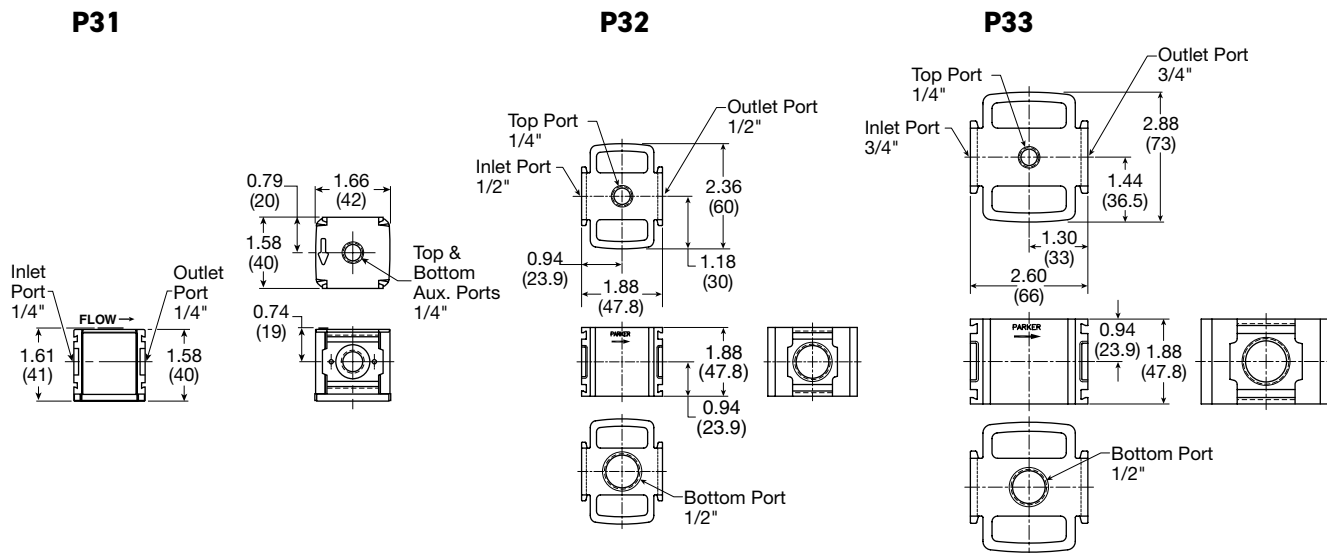
Operating information

Operating temperature:	-40°F to 150°F (-40°C to 65.5°C)
Pressure supply (max):	300 psig (20.7 bar)
Weight:	P31 0.26 lbs (0.12 kg)
	P32 0.45 lbs (0.20 kg)
	P33 0.45 lbs (0.20 kg)

Material Specifications

Body Aluminum

Dimensions inches (mm)



Most popular.



For inventory, lead times, and kit lookup, visit www.pdnplu.com

B75

Parker Hannifin Corporation
Pneumatic Division
Richland, Michigan
www.parker.com/pneumatics

B
Global Air Preparation

Introduction

Filters

Coalescers

Regulators

Filter / Regulators

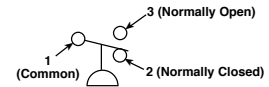
Lubricators

Combinations

Accessories and Kits

PPS1 Pressure Switch

- Long life elastomer diaphragm
- High quality snap action switch
- Field adjustable
- Compact design
- Easily customized
- Quick delivery
- NEMA 4, 13



Definitions and Terminology

Repeatability — Accuracy is the maximum allowable set point deviation of a single pressure or temperature switch under one given set of environmental and operational conditions.

Single Pole Double Throw (SPDT) Switching element — A SPDT switching element has one normally open, one normally closed and one common terminal. Three terminals mean that the switch can be wired with the circuit either normally open (NO), or normally closed (NC), or both.

Dead Band — The dead band, sometimes referred to as “differential” or “hysteresis”, is the change in pressure between actuation and deactuation set points.

Operating information

Temperature range:	-40°F to 105°F (-40°C to 220°C)
Operating pressure range:	1, 2, 3 - 250 PSI (17.2 bar) 4 - 2000 PSI (137.9 bar)
Set point tolerance	± 1 PSI or 5% (.07 bar)
Deadband	10 - 20% of set pressure
Current rating	3A @ 125 VAC 2A @ 30 VDC (Resistive)
Circuit form	SPDT Standard
Cycle life	1 Million

Ordering Information:

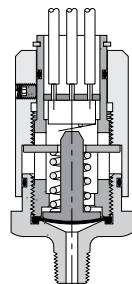
PPS1	-	1	C	3	-	R	HM																				
		<table border="1"> <thead> <tr><th>Thread</th><th></th></tr> </thead> <tbody> <tr><td>1/4" NPT Male</td><td>1</td></tr> <tr><td>1/8" NPT Male</td><td>2</td></tr> <tr><td>1/4" BSPP Male</td><td>17</td></tr> <tr><td>1/8" BSPP Male</td><td>18</td></tr> </tbody> </table>		Thread		1/4" NPT Male	1	1/8" NPT Male	2	1/4" BSPP Male	17	1/8" BSPP Male	18	<table border="1"> <thead> <tr><th>Set Point Direction</th><th></th></tr> </thead> <tbody> <tr><td>R</td><td>Rising</td></tr> </tbody> </table>		Set Point Direction		R	Rising	<table border="1"> <thead> <tr><th>Electrical Connection</th><th></th></tr> </thead> <tbody> <tr><td>HM</td><td>DIN 9.4mm</td></tr> <tr><td>WL</td><td>Wire Leads 18"</td></tr> </tbody> </table>		Electrical Connection		HM	DIN 9.4mm	WL	Wire Leads 18"
Thread																											
1/4" NPT Male	1																										
1/8" NPT Male	2																										
1/4" BSPP Male	17																										
1/8" BSPP Male	18																										
Set Point Direction																											
R	Rising																										
Electrical Connection																											
HM	DIN 9.4mm																										
WL	Wire Leads 18"																										
		<table border="1"> <thead> <tr><th>Circuit</th><th></th></tr> </thead> <tbody> <tr><td>SPDT</td><td>C</td></tr> </tbody> </table>		Circuit		SPDT	C	<table border="1"> <thead> <tr><th>Range*</th><th></th></tr> </thead> <tbody> <tr><td>1</td><td>3-10 PSI</td></tr> <tr><td>2</td><td>6-30 PSI</td></tr> <tr><td>3</td><td>20-120 PSI</td></tr> <tr><td>4†</td><td>100-400 PSI</td></tr> </tbody> </table>		Range*		1	3-10 PSI	2	6-30 PSI	3	20-120 PSI	4†	100-400 PSI	<p>* Factory setting for calibration purposes Range 1 = 6 PSI Range 2 = 18 PSI Range 3 = 70 PSI Range 4 = 250 PSI</p>							
Circuit																											
SPDT	C																										
Range*																											
1	3-10 PSI																										
2	6-30 PSI																										
3	20-120 PSI																										
4†	100-400 PSI																										
		<p>Note: Switch is field adjustable.</p>		<p>† Only available in 1/4" NPT</p>																							

Material Specifications

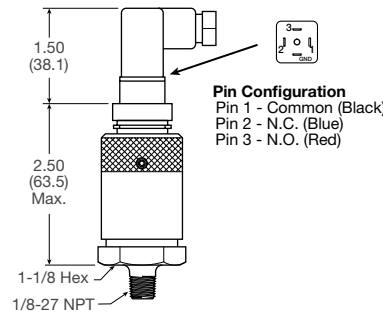
Adjustment knob	Anodized aluminum
Body	Brass
Diaphragm	Nitrile

Operation

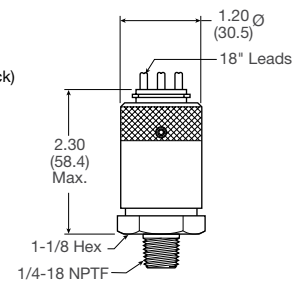
The pressure switch monitors the air pressure in your pneumatic system. When the pressure in your system either drops below or exceeds the set point pressure, an electrical output is given.



Top View DIN

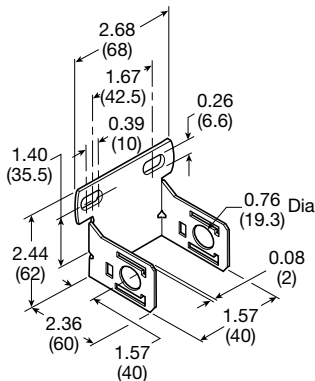
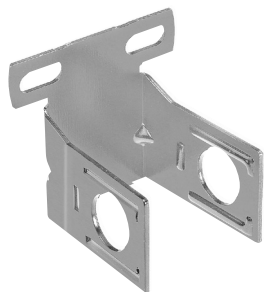


Wire Configuration
 Pin 1 - Common (Black)
 Pin 2 - N.C. (Blue)
 Pin 3 - N.O. (Red)

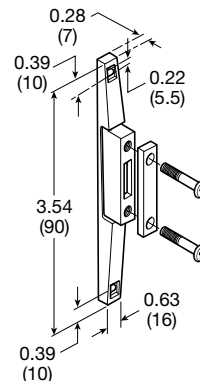


P31 Accessories

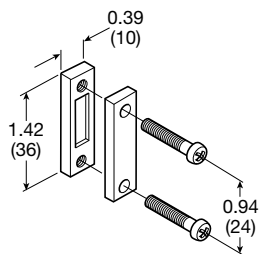
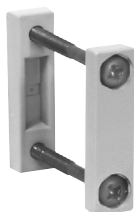
C-Bracket
(Fits to filter and lubricator body)
P31KA00MW



T-Bracket w/ Body Connector
(O-ring not shown)
P31KA00MT



Body Connector
(O-ring not shown)
P31KA00CB



Port Block Kit
(O-ring not shown)

- | | | | |
|----------------|------------------|----------------|------------------|
| 1/8 NPT | P31KA91CP | 1/8 BSPT | P31KA21CP |
| 1/4 NPT | P31KA92CP | 1/4 BSPT | P31KA22CP |
| 3/8 NPT | P31KA93CP | 3/8 BSPT | P31KA23CP |
| 1/8 BSPP | P31KA11CP | | |
| 1/4 BSPP | P31KA12CP | | |
| 3/8 BSPP | P31KA13CP | | |

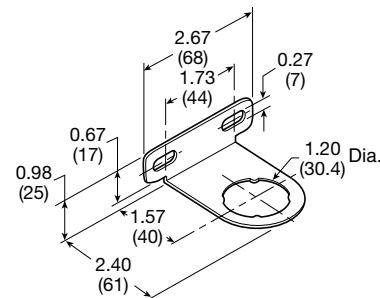


Port Block Kit w/ T-Bracket
(O-ring not shown)

- | | | | |
|----------------|------------------|----------------|------------------|
| 1/8 NPT | P31KA91CN | 1/8 BSPT | P31KA21CN |
| 1/4 NPT | P31KA92CN | 1/4 BSPT | P31KA22CN |
| 3/8 NPT | P31KA93CN | 3/8 BSPT | P31KA23CN |
| 1/8 BSPP | P31KA11CN | | |
| 1/4 BSPP | P31KA12CN | | |
| 3/8 BSPP | P31KA13CN | | |



Angle Bracket
(Fits to regulator and filter/regulator body)
P31KB00MR

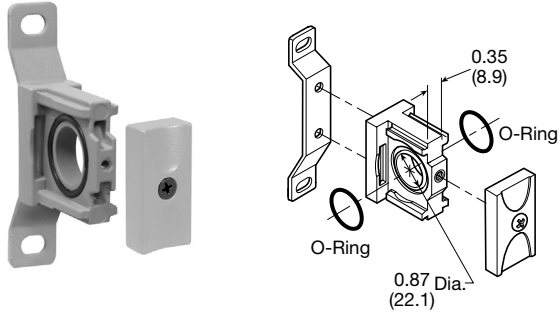


B
Global Air Preparation
Introduction
Filters
Coalescers
Regulators
Filter / Regulators
Lubricators
Combinations
Accessories and Kits

P32 Accessories

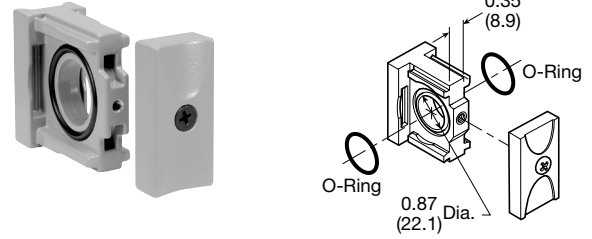
T-Bracket w/ Body Connector

P32KA00MT



Body Connector

P32KA00CB



Port Block Kit

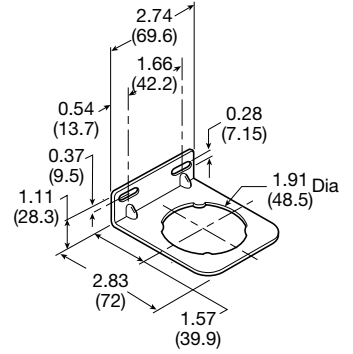
1/4 NPT	P32KA92CP	1/4 BSPT	P32KA22CP
3/8 NPT	P32KA93CP	3/8 BSPT	P32KA23CP
1/2 NPT	P32KA94CP	1/2 BSPT	P32KA24CP
3/4 NPT	P32KA96CP	3/4 BSPT	P32KA26CP
1/4 BSPP	P32KA12CP		
3/8 BSPP	P32KA13CP		
1/2 BSPP	P32KA14CP		
3/4 BSPP	P32KA16CP		



Angle Bracket

(Fits to regulator and filter/regulator bonnet)

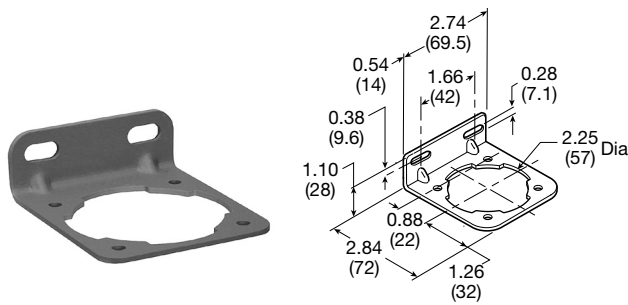
P32KB00MR



L-Bracket

(Fits to filter and lubricator body)

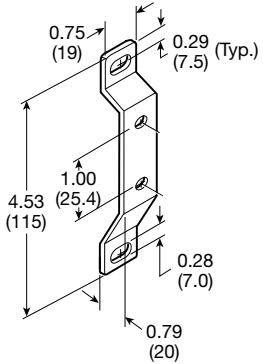
P32KA00ML



T-Bracket

(fits to body connector or port block)

P32KA00MB



B

Global Air
Preparation

Introduction

Filters

Coalescers

Regulators

Filter /
Regulators

Lubricators

Combinations

Accessories
and Kits

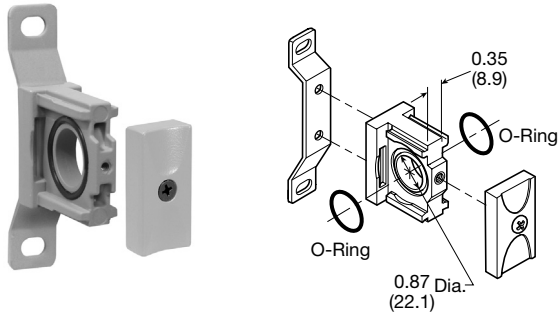


For inventory, lead times, and kit lookup, visit www.pdnplu.com

P33 Accessories

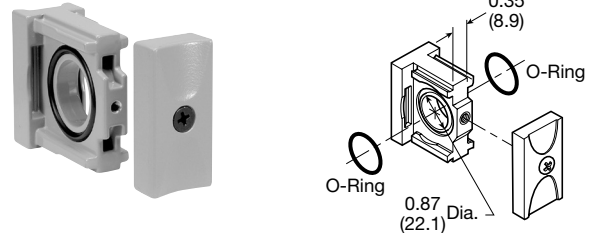
T-Bracket w/ Body Connector

P32KA00MT



Body Connector

P32KA00CB



Port Block Kit

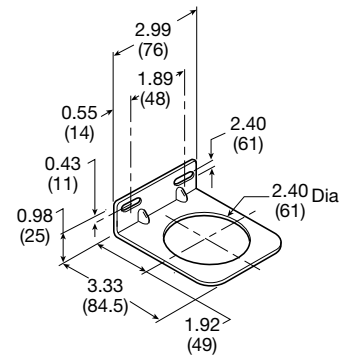
- | | | | |
|----------------|------------------|----------------|------------------|
| 1/4 NPT | P32KA92CP | 1/4 BSPT | P32KA22CP |
| 3/8 NPT | P32KA93CP | 3/8 BSPT | P32KA23CP |
| 1/2 NPT | P32KA94CP | 1/2 BSPT | P32KA24CP |
| 3/4 NPT | P32KA96CP | 3/4 BSPT | P32KA26CP |
| 1/4 BSPP | P32KA12CP | | |
| 3/8 BSPP | P32KA13CP | | |
| 1/2 BSPP | P32KA14CP | | |
| 3/4 BSPP | P32KA16CP | | |



Angle Bracket

(Fits to regulator and filter/regulator bonnet)

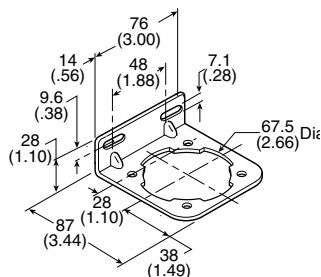
P33KA00MR



L-Bracket

(Fits to filter and lubricator body)

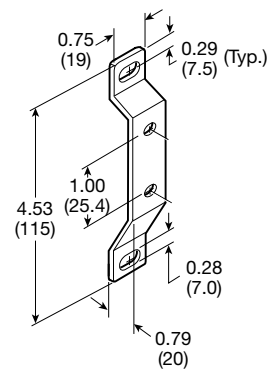
P33KA00ML



T-Bracket

(fits to body connector or port block)

P32KA00MB



B

Global Air Preparation

Introduction

Filters

Coalescers

Regulators

Filter / Regulators

Lubricators

Combinations









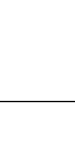
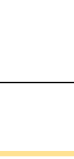
Accessories and Kits

B
Global Air Preparation
Introduction
Filters
Coalescers
Regulators
Filter / Regulators
Lubricators
Combinations
Accessories and Kits

Series	Description	Part number	
P31 P32 P33	Panel Mount Nut (Plastic)	P31KA00MP P32KA00MP P33KA00MP	
P31 P32 P33	Panel Mount Nut (Aluminum)	P31KA00MM P32KA00MM P33KA00MM	
P31 P32 P33	5µ Element Kit	P31KA00ESE P32KA00ESE P33KA00ESE	
P31 P32 P33	1µ Element Kit	P31KA00ES9 P32KA00ES9 P33KA00ES9	
P31 P32 P33	0.01µ Element Kit	P31KA00ESC P32KA00ESC P33KA00ESC	
P31 P32 P33	Adsorber Element Kit	P31KA00ESA P32KA00ESA P33KA00ESA	
P32 / P33	Auto Drain Kit	P32KA00DA	
P31 P32 / P33	Differential Pressure Indicator Kit	P31KB00RQ P32KA00RQ	
P31 / P32 / P33	Drip Control Assembly Kit - Nylon Drip Control Assembly Kit - Polycarbonate	P32KA00PH P32KA00PG	
P31 P32 / P33	Fill Plug Kit	P31KA00PL P32KA00PL	
P31 P32 P33	Lubricator - Plastic Bowl w/ Bowl Guard No Drain	P31KB00BGN P32KB00BGN P33KA00BGN	



For inventory, lead times, and kit lookup, visit www.pdnplu.com

Series	Description	Part number	
P31 P32 P33	Lubricator - Metal Bowl w/o Sight Gauge No Drain	P31KB00BMN P32KB00BMN P33KA00BMN	
P32 P33	Lubricator - Metal Bowl w/ Sight Gauge No Drain	P32KB00BSN P33KA00BSN	
P31 P32 P33	Metal Bowl w/o Sight Gauge & Manual Drain	P31KB00BMM P32KB00BMM P33KA00BMM	
P31	Metal Bowl w/o Sight Gauge & Pulse Drain	P31KB00BMB	
P32 P33	Metal Bowl w/o Sight Gauge & Auto Drain	P32KB00BMA P33KA00BMA	
P32 P33	Metal Bowl w/ Sight Gauge & Manual Drain	P32KB00BSM P33KA00BSM	
P32 P33	Metal Bowl w/ Sight Gauge & Auto Drain	P32KB00BSA P33KA00BSA	
P31 P32 P33	Plastic Bowl w/ Bowl Guard & Manual Drain	P31KB00BGM P32KB00BGM P33KA00BGM	
P31	Plastic Bowl w/ Bowl Guard & Pulse Drain	P31KB00BGB	
P32 P33	Plastic Bowl w/ Bowl Guard & Auto Drain	P32KB00BGA P33KA00BGA	
P32 P33	Regulator - Relieving Repair Kit	P32KB00RB P33KA00RB	
P32 P33	Regulator - Non-Relieving Repair Kit	P32KB00RC P33KA00RC	

B

Global Air
Preparation

Introduction

Filters

Coalescers

Regulators

Filter /
Regulators

Lubricators

Combinations

Accessories
and Kits

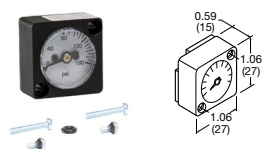
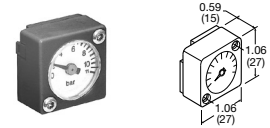
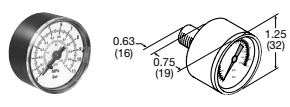
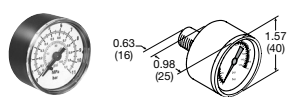
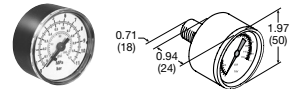





For inventory, lead times, and kit lookup, visit www.pdnplu.com

Air Preparation Products Global Air Preparation

Accessories

B
Global Air Preparation
Introduction
Filters
Coalescers
Regulators
Filter / Regulators
Lubricators
Combinations
Accessories and Kits

Series	Description	Connection	Part number	
P32 P33	Regulator - Main Adjusting Spring 0-30 psig (0-2 bar) Kit		P32KB00PR P33KA00PR	
P32 P33	Regulator - Main Adjusting Spring 0-60 psig (0-4.1 bar) Kit		P32KB00PS P33KA00PS	
P32 P33	Regulator - Main Adjusting Spring 0-125 psig (0-8.6 bar) Kit		P32KB00PT P33KA00PT	
P32 P33	Regulator - Main Adjusting Spring 0-250 psig (0-17 bar) Kit		P32KB00PV P33KA00PV	
P31	Square Gauge	0-60 psig 0-160 psig 0-290 psig 0-4 bar 0-11 bar 0-20 bar 0-0.4 MPa 0-1.1 MPa 0-2.0 MPa	P31KA060XB P31KA160KB P31KA290XB P31KA04BXB P31KA11BXB P31KA20BXB P31KA04MXB P31KA11MXB P31KA20MXB	
P31	Square Flush Mounting Gauge Kit	0-60 psig 0-160 psig 0-4 bar 0-11 bar	K4511SCR060 K4511SCR160 K4511SCR04B K4511SCR11B	
P31 / P32	Square Mounting Gauge with Adapter Kit	0-60 psig 0-160 psig 0-4 bar 0-11 bar	P6G-PR90060 P6G-PR90160 P6G-PR10040 P6G-PR10110	
P31	1" Round Gauge	0-60 psig / 0-4.1 bar 1/8" 0-160 psig / 0-10 bar 1/8"	K4510N18060 K4510N18160	
P31	40mm Round Gauge	0-30 psig / 0-2 bar 1/8" 0-60 psig / 0-4.1 bar 1/8" 0-160 psig / 0-10 bar 1/8"	K4515N18030 K4515N18060 K4515N18160	
P32 / P33	50mm Round Gauge	0-30 psig / 0-2 bar 1/4" 0-60 psig / 0-4.1 bar 1/4" 0-160 psig / 0-10 bar 1/4" 0-300 psig / 0-20 bar 1/4"	K4520N14030 K4520N14060 K4520N14160 K4520N14300	
P31 P32 / P33	Body Connector O-ring (Replacement kit) (Pack of 10)		P31KA00CY P32KA00CY	
P31 P32	Tamperproof Knob Kit		P31KB00AT P32KB00AT	
P31 P32	Tamperproof Lockable Kit		P31KB00AL P32KB00AL	



For inventory, lead times, and kit lookup, visit www.pdnplu.com

Solenoid Operators - CNOMO

Solenoid operators, coil combinations

	NC Normal Operator with 22 x 30 standard coil	NC Normal Operator with 30 x 30 standard coil
Working pressure	0 to 10 bar	0 to 10 bar
Ambient temperature	-10°C to 60°C *	-10°C to 60°C *
Power (DC)	4.8W	2.7W
Power (AC)	8.5VA	4.9VA
Voltage tolerance	+/- 10%	+/- 10%
Duty cycle	100%	100%
Insulation class	F	F
Electric connection	B Industrial	DIN 43650A
Protection	IP65	IP65
Approval		UL/CSA
Working media	All neutral media such as compressed air	

* Limited to 50°C if use with 100% duty cycle

Transients

Interrupting the current through the solenoid coil produces momentary voltage peaks which, under unfavorable conditions, can amount to several hundred times the rated operating voltage. Normally, these transients do not cause problems, but to achieve the Maximum life of relays in the circuit (and particularly of transistors, thyristors and integrated circuits) it is desirable to provide protection by means of voltage-dependent resistors (varistors). All connectors/cable plugs EN175301-803 with LED's include this type of circuit protection.

Materials

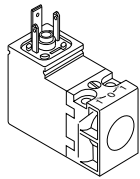
Pilot Valve

Body:	Polyamide
Armature tube:	Brass
Plunger & core:	Corrosion resistant Cr-Ni steel
Seals:	Fluorocarbon
Screws:	Stainless steel

Coil

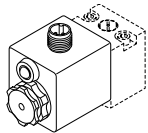
Encapsulation material:	Thermoplastic as standard Duroplast for M12 connection
-------------------------	---

P31 Series only - Solenoid coils 15mm NC



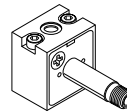
Voltage	Order code Override, blue, non-locking flush	Weight (kg)
24VDC	PS2982B49P	0.038
115VAC 50Hz / 120VAC 60Hz	PS2982B53P	0.038

Solenoid Coils with M12 Connection



Voltage	Part number	Weight (kg)
Direct current		
24VDC	P2FC6449	0.065

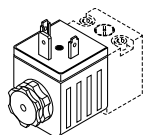
Spare Base Solenoid Pilot Operator CNOMO NC



Description	Part number non-lock manual override	Weight (kg)
Standard Duty	P2FP23N4B	0.065
No Override	P2FP23N4A	0.065

Note: Solenoid pilot operators are fitted to the Global range. Order the above part numbers for spares. The operators are supplied with mounting screws and interface 'O' rings. Coils and connectors must be ordered separately.

Solenoid Coils with DIN A or Industrial B Connection



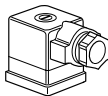
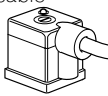
Voltage	22mm x 30mm Part number B industrial standard	Weight (kg)	30mm x 30mm Part number DIN 43650A standard	Weight (kg)
Direct current				
24VDC	P2FCB449	0.093	P2FCA449	0.105
Alternative current				
110V 50Hz, 120V 60Hz	P2FCB453	0.093	P2FCA453	0.105

Most popular.

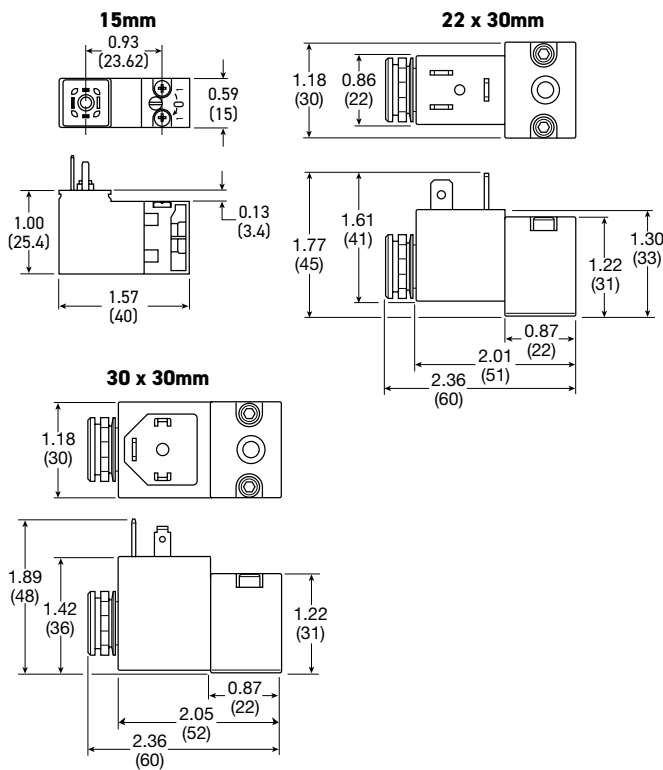


For inventory, lead times, and kit lookup, visit www.pdnplu.com

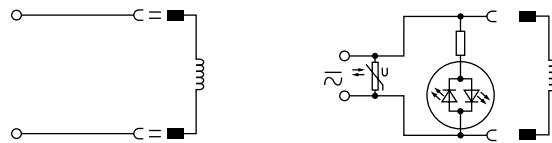
Solenoid Connectors / Cable Plugs EN175301-803

	Description	Part number 22mm Form B Industrial	Part number 30mm Form A DIN 43650A
	With standard screw	PS2429BP	PS2028BP
	With LED and protection 24VAC/DC	PS243079BP	PS203279BP
	With LED and protection 110VAC	PS243083BP	PS203283BP
	With cable	PS2429JBP	PS2028JCP
	24VAC/DC, 2m cable LED and protection IP65	PS2430J79BP	PS2032J79CP
	110VAC/DC, 2m cable LED and protection IP65	PS2430J83BP	PS2032J83CP

Solenoid coil dimensions inches (mm)

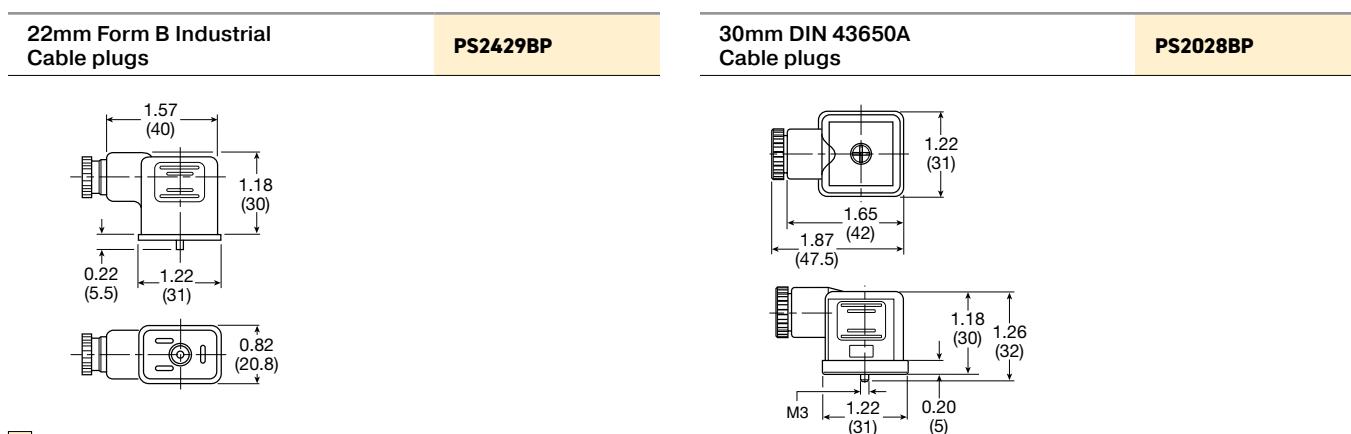


Electrical schematics



PS2028BP	PS243079BP	PS203279BP
PS2028JBP	PS2430J79BP	PS2032J79CP
PS2429BP	PS243083BP	PS203283BP
PS2429JBP	PS2430J83BP	PS2032J83CP
PS2932BP	PS294679BP	PS294683BP
PS2932JBP	PS2946J79BP	PS2946J83BP

Cable plug dimensions inches (mm)



Most popular.



For inventory, lead times, and kit lookup, visit www.pdnplu.com



Air Preparation Products
P3Y Series

Introduction	C3
Particulate Filters	C4-C5
Coalescing Filters	C6-C7
Regulators	C8-C11
Proportional Pressure Regulator	C12-C13
Filter / Regulators	C14-C15
Lubricators	C16-C17
Combinations	C18-C19
Soft Start / Dump Valves	C20-C21
Accessories	C22-C26



P3Y Products





P3Y Products



For inventory, lead times, and kit lookup, visit www.pdnplu.com

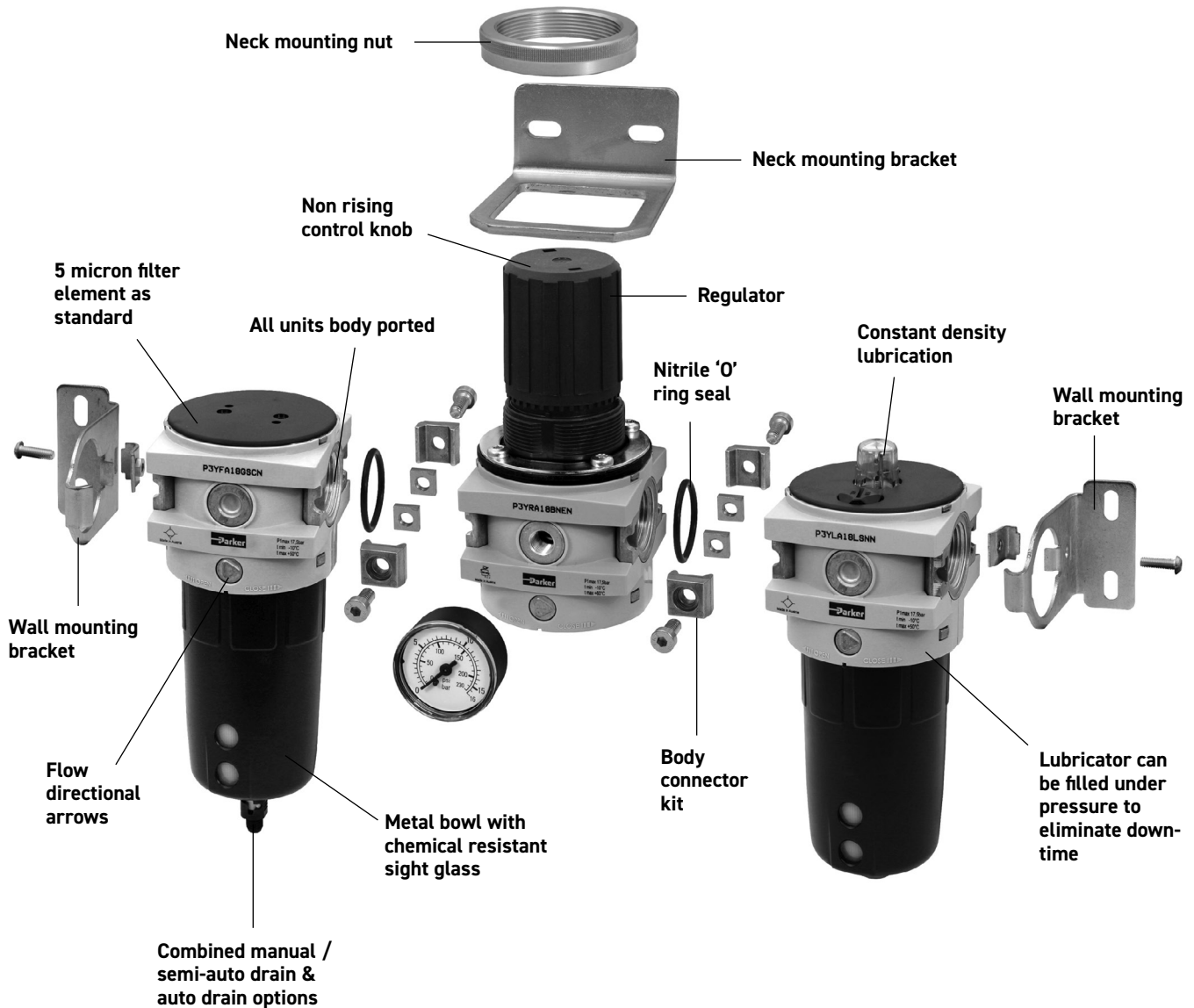
P3Y System

The P3Y system allows units to be connected together without the use of pipe connectors. This saves space, provides constant mounting centers, and maintains a modern aesthetically pleasing appearance.

The P3Y filters are specially designed to efficiently filter out rust, dirt, moisture and other impurities from compressed air lines. Operation is fully automatic with a minimum of pressure drop. Coalescing filters and adsorber filters for high purity air are also included in the P3Y series.

The P3Y regulators are designed to provide quick response and accurate pressure regulation for the most demanding hi-flow industrial applications.

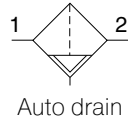
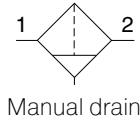
The rolling diaphragm was designed for long trouble-free operation and will not rupture or tear under high cycle or demanding applications. The P3Y mist lubricators are designed to provide lubrication for many general purpose applications.



C
P3Y Products

P3Y Particulate Filter

- Integral 3/4" or 1" ports (NPT & BSPP)
- High efficiency particulate element as standard
- Excellent water removal efficiency
- Robust but lightweight aluminium construction
- Low temperature -40°C (-40°F) with combined manual / semi-auto drain as standard



Port Size	Description	Part Number
3/4"	Combined Manual /Semi-Auto Drain	P3YFA96ESCN
3/4"	Auto Drain	P3YFA96ESAN
1"	Combined Manual /Semi Auto Drain	P3YFA98ESCN
1"	Auto Drain	P3YFA98ESAN

Operating information

Supply pressure (max)*:	254 psig (17.5 bar)
Operating temperature:	
Auto drain	14°F to 140°F (-10°C to 60°C)
Combined drain	-40°F to 140°F (-40°C to 60°C)
Standard filtration	5 micron
Manual / semi-auto drain:	Closed at 11.6 psig (0.8 bar)
	G1/8 thread male
Auto drain bowl pressure:	Closed at 11.6 psig (0.8 bar)
Bowl capacity:	4.4 US oz. (130 cm ³)
Standard filtration:	5 micron
Flow capacity†:	3/4" 170 scfm (80.2 dm ³ /s, ANR)
	1" 170 scfm (80.2 dm ³ /s, ANR)
Fluid:	Compressed air
Weight:	1.98 lb (0.9 kg)
† Inlet pressure 91.4 psig (6.3 bar) inlet pressure and 7.3 psig (0.5 bar) pressure drop.	
* Air supply must be dry enough to avoid ice formation at temperatures below 35.6°F (2°C).	

Air quality:

Within ISO 8573-1: 1991 Class 3 and 5 (Particulates)
 Within ISO 8573-1: 2001 Class 6 and 7 (Particulates)

Ordering Information:

P3YFA	9	6	E	SC	N
Basic Series	Thread Type*	Port Size	Element	Drain Type	
Filter P3YFA	BSPP 1 NPT 9	3/4 6 1 8	E 5 Micron	SC Combined Manual / Semi-Auto Drain	
				SA Auto Drain	

* **Note:** For 1-1/2" ported unit, please order P3YKA*BCP port block kit separately.

Most popular.



For inventory, lead times, and kit lookup, visit www.pdnplu.com

Material specifications

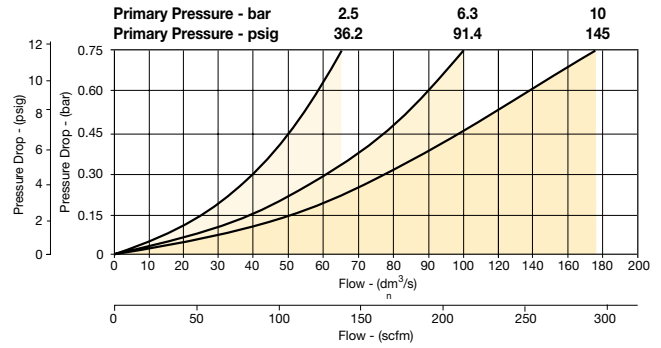
Body	Aluminium
Sight glass and bowl	Polypropylene
Body cover	ABS
Element	Sintered P.E.
Seals	Nitrile NBR
Manual / semi-auto drain	Acetal
Automatic drain	PA / Ø 10mm brass connection

Repair and Service Kits

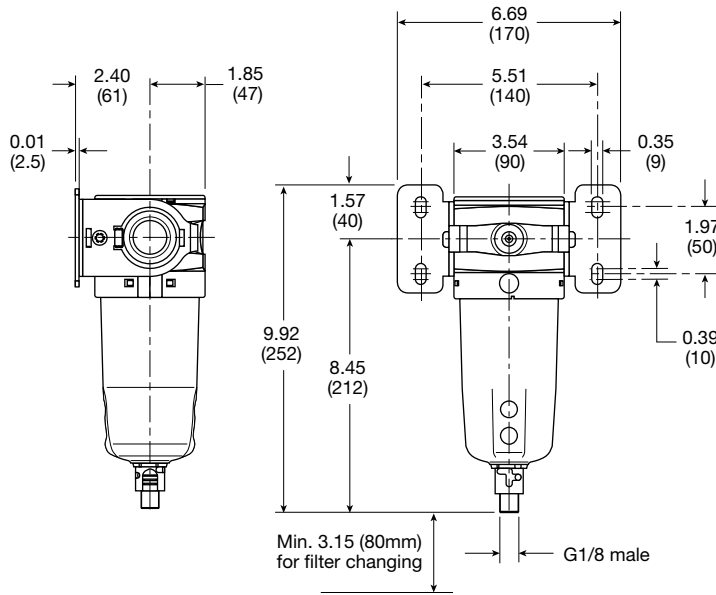
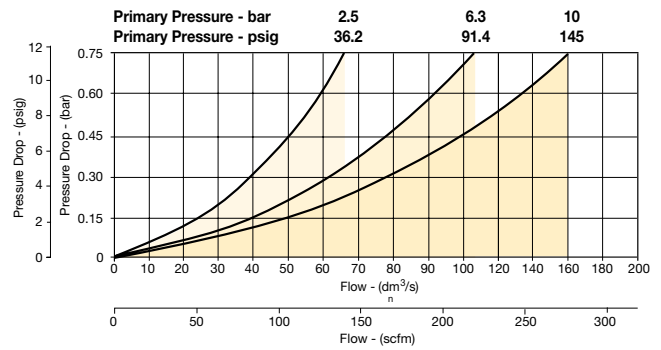
5 micron element kit	P3YKA00ESE
40 micron element kit	P3YKA00ESG
Bowl kit with combined manual / semi auto drain	P3YKA00BSC
Bowl kit with auto drain	P3YKA00BSA

Flow characteristics

(3/4") Filter



(1") Filter



Inches (mm)

C

P3Y Products

Filters

Coalescers

Regulators

Filter / Regulators

Lubricators

Combinations

Accessories and Kits



For inventory, lead times, and kit lookup, visit www.pdnplu.com

P3Y Coalescing Filter

- Extended high efficiency filter element provides greater filtration surface area.
- Integral 3/4" or 1" ports (BSPP & NPT)
- Removes liquid aerosols and sub micron particles
- Oil free air for critical applications, such as air gauging, pneumatic instrumentation and control
- Adsorber activated carbon element removes oil vapors and most hydrocarbons
- Robust but lightweight aluminum construction



Notes: To optimize the life of the coalescing element, it is advisable to install a P3YFA pre-filter with a 5 micron element upstream of the coalescing filter.

To optimize the life of the adsorber element, it is advisable to install a P3Y coalescing 0.01 micron filter upstream of the adsorber filter.

Operating information

Supply pressure (max)*:	254 psig (17.5 bar)
Operating temperature:	14°F to 140°F (-10°C to 60°C)
Manual / auto drain:	Closed at 11.6 psig (0.8 bar) G1/8 thread male
Media specifications:	
Adsorber, max oil carryover	0.008 mg/m ³ (PPM w/w)
Bowl capacity:	4.4 US oz. (130 cm ³)
Standard filtration:	0.01 micron
Flow capacity†:	3/4" 275 scfm (176.9 dm ³ /s, ANR) 1" 307 scfm (144.8 dm ³ /s, ANR)
Fluid:	Compressed air
Weight:	3.5 lb (1.6 kg)

† Inlet pressure 91.4 psig (6.3 bar) inlet pressure and 7.3 psig (0.5 bar) pressure.

* Air supply must be dry enough to avoid ice formation at temperatures below 35.6°F (2°C).

Port Size	Description	Part Number
3/4"	Coalescing Filter 0.01 Micron, Combined Manual / Semi-Auto Drain	P3YFA96DSCN
3/4"	Coalescing Filter 0.01 Micron, Auto Drain	P3YFA96DSAN
1"	Coalescing Filter 0.01 Micron, Combined Manual / Semi-Auto Drain	P3YFA98DSCN
1"	Coalescing Filter 0.01 Micron, Auto Drain	P3YFA98DSAN

Ordering Information:

P3YFA		9	6	D	SC	N			
Basic Series		Thread Type*		Port Size		Element		Drain Type	
Coalescing Filter	P3YFA	BSPP	1	3/4	6	D	0.01 Micron Element with DPI Standard	SC	Combined Manual / Semi Auto Drain
		NPT	9	1	8	A	Adsorber	SA	Auto Drain

* **Note:** For 1-1/2" ported unit, please order P3YKA*BCP port block kit separately.

Most popular.



For inventory, lead times, and kit lookup, visit www.pdnplu.com

Material specifications

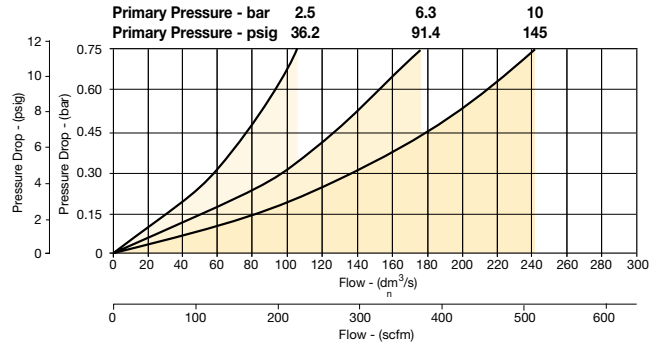
Body	Aluminium
Sight glass and bowl	Polypropylene
Filter cover	ABS
Coalescing element	Borosilicate & nano fibers
Top & bottom end cap (coalescing)	Aluminium
Adsorber element	Activated carbon
Top & bottom end cap (adsorber)	Glass filled nylon
Support cylinders	Grade 430 stainless steel
Support media	Polypropylene
Anti re-entrainment barrier	Polyester
Encapsulation	Epoxy resin / hardener
Seals	Nitrile NBR
Manual / semi-auto drain	Acetal
Auto drain	PA / Ø 10mm brass connection
Differential pressure indicator, body	Acetal
Differential pressure indicator, internal parts	Acetal
Differential pressure indicator, spring	Stainless steel
Differential pressure indicator, seals	Nitrile NBR
Differential pressure indicator, support plate	ABS
Differential pressure indicator, screws	Steel / zinc plated

Repair and Service Kits

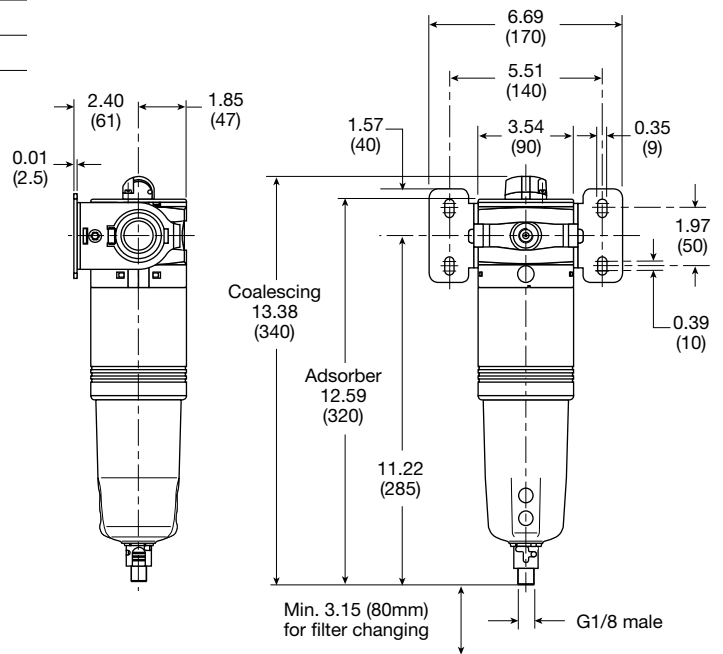
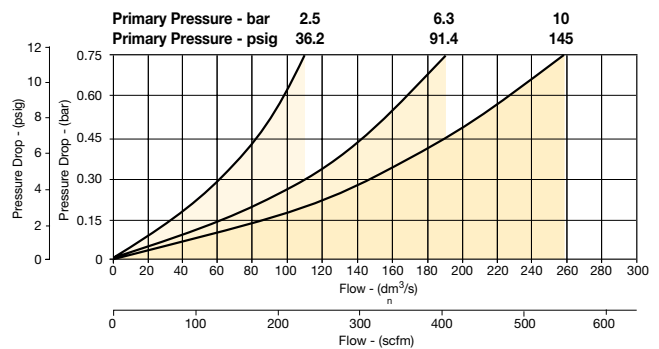
0.01 micron element kit	P3YKA00ESC
Adsorber element kit	P3YKA00ESA
Bowl kit with combined manual / semi auto drain	P3YKA00BSC
Bowl kit with auto drain	P3YKA00BSA
Differential pressure indicator kit	P3YKA00RQ

Flow characteristics

(3/4") 0.01 Micron Coalescing Filter Saturated



(1") 0.01 Micron Coalescing Filter Saturated



Inches (mm)



P3Y Products

Filters

Coalescers

Regulators

Filter / Regulators

Lubricators

Combinations

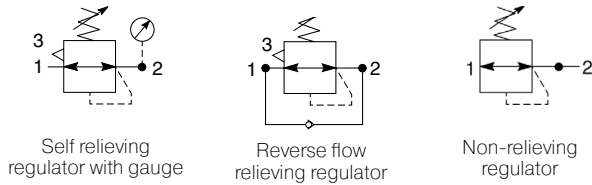
Accessories and Kits



For inventory, lead times, and kit lookup, visit www.pdnplu.com

P3Y Regulators

- Integral 3/4" or 1" ports (BSPP and NPT)
- Robust but lightweight aluminium construction
- Secondary pressure ranges 12 and 16 bar
- Rolling diaphragm for extended life
- Secondary aspiration plus rolling diaphragm provides quick response and accurate pressure regulation
- Optional tamperproof regulator padlock
- Reverse flow / relieving option
- Low temperature -40°C (-40°F)



Operating information

Supply pressure (max)*:	254 psig (17.5 bar)
Operating temperature:	-40°F to 140°F (-40°C to 60°C)
Flow capacity†:	3/4" 380 scfm (179.3 dm³/s, ANR) 1" 550 scfm (259.6 dm³/s, ANR)
Fluid:	Compressed air
Gauge port (x2):	1/4"
Weight:	2.4 lb (1.08 kg)

† Inlet pressure 145 psig (10 bar) inlet pressure, 91.4 psig (6.3 bar) set pressure and 7.3 psig (0.5 bar) pressure drop.
 * Air supply must be dry enough to avoid ice formation at temperatures below 35.6°F (2°C).

Port Size	Description	Part Number
3/4"	174 psig Relieving	P3YRA96BNEN
3/4"	174 psig Relieving + Pressure Gauge	P3YRA96BNFN
1"	174 psig Relieving	P3YRA98BNEN
1"	174 psig Relieving + Pressure Gauge	P3YRA98BNFN

Ordering Information

P3YRA		9	6	B	N	E	N
Basic Series	Thread Type*	Port Size	Relief		Lockable		Adjustment Range
Regulator P3YRA	BSPP 1 NPT 9	3/4 6 1 8	B Relieving R Reverse Flow / Relieving	N Standard A† Lockable	E 0 to 174 psi (0 to 12 bar), No Gauge H 0 to 232 psi (0 to 16 bar), No Gauge F 0 to 174 psi (0 to 12 bar), Gauge J 0 to 232 psi (0 to 16 bar), Gauge		

Notes:
 * For 1-1/2" ported unit, please order P3YKA*BCP port block kit separately.
 † Not field convertible.

Most popular.



For inventory, lead times, and kit lookup, visit www.pdnplu.com

C
 P3Y Products
 Filters
 Coalescers
 Regulators
 Filter / Regulators
 Lubricators
 Combinations
 Accessories and Kits

Regulators

Material specifications

Body	Aluminium
Bonnet	Glass filled polyamide
Regulator cover	ABS
Control knob	Glass filled polyamide
Valve	Brass / NBR
Seals	Nitrile NBR
Screws	Steel / zinc plated

Repair and Service Kits

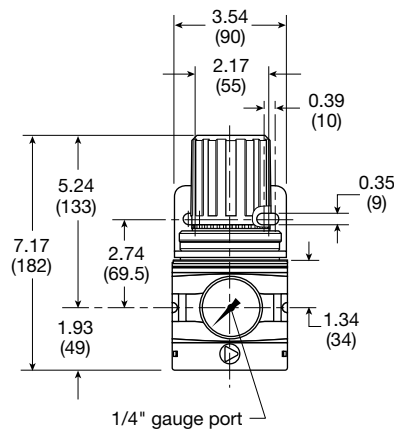
Angle bracket + metal lock ring	P3YKA00MS
Panel mounting nut	P3YKA00MM
Diaphragm kit (relieving type)	P3YKA00RR
Diaphragm kit (non-relieving type)	P3YKA00RN
0 to 160 psig (0 to 10 bar), gauge 1/4" port	K4520N14160
0 to 300 psig (0 to 20 bar), gauge 1/4" port	K4520N14300

WARNING

Product rupture can cause serious injury. Do not connect regulator to bottled gas. Do not exceed Maximum primary pressure rating.

CAUTION:

REGULATOR PRESSURE ADJUSTMENT – The working range of knob adjustment is designed to permit outlet pressures within their full range. Pressure adjustment beyond this range is also possible because the knob is not a limiting device. This is a common characteristic of most industrial regulators, and limiting devices may be obtained only by special design. For best performance, regulated pressure should always be set by increasing the pressure up to the desired setting.



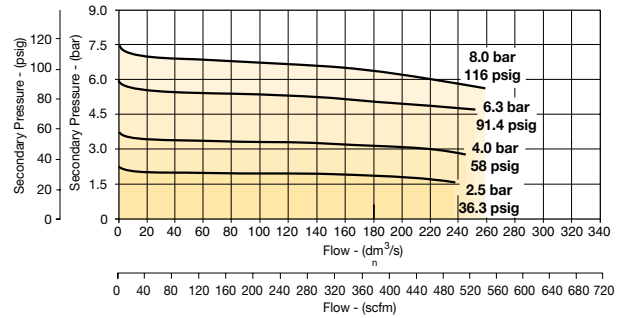
Inches (mm)

Air Preparation Products

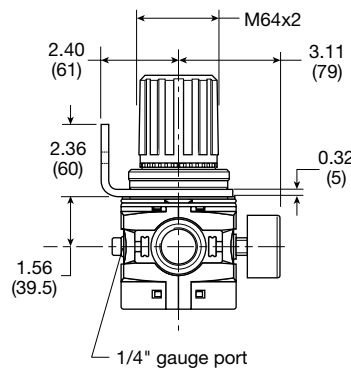
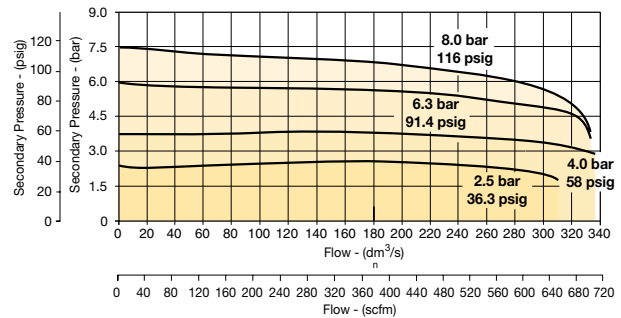
P3Y Series

Flow characteristics

(3/4") Regulator



(1") Regulator



P3Y Products

Filters

Coalescers

Regulators

Filter / Regulators

Lubricators

Combinations

Accessories and Kits

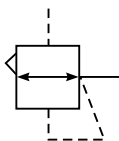


For inventory, lead times, and kit lookup, visit www.pdnplu.com

Pilot Operated Regulators

P3Y Pilot Operated Regulator

- Integral 3/4" or 1" ports (BSPP & NPT)
- Pilot controlled regulators can be mounted "out of reach" with pilot regulator installed in a convenient location
- Constant pilot bleed control for accurate pressure control
- Balanced poppet provides quick response
- High flow



Port Size	Description	Part Number
3/4"	Pilot operated regulator	P3YRA96BPPN
1"	Pilot operated regulator	P3YRA98BPPN

Operating information

Supply pressure (max):	254 psig (17.5 bar)
Operating temperature:	-40°F to 140°F (-40°C to 60°C)
Flow capacity [†] :	3/4" 550 scfm (259.6 dm ³ /s, ANR) 1" 550 scfm (259.6 dm ³ /s, ANR)
Fluid:	Compressed air
Weight:	2.6 lb (1.2 kg)
[†] Inlet pressure 145 psig (10 bar) inlet pressure, 91.4 psig (6.3 bar) set pressure and 7.3 psig (0.5 bar) pressure drop.	

Ordering Information

P3YRA
|
9
|
6
|
BPPN

Basic Series	Thread Type*	Port Size										
<table border="1" style="width: 100%; border-collapse: collapse;"> <tr> <td style="background-color: #333; color: white;">Pilot Operated Regulator</td> <td style="background-color: #333; color: white;">P3YRA</td> </tr> </table>	Pilot Operated Regulator	P3YRA	<table border="1" style="width: 100%; border-collapse: collapse;"> <tr> <td style="background-color: #333; color: white;">BSPP</td> <td style="background-color: #333; color: white;">1</td> </tr> <tr> <td style="background-color: #333; color: white;">NPT</td> <td style="background-color: #333; color: white;">9</td> </tr> </table>	BSPP	1	NPT	9	<table border="1" style="width: 100%; border-collapse: collapse;"> <tr> <td style="background-color: #333; color: white;">3/4</td> <td style="background-color: #333; color: white;">6</td> </tr> <tr> <td style="background-color: #333; color: white;">1</td> <td style="background-color: #333; color: white;">8</td> </tr> </table>	3/4	6	1	8
Pilot Operated Regulator	P3YRA											
BSPP	1											
NPT	9											
3/4	6											
1	8											

*** Note:** For 1-1/2" ported unit, please order P3YKA*BCP port block kit separately.

 Most popular.



For inventory, lead times, and kit lookup, visit www.pdnplu.com

- C
- P3Y Products
- Filters
- Coalescers
- Regulators
- Filter / Regulators
- Lubricators
- Combinations
- Accessories and Kits

Pilot Operated Regulators

Material specifications

Body	Aluminium
Body cover	ABS
Valve	Brass / NBR composite
Pilot valve booster	Aluminium
Seals	Nitrile NBR
Screws	Zinc plated steel



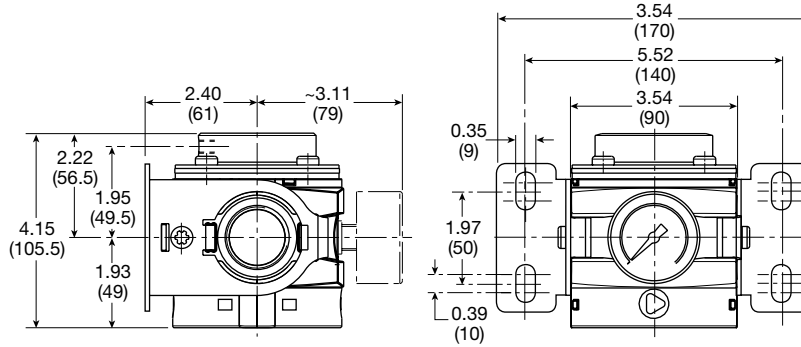
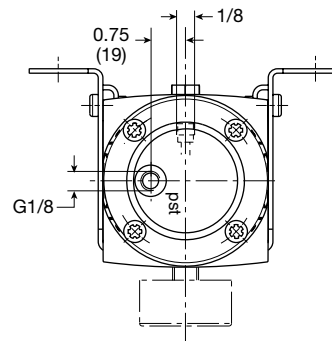
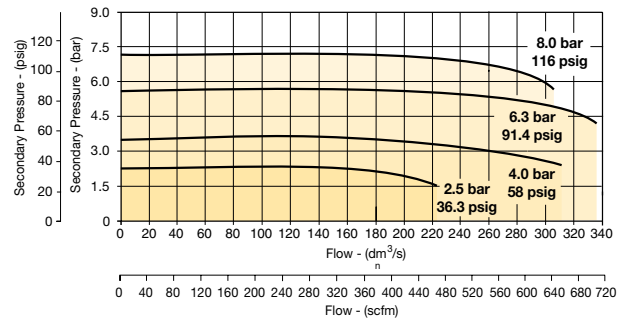
WARNING

**Product rupture can cause serious injury.
Do not connect regulator to bottled gas.
Do not exceed Maximum primary pressure rating.**

Air Preparation Products P3Y Series

Flow characteristics

3/4" and 1" Pilot Regulator



Inches (mm)



P3Y Products

Filters

Coalescers

Regulators

Filter /
Regulators

Lubricators

Combinations

Accessories
and Kits



For inventory, lead times, and kit lookup, visit www.pdnplu.com

C11

Parker Hannifin Corporation
Pneumatic Division
Richland, Michigan
www.parker.com/pneumatics

P3Y Proportional Pressure Regulator

- Integral 3/4" or 1" ports (BSPP & NPT)
- Accurate output pressure
- Very fast response times
- Robust but lightweight design



Port Size	Description	Part Number
3/4"	Normally Closed, 0 - 10 bar (0 to 145 psig)	P3YPA96BD2VA2A
1"	Normally Closed, 0 - 10 bar (0 to 145 psig)	P3YPA98BD2VA2A

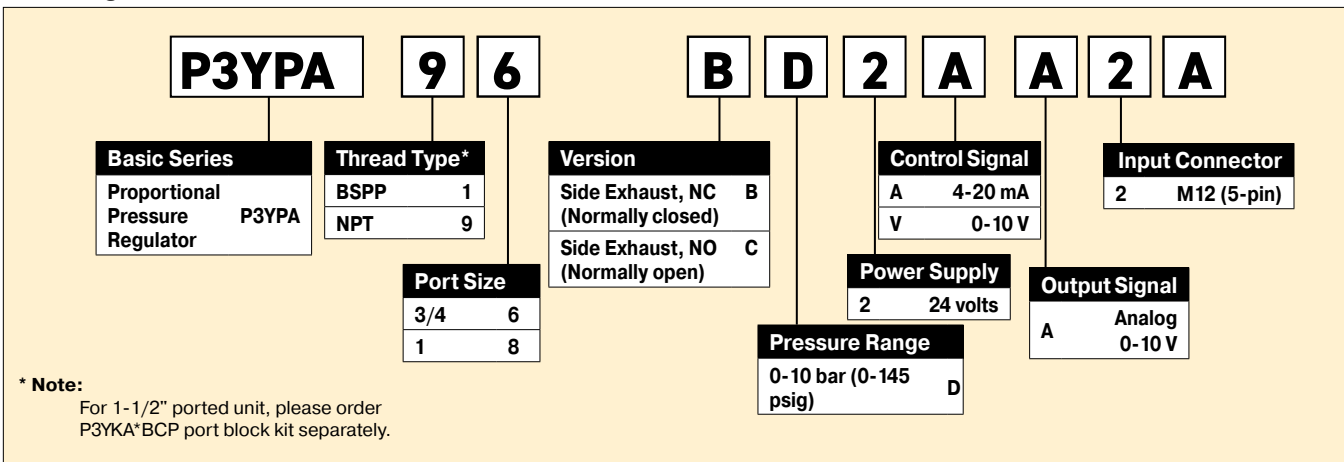
Operating information

Operating pressure:	P ¹ min	14.5 psig (1 bar)	Power consumption:	I _{Bmax}	0.15 A
Inlet pressure ¹ :	P ¹ max	232 psig (16 bar)	Set value input:	U _w	V 0-10
Operating pressure:	P ² min	2.9 psig (0.2 bar)		I	mA 0-20
Outlet pressure	P ² max	145 psig (10 bar)			mA 4-20
Operating temperature:		32°F to 122°F (0°C to 50°C)	Input resistance:	R _e	243 K Ω
Flow capacity ¹ :		706 scfm (332 dm ³ /s, ANR)	Actual valve output:	U _x	0 - 10 V
		l/min 20000	Output current:	I _{Amax}	10 mA
		m ³ /h 1200	Degree of protection:		IP65 to DIN 40050, EN 60529
Hysteresis:	P ² max	< 1%	Fluid:		Compressed air
Repeatability:	P ² max	< 0.5%	Weight:		1.2 lb (2.7 kg)
Sensitivity:	P ² max	< 0.5%			
Linearity:	P ² max	< 1%			
Nominal voltage:		U _n V DC 24 V ± 10%			
Residual ripple:		10%			

1) $p^1 > p^2 + 10\% p^2$
 2) at $p^1 - 10 \text{ bar}$ to $p^2 - 6.3 \text{ bar}$

[†] Inlet pressure 91.4 psig (6.3 bar) inlet pressure and 7.3 psig (0.5 bar) pressure drop.

Ordering Information



Most popular.



For inventory, lead times, and kit lookup, visit www.pdnplu.com

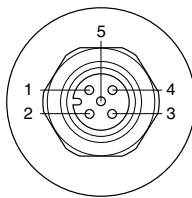
Material specifications

Housing	Aluminium
Pilot valve booster	Brass / NBR composite aluminium
Standard seals	NBR
Body cover screws	Steel / zinc plated

Cables

Type	Part number
M12, 5-pin female to flying lead cable, TPE; 2m (6.6 ft)	RKC 4.5T-2/S1587

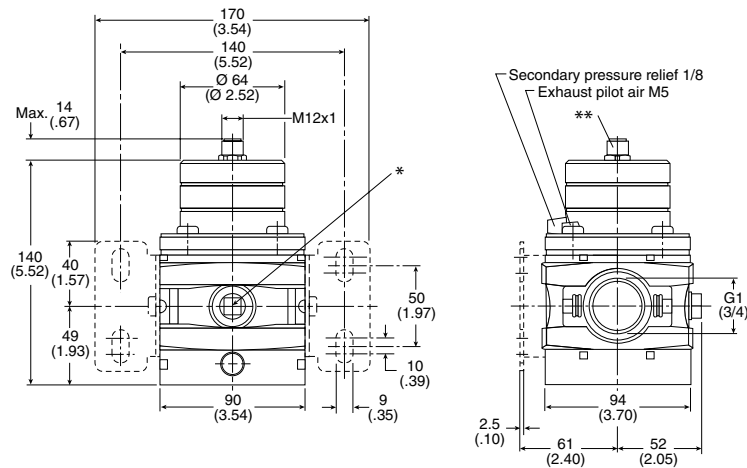
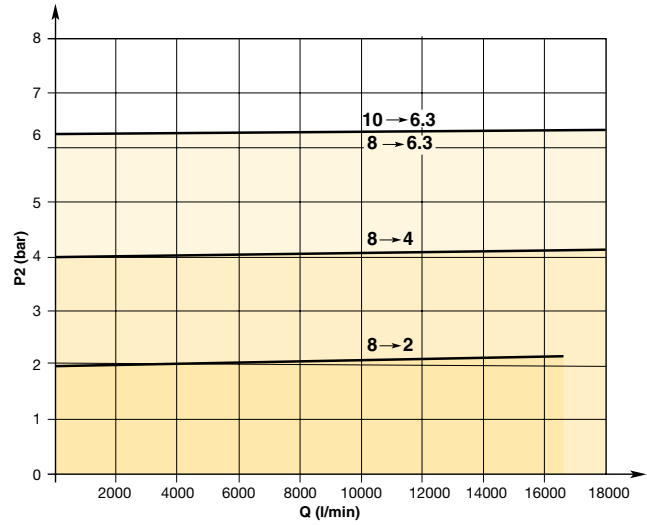
Connection diagram



Connector M12 x 1

Pin No.	Function
1 24 V	Supply
2 0 V	Reference & mass capacity
3 0 - 10 V	Set value input
4 0 V	Signal
5 0 - 10 V	Analog output

Flow characteristics



* Two opposite gauge ports 1/4, plug screw mounted
 **Connection for 5-pin plug M12 x 1

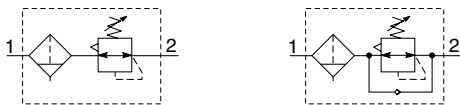
C
P3Y Products
Filters
Coalescers
Regulators
Filter / Regulators
Lubricators
Combinations
Accessories and Kits



For inventory, lead times, and kit lookup, visit www.pdnplu.com

P3Y Filter / Regulator

- Integral 3/4" or 1" ports (BSPP or NPT)
- High efficiency element as standard
- Excellent water removal efficiency
- Robust but lightweight aluminium construction
- Secondary pressure ranges 12 and 16 bar
- Rolling diaphragm for extended life
- Secondary aspiration plus balanced poppet provides quick response and accurate pressure regulation.
- Reverse flow / relieving option
- Low temperature -40°C (-40°F) with combined manual / semi-auto drain as standard



Port Size	Description (0 To 174 Psi)	Part Number
3/4"	Relieving, Combined Manual / Semi-Auto Drain	P3YEA96ESCBNEN
3/4"	Relieving, Auto Drain	P3YEA96ESABNEN
3/4"	Relieving, Gauge, Combined Manual / Semi-Auto Drain	P3YEA96ESCBNFN
3/4"	Relieving, Gauge, Auto Drain	P3YEA96ESABNFN
1"	Relieving, Combined Manual / Semi-Auto Drain	P3YEA98ESCBNEN
1"	Relieving, Auto Drain	P3YEA98ESABNEN
1"	Relieving, Gauge, Combined Manual / Semi-Auto Drain	P3YEA98ESCBNFN
1"	Relieving, Gauge, Auto Drain	P3YEA98ESABNFN

Operating information

Supply pressure (max)*:	254 psig (17.5 bar)
Operating temperature:	14°F to 140°F (-10°C to 60°C)
Auto drain	-40°F to 140°F (-40°C to 60°C)
Combined drain	
Standard filtration:	5 micron
Manual / semi-auto drain:	Closed at 11.6 psig (0.8 bar)
	G1/8 thread male
Auto drain bowl pressure:	Closed at 11.6 psig (0.8 bar)
Bowl capacity:	4.4 US oz. (130 cm ³)
Standard filtration:	5 micron
Flow capacity [†] :	3/4" 335 scfm (158.1 dm ³ /s, ANR)
	1" 465 scfm (219.5 dm ³ /s, ANR)
Fluid:	Compressed air
Gauge port (x2):	1/4"
Weight:	3.3 lb (1.5 kg)
† Inlet pressure 91.4 psig (6.3 bar) inlet pressure and 7.3 psig (0.5 bar) pressure drop.	
* Air supply must be dry enough to avoid ice formation at temperatures below 35.6°F (2°C).	

Air quality:
 Within ISO 8573-1: 1991 Class 3 and 5 (Particulates)
 Within ISO 8573-1: 2001 Class 6 and 7 (Particulates)

Ordering Information

P3YEA	9	6	E	SA	B	N	E	N
Basic Series Filter / Regulator P3YEA	Thread Type* BSPP 1 NPT 9	Port Size 3/4 6 1 8	Drain Type SC Combined Manual / Semi-Auto Drain SA Auto Drain	Relief B Relieving R Reverse Flow / Relieving	Lockable N Standard A† Lockable	Adjustment Range		
Notes: * For 1-1/2" ported unit, please order P3YKA*BCP port block kit separately. † Not field convertible.			Element E 5 micron	E 0 to 174 psi (0 to 12 bar), No Gauge H 0 to 232 psi (0 to 16 bar), No Gauge F 0 to 174 psi (0 to 12 bar), Gauge J 0 to 232 psi (0 to 16 bar), Gauge				

Most popular.



For inventory, lead times, and kit lookup, visit www.pdnplu.com

Material specifications

Body	Aluminium
Sight glass and bowl	Polypropylene
Body cover	ABS
Element	Sintered polypropylene
Seals	Nitrile NBR
Manual / semi-auto drain	Acetal
Auto drain	PA / Ø 10mm brass connection
Bonnet	Glass filled polyamide
Control Knob	Glass filled polyamide
Valve	Brass / NBR
Screws	Steel / zinc plated

Repair and Service Kits

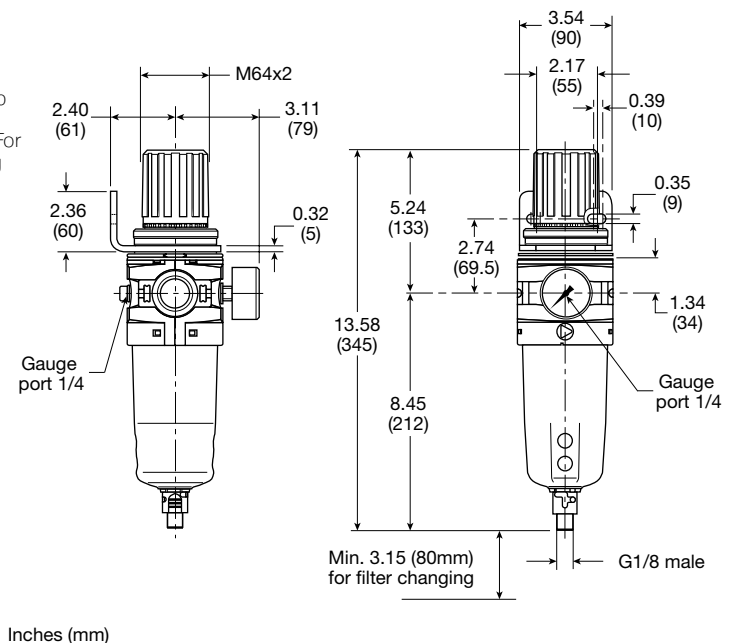
5 micron element kit	P3YKA00ESE
Bowl kit with combined manual/semi auto drain	P3YKA00BSC
Bowl kit with auto drain	P3YKA00BSA
Key lock kit	P3XKA00AS
Diaphragm kit (relieving type)	P3YKA00RR
Diaphragm kit (non-relieving type)	P3YKA00RN
Angle bracket + metal lock ring	P3YKA00MS
Panel mount nut	P3YKA00MM

WARNING

**Product rupture can cause serious injury.
 Do not connect regulator to bottled gas.
 Do not exceed Maximum primary pressure rating.**

CAUTION:

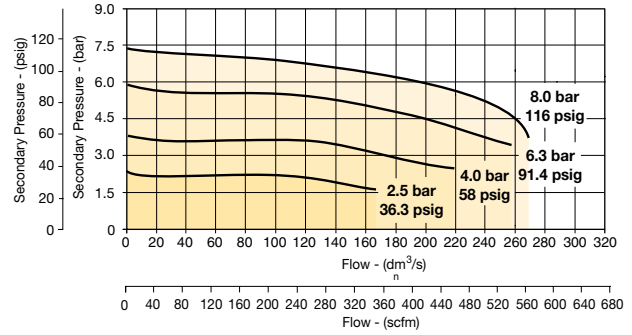
REGULATOR PRESSURE ADJUSTMENT – The working range of knob adjustment is designed to permit outlet pressures within their full range. Pressure adjustment beyond this range is also possible because the knob is not a limiting device. This is a common characteristic of most industrial regulators, and limiting devices may be obtained only by special design. For best performance, regulated pressure should always be set by increasing the pressure up to the desired setting.



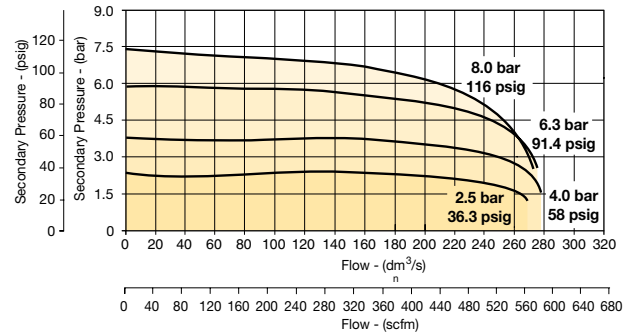
**Air Preparation Products
 P3Y Series**

Flow characteristics

(3/4") 5 Micron Filter / Regulator



(1") 5 Micron Filter / Regulator



P3Y Products

Filters

Coalescers

Regulators

Filter / Regulators

Lubricators

Combinations

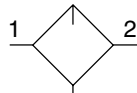
Accessories and Kits



For inventory, lead times, and kit lookup, visit www.pdnplu.com

P3Y Lubricator

- Integral 3/4" or 1" ports (BSPP and NPT)
- Robust but lightweight aluminium construction
- Proportional oil delivery over a wide range of air flows
- Possible to fill under system pressure eliminating down time
- Large oil reservoir



Lubricator with drain

Operating information

Supply pressure (max)*:	254 psig (17.5 bar)
Operating temperature*:	14°F to 140°F (-10°C to 60°C)
Flow capacity†:	3/4" 315 scfm (148.2 dm³/s, ANR) 1" 390 scfm (184.1 dm³/s, ANR)
Fluid:	Compressed air
Weight:	1.8 lb (0.8 kg)

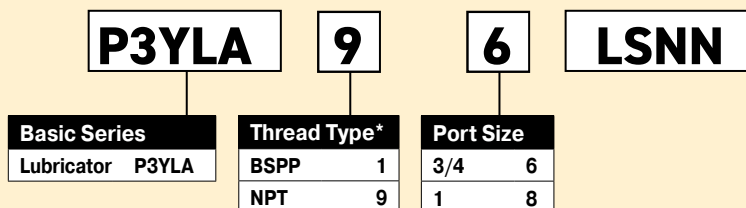
† Inlet pressure 91.4 psig (6.3 bar) inlet pressure and 7.3 psig (0.5 bar) pressure drop.

* Air supply must be dry enough to avoid ice formation at temperatures below 35.6°F (2°C).

Low flow start point (lubrication pick-up): at 6.3 bar (91.4 psig) inlet pressure 0.5 dm³/s (1.1 scfm).

Port Size	Description	Part Number
3/4"	Oil mist, fill under pressure	P3YLA96LSNN
1"	Oil mist, fill under pressure	P3YLA98LSNN

Ordering Information



* **Note:** For 1-1/2" ported unit, please order P3YKA*BCP port block kit separately.

Most popular.



For inventory, lead times, and kit lookup, visit www.pdnplu.com

- C
- P3Y Products
- Filters
- Coalescers
- Regulators
- Filter / Regulators
- Lubricators
- Combinations
- Accessories and Kits

Lubricators

Material specifications

Body	Aluminium
Sight glass and bowl	Polypropylene
Sight dome	Polyamide
Lubricator cover	ABS
Top & bottom end cap	Glass filled nylon
Bayonet support	Nylon
Seals	Nitrile NBR

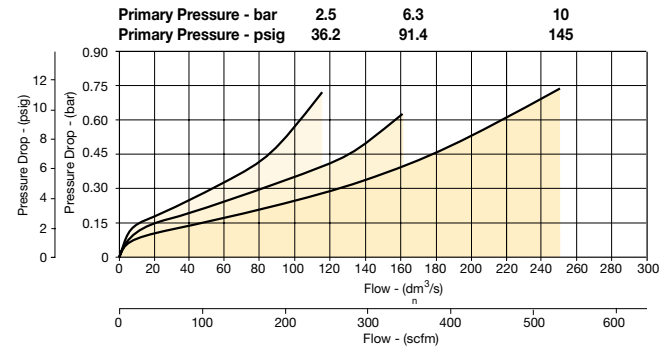
Repair and Service Kits

Bowl kit	P3YKA00BSN
Refill plug	P3YKA00PL
Oil (1 quart)	F442001
Oil (1 gallon)	F442002
Oil (12 quart case)	F442003
Oil (4 gallon case)	F442005

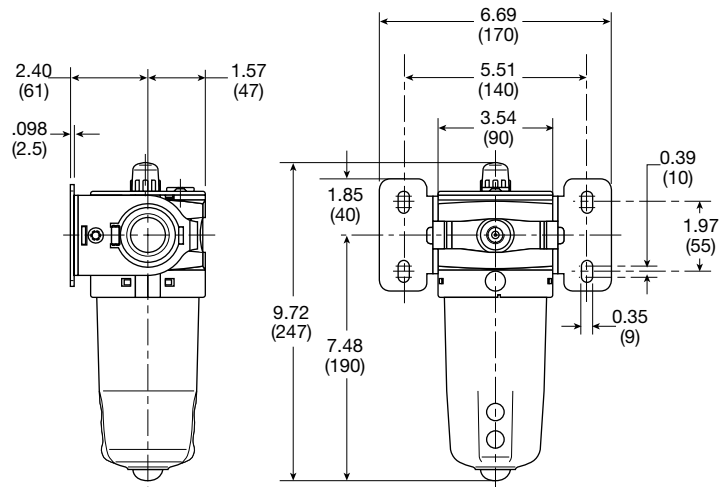
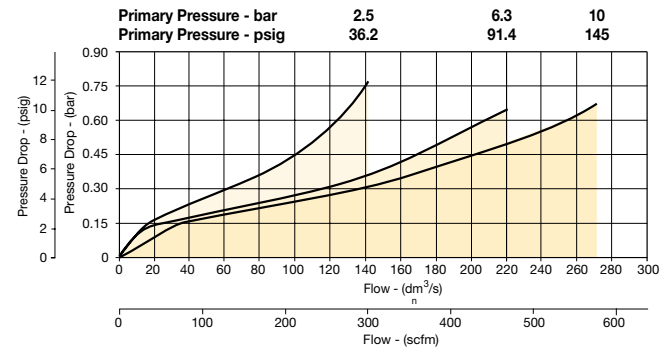
Air Preparation Products P3Y Series

Flow characteristics

(3/4") Lubricator



(1") Lubricator



Inches (mm)



P3Y Products

Filters

Coalescers

Regulators

Filter /
Regulators

Lubricators

Combinations

Accessories
and Kits

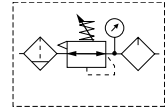


For inventory, lead times, and kit lookup, visit www.pdnplu.com

P3Y Combinations



Filter + Regulator + Lubricator Combinations
5 micron element, 12 bar (174 psig) regulator + gauge and wall mounting bracket

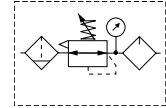


Port Size	Flow [‡] scfm	Weight lb (kg)	Combined Manual / Semi-Auto Drain [†]	Auto Drain [†]
3/4"	170	7.3 (3.3)	P3YCB96SECNFLNF	P3YCB96SEANFLNF
1"	170	7.3 (3.3)	P3YCB98SECNFLNF	P3YCB98SEANFLNF

† Standard part numbers shown in bold. For other models refer to Options chart below.
 ‡ Flow with 10 bar (145 psig) inlet pressure, 6.3 bar (91.4 psig) set pressure and 1 bar (14.5 psig) pressure drop.



Filter / Regulator + Lubricator Combinations
5 micron element, 12 bar (174 psig) regulator + gauge and wall mounting bracket



Port Size	Flow [‡] scfm	Weight lb (kg)	Combined Manual / Semi-Auto Drain [†]	Auto Drain [†]
3/4"	315	6.2 (2.8)	P3YCA96SECNFLNF	P3YCA96SEANFLNF
1"	340	6.2 (2.8)	P3YCA98SECNFLNF	P3YCA98SEANFLNF

† Standard part numbers shown in bold. For other models refer to Options chart below.
 ‡ Flow with 10 bar (145 psig) inlet pressure, 6.3 bar (91.4 psig) set pressure and 1 bar (14.5 psig) pressure drop.

Ordering Information:

P3YCA 9 6 SE C N F LNF

Basic Series Filter / Regulator + Lubricator P3YCA Filter + Regulator + Lubricator P3YCB	Thread Type* BSPP 1 NPT 9	Port Size 3/4 6 1 8	Drain Type Combined Manual / Semi-Auto Drain C Auto Drain A	Adjustment Range 0-12 Bar (0 to 174 psi) with Gauge F 0-16 Bar (0 to 232 psi) with Gauge J
---	--	--	--	---

* Note: For 1-1/2" ported unit, please order P3YKA*BCP port block kit separately.

WARNING

Product rupture can cause serious injury.
Do not connect regulator to bottled gas.
Do not exceed Maximum primary pressure rating.

CAUTION:

REGULATOR PRESSURE ADJUSTMENT -

The working range of knob adjustment is designed to permit outlet pressures within their full range. Pressure adjustment beyond this range is also possible because the knob is not a limiting device. This is a common characteristic of most industrial regulators, and limiting devices may be obtained only by special design. For best performance, regulated pressure should always be set by increasing the pressure up to the desired setting.

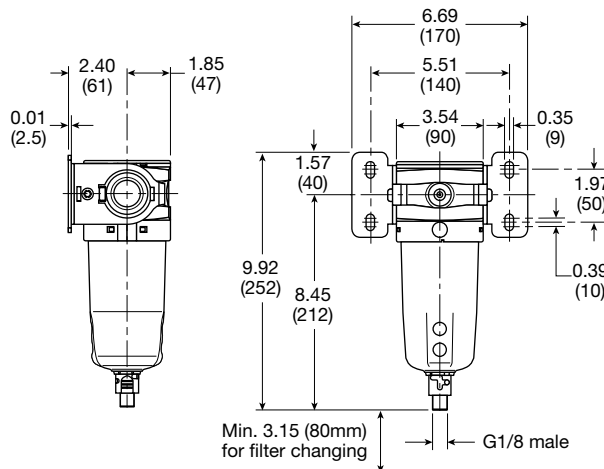
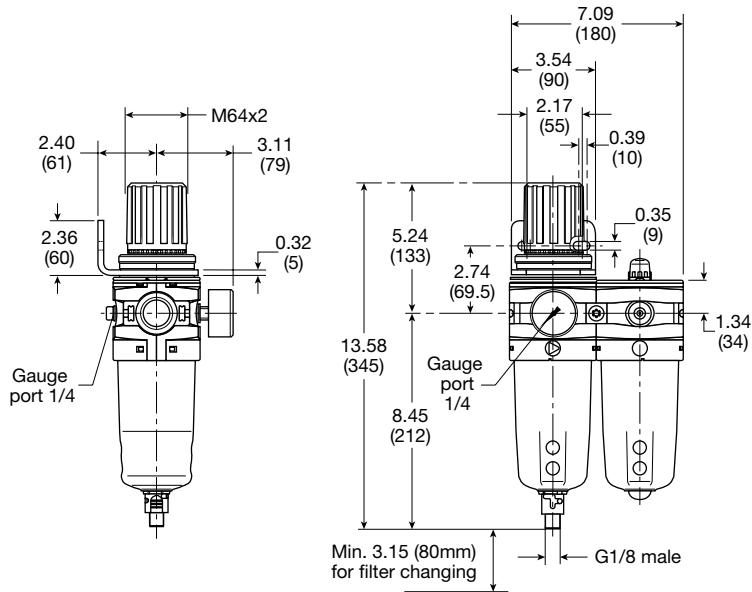
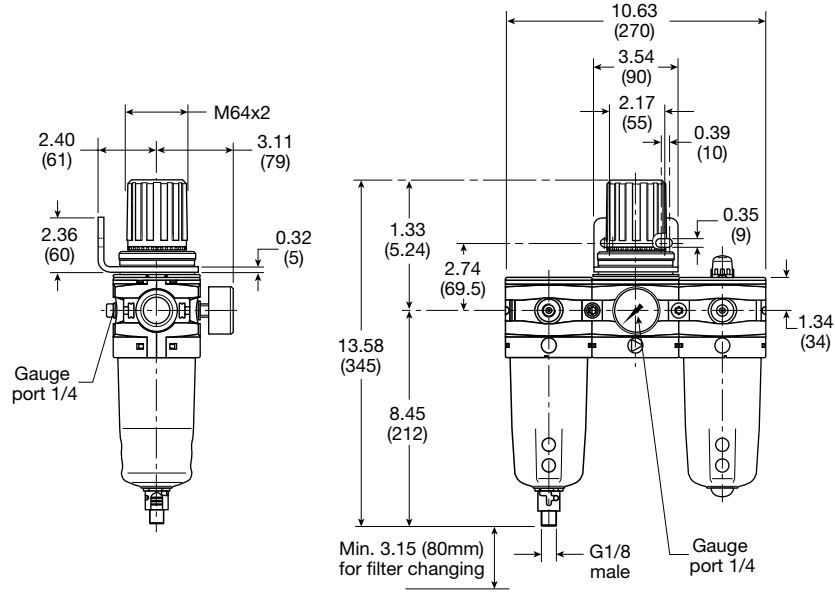
Most popular.



For inventory, lead times, and kit lookup, visit www.pdnplu.com

C
 P3Y Products
 Filters
 Coalescers
 Regulators
 Filter / Regulators
 Lubricators
 Combinations
 Accessories and Kits

P3Y Combinations



C	P3Y Products
Filters	Filters
Coalescers	Coalescers
Regulators	Regulators
Filter / Regulators	Filter / Regulators
Lubricators	Lubricators
Combinations	Combinations
Accessories and Kits	Accessories and Kits



For inventory, lead times, and kit lookup, visit www.pdnplu.com

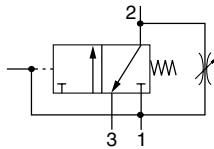
P3Y Combined Soft Start / Dump Valve

- Modular design with 3/4" & 1" integral ports (BSPP or NPT)
- Provides for the safe introduction of pressure
- Automatically dumps downstream pressure on the loss of pilot signal
- Adjustable slow start
- Solenoid or air pilot options
- High flow & exhaust capability



P3Y Series Combined Soft Start / Dump Valves, provide for the safe introduction of pressure to machines or systems. Soft Start / Dump Valves when set, allow the pressure to gradually build to the set point before fully opening to deliver full flow at line pressure.

The controlled introduction of pressure can be an important safety factor and prevent damage to tooling when air pressure is introduced at machine or system start up.



Port Size	Description	Part Number
3/4"	Air Pilot Operated	P3YTA96PPN
3/4"	24VDC 30mm Coil	P3YTA96SCNA2CN
1"	Air Pilot Operated	P3YTA98PPN
1"	24VDC 30mm Coil	P3YTA98SCNA2CN

Operating information

Operating pressure (max):	30mm coil	232 psig (16 bar)
Operating pressure (min):		2.9 psig (0.2 bar)
Operating temperature*:	Solenoid operated	14°F to 140°F (-10°C to 60°C)
	Air pilot operated	14°F to 140°F (-10°C to 60°C)
Air pilot port:		1/8"
Exhaust port:	NPT	3/4"
	BSPP	1"
Gauge port:		1/4"
Flow capacity†:	3/4"	371 scfm (175.1 dm³/s, ANR)
	1"	424 scfm (200.1 dm³/s, ANR)
Fluid:		Compressed air
Weight:	Air pilot	3.1 lb (1.4 kg)
	30mm coil	3.5 lb (1.6 kg)

† Inlet pressure 91.4 psig (6.3 bar) inlet pressure and 7.3 psig (0.5 bar) pressure drop.

* Air supply must be dry enough to avoid ice formation at temperatures below 35.6°F (2°C).

‡ Snap pressure: Full flow when downstream pressure reaches 50% of the inlet pressure.

Ordering Information

P3YTA	9	6	P	C	N	A	2	C	N
Basic Series Soft Start / Dump Valve	Thread Type* BSPP 1 NPT 9	Pilot Type External Air Pilot P Solenoid Pilot S	Port Size 3/4 6 1 8	Actuator Interface 30mm Operator C Threaded Air Pilot P	Solenoid Voltage 2CN 24VDC	Solenoid Type A 30mm CNOMO Coil D 30mm CNOMO Coil (M12 connection)			

* Note: For 1-1/2" ported unit, please order P3YKA*BCP port block kit separately.

☐ Most popular.



For inventory, lead times, and kit lookup, visit www.pdnplu.com

C20

Parker Hannifin Corporation
 Pneumatic Division
 Richland, Michigan
www.parker.com/pneumatics

C

P3Y Products

Filters

Coalescers

Regulators

Filter / Regulators

Lubricators

Combinations

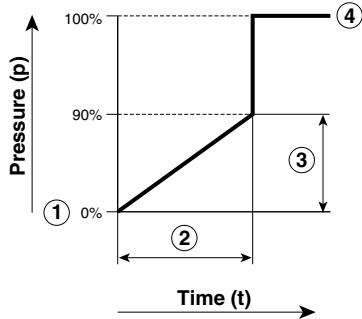
Accessories and Kits

Material specifications

Body	Aluminium
Body cover	ABS
Valve	Brass / NBR composite
Pilot valve booster	Aluminium
Seals	Nitrile NBR

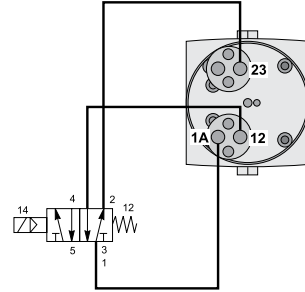
Note: For solenoid coil and cable plug options see solenoid operator pages.

Flow characteristics

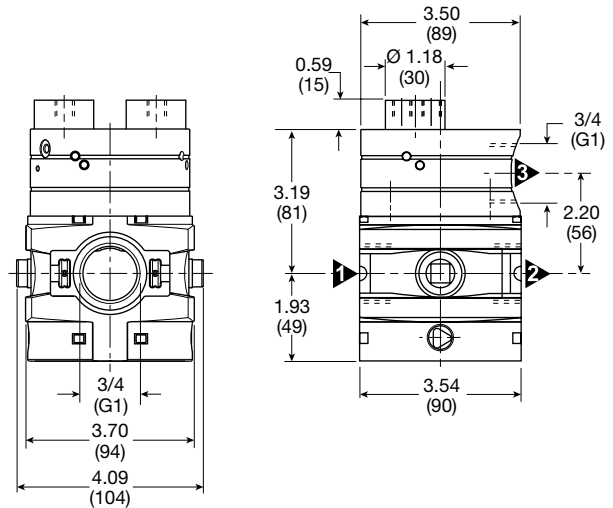
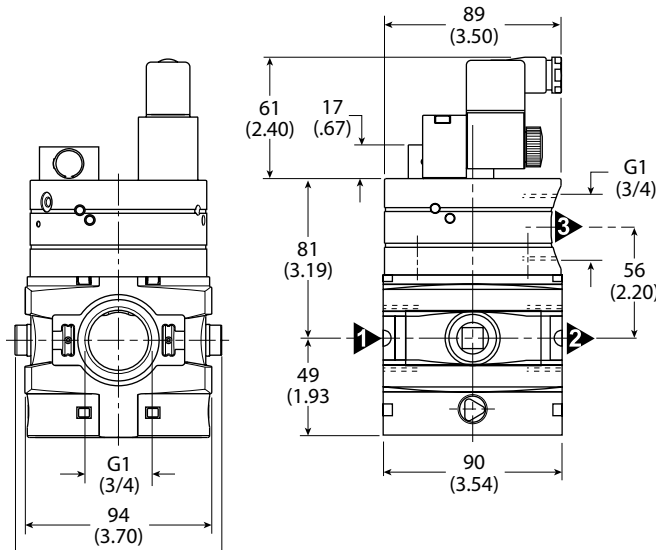
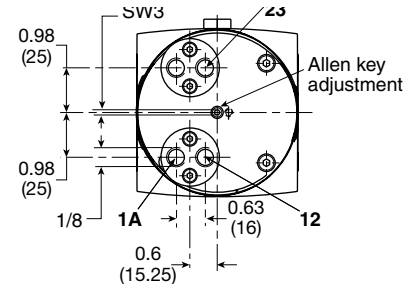
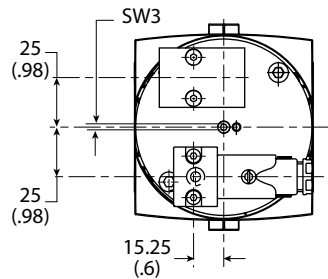
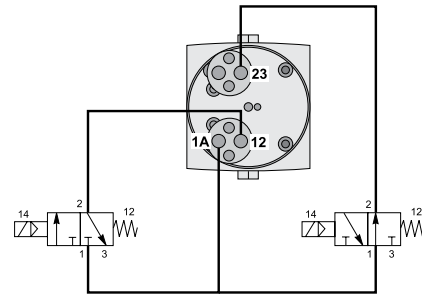


- ① Start signal
- ② Switching time delay
- ③ Gradual pressure build up
- ④ Operating pressure $p^2 (= p^1)$

Combined start / stop function



Combined start / stop function with acknowledgement



C

P3Y Products

Filters

Coalescers

Regulators

Filter / Regulators

Lubricators

Combinations

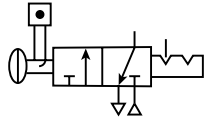
Accessories and Kits



For inventory, lead times, and kit lookup, visit www.pdnplu.com

P3Y Modular Ball Valve

- Positive bubble tight shut-off
- 90° turn handle to prevent unauthorized adjustment
- Pad lockable (up to 6 times)
- When the inlet pressure is turned off the downstream vents through the exhaust port



Ball / Lockout Valve shuts off downstream line pressure in the closed position with a 90° turn of the handle. In the closed position, inlet air pressure is blocked and downstream / system air is exhausted through a threaded port. To prevent unauthorized adjustment, the padlock slide may be assembled on either side. It is recommended that this slide is installed after final system assembly.

The Safety Lockout valves conform to OSHA #29 CFR part 1910 – control of hazardous energy source (lockout / tagout).

Operating information

Operating pressure (max):	254 psig (17.5 bar)
Operating pressure (min):	29 psig (2 bar)
Operating temperature:	14°F to 140°F (-10°C to 60°C)
Flow capacity ¹ :	3/4" 705.6 scfm (333 dm ³ /s, ANR)
	1" 705.6 scfm (333 dm ³ /s, ANR)
Weight:	3/4" 2.4 lb (1.1 kg)
	1" 2.4 lb (1.1 kg)

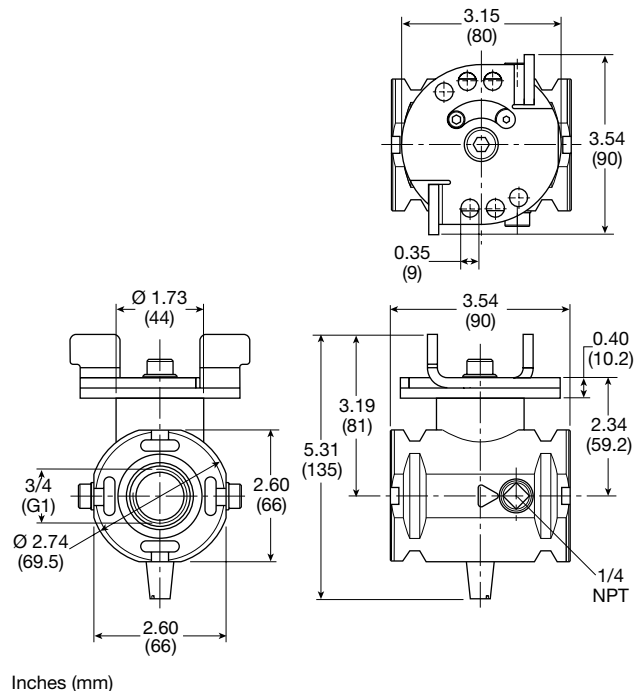
Ordering Information

P3YVA		9	6	LBN
Basic Series		Thread Type*		Port Size
Modular Ball Valve	P3YVA	BSP	1	3/4 6
		NPT	9	1 8

*** Note:**
 For 1-1/2" ported unit, please order P3YKA*BCP port block kit separately.

Material Specifications

Body	Aluminium
Valve ball	Brass / nickle plated
Handle	Aluminium
Seals	Nitrile NBR
Exhaust silencer	Sintered bronze



C

P3Y Products

Filters

Coalescers

Regulators

Filter / Regulators

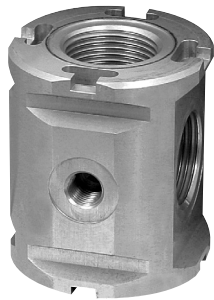
Lubricators

Combinations

Accessories and Kits

Accessories

Modular Manifold



P3Y Series Manifolds provide up to 4 extra outlet ports. They may be assembled at any position in a combination e.g. before the lubricator to provide oil free take off or at the end of a combination to provide extra outlet ports.

Thread Type	Part Number
BSPP	P3YMA1V0N
NPT	P3YMA9V0N

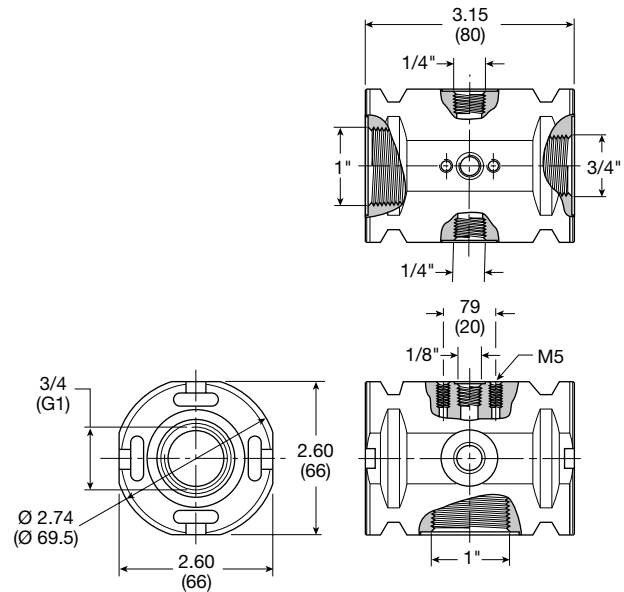
Port Sizes

Inlet Port	Top	Bottom	Front and Back
3/4"	1/8"	1"	1/4"
1"	1/8"	1"	1/4"

**Air Preparation Products
P3Y Series**

Material specifications

Body	Aluminium
Weight	0.7 kg (1.5 lb)



Inches (mm)

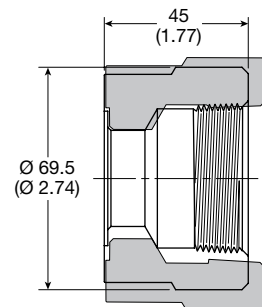
Optional Port Block Kits



- To change port sizes Port Block Kits are available, they are attached to any unit utilizing the connecting kit.
- Allows assemblies to be removed from a hard piped system.

Material specifications

Body	Aluminium
Weight	0.65 kg (1.43 lb)



Inches (mm)

Ordering Information

P3YKA 9 B CP

Basic Series	Thread Type	Port Size
Port Blocks P3YKA	BSPP 1	1-1/2 B
	NPT 9	



For inventory, lead times, and kit lookup, visit www.pdnplu.com

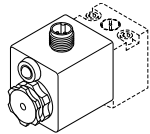
Solenoid Operators - CNOMO

**Technical data -
Solenoid operators, coil combinations**

	NC Normal Operator with 22 x 30 standard coil	NC Normal Operator with 30 x 30 standard coil
Working pressure	0 to 10 bar	0 to 10 bar
Ambient temperature	-10°C to 60°C *	-10°C to 60°C *
Power (DC)	4.8W	2.7W
Power (AC)	8.5VA	4.9VA
Voltage tolerance	+/- 10%	+/- 10%
Duty cycle	100%	100%
Insulation class	F	F
Electric connection	B Industrial	DIN 43650A
Protection	IP65	IP65
Approval		UL/CSA
Working media	All neutral media such as compressed air	

* Limited to 50°C if use with 100% duty cycle

Solenoid Coils with M12 Connection



Voltage	Part Number	Weight (Kg)
Direct current		
24VDC	P2FC6449	0.065

Transients

Interrupting the current through the solenoid coil produces momentary voltage peaks which, under unfavorable conditions, can amount to several hundred times the rated operating voltage. Normally, these transients do not cause problems, but to achieve the Maximum life of relays in the circuit (and particularly of transistors, thyristors and integrated circuits) it is desirable to provide protection by means of voltage-dependent resistors (varistors). All connectors/cable plugs EN175301-803 with LED's include this type of circuit protection.

Materials

Pilot Valve

Body:	Polyamide
Armature tube:	Brass
Plunger & core:	Corrosion resistant Cr-Ni steel
Seals:	Fluorocarbon
Screws:	Stainless steel

Coil

Encapsulation material:	Thermoplastic as standard Duroplast for M12 connection
-------------------------	---

Coalescers

P3Y Products

Filters

Regulators

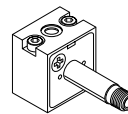
Filter /
Regulators

Lubricators

Combinations

Accessories
and Kits

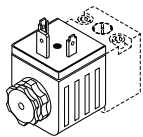
**Spare Base Solenoid Pilot Operator
CNOMO NC**



Description	Part Number	Weight (Kg)
Non-lock Manual Override	P2FP23N4B	0.065
No Override	P2FP23N4A	0.065

Note: Solenoid pilot operators are fitted to the Global range. Order the above part numbers for spares. The operators are supplied with mounting screws and interface 'O' rings. Coils and connectors must be ordered separately.

Solenoid Coils with DIN A or Industrial B Connection



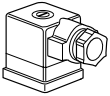
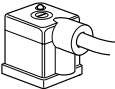
Voltage	22mm x 30mm Part Number B Industrial Standard	Weight (Kg)	30mm x 30mm Part Number DIN 43650A Standard	Weight (Kg)
Direct current				
24VDC	P2FCB449	0.093	P2FCA449	0.105
Alternative current				
110V 50Hz, 120V 60Hz	P2FCB453	0.093	P2FCA453	0.105

Most popular.

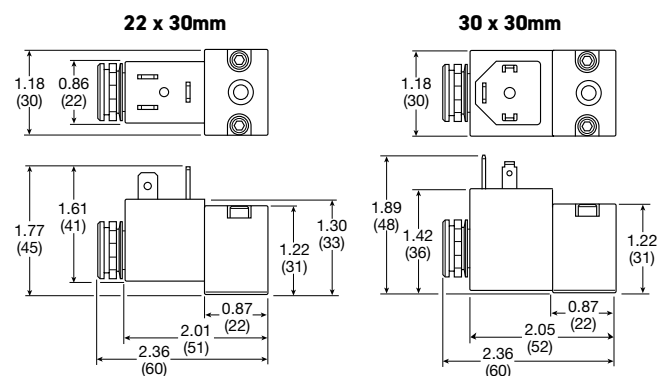


For inventory, lead times, and kit lookup, visit www.pdnplu.com

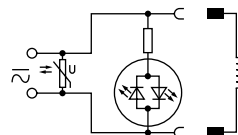
Solenoid Connectors / Cable Plugs EN175301-803

	Description	Part Number 22mm Form B Industrial	Part Number 30mm Form A DIN 43650A
 <p>With Standard Screw</p>	Standard IP65 without Flying Lead	PS2429BP	PS2028BP
	With LED and Protection 24VAC/DC	PS243079BP	PS203279BP
	With LED and Protection 110VAC	PS243083BP	PS203283BP
 <p>With Cable</p>	Standard with 2m cable IP65	PS2429JBP	PS2028JCP
	24VAC/DC, 2m cable LED and protection IP65	PS2430J79BP	PS2032J79CP
	110VAC/DC, 2m cable LED and protection IP65	PS2430J83BP	PS2032J83CP

Solenoid coil dimensions mm (inches)



Electrical schematics

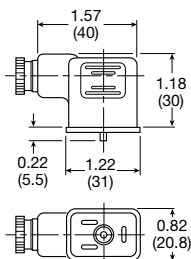


PS243079BP	PS203279BP
PS2430J79BP	PS2032J79CP
PS243083BP	PS203283BP
PS2430J83BP	PS2032J83CP
PS294679BP	PS294683BP
PS2946J79BP	PS2946J83BP

Cable plug dimensions mm (inches)

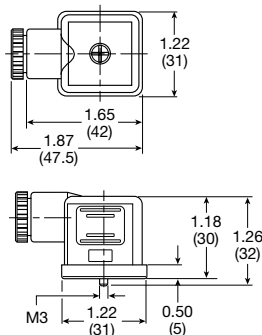
22mm Form B industrial cable plugs

PS2429BP



30mm DIN 43650A cable plugs

PS2028BP








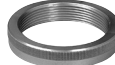
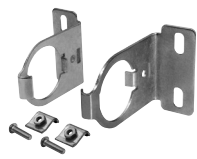
 Most popular.



For inventory, lead times, and kit lookup, visit www.pdnplu.com

C
P3Y Products
Filters
Coalescers
Regulators
Filter / Regulators
Lubricators
Combinations
Accessories and Kits

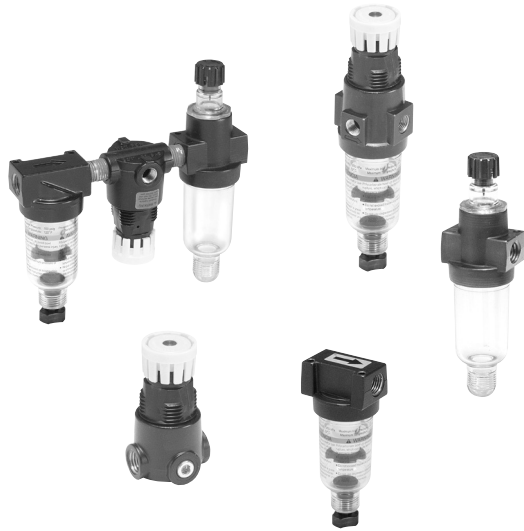
Accessories

	Description	Connection	Weight lb (kg)	Part Number	
P3Y Products	0.01 micron element kit			P3YKA00ESC	
	5 micron element kit			P3YKA00ESE	
	Adsorber element kit			P3YKA00ESA	
	Angle bracket + metal lock ring			P3YKA00MS	
	Bowl kit with combined manual / semi-auto drain			P3YKA00BSC	
	Bowl kit with auto drain			P3YKA00BSA	
	Bowl kit			P3YKA00BSN	
	Connector o-ring kit	Qty: 5		P3YKA08CY	
	Differential pressure indicator kit			P3YKA00RQ	
	Filters	Diaphragm kit (relieving type)			P3YKA00RR
Diaphragm kit (non-relieving type)				P3YKA00RN	
Key lock (replacement)				P3YKA00AS	
Coalescers	Lubricator oil	F442001 - 1 Qt.	2.03 (0.92)	F442001	
		F442002 - 1 Gal		F442002	
Regulators	Neck mounting bracket kit		8.27 (3.75)	P3YKA00MS	
Filter / Regulators	P3Y connecting kit		0.11 (0.05)	P3YKA00CB	
Lubricators	Panel mounting nut (Aluminium)		1.54 (0.70)	P3YKA00MM	
	Pressure gauge	0 to 160 psig (0 to 10 bar)	1/4"	0.13 (0.06)	K4520N14160
	0 to 300 psig (0 to 20 bar)	1/4"	0.13 (0.06)	K4520N14300	
Combinations	Refill plug			P3YKA00PL	
	Wall mounting brackets		0.44 (0.2)	P3YKA00CW	
Accessories and Kits					

Most popular.



For inventory, lead times, and kit lookup, visit www.pdnplu.com

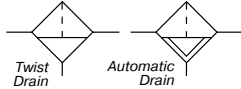


Air Preparation Products
14 Series Products

14F Particulate Filters	D2-D3
10F Coalescing Filters	D4-D5
14R Regulators	D6-D7
14E Filter / Regulators	D8-D9
04L Lubricators	D10-D11
14A / 14G Combinations	D12-D13

14F Particulate Filters - Miniature

- Excellent water removal efficiency
- Unique deflector plate that creates swirling of the air stream ensuring maximum water and dirt separation
- Easily disassembled for servicing without the use of tools
- 5 micron element standard
- Interchangeable twist and automatic pulse drains
- 1/8" & 1/4" ports (NPT, BSPP & BSPT)



Operating information

Supply pressure (max):		
Plastic bowl		0 to 150 psig (0 to 10.3 bar)
Metal bowl		0 to 250 psig (0 to 17.2 bar)
Auto pulse drain		10 to 250 psig (0.7 to 17.2 bar)
Operating temperature:		
Plastic bowl		32°F to 125°F (0°C to 52°C)
Metal bowl		32°F to 175°F (0°C to 80°C)
Auto pulse drain		125°F (52°C) or less
Flow capacity†:		
High flow	1/8"	22 scfm (10.4 dm³/s, ANR)
	1/4"	24 scfm (11.3 dm³/s, ANR)
Bowl capacity:		1 oz.
Auto pulse drain tube barb		1/8 inch
Weight:		0.41 lb (0.18 kg)

† scfm = Standard cubic feet per minute at 90 psig inlet and 5 psig pressure drop.

Port Size	Description †	Part Number
1/8"	Poly Bowl, Twist Drain	14F01BB
1/8"	Metal Bowl, Twist Drain	14F03BB
1/8"	Poly Bowl, Auto Pulse Drain	14F05BB
1/8"	Metal Bowl, Auto Pulse Drain	14F07BB
1/4"	Poly Bowl, Twist Drain	14F11BB
1/4"	Metal Bowl, Twist Drain	14F13BB
1/4"	Poly Bowl, Auto Pulse Drain	14F15BB
1/4"	Metal Bowl, Auto Pulse Drain	14F17BB

† For polycarbonate bowl, see caution in Engineering Section A.

Ordering Information:

14F	1	1	B	B	 																								
<table border="1"> <tr><th colspan="2">Port Size</th></tr> <tr><td>1/8 inch</td><td>0</td></tr> <tr><td>1/4 inch</td><td>1</td></tr> </table>		Port Size		1/8 inch	0	1/4 inch	1	<table border="1"> <tr><th colspan="2">Bowl Options</th></tr> <tr><td>Poly Bowl, Twist Drain</td><td>1</td></tr> <tr><td>Poly Bowl, Auto Pulse Drain</td><td>5</td></tr> <tr><td>Metal Bowl, Twist Drain</td><td>3</td></tr> <tr><td>Metal Bowl, Auto Pulse Drain</td><td>7</td></tr> </table>		Bowl Options		Poly Bowl, Twist Drain	1	Poly Bowl, Auto Pulse Drain	5	Metal Bowl, Twist Drain	3	Metal Bowl, Auto Pulse Drain	7	<table border="1"> <tr><th colspan="2">Port Type</th></tr> <tr><td>Blank</td><td>NPT</td></tr> <tr><td>1</td><td>BSPP</td></tr> <tr><td>2</td><td>BSPT</td></tr> </table>		Port Type		Blank	NPT	1	BSPP	2	BSPT
Port Size																													
1/8 inch	0																												
1/4 inch	1																												
Bowl Options																													
Poly Bowl, Twist Drain	1																												
Poly Bowl, Auto Pulse Drain	5																												
Metal Bowl, Twist Drain	3																												
Metal Bowl, Auto Pulse Drain	7																												
Port Type																													
Blank	NPT																												
1	BSPP																												
2	BSPT																												
			<table border="1"> <tr><th colspan="2">Engineering Level</th></tr> <tr><td>B</td><td>Current</td></tr> </table>		Engineering Level		B	Current	<table border="1"> <tr><th colspan="2">Element</th></tr> <tr><td>A</td><td>40 Micron</td></tr> <tr><td>B</td><td>5 Micron</td></tr> <tr><td>Z</td><td>Adsorber</td></tr> </table>	Element		A	40 Micron	B	5 Micron	Z	Adsorber												
Engineering Level																													
B	Current																												
Element																													
A	40 Micron																												
B	5 Micron																												
Z	Adsorber																												

Most popular.



For inventory, lead times, and kit lookup, visit www.pdnplu.com

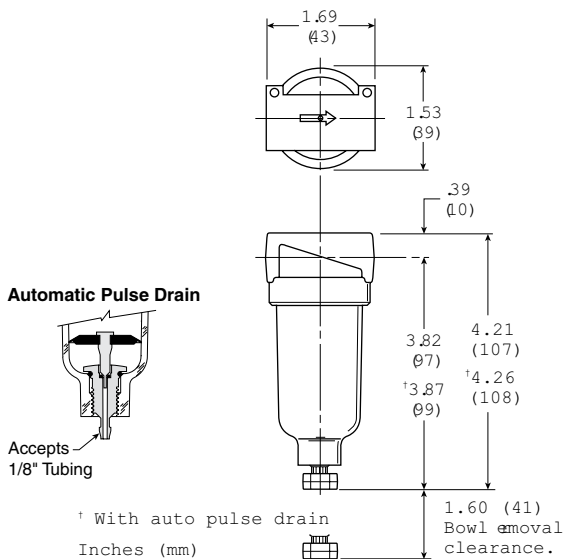
Miniature Particulate Filters

Material Specifications

Body	Zinc
Transparent bowl	Polycarbonate
Metal bowl without sight gauge	Zinc
Deflector, element holder & baffle	Plastic
Twist drain, body & stem	Plastic
Twist drain, seals	Nitrile
Auto pulse drain, piston & seals	Nitrile
Auto pulse drain, stem, seat, adaptor & washers	Aluminum
Element	Plastic
Adsorber (optional)	Activated charcoal
Seals	Nitrile

Repair and Service Kits

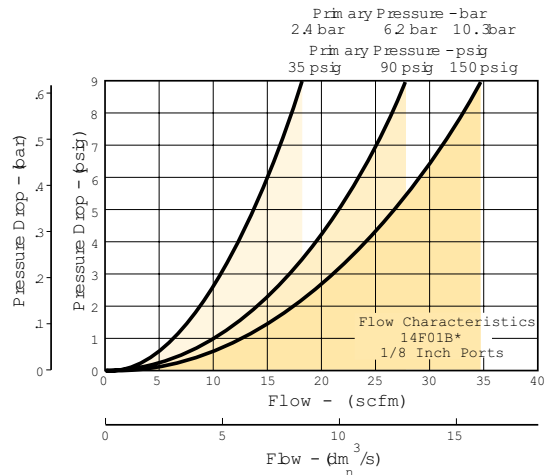
Poly bowl / auto pulse drain	PS408BP
Poly bowl / twist drain	PS404P
Metal bowl / auto pulse drain	PS451BP
Metal bowl / twist drain	PS447BP
40 Micron element	PS401P
5 Micron element	PS403P
5 Micron cartridge kit	PS407P
Adsorber element	PS452P
Mounting bracket kit	PS417BP



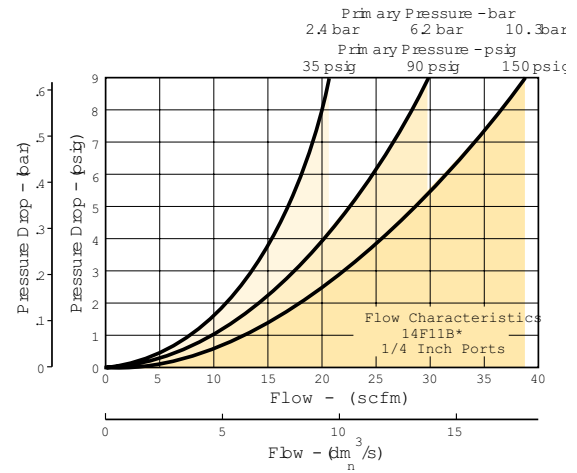
Air Preparation Products 14 Series

Flow Charts

14F 1/8" Particulate Filter



14F 1/4" Particulate Filter



D
14 Series
Products

Filters

Coalescers

Regulators

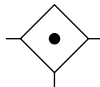
Filter /
Regulators

Lubricators

Combinations

10F Coalescing Filters - Miniature

- Removes liquid aerosols and sub-micron particles.
- Liquids gravitate to the bottom of the element and will not re-enter the airstream.
- Oil free air for critical applications, such as air gauging and pneumatic instrumentation and controls.
- Interchangeable twist and automatic pulse drains.
- Grade 6 element, 99.97% DOP efficiency
- 1/8", 1/4" ports (NPT, BSPP, BSPT)



Port Size	Description †	Part Number
1/8"	Poly Bowl, Twist Drain	10F01ED
1/8"	Metal Bowl, Twist Drain	10F03ED
1/8"	Poly Bowl, Auto Pulse Drain	10F05ED
1/8"	Metal Bowl, Auto Pulse Drain	10F07ED
1/4"	Poly Bowl, Twist Drain	10F11ED
1/4"	Metal Bowl, Twist Drain	10F13ED
1/4"	Poly Bowl, Auto Pulse Drain	10F15ED
1/4"	Metal Bowl, Auto Pulse Drain	10F17ED

Standard part numbers shown bold, with Grade 6 Elements (for Grade 10 Elements, replace "E" with "H" in the 6th position). For other models refer to ordering information below.

† For polycarbonate bowl, see caution in Engineering Section A.

Operating information

Supply pressure (max):		Plastic bowl	0 to 150 psig (0 to 10.3 bar)
		Metal bowl	0 to 250 psig (0 to 17.2 bar)
		Auto pulse drain	10 to 250 psig (0.7 to 17.2 bar)
Operating pressure drop:		Normal	2 psig (0.14 bar)
		Max recommended	10 psig (0.7 bar)
(Element should be replaced)			
Operating temperature:		Plastic bowl	32°F to 125°F (0°C to 52°C)
		Metal bowl	32°F to 175°F (0°C to 80°C)
		Auto pulse drain	125°F (52°C) or less
Flow capacity†:	Grade 6	1/8"	17 scfm (8 dm³/s, ANR)
	(0.01 micron)	1/4"	20 scfm (9.4 dm³/s, ANR)
	Grade 10	1/8"	19 scfm (9 dm³/s, ANR)
	(1.0 micron)	1/4"	24 scfm (11.3 dm³/s, ANR)
Bowl capacity:		1 oz.	
Auto pulse drain tube barb		1/8 inch	
Weight:		0.41 lb (0.18 kg)	

† scfm = Standard cubic feet per minute at 90 psig inlet and 5 psig pressure drop.

Ordering Information:

10F	1	1	E	D	 																					
<table border="1"> <thead> <tr><th>Port Size</th></tr> </thead> <tbody> <tr><td>1/8 inch</td><td>0</td></tr> <tr><td>1/4 inch</td><td>1</td></tr> </tbody> </table>		Port Size	1/8 inch	0	1/4 inch	1	<table border="1"> <thead> <tr><th>Bowl Options</th></tr> </thead> <tbody> <tr><td>Poly Bowl, Twist Drain</td><td>1</td></tr> <tr><td>Poly Bowl, Auto Pulse Drain</td><td>5</td></tr> <tr><td>Metal Bowl, Twist Drain</td><td>3</td></tr> <tr><td>Metal Bowl, Auto Pulse Drain</td><td>7</td></tr> </tbody> </table>		Bowl Options	Poly Bowl, Twist Drain	1	Poly Bowl, Auto Pulse Drain	5	Metal Bowl, Twist Drain	3	Metal Bowl, Auto Pulse Drain	7	<table border="1"> <thead> <tr><th>Port Type</th></tr> </thead> <tbody> <tr><td>Blank</td><td>NPT</td></tr> <tr><td>1</td><td>BSPP</td></tr> <tr><td>2</td><td>BSPT</td></tr> </tbody> </table>		Port Type	Blank	NPT	1	BSPP	2	BSPT
Port Size																										
1/8 inch	0																									
1/4 inch	1																									
Bowl Options																										
Poly Bowl, Twist Drain	1																									
Poly Bowl, Auto Pulse Drain	5																									
Metal Bowl, Twist Drain	3																									
Metal Bowl, Auto Pulse Drain	7																									
Port Type																										
Blank	NPT																									
1	BSPP																									
2	BSPT																									
			<table border="1"> <thead> <tr><th>Engineering Level</th></tr> </thead> <tbody> <tr><td>D</td><td>Current</td></tr> </tbody> </table>			Engineering Level	D	Current																		
Engineering Level																										
D	Current																									
			<table border="1"> <thead> <tr><th>Element</th></tr> </thead> <tbody> <tr><td>E</td><td>Grade 6</td></tr> <tr><td>H</td><td>Grade 10</td></tr> </tbody> </table>			Element	E	Grade 6	H	Grade 10																
Element																										
E	Grade 6																									
H	Grade 10																									

Most popular.



For inventory, lead times, and kit lookup, visit www.pdnplu.com

Catalog 0700P-8
Miniature Coalescing Filters

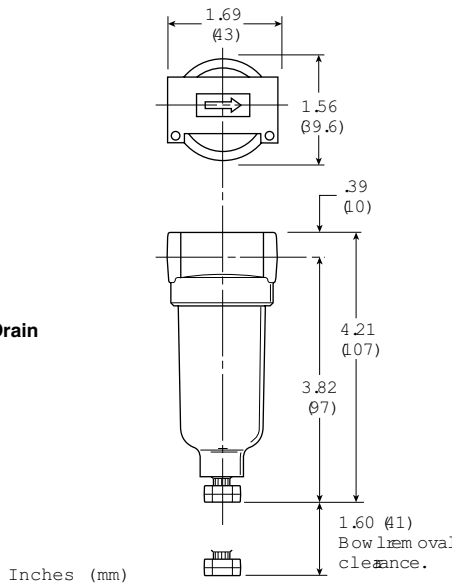
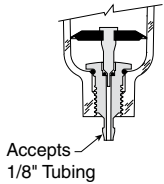
Material Specifications

Body	Zinc
Transparent bowl	Polycarbonate
Metal bowl without sight gauge	Zinc
Twist drain, body & stem	Plastic
Twist drain, seals	Nitrile
Auto pulse drain, piston & seals	Nitrile
Auto pulse drain, stem, seat, adaptor & washers	Aluminum
Element holder	Plastic
Element	Borosilicate & felt glass fibers
Seals	Nitrile

Repair and Service Kits

Poly bowl / auto pulse drain kit	PS408BP
Poly bowl / twist drain kit	PS404P
Metal bowl / auto pulse drain kit	PS451BP
Metal bowl / twist drain kit	PS447BP
Grade 6 element (standard)	PS446P
Grade 10 element (optional)	PS456P
Mounting bracket kit	PS417BP

Automatic Pulse Drain

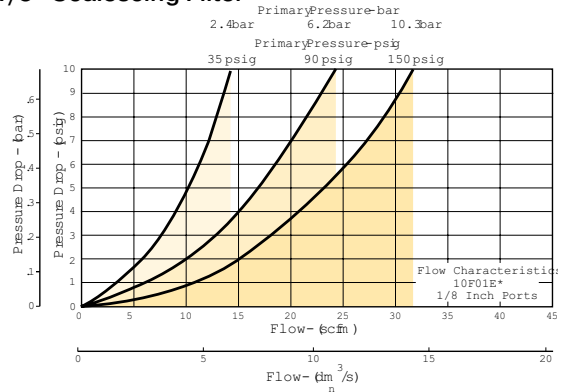


Air Preparation Products
14 Series

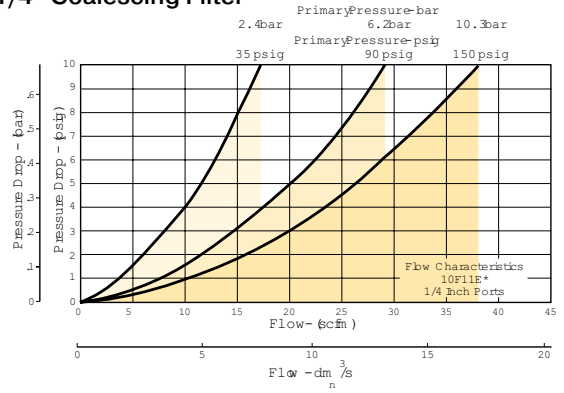
Flow Charts

Grade 6 Element

10F 1/8" Coalescing Filter

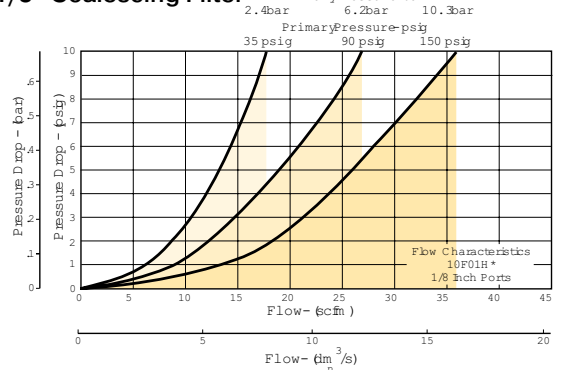


10F 1/4" Coalescing Filter

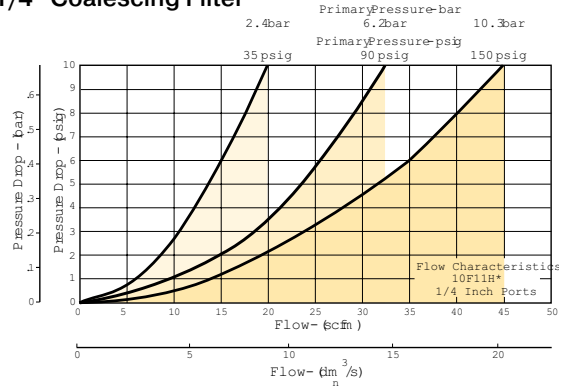


Grade 10 Element

10F 1/8" Coalescing Filter



10F 1/4" Coalescing Filter



D

14 Series Products

Filters

Coalescers

Regulators

Filter / Regulators

Lubricators

Combinations



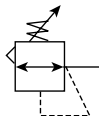
For inventory, lead times, and kit lookup, visit www.pdnplu.com

D5

Parker Hannifin Corporation
 Pneumatic Division
 Richland, Michigan
www.parker.com/pneumatics

14R Regulators - Miniature

- Unbalanced poppet standard
- Solid control piston with lip seal for extended life
- Non-rising adjusting knob
- Compact design
- Very easy to service
- 1/8", 1/4" ports (NPT, BSPP, BSPT)



Port Size	Description	Part Number
1/8"	Without Gauge	14R013FC
1/8"	With Gauge	14R018FC
1/4"	Without Gauge	14R113FC
1/4"	With Gauge	14R118FC

NOTE: 1.218 Dia. (31 mm) hole required for panel mounting.

Operating information

Supply pressure (max):	0 to 300 psig (0 to 20.7 bar)
Secondary pressure ranges	
Standard	2 to 125 psig (0 to 8.6 bar)
Medium	1 to 60 psig (0 to 4.1 bar)
Medium	1 to 30 psig (0 to 2.1 bar)
Low	1 to 15 psig (0 to 1 bar)
Operating temperature:	32°F to 125°F (0°C to 52°C)
Low temperature	-4°F to 125°F (-20°C to 52°C)
Flow capacity†:	
High flow	1/8" 13 scfm (6.1 dm³/s, ANR)
	1/4" 15 scfm (7.1 dm³/s, ANR)
Gauge ports (2):	1/8 or 1/4 inch
Weight:	0.3 lb (0.14 kg)

† scfm = Standard cubic feet per minute at 100 psig inlet, 90 psig no flow secondary setting and 10 psig pressure drop.

Ordering Information:

14R
1
13
F
C

<table border="1" style="width: 100%; border-collapse: collapse;"> <thead> <tr> <th colspan="2">Port Size</th> </tr> </thead> <tbody> <tr> <td>1/8 inch Pipe, 1/8 inch Gauge Port</td> <td style="text-align: center;">0</td> </tr> <tr> <td>1/4 inch Pipe, 1/8 inch Gauge Port</td> <td style="text-align: center;">1</td> </tr> <tr> <td>1/4 inch Pipe, 1/4 inch Gauge Port</td> <td style="text-align: center;">B</td> </tr> <tr> <td>1/8 inch Pipe, no Gauge Port</td> <td style="text-align: center;">C</td> </tr> <tr> <td>Manifold Mounting</td> <td style="text-align: center;">M</td> </tr> </tbody> </table>	Port Size		1/8 inch Pipe, 1/8 inch Gauge Port	0	1/4 inch Pipe, 1/8 inch Gauge Port	1	1/4 inch Pipe, 1/4 inch Gauge Port	B	1/8 inch Pipe, no Gauge Port	C	Manifold Mounting	M	<table border="1" style="width: 100%; border-collapse: collapse;"> <thead> <tr> <th colspan="2">Port Type</th> </tr> </thead> <tbody> <tr> <td>Blank</td> <td style="text-align: center;">NPT</td> </tr> <tr> <td>1</td> <td style="text-align: center;">BSPP</td> </tr> <tr> <td>2</td> <td style="text-align: center;">BSPT</td> </tr> </tbody> </table>	Port Type		Blank	NPT	1	BSPP	2	BSPT	<table border="1" style="width: 100%; border-collapse: collapse;"> <thead> <tr> <th colspan="2">Preset / Pressure Limited</th> </tr> </thead> <tbody> <tr> <td>Blank</td> <td style="text-align: center;">None</td> </tr> <tr> <td>XXX*</td> <td style="text-align: center;">Preset Pressure</td> </tr> <tr> <td>XXX*</td> <td style="text-align: center;">Pressure Limited</td> </tr> </tbody> </table> <p style="font-size: small;">* Available preset / pressure limited range, 10 to 90 psig in 5 psig increments. For higher pressures, contact factory. (Example: 065 = 65 psig)</p>	Preset / Pressure Limited		Blank	None	XXX*	Preset Pressure	XXX*	Pressure Limited																																															
Port Size																																																																													
1/8 inch Pipe, 1/8 inch Gauge Port	0																																																																												
1/4 inch Pipe, 1/8 inch Gauge Port	1																																																																												
1/4 inch Pipe, 1/4 inch Gauge Port	B																																																																												
1/8 inch Pipe, no Gauge Port	C																																																																												
Manifold Mounting	M																																																																												
Port Type																																																																													
Blank	NPT																																																																												
1	BSPP																																																																												
2	BSPT																																																																												
Preset / Pressure Limited																																																																													
Blank	None																																																																												
XXX*	Preset Pressure																																																																												
XXX*	Pressure Limited																																																																												
<table border="1" style="width: 100%; border-collapse: collapse;"> <thead> <tr> <th colspan="4">Pressure Range</th> </tr> <tr> <th colspan="2">Yellow Knob</th> <th colspan="2">Black Knob</th> </tr> </thead> <tbody> <tr> <td colspan="4" style="text-align: center;">Without Gauge</td> </tr> <tr> <td>30 psig</td> <td style="text-align: center;">10</td> <td>30 psig</td> <td style="text-align: center;">B0</td> </tr> <tr> <td>60 psig</td> <td style="text-align: center;">11</td> <td>60 psig</td> <td style="text-align: center;">B1</td> </tr> <tr> <td>15 psig</td> <td style="text-align: center;">12</td> <td>15 psig</td> <td style="text-align: center;">B2</td> </tr> <tr> <td>125 psig</td> <td style="text-align: center;">13</td> <td>125 psig</td> <td style="text-align: center;">B3</td> </tr> <tr> <td colspan="4" style="text-align: center;">With Gauge*</td> </tr> <tr> <td>30 psig</td> <td style="text-align: center;">15</td> <td>30 psig</td> <td style="text-align: center;">B5</td> </tr> <tr> <td>60 psig</td> <td style="text-align: center;">16</td> <td>60 psig</td> <td style="text-align: center;">B6</td> </tr> <tr> <td>15 psig</td> <td style="text-align: center;">17</td> <td>15 psig</td> <td style="text-align: center;">B7</td> </tr> <tr> <td>125 psig</td> <td style="text-align: center;">18</td> <td>125 psig</td> <td style="text-align: center;">B8</td> </tr> </tbody> </table> <p style="font-size: x-small;">* Not available with BSPP or BSPT port types.</p>	Pressure Range				Yellow Knob		Black Knob		Without Gauge				30 psig	10	30 psig	B0	60 psig	11	60 psig	B1	15 psig	12	15 psig	B2	125 psig	13	125 psig	B3	With Gauge*				30 psig	15	30 psig	B5	60 psig	16	60 psig	B6	15 psig	17	15 psig	B7	125 psig	18	125 psig	B8	<table border="1" style="width: 100%; border-collapse: collapse;"> <thead> <tr> <th colspan="2">Engineering Level</th> </tr> </thead> <tbody> <tr> <td>C</td> <td style="text-align: center;">Current</td> </tr> </tbody> </table>	Engineering Level		C	Current	<table border="1" style="width: 100%; border-collapse: collapse;"> <thead> <tr> <th colspan="2">Relief</th> </tr> </thead> <tbody> <tr> <td>F</td> <td style="text-align: center;">Relieving</td> </tr> <tr> <td>G</td> <td style="text-align: center;">Non-Relieving</td> </tr> <tr> <td>H</td> <td style="text-align: center;">Low Temp. Relieving</td> </tr> <tr> <td>J</td> <td style="text-align: center;">Low Temp. Non-Relieving</td> </tr> </tbody> </table>	Relief		F	Relieving	G	Non-Relieving	H	Low Temp. Relieving	J	Low Temp. Non-Relieving	<table border="1" style="width: 100%; border-collapse: collapse;"> <thead> <tr> <th colspan="2">Options</th> </tr> </thead> <tbody> <tr> <td>Blank</td> <td style="text-align: center;">No Options</td> </tr> <tr> <td>L†</td> <td style="text-align: center;">Preset Non-Adjustable</td> </tr> <tr> <td>P†</td> <td style="text-align: center;">Preset Adjustable</td> </tr> <tr> <td>S†</td> <td style="text-align: center;">Pressure Limiter Max. Adjustable</td> </tr> <tr> <td>T†</td> <td style="text-align: center;">Pressure Limiter Max. Non-Adjustable</td> </tr> </tbody> </table> <p style="font-size: x-small;">† Inlet pressure is 100 psig. For other pressures contact factory.</p>	Options		Blank	No Options	L†	Preset Non-Adjustable	P†	Preset Adjustable	S†	Pressure Limiter Max. Adjustable	T†	Pressure Limiter Max. Non-Adjustable
Pressure Range																																																																													
Yellow Knob		Black Knob																																																																											
Without Gauge																																																																													
30 psig	10	30 psig	B0																																																																										
60 psig	11	60 psig	B1																																																																										
15 psig	12	15 psig	B2																																																																										
125 psig	13	125 psig	B3																																																																										
With Gauge*																																																																													
30 psig	15	30 psig	B5																																																																										
60 psig	16	60 psig	B6																																																																										
15 psig	17	15 psig	B7																																																																										
125 psig	18	125 psig	B8																																																																										
Engineering Level																																																																													
C	Current																																																																												
Relief																																																																													
F	Relieving																																																																												
G	Non-Relieving																																																																												
H	Low Temp. Relieving																																																																												
J	Low Temp. Non-Relieving																																																																												
Options																																																																													
Blank	No Options																																																																												
L†	Preset Non-Adjustable																																																																												
P†	Preset Adjustable																																																																												
S†	Pressure Limiter Max. Adjustable																																																																												
T†	Pressure Limiter Max. Non-Adjustable																																																																												
Spring Type by Preset / Limited Pressure: For Preset / Limited Pressure 10 to 25 use 30 psi spring For Preset / Limited Pressure 26 to 50 use 60 psi spring For Preset / Limited Pressure 51 to 90 use 125 psi spring																																																																													

 Most popular.



For inventory, lead times, and kit lookup, visit www.pdnplu.com

Catalog 0700P-8
Miniature Regulators

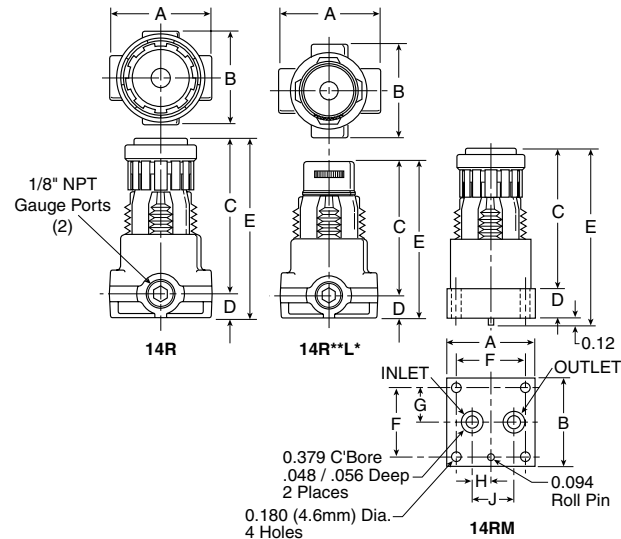
Material Specifications

Adjusting nut	Brass
Adjusting stem & spring	Steel
Body	Zinc
Bonnet, seat, piston & valve poppet	Plastic
Seals	Nitrile

Repair and Service Kits

Bonnet assembly kit	L01369
Bonnet tamperproof kit	P01265
30 psig gauge, 1/8" NPT (0 to 2.1 bar)	K4515N18030
60 psig gauge, 1/8" NPT (0 to 4.1 bar)	K4515N18060
160 psig gauge, 1/8" NPT (0 to 11.0 bar)	K4515N18160
60 psig gauge, 1/4" NPT (0 to 4.1 bar)	K4520N14060
160 psig gauge, 1/4" NPT (0 to 11.0 bar)	K4520N14160
Mounting bracket kit* (includes panel mount nut)	PS417BP
Plastic panel mount nuts*	P78652
Metal panel mount nuts*	P01531
Unbalanced non-relieving, poppet / piston kit	PS428P
Unbalanced relieving, poppet / piston kit	PS426P
1- 15 psig spring (yellow)	P01176
1-30 psig spring (black)	P01175
1-60 psig spring (white)	P01174
2- 125 psig spring (gold)	P01173

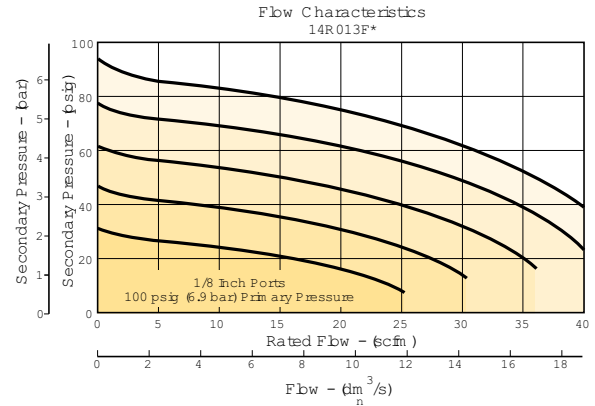
* Tighten panel mount nut 2.8 to 3.4 Nm (25 to 30 in-lbs) of torque.



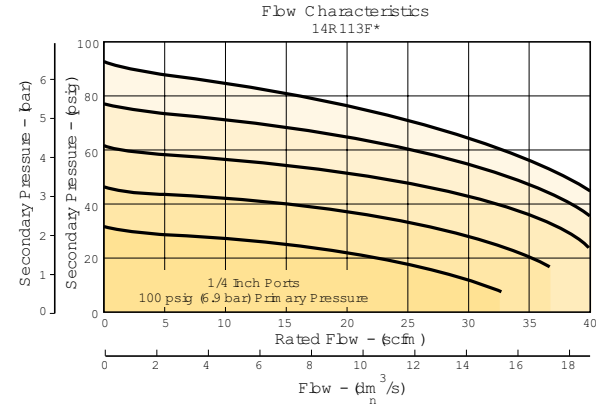
Air Preparation Products
14 Series

Flow Charts

14R 1/8" Ports



14R 1/4" Ports



WARNING
 Product rupture can cause serious injury.
 Do not connect regulator to bottled gas.
 Do not exceed Maximum primary pressure rating.

CAUTION:
REGULATOR PRESSURE ADJUSTMENT – The working range of knob adjustment is designed to permit outlet pressures within their full range. Pressure adjustment beyond this range is also possible because the knob is not a limiting device. This is a common characteristic of most industrial regulators, and limiting devices may be obtained only by special design. For best performance, regulated pressure should always be set by increasing the pressure up to the desired setting.

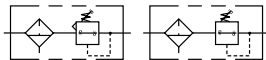
D
14 Series Products
Filters
Coalescers
Regulators
Filter / Regulators
Lubricators
Combinations



For inventory, lead times, and kit lookup, visit www.pdnplu.com

14E Filter / Regulator - Miniature

- Excellent water removal efficiency
- Unbalanced poppet standard
- Solid control piston for extended life
- Space saving package offers both filter and regulator features in one integral unit
- Non-rising adjustment knob
- Two full flow 1/8" gauge ports
- 1/8", 1/4" ports (NPT, BSPP, BSPT)



Port Size	Description †	Part Number
1/8"	Poly Bowl, Twist Drain	14E01B13FC
1/8"	Metal Bowl, Twist Drain	14E03B13FC
1/8"	Poly Bowl, Auto Pulse Drain	14E05B13FC
1/8"	Metal Bowl, Auto Pulse Drain	14E07B13FC
1/4"	Poly Bowl, Twist Drain	14E11B13FC
1/4"	Metal Bowl, Twist Drain	14E13B13FC
1/4"	Poly Bowl, Auto Pulse Drain	14E15B13FC
1/4"	Metal Bowl, Auto Pulse Drain	14E17B13FC

† For polycarbonate bowl, see caution in Engineering Section A.
NOTE: 1.218 Dia. (31 mm) hole required for panel mounting.

Operating information

Supply pressure (max):		
Plastic bowl		0 to 150 psig (0 to 10.3 bar)
Metal bowl		0 to 250 psig (0 to 17.2 bar)
Secondary pressure ranges		
Standard		2 to 125 psig (0 to 8.6 bar)
Medium		1 to 30 psig (0 to 2.1 bar)
Medium		1 to 60 psig (0 to 4.1 bar)
Low		1 to 15 psig (0 to 1 bar)
Operating temperature:		
Plastic bowl		32°F to 125°F (0°C to 52°C)
Metal bowl		32°F to 175°F (0°C to 80°C)
Flow capacity†:		
High flow	1/8"	16 scfm (7.6 dm³/s, ANR)
	1/4"	18 scfm (8.5 dm³/s, ANR)
Bowl capacity:		1 oz.
Auto pulse drain tube barb		1/8 inch
Gauge ports (2):		1/8 inch (can be used as additional full flow)
Weight:		0.4 lb (0.18 kg)

† scfm = Standard cubic feet per minute at 100 psig inlet and 10 psig pressure drop.

Ordering Information:

14E	1	1	B	13	F	C																																							
<table border="1"> <thead> <tr><th>Port Size</th><th></th></tr> </thead> <tbody> <tr><td>1/8 inch</td><td>0</td></tr> <tr><td>1/4 inch</td><td>1</td></tr> </tbody> </table>		Port Size		1/8 inch	0	1/4 inch	1	<table border="1"> <thead> <tr><th>Bowl Options</th><th></th></tr> </thead> <tbody> <tr><td>Poly Bowl, Twist Drain</td><td>1</td></tr> <tr><td>Poly Bowl, Auto Pulse Drain</td><td>5</td></tr> <tr><td>Metal Bowl, Twist Drain</td><td>3</td></tr> <tr><td>Metal Bowl, Auto Pulse Drain</td><td>7</td></tr> </tbody> </table>		Bowl Options		Poly Bowl, Twist Drain	1	Poly Bowl, Auto Pulse Drain	5	Metal Bowl, Twist Drain	3	Metal Bowl, Auto Pulse Drain	7	<table border="1"> <thead> <tr><th>Element</th><th></th></tr> </thead> <tbody> <tr><td>40 Micron</td><td>A</td></tr> <tr><td>5 Micron</td><td>B</td></tr> <tr><td>Adsorber</td><td>Z</td></tr> </tbody> </table>		Element		40 Micron	A	5 Micron	B	Adsorber	Z	<table border="1"> <thead> <tr><th>Engineering Level</th><th></th></tr> </thead> <tbody> <tr><td>C</td><td>Current</td></tr> </tbody> </table>		Engineering Level		C	Current	<table border="1"> <thead> <tr><th>Preset / Pressure Limited</th><th></th></tr> </thead> <tbody> <tr><td>Blank</td><td>None</td></tr> <tr><td>XXX*</td><td>Preset Pressure</td></tr> <tr><td>XXX*</td><td>Pressure Limited</td></tr> </tbody> </table> <p>* Available preset / pressure limited range, 10 to 90 psig in 5 psig increments. For higher pressures, contact factory. (Example: 065 = 65 psig)</p>		Preset / Pressure Limited		Blank	None	XXX*	Preset Pressure	XXX*	Pressure Limited
Port Size																																													
1/8 inch	0																																												
1/4 inch	1																																												
Bowl Options																																													
Poly Bowl, Twist Drain	1																																												
Poly Bowl, Auto Pulse Drain	5																																												
Metal Bowl, Twist Drain	3																																												
Metal Bowl, Auto Pulse Drain	7																																												
Element																																													
40 Micron	A																																												
5 Micron	B																																												
Adsorber	Z																																												
Engineering Level																																													
C	Current																																												
Preset / Pressure Limited																																													
Blank	None																																												
XXX*	Preset Pressure																																												
XXX*	Pressure Limited																																												
<table border="1"> <thead> <tr><th>Relief</th><th></th></tr> </thead> <tbody> <tr><td>F</td><td>Relieving</td></tr> <tr><td>G</td><td>Non-Relieving</td></tr> <tr><td>H*</td><td>Low Temp. Relieving</td></tr> </tbody> </table> <p>* Twist drain only.</p>					Relief		F	Relieving	G	Non-Relieving	H*	Low Temp. Relieving	<table border="1"> <thead> <tr><th>Port Type</th><th></th></tr> </thead> <tbody> <tr><td>Blank</td><td>NPT</td></tr> <tr><td>1</td><td>BSPP</td></tr> <tr><td>2</td><td>BSPT</td></tr> </tbody> </table>		Port Type		Blank	NPT	1	BSPP	2	BSPT	<table border="1"> <thead> <tr><th>Options</th><th></th></tr> </thead> <tbody> <tr><td>Blank</td><td>No Options</td></tr> <tr><td>L†</td><td>Preset Non-Adjustable</td></tr> <tr><td>P†</td><td>Preset Adjustable</td></tr> <tr><td>S†</td><td>Pressure Limiter Max. Adjustable</td></tr> <tr><td>T†</td><td>Pressure Limiter Max. Non-Adjustable</td></tr> </tbody> </table>		Options		Blank	No Options	L†	Preset Non-Adjustable	P†	Preset Adjustable	S†	Pressure Limiter Max. Adjustable	T†	Pressure Limiter Max. Non-Adjustable									
Relief																																													
F	Relieving																																												
G	Non-Relieving																																												
H*	Low Temp. Relieving																																												
Port Type																																													
Blank	NPT																																												
1	BSPP																																												
2	BSPT																																												
Options																																													
Blank	No Options																																												
L†	Preset Non-Adjustable																																												
P†	Preset Adjustable																																												
S†	Pressure Limiter Max. Adjustable																																												
T†	Pressure Limiter Max. Non-Adjustable																																												
<table border="1"> <thead> <tr><th>Pressure Range</th><th></th><th></th><th></th></tr> <tr><th>Without Gauge</th><th></th><th>With Gauge*</th><th></th></tr> </thead> <tbody> <tr><td>30 psig</td><td>10</td><td>30 psig</td><td>15</td></tr> <tr><td>60 psig</td><td>11</td><td>60 psig</td><td>16</td></tr> <tr><td>15 psig</td><td>12</td><td>15 psig</td><td>17</td></tr> <tr><td>125 psig</td><td>13</td><td>125 psig</td><td>18</td></tr> </tbody> </table> <p>* Not available with BSPP or BSPT port types.</p>					Pressure Range				Without Gauge		With Gauge*		30 psig	10	30 psig	15	60 psig	11	60 psig	16	15 psig	12	15 psig	17	125 psig	13	125 psig	18	<p>Spring Type by Preset / Limited Pressure: For Preset / Limited Pressure 10 to 25 use 30 psi spring For Preset / Limited Pressure 26 to 50 use 60 psi spring For Preset / Limited Pressure 51 to 90 use 125 psi spring</p>																
Pressure Range																																													
Without Gauge		With Gauge*																																											
30 psig	10	30 psig	15																																										
60 psig	11	60 psig	16																																										
15 psig	12	15 psig	17																																										
125 psig	13	125 psig	18																																										

☐ Most popular.



For inventory, lead times, and kit lookup, visit www.pdnplu.com

Material Specifications

Adjusting nut	Brass
Adjusting stem & spring	Steel
Body	Zinc
Bonnet, knob, seat, piston, holder & deflector	Plastic
Transparent bowl	Polycarbonate
Metal bowl (without sight gauge)	Zinc
Twist drain, body & stem	Plastic
Twist drain, seals	Nitrile
Auto pulse drain, piston & seals	Nitrile
Auto pulse drain, stem, seat, adaptor & washers	Aluminum
5 Micron elements (standard)	Plastic
40 Micron elements (optional)	Plastic
Adsorber elements (optional)	Activated charcoal
Seals	Nitrile

Repair and Service Kits

Bonnet tamperproof kit	P01265
Poly bowl / auto drain	PS408BP
Poly bowl / twist drain	PS404P
Metal bowl / auto drain	PS451BP
Metal bowl / twist drain	PS447BP
40 micron element	PS401P
5 micron element	PS403P
Adsorber element	PS452P
30 psig (0 to 2.1 bar), gauge	K4515N18030
60 psig (0 to 4.1 bar), gauge	K4515N18060
160 psig (0 to 11.0 bar), gauge	K4515N18160
Mounting bracket kit* (includes panel mount nut)	PS417BP
Panel mount nut*	P78652
Unbalanced, non-relieving	PS428P
Unbalanced, relieving	PS426P
1- 15 psig spring (yellow)	P01176
1- 30 psig spring (black)	P01175
1- 60 psig spring (white)	P01174
2- 125 psig spring (gold)	P01173

*Tighten panel mount nut 2.8 to 3.4 Nm (25 to 30 in-lbs) of torque.

WARNING

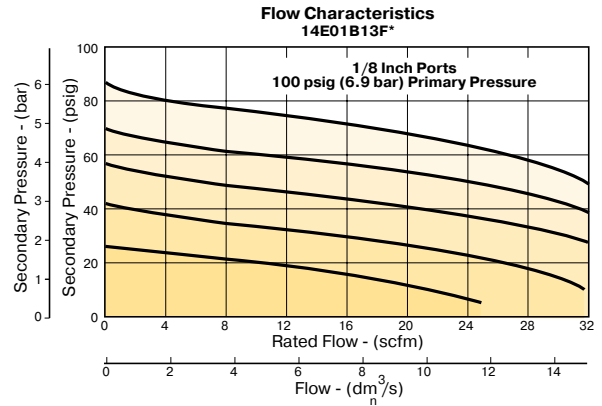
**Product rupture can cause serious injury.
 Do not connect regulator to bottled gas.
 Do not exceed Maximum primary pressure rating.**

CAUTION:

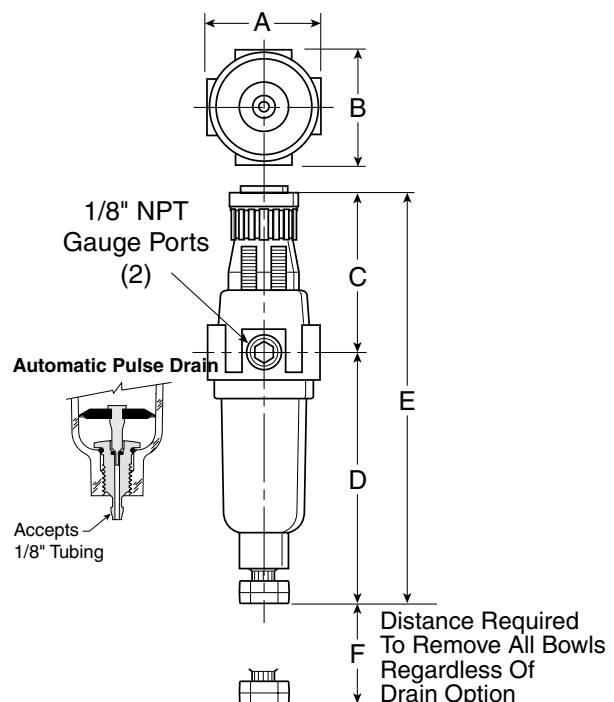
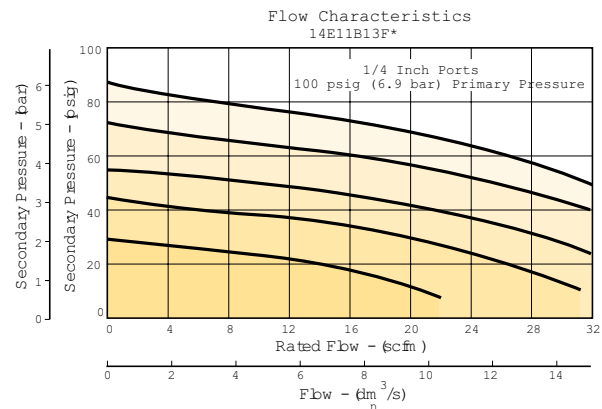
REGULATOR PRESSURE ADJUSTMENT – The working range of knob adjustment is designed to permit outlet pressures within their full range. Pressure adjustment beyond this range is also possible because the knob is not a limiting device. This is a common characteristic of most industrial regulators, and limiting devices may be obtained only by special design. For best performance, regulated pressure should always be set by increasing the pressure up to the desired setting.

Flow Charts

14E 1/8" Filter / Regulator



14E 1/4" Filter / Regulator



04L Mist Lubricators - Miniature

- Proportional oil delivery over a wide range of air flows
- Precision needle valve assures repeatable oil delivery and provides simple adjustment of delivery rate
- Ideal for low and high flow applications with changing air flow
- Transparent sight dome for 360° visibility
- Integral 1/8", 1/4" ports (NPT, BSPP, BSPT)



Port Size	Description †	Part Number
1/8"	Poly Bowl, No Drain	04L00GB
1/8"	Metal Bowl, No Sight Gauge, Twist Drain	04L03GB
1/4"	Poly Bowl, No Drain	04L10GB
1/4"	Metal Bowl, No Sight Gauge, Twist Drain	04L13GB

† For polycarbonate bowl and sight dome, see caution in Engineering Section A.

Operating information

Supply pressure (max):		
Plastic bowl		0 to 150 psig (0 to 10.3 bar)
Metal bowl		0 to 250 psig (0 to 17.2 bar)
Operating temperature:		
Plastic bowl		32°F to 125°F (0°C to 52°C)
Metal bowl		32°F to 175°F (0°C to 80°C)
Flow capacity†:		
High flow	1/8"	20 scfm (9.4 dm ³ /s, ANR)
	1/4"	20 scfm (9.4 dm ³ /s, ANR)
Minimum flow		
		0.5 scfm (0.24 dm ³ /s, ANR) at 100 psig (6.9 bar)
Bowl capacity:		1 oz.
Weight:		0.4 lb (0.18 kg)

† scfm = Standard cubic feet per minute at 90 psig inlet and 5 psig pressure drop.

Ordering Information:

04L	1	0	G	B	 																						
<table border="1"> <tr><th colspan="2">Port Size</th></tr> <tr><td>1/8 inch</td><td>0</td></tr> <tr><td>1/4 inch</td><td>1</td></tr> </table>		Port Size		1/8 inch	0	1/4 inch	1	<table border="1"> <tr><th colspan="2">Bowl Options</th></tr> <tr><td>Poly Bowl, No Drain</td><td>0</td></tr> <tr><td>Poly Bowl, Twist Drain</td><td>1</td></tr> <tr><td>Metal Bowl, No Sight Gauge, Twist Drain</td><td>3</td></tr> </table>		Bowl Options		Poly Bowl, No Drain	0	Poly Bowl, Twist Drain	1	Metal Bowl, No Sight Gauge, Twist Drain	3	<table border="1"> <tr><th colspan="2">Port Type</th></tr> <tr><td>Blank</td><td>NPT</td></tr> <tr><td>1</td><td>BSPP</td></tr> <tr><td>2</td><td>BSPT</td></tr> </table>		Port Type		Blank	NPT	1	BSPP	2	BSPT
Port Size																											
1/8 inch	0																										
1/4 inch	1																										
Bowl Options																											
Poly Bowl, No Drain	0																										
Poly Bowl, Twist Drain	1																										
Metal Bowl, No Sight Gauge, Twist Drain	3																										
Port Type																											
Blank	NPT																										
1	BSPP																										
2	BSPT																										
			<table border="1"> <tr><th colspan="2">Engineering Level</th></tr> <tr><td>B</td><td>Current</td></tr> </table>		Engineering Level		B	Current																			
Engineering Level																											
B	Current																										
			<table border="1"> <tr><th colspan="2">Body</th></tr> <tr><td>G</td><td>No Fill Plug</td></tr> </table>		Body		G	No Fill Plug																			
Body																											
G	No Fill Plug																										

Suggested Lubricant **F442 Oil**
 Petroleum based oil of 100 to 200 SUS viscosity at 100°F (38°C) and an aniline point greater than 200°F (93°C)
 (DO NOT USE OILS WITH ADDITIVES, COMPOUNDED OILS CONTAINING SOLVENTS, GRAPHITE, DETERGENTS, OR SYNTHETIC OILS.)

Most popular.



For inventory, lead times, and kit lookup, visit www.pdnplu.com

Catalog 0700P-8
Miniature Mist Lubricators

Material Specifications

Body	Zinc
Transparent bowls	Polycarbonate
Metal bowl (without sight gauge)	Zinc
Drains, twist – body & nut	Plastic
Seals	Nitrile
Sight dome	Polycarbonate

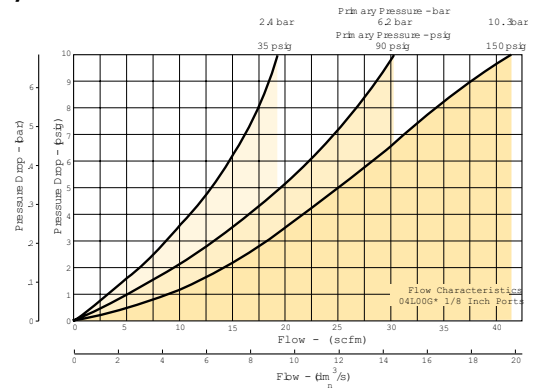
Repair and Service Kits

Poly bowl / no drain kit	PS421P
Poly bowl / twist drain kit	PS420P
Metal bowl / twist drain (no sight gauge) kit	PS447BP
Mounting bracket kit	PS419
Oil (1 quart)	F442001
Oil (1 gallon)	F442002
Oil (12 quart case)	F442003
Oil (4 gallon case)	F442005

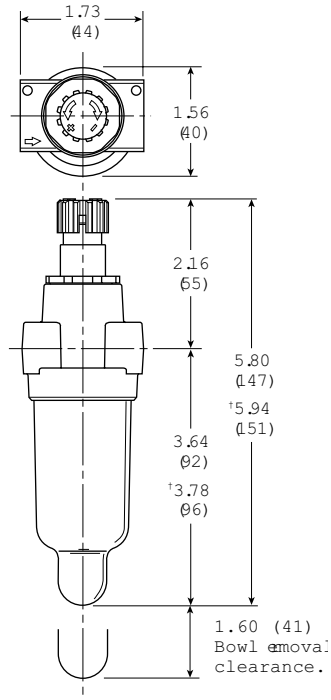
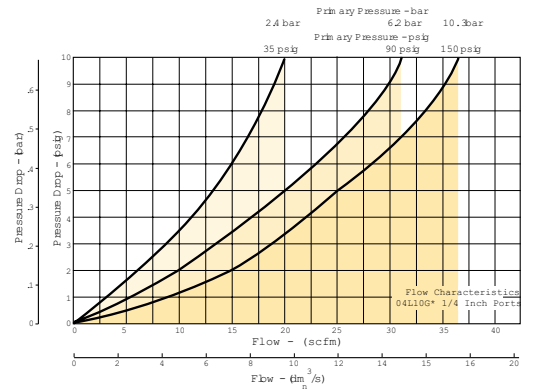
Air Preparation Products
14 Series

Flow Charts

04L 1/8" Lubricator



04L 1/4" Lubricator



Inches (mm)

D
 14 Series Products

Filters

Coalescers

Regulators

Filter /
 Regulators

Lubricators

Combinations



For inventory, lead times, and kit lookup, visit www.pdnplu.com

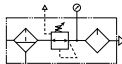
D11

Parker Hannifin Corporation
 Pneumatic Division
 Richland, Michigan
www.parker.com/pneumatics

14A / 14G Close Nipped Combinations - Miniature

Close Nipped Combinations - 14 Miniature Series

- Regulator can be mounted with knob in up or down position
- 5 micron filter element standard, 40 micron optional
- Manual twist drain
- Relieving regulator



Close Nipped Combinations

	Port Size	Bowl Type †	Element Type	Filter Drain Type	Relief Type	Lubricator Drain Type	Part Number (NPT)
14G	1/8"	Poly	5 micron	Twist	Relieving	None	14G01B13F0GD
	1/4"	Poly	5 micron	Twist	Relieving	None	14G11B13F0GD
14A	1/8"	Poly	5 micron	Twist	Relieving	None	14A01B13F0GF
	1/4"	Poly	5 micron	Twist	Relieving	None	14A11B13F0GF

† For polycarbonate bowl, see caution in Engineering Section A.

Ordering Information:

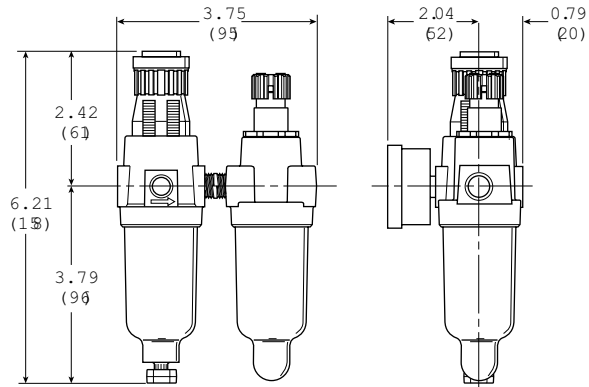
14A	1	1	B	13	F	0	G	*										
Series 3-Unit 14A 2-Unit 14G	Port Size 1/8 inch 0 1/4 inch 1	Filter Bowl Options Poly Bowl, Twist Drain 1 Poly Bowl, Auto Pulse Drain 5 Metal Bowl, Twist Drain 3 Metal Bowl, Auto Pulse Drain 7	Filter Element 40 Micron A 5 Micron B	Pressure Range <table border="1"> <thead> <tr> <th>Without Gauge</th> <th>With Gauge</th> </tr> </thead> <tbody> <tr> <td>10 30 psig</td> <td>15 30 psig</td> </tr> <tr> <td>11 60 psig</td> <td>16 60 psig</td> </tr> <tr> <td>12 15 psig</td> <td>17 15 psig</td> </tr> <tr> <td>13 125 psig</td> <td>18 125 psig</td> </tr> </tbody> </table>	Without Gauge	With Gauge	10 30 psig	15 30 psig	11 60 psig	16 60 psig	12 15 psig	17 15 psig	13 125 psig	18 125 psig	Relief F Relieving G Non-Relieving	Lubricator Bowl Options 0 Poly Bowl, No Drain 1 Poly Bowl, Twist Drain 3 Metal Bowl, Twist Drain	Lubricator Body Options G No Fill Plug	Engineering Level D 14G Current F 14A Current
Without Gauge	With Gauge																	
10 30 psig	15 30 psig																	
11 60 psig	16 60 psig																	
12 15 psig	17 15 psig																	
13 125 psig	18 125 psig																	

Most popular.



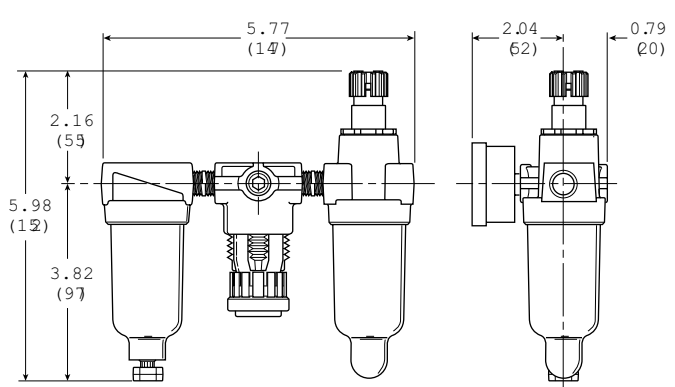
For inventory, lead times, and kit lookup, visit www.pdnplu.com

14G (Close nipped 2-unit)



Inches (mm)

14A (Close nipped 3-unit)



Service kits

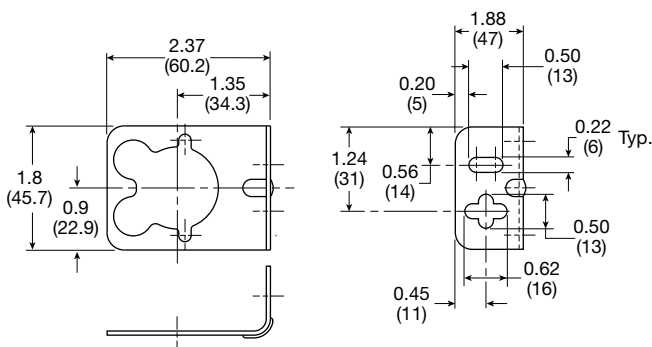
Mounting bracket, 14E, 14F, 14R	PS417BP
Mounting bracket, 04L	PS419

⚠ WARNING

**Product rupture can cause serious injury.
 Do not connect regulator to bottled gas.
 Do not exceed Maximum primary pressure rating.**

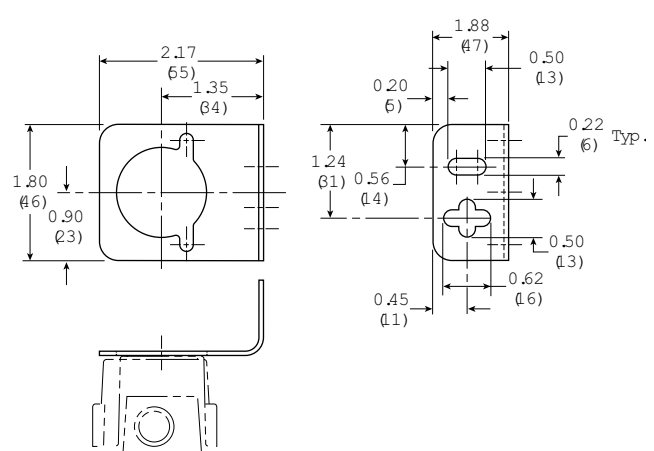
CAUTION:

REGULATOR PRESSURE ADJUSTMENT – The working range of knob adjustment is designed to permit outlet pressures within their full range. Pressure adjustment beyond this range is also possible because the knob is not a limiting device. This is a common characteristic of most industrial regulators, and limiting devices may be obtained only by special design. For best performance, regulated pressure should always be set by increasing the pressure up to the desired setting.



Inches (mm)

PS417BP - 10F, 14F, 14R, 14E
 (Includes panel mount nut)



Inches (mm)

PS419 - 04L

D
14 Series Products
Filters
Coalescers
Regulators
Filter / Regulators
Lubricators
Combinations

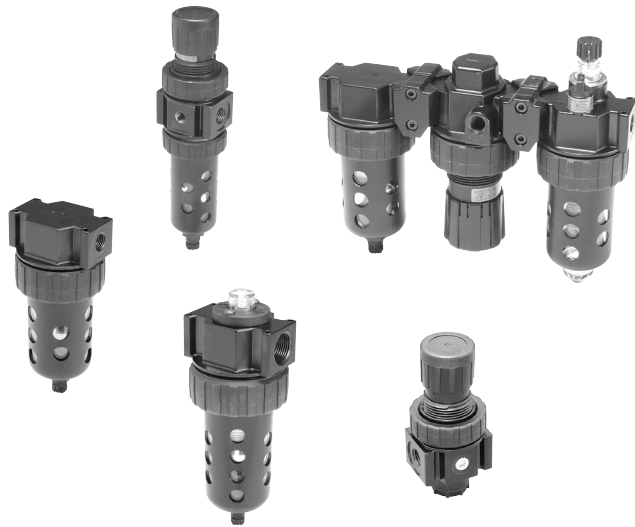
D
14 Series
Products



For inventory, lead times, and kit lookup, visit www.pdnplu.com

D14

Parker Hannifin Corporation
Pneumatic Division
Richland, Michigan
www.parker.com/pneumatics



Air Preparation Products
Prep-Air® II Products

Particulate Filters

05F Economy	E2-E3
06F Compact	E4-E6
07F Standard	E7-E8

Coalescing Filters

15F Economy	E9-E10
11F Compact	E11-E12
12F Standard	E13-E14

Regulators

05R Economy	E15-E16
06R Compact	E17-E18
07R Standard	E19-E20

Pilot Controlled Regulators

11R Economy	E21-E22
12R Standard	E23-E24

Filter / Regulators

05E Economy	E25-E26
06E Compact	E27-E29
07E Standard	E30-E32
12E Coalescing	E33-E34

Lubricators

15L Economy, Micro-Mist	E35-E36
16L Compact, Micro-Mist	E37-E38
17L Standard, Micro-Mist	E39-E40
06L Compact, Mist	E41-E42
07L Standard, Mist	E43-E44

Combinations

06 Compact & 07 Standard, Close Nippled	E45-E46
06 Compact & 07 Standard, Modular	E47-E48
Accessories	E49-E50

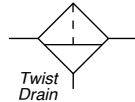
Accessories

Mounting Bracket Kits	E51
-----------------------	-----



05F Particulate Filters - Economy

- Excellent water removal efficiency
- Unique deflector plate and shroud creates a swirling of the air stream ensuring maximum water and dirt separation
- Large filter element surface guarantees low pressure drop and increased element life
- 40 micron filter element standard
- Shown with recommended metal bowl guard
- 1/4" & 3/8" ports (NPT)



Operating information


Supply pressure (max):		
Plastic bowl		0 to 150 psig (0 to 10.3 bar)
Auto pulse drain		10 to 150 psig (0.7 to 10.3 bar)
Operating temperature:		
Plastic bowl		32°F to 125°F (0°C to 52°C)
Flow capacity†:		
High flow	1/4"	54 scfm (25.5 dm³/s, ANR)
	3/8"	70 scfm (33 dm³/s, ANR)
Bowl capacity:		2.0 oz.
Sump capacity:		0.9 oz.
Weight:		1.2 lb (0.54 kg)

† scfm = Standard cubic feet per minute at 90 psig inlet and 5 psig pressure drop.

Ordering Information:

Port Size	Description †	Part Number
1/4"	Poly Bowl, Metal Bowl Guard, Twist Drain, 40 Micron	05F12AA
3/8"	Poly Bowl, Metal Bowl Guard, Twist Drain, 40 Micron	05F22AA

† For polycarbonate bowl and sight dome, see caution in Engineering Section A.

 Most popular.



For inventory, lead times, and kit lookup, visit www.pdnplu.com

Prep-Air® II Products

 Filters
 Coalescers
 Regulators
 Filter / Regulators
 Lubricators
 Combinations
 Accessories

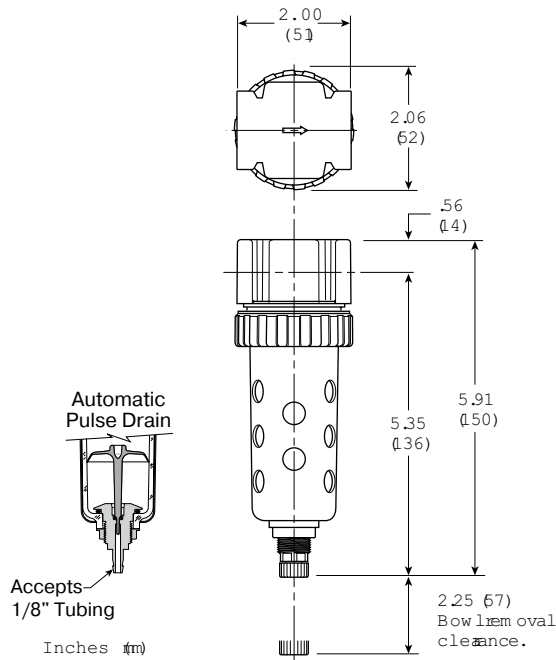
Economy Particulate Filters

Material Specifications

Body	Zinc
Transparent bowl	Polycarbonate
Bowl guards	Steel
Collar	Plastic
Deflector, shroud & baffle	Plastic
Drain	Plastic
Element	Plastic
Adsorber (optional)	Activated charcoal
Seals	Nitrile
Sight gauge (nylon)	Polyamide

Repair and Service Kits

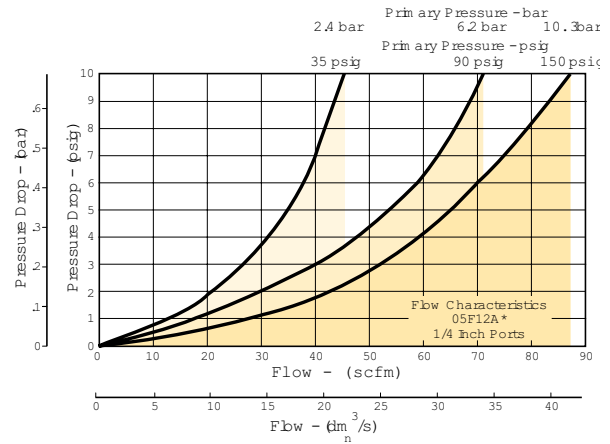
Bowl guard kit	PS905P
Poly bowl / auto pulse drain	PS995P
Poly bowl / twist drain	PS932P
Auto pulse drain	PS998P
Twist drain	PS512P
40 micron element	PS901P
Adsorber	PS931P
Mounting bracket kit	PS943P
Sight gauge kit	PS914P



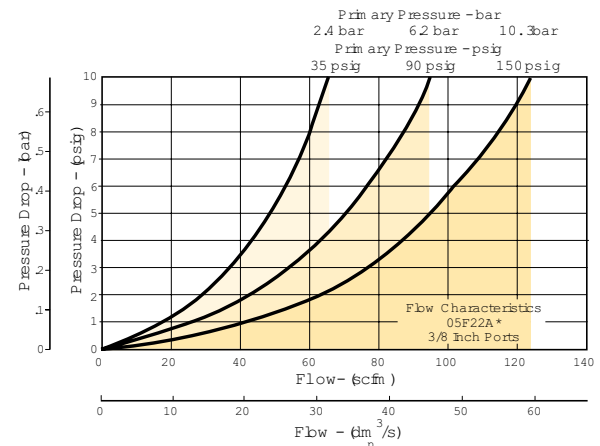
Air Preparation Products Prep-Air® II Series

Flow Charts

05F 1/4" Particulate Filter



05F 3/8" Particulate Filter



Prep-Air® II
Products



Filters

Coalescers

Regulators

Filter /
Regulators

Lubricators

Combinations

Accessories

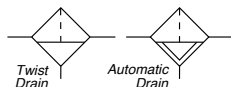


For inventory, lead times, and kit lookup, visit www.pdnplu.com

Compact Particulate Filters

06F Particulate Filters – Compact

- Excellent water removal efficiency
- Unique deflector plate and shroud creates a swirling of the air stream ensuring maximum water and dirt separation
- Large filter element surface guarantees low pressure drop and increased element life
- Optional automatic float drain available
- Shown with recommended metal bowl guard
- 1/4", 3/8", 1/2" ports – NPT



Operating information

Supply pressure (max):		
Without DPI		
Plastic bowl		0 to 150 psig (0 to 10.3 bar)
Metal bowl		0 to 250 psig (0 to 17.2 bar)
With DPI		
Auto float drain		15 to 250 psig (1.0 to 17.2 bar)
Operating temperature:		
Plastic bowl		
		32°F to 125°F (0°C to 52°C)
Metal bowl		
		32°F to 175°F (0°C to 80°C)
With DPI		
		32°F to 125°F (0°C to 52°C)
Flow capacity†:		
High flow		
1/4"	53 scfm (25 dm³/s, ANR)	
3/8"	80 scfm (37.8 dm³/s, ANR)	
1/2"	85 scfm (40.1 dm³/s, ANR)	
Bowl capacity:		
		4.4 oz.
Sump capacity:		
		1.75 oz.
Weight:		
		1.4 lb (0.6 kg)

† scfm = Standard cubic feet per minute at 90 psig inlet and 5 psig pressure drop.
DPI = Differential pressure indicator

Ordering Information:

Port Size	Description †	Part Number
1/4"	Poly Bowl, Metal Bowl Guard, Twist Drain, 40 Micron	06F12AC
1/4"	Poly Bowl, Metal Bowl Guard, Twist Drain, 5 Micron	06F12BC
1/4"	Metal Bowl, Twist Drain, 40 Micron	06F13AC
1/4"	Metal Bowl, Sight Gauge, Twist Drain, 40 Micron	06F14AC
1/4"	Poly Bowl, Metal Bowl Guard, Auto Float Drain, 40 Micron	06F16AC
1/4"	Poly Bowl, Metal Bowl Guard, Auto Float Drain, 5 Micron	06F16BC
1/4"	Metal Bowl, Auto Float Drain, 40 Micron	06F17AC
1/4"	Metal Bowl, Auto Float Drain, 5 Micron	06F17BC
1/4"	Metal Bowl, Sight Gauge, Auto Float Drain, 40 Micron	06F18AC
1/4"	Metal Bowl, Sight Gauge, Auto Float Drain, 5 Micron	06F18BC
3/8"	Poly Bowl, Metal Bowl Guard, Twist Drain, 40 Micron	06F22AC
3/8"	Poly Bowl, Metal Bowl Guard, Twist Drain, 5 Micron	06F22BC

Continued on next page

Prep-Air® II Products

Filters

Coalescers

Regulators

Filter / Regulators

Lubricators

Combinations

Accessories




For inventory, lead times, and kit lookup, visit www.pdnplu.com

Ordering Information cont.:

Port Size	Description †	Part Number
3/8"	Metal Bowl, Sight Gauge, Twist Drain, 5 Micron	06F24BC
3/8"	Poly Bowl, Metal Bowl Guard, Auto Float Drain, 40 Micron	06F26AC
3/8"	Poly Bowl, Metal Bowl Guard, Auto Float Drain, 5 Micron	06F26BC
3/8"	Metal Bowl, Auto Float Drain, 5 Micron	06F27BC
3/8"	Metal Bowl, Sight Gauge, Auto Float Drain, 5 Micron	06F28BC
1/2"	Poly Bowl, Metal Bowl Guard, Twist Drain, 40 Micron	06F32AC
1/2"	Poly Bowl, Metal Bowl Guard, Twist Drain, 5 Micron	06F32BC
1/2"	Metal Bowl, Twist Drain, 40 Micron	06F33AC
1/2"	Metal Bowl, Sight Gauge, Twist Drain, 40 Micron	06F34AC
1/2"	Metal Bowl, Sight Gauge, Twist Drain, 5 Micron	06F34BC
1/2"	Poly Bowl, Metal Bowl Guard, Auto Float Drain, 40 Micron	06F36AC
1/2"	Poly Bowl, Metal Bowl Guard, Auto Float Drain, 5 Micron	06F36BC
1/2"	Metal Bowl, Sight Gauge, Auto Float Drain, 40 Micron	06F38AC
1/2"	Metal Bowl, Sight Gauge, Auto Float Drain, 5 Micron	06F38BC
G3/8	Poly Bowl, Metal Bowl Guard, Twist Drain, 40 Micron	06F22AC1
G1/2"	Poly Bowl, Metal Bowl Guard, Twist Drain, 5 Micron	06F32BC1
G1/2"	Metal Bowl, Sight Gauge, Twist Drain, 5 Micron	06F34BC1

† For polycarbonate bowl and sight dome, see caution in Engineering Section A.

 Most popular.



For inventory, lead times, and kit lookup, visit www.pdnplu.com

Prep-Air® II Products

Filters
Coalescers
Regulators
Filter / Regulators
Lubricators
Combinations
Accessories

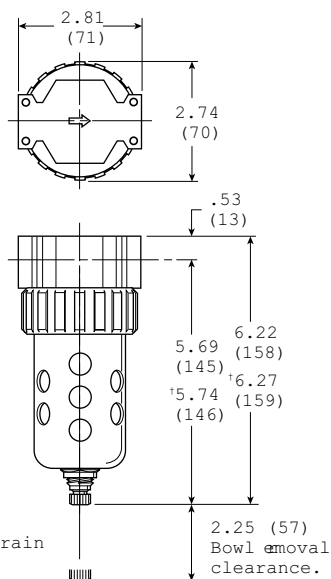
Compact Particulate Filters

Material Specifications

Body	Zinc
Transparent bowl	Polycarbonate
Metal bowl with or without sight gauge	Zinc
Bowl Guards	Steel
Collar	Plastic
Deflector, shroud & baffle	Plastic
Twist drain - body & nut	Plastic
Auto float drain - housing, float	Plastic
Auto float drain - seals	Nitrile
Auto float drain - springs, push rod	Stainless steel
Element	Plastic
Adsorber (optional)	Activated charcoal
Seals	Nitrile
Sight gauge	Polyamide

Repair and Service Kits

Bowl guard kit	PS705P
Poly bowl / auto float drain kit	PS722P
Poly bowl / twist drain kit	PS732P
Metal bowl / auto float drain kit	PS726P
Metal bowl / twist drain kit	PS734P
Metal bowl / sight gauge / auto float drain kit	PS723P
Metal bowl / sight gauge / twist drain kit	PS735P
Auto float drain kit	PS506P
Twist drain kit	PS512P
40 micron element	PS701P
5 micron element	PS702P
Adsorber element	PS731P
Mounting bracket kit	PS743P
Sight gauge kit	PS914P

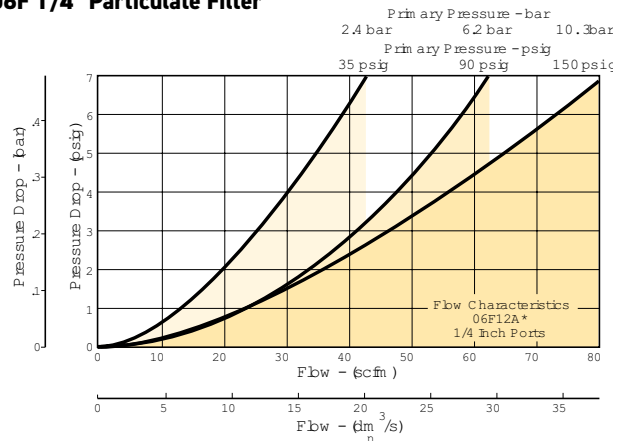


† With auto float drain
Inches (mm)

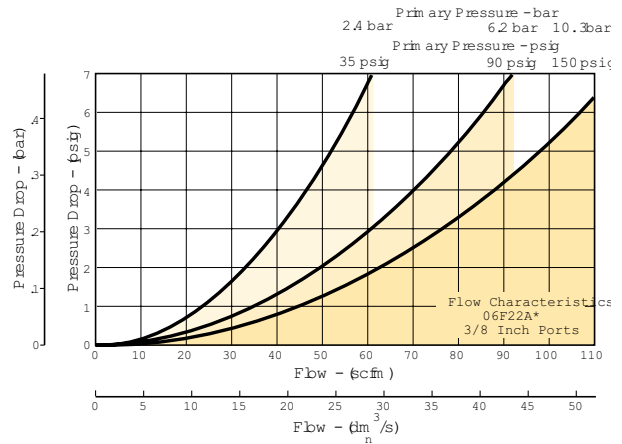
Air Preparation Products Prep-Air® II Series

Flow Charts

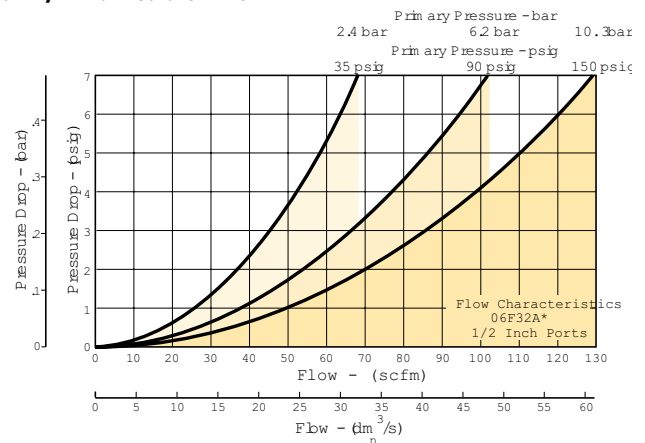
06F 1/4" Particulate Filter



06F 3/8" Particulate Filter

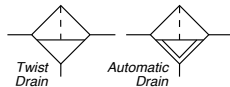


06F 1/2" Particulate Filter



07F Particulate Filters - Standard

- Excellent water removal efficiency
- Unique deflector plate and shroud creates a swirling of the air stream ensuring maximum water and dirt separation
- Large filter element surface guarantees low pressure drop and increased element life
- Optional automatic float drain available
- Shown with recommended metal bowl guard
- 1/2", 3/4" ports – NPT



Prep-Air® II
Products



Filters

Coalescers

Regulators

Filter /
Regulators

Lubricators

Combinations

Accessories

Ordering Information:

Port Size	Description †	Part Number
1/2"	Poly Bowl, Metal Bowl Guard, Twist Drain, 40 Micron	07F32AC
1/2"	Poly Bowl, Metal Bowl Guard, Twist Drain, 5 Micron	07F32BC
1/2"	Metal Bowl, Twist Drain, 40 Micron	07F33AC
1/2"	Metal Bowl, Sight Gauge, Twist Drain, 40 Micron	07F34AC
1/2"	Metal Bowl, Sight Gauge, Twist Drain, 5 Micron	07F34BC
1/2"	Poly Bowl, Metal Bowl Guard, Auto Float Drain, 40 Micron	07F36AC
1/2"	Poly Bowl, Metal Bowl Guard, Auto Float Drain, 5 Micron	07F36BC
1/2"	Metal Bowl, Auto Float Drain, 40 Micron	07F37AC
1/2"	Metal Bowl, Sight Gauge, Auto Float Drain, 40 Micron	07F38AC
1/2"	Metal Bowl, Sight Gauge, Auto Float Drain, 5 Micron	07F38BC
3/4"	Poly Bowl, Metal Bowl Guard, Twist Drain, 40 Micron	07F42AC
3/4"	Poly Bowl, Metal Bowl Guard, Twist Drain, 5 Micron	07F42BC
3/4"	Metal Bowl, Sight Gauge, Twist Drain, 40 Micron	07F44AC
3/4"	Metal Bowl, Sight Gauge, Twist Drain, 5 Micron	07F44BC
3/4"	Poly Bowl, Metal Bowl Guard, Auto Float Drain, 40 Micron	07F46AC
3/4"	Poly Bowl, Metal Bowl Guard, Auto Float Drain, 5 Micron	07F46BC
3/4"	Metal Bowl, Auto Float Drain, 40 Micron	07F47AC
3/4"	Metal Bowl, Sight Gauge, Auto Float Drain, 40 Micron	07F48AC

Operating information	
Supply pressure (max):	
Without DPI	
Plastic bowl	0 to 150 psig (0 to 10.3 bar)
Metal bowl	0 to 250 psig (0 to 17.2 bar)
With DPI	
Auto float drain	0 to 150 psig (0 to 10.3 bar) 15 to 250 psig (1.0 to 17.2 bar)
Operating temperature:	
Plastic bowl	32°F to 125°F (0°C to 52°C)
Metal bowl	32°F to 175°F (0°C to 80°C)
With DPI	32°F to 125°F (0°C to 52°C)
Flow capacity ¹ :	
High flow	1/2" 130 scfm (61.4 dm ³ /s, ANR) 3/4" 145 scfm (68.4 dm ³ /s, ANR)
Bowl capacity:	7.2 oz.
Sump capacity:	2.8 oz.
Weight:	2.2 lb (1.0 kg)
¹ scfm = Standard cubic feet per minute at 90 psig inlet and 5 psig pressure drop.	
DPI = Differential pressure indicator	

Most popular.

†For polycarbonate bowl and sight dome, see caution in Engineering Section A.



For inventory, lead times, and kit lookup, visit www.pdnplu.com

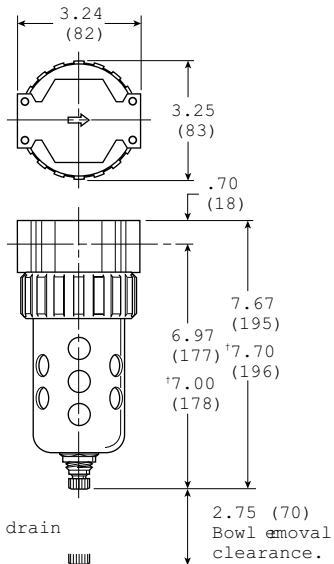
Standard Particulate Filters

Material Specifications

Body	Zinc
Transparent bowl	Polycarbonate
Metal bowl with or without sight gauge	Zinc
Bowl guards	Steel
Collar	Plastic or metal
Deflector, shroud & baffle	Plastic
Twist drain, body & nut	Plastic
Auto float drain – housing, float	Plastic
Auto float drain – seals	Nitrile
Auto float drain – springs, push rod	Stainless steel
Element	Plastic
Adsorber element (optional)	Activated charcoal
Seals	Nitrile
Sight gauge	Polyamide

Repair and Service Kits

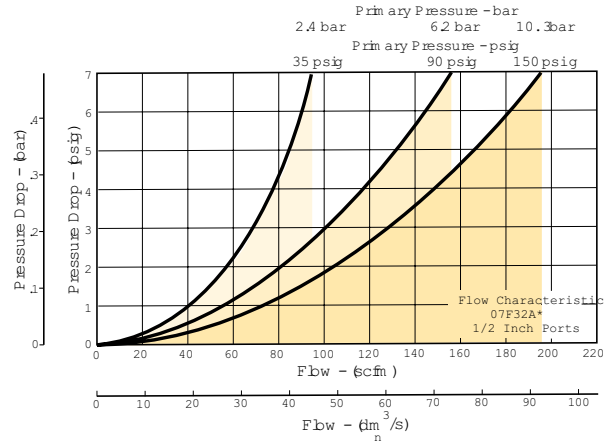
Bowl guard kit	PS805P
Poly bowl / auto float drain kit	PS822P
Poly bowl / twist drain kit	PS832P
Metal bowl / auto float drain kit	PS826P
Metal bowl / twist drain kit	PS834P
Metal bowl / sight gauge / auto drain kit	PS823P
Metal bowl / sight gauge / twist drain kit	PS835P
Auto float drain kit	PS506P
Twist drain kit	PS512P
40 micron element	PS801P
5 micron element	PS802P
Adsorber element	PS831P
Mounting bracket kit	PS843P
Sight gauge kit	PS914P



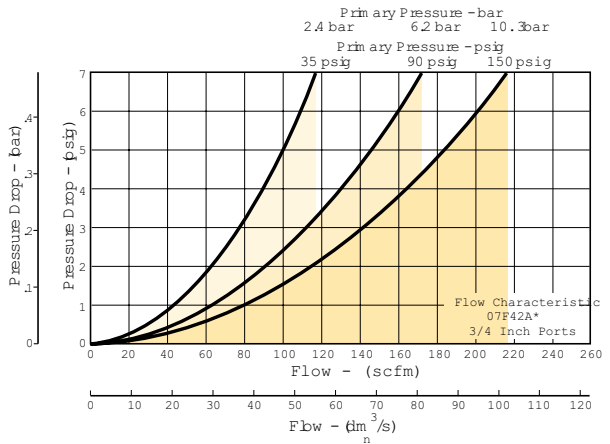
Air Preparation Products Prep-Air® II Series

Flow Charts

07F 1/2" Particulate Filter



07F 3/4" Particulate Filter



Prep-Air® II
Products

Filters

Coalescers

Regulators

Filter /
Regulators

Lubricators

Combinations

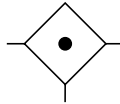
Accessories



For inventory, lead times, and kit lookup, visit www.pdnplu.com

15F Coalescing Filters - Economy

- Removes liquid aerosols and sub-micron particles.
- Liquids gravitate to the bottom of the element and will not re-enter the airstream.
- Oil free air for critical applications, such as air gauging and pneumatic instrumentation and controls.
- Interchangeable twist and automatic pulse drains.
- Differential pressure indicator standard.
- 1/4" & 3/8" ports – (NPT)



Prep-Air® II Products

F

Filters

Coalescers

Regulators

Filter / Regulators

Lubricators

Combinations

Accessories


Operating information

Supply pressure (max):	
Plastic bowl	
Without DPI	0 to 150 psig (0 to 10.3 bar)
With DPI	0 to 150 psig (0 to 10.3 bar)
Auto pulse drain	10 to 150 psig (0.7 to 10.3 bar)
Operating temperature:	
Plastic bowl	32°F to 125°F (0°C to 52°C)
With DPI	32°F to 125°F (0°C to 52°C)
Flow capacity [†] :	Grade 6
	1/8" 30 scfm (14.2 dm ³ /s, ANR)
	1/4" 30 scfm (14.2 dm ³ /s, ANR)
Bowl capacity:	2.0 oz.
Sump capacity:	0.9 oz.
Weight:	1.2 lb (0.54 kg)
[†] scfm = Standard cubic feet per minute at 90 psig inlet and 5 psig pressure drop.	
DPI = Differential pressure indicator	

Ordering Information:

Port Size	Description ‡	Part Number
1/4"	Poly Bowl, Metal Bowl Guard, Twist Drain, Grade 6 (0.01)	15F12EA
3/8"	Poly Bowl, Metal Bowl Guard, Twist Drain, Grade 6 (0.01)	15F22EA

‡ For polycarbonate bowl, see caution in Engineering Section A.

 Most popular.



For inventory, lead times, and kit lookup, visit www.pdnplu.com

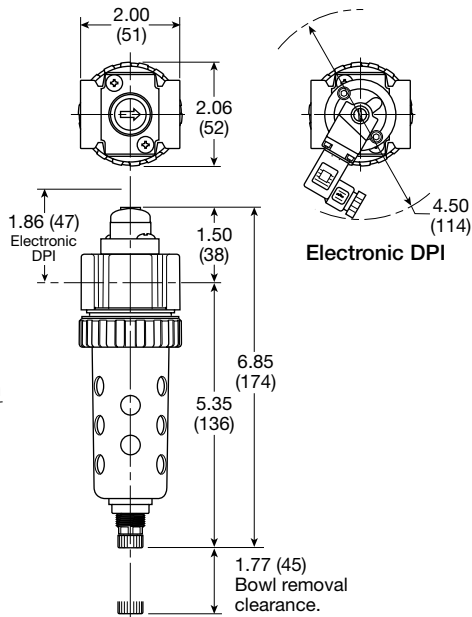
Economy Coalescing Filters

Material Specifications

Body	Zinc
Transparent bowl	Polycarbonate
Bowl guards	Steel
Collar	Plastic
Drain	Plastic
Element	Borosilicate & felt glass fibers
Seals	Nitrile
Sight gauge, DPI	Polyamide (nylon)

Repair and Service Kits

Bowl Guard Kit	PS905P
Poly bowl / automatic pulse drain kit	PS995P
Poly bowl / twist drain kit	PS932P
DPI replacement kit	PS781P
Electronic DPI replacement kit	PS764
Automatic pulse drain kit	PS998P
Twist drain kit	PS512P
Electrical connector: 15mm, 3-pin DIN, 6 ft. cord	PS2932JBP
Filter element kits – Grade 6 (standard)	PS924P
Mounting bracket kit	PS943P
Sight gauge kit	PS914P



Accepts 1/8" Tubing

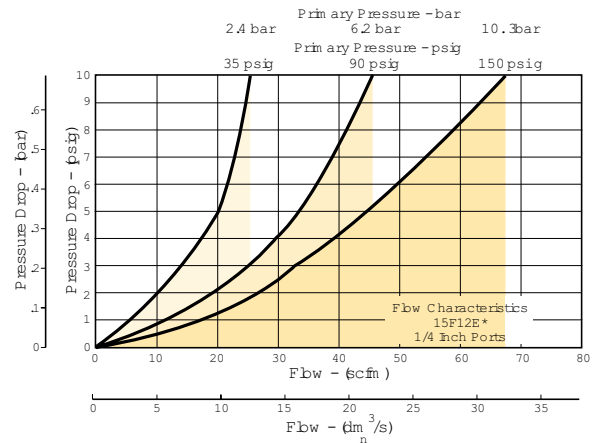
Inches (mm)

Air Preparation Products Prep-Air® II Series

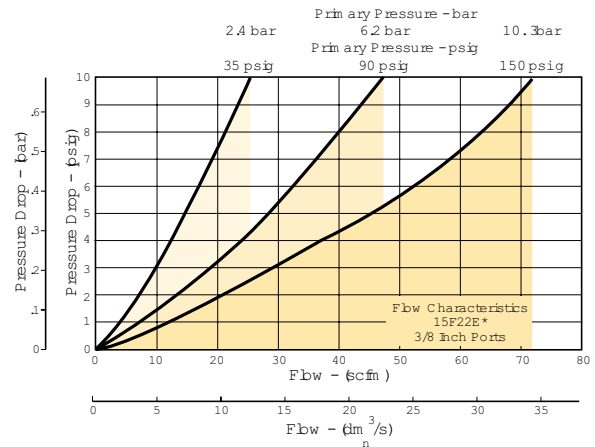
Flow Charts

Grade 6 Element

15F 1/4" Coalescing Filter



15F 3/8" Coalescing Filter



Prep-Air® II
Products

Filters

Coalescers

Regulators

Filter /
Regulators

Lubricators

Combinations

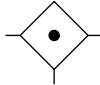
Accessories



For inventory, lead times, and kit lookup, visit www.pdnplu.com

11F Coalescing Filters - Compact

- Removes liquid aerosols and sub-micron particles.
- Liquids gravitate to the bottom of the element and will not re-enter the airstream
- Oil free air for critical applications, such as air gauging and pneumatic instrumentation and controls.
- Interchangeable twist and automatic float drains.
- Differential pressure indicator standard.
- Shown with recommended metal bowl guard.
- 1/4", 3/8", 1/2" ports (NPT)



Operating information

Supply pressure (max):	
Without DPI	
Plastic bowl	0 to 150 psig (0 to 10.3 bar)
Metal bowl	0 to 250 psig (0 to 17.2 bar)
With DPI	
Auto float drain	15 to 250 psig (1.0 to 17.2 bar)
Operating pressure drop:	
Normal	2 psig (0.14 bar)
Max recommended	10 psig (0.7 bar)
(Element should be replaced)	
Minimum recommended flow: 20% nominal rating of element	
Operating temperature:	
Plastic bowl	32°F to 125°F (0°C to 52°C)
Metal bowl	32°F to 175°F (0°C to 80°C)
With DPI	32°F to 125°F (0°C to 52°C)
Flow capacity ¹ :	
Grade 6	1/4" 45 scfm (21 dm ³ /s, ANR)
(0.01 micron)	3/8" 48 scfm (23 dm ³ /s, ANR)
	1/2" 65 scfm (31 dm ³ /s, ANR)
Grade 10	1/4" 60 scfm (28.3 dm ³ /s, ANR)
(1.0 micron)	3/8" 72 scfm (34 dm ³ /s, ANR)
	1/2" 95 scfm (45 dm ³ /s, ANR)
Bowl capacity:	4.4 oz.
Sump capacity:	1.75 oz.
Weight:	1.5 lb (0.7 kg)
¹ scfm = Standard cubic feet per minute at 90 psig inlet and 5 psig pressure drop.	
DPI = Differential pressure indicator	

Ordering Information:

Port Size	Description †	Part Number
1/4"	Poly Bowl, Metal Bowl Guard, Twist Drain, Grade 6 (0.01)	11F12EC
1/4"	Metal Bowl, Twist Drain, Grade 6 (0.01), W/Out Dpi	11F13ECN
1/4"	Metal Bowl, Twist Drain, Grade 10 (1.0), W/Out Dpi	11F13HCN
1/4"	Metal Bowl, Sight Gauge, Twist Drain, Grade 6 (0.01)	11F14EC
1/4"	Poly Bowl, Metal Bowl Guard, Auto Float Drain, Grade 6 (0.01)	11F16EC
1/4"	Metal Bowl, Sight Gauge, Auto Float Drain, Grade 6 (0.01)	11F18EC
3/8"	Poly Bowl, Metal Bowl Guard, Twist Drain, Grade 6 (0.01)	11F22EC
3/8"	Poly Bowl, Metal Bowl Guard, Auto Float Drain, Grade 6 (0.01)	11F26EC
3/8"	Metal Bowl, Auto Float Drain, Grade 6 (0.01)	11F27EC
3/8"	Metal Bowl, Sight Gauge, Auto Float Drain, Grade 6 (0.01)	11F28EC
1/2"	Poly Bowl, Metal Bowl Guard, Twist Drain, Grade 6 (0.01)	11F32EC
1/2"	Metal Bowl, Sight Gauge, Twist Drain, Grade 6 (0.01)	11F34EC
1/2"	Poly Bowl, Metal Bowl Guard, Auto Float Drain, Grade 6 (0.01)	11F36EC
1/2"	Metal Bowl, Auto Float Drain, Grade 6 (0.01)	11F37EC

† For polycarbonate bowl, see caution in Engineering Section A.

Most popular.



For inventory, lead times, and kit lookup, visit www.pdnplu.com



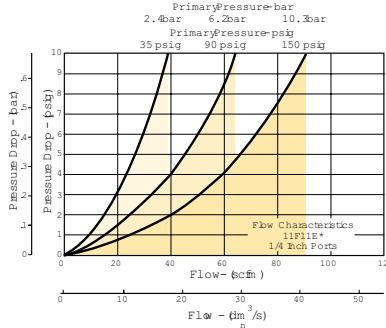
Material Specifications

Body	Zinc
Transparent bowl	Polycarbonate
Metal bowl	Zinc
Bowl guard	Steel
Collar	Plastic
Twist drain, body & nut	Plastic
Automatic float drain, housing, float	Plastic
Automatic float drain, seals	Nitrile
Automatic float drain, springs, push rod	Stainless steel
Element	Borosilicate & felt glass fibers
Seals	Nitrile
Sight gauge	Polyamide

Flow Charts

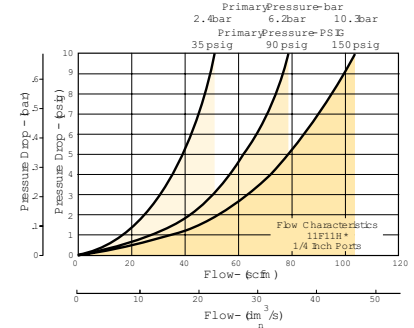
Grade 6

11F 1/4" Coalescing Filter

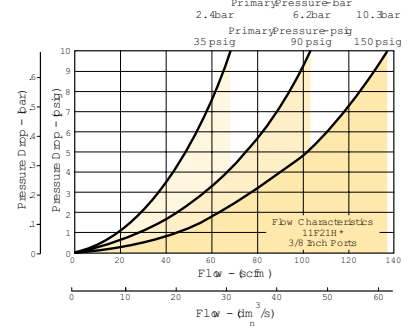
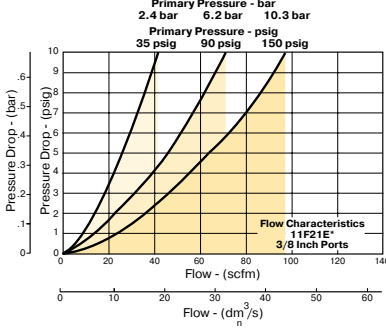


Grade 10

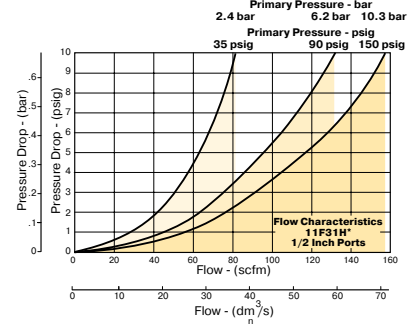
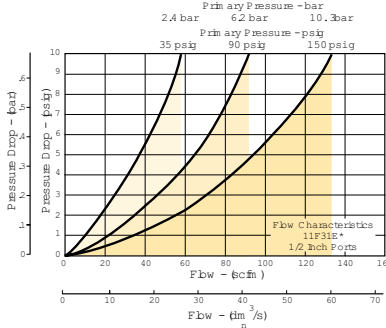
11F 1/4" Coalescing Filter



11F 3/8" Coalescing Filter

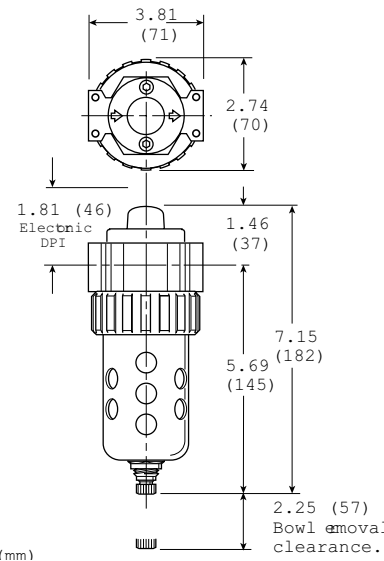


11F 1/2" Coalescing Filter



Repair and Service Kits

Bowl guard kit	PS705P
Poly bowl / automatic float drain kit	PS722P
Poly bowl / twist drain kit	PS732P
Metal bowl / automatic float drain kit	PS726P
Metal bowl / twist drain kit	PS734P
Metal bowl / sight gauge / automatic float drain kit	PS723P
Metal bowl / sight gauge / twist drain kit	PS735P
DPI replacement kit	PS781P
Automatic float drain kit	PS506P
Twist drain kit	PS512P
Electrical connector: 15mm, 3-pin DIN, 6 ft. cord	PS2932JBP
Grade 6 element (standard)	PS724P
Grade 10 element (optional)	PS730P
Mounting bracket kit	PS743P
Sight gauge kit	PS914P



Prep-Air® II
Products



Filters

Coalescers

Regulators

Filter /
Regulators

Lubricators

Combinations

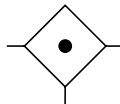
Accessories



For inventory, lead times, and kit lookup, visit www.pdnplu.com

12F Coalescing Filters - Standard

- Removes liquid aerosols and sub-micron particles
- Liquids gravitate to the bottom of the element and will not re-enter the airstream
- Oil free air for critical applications, such as air gauging and pneumatic instrumentation and controls
- Interchangeable twist and automatic float drains
- Differential pressure indicator standard
- Shown with recommended metal bowl guard
- 1/2", 3/4" ports (NPT)



Prep-Air® II
Products



Filters

Coalescers

Regulators

Filter /
Regulators

Lubricators

Combinations

Accessories

Operating information

Supply pressure (max):	
Without DPI	
Plastic bowl	0 to 150 psig (0 to 10.3 bar)
Metal bowl	0 to 250 psig (0 to 17.2 bar)
With DPI	
Auto float drain	0 to 150 psig (0 to 10.3 bar) 15 to 250 psig (1.0 to 17.2 bar)
Operating pressure drop:	
Normal	2 psig (0.14 bar)
Max recommended	10 psig (0.7 bar)
(Element should be replaced)	
Minimum recommended flow:	20% nominal rating of element
Operating temperature:	
Plastic bowl	32°F to 125°F (0°C to 52°C)
Metal bowl	32°F to 175°F (0°C to 80°C)
With DPI	32°F to 125°F (0°C to 52°C)
Flow capacity [†] :	Grade 6 1/2" 75 scfm (35.4 dm ³ /s, ANR) 3/4" 80 scfm (37.7 dm ³ /s, ANR)
	Grade 10 1/2" 125 scfm (59 dm ³ /s, ANR) 3/4" 160 scfm (75.5 dm ³ /s, ANR)
Bowl capacity:	7.2 oz.
Sump capacity:	2.8 oz.
Weight:	2.4 lb (1.1 kg)
[†] scfm = Standard cubic feet per minute at 90 psig inlet and 5 psig pressure drop. DPI = Differential pressure indicator	

Ordering Information:

Port Size	Description †	Part Number
1/2"	Poly Bowl, Metal Bowl Guard, Twist Drain, Grade 6 (0.01)	12F32EC
1/2"	Poly Bowl, Metal Bowl Guard, Twist Drain, Grade 6 (0.01), W/Out Dpi	12F32ECN
1/2"	Poly Bowl, Metal Bowl Guard, Twist Drain, Grade 10 (1.0)	12F32HC
1/2"	Poly Bowl, Metal Bowl Guard, Twist Drain, Grade 10 (1.0), W/Out Dpi	12F32HCN
1/2"	Metal Bowl, Sight Gauge, Twist Drain, Grade 6 (0.01)	12F34EC
1/2"	Metal Bowl, Sight Gauge, Twist Drain, Grade 6 (0.01), W/Out Dpi	12F34ECN
1/2"	Poly Bowl, Metal Bowl Guard, Auto Float Drain, Grade 6 (0.01)	12F36EC
1/2"	Poly Bowl, Metal Bowl Guard, Auto Float Drain, Grade 6 (0.01), W/Out Dpi	12F36ECN
1/2"	Metal Bowl, Sight Gauge, Auto Float Drain, Grade 6 (0.01)	12F38EC
1/2"	Metal Bowl, Sight Gauge, Auto Float Drain, Grade 10 (1.0)	12F38HC
3/4"	Poly Bowl, Metal Bowl Guard, Twist Drain, Grade 6 (0.01)	12F42EC
3/4"	Poly Bowl, Metal Bowl Guard, Auto Float Drain, Grade 6 (0.01)	12F46EC
3/4"	Metal Bowl, Auto Float Drain, Grade 10 (1.0)	12F47HC
3/4"	Metal Bowl, Sight Gauge, Auto Float Drain, Grade 6 (0.01)	12F48EC

† For polycarbonate bowl, see caution in Engineering Section A.

Most popular.



For inventory, lead times, and kit lookup, visit www.pdnplu.com

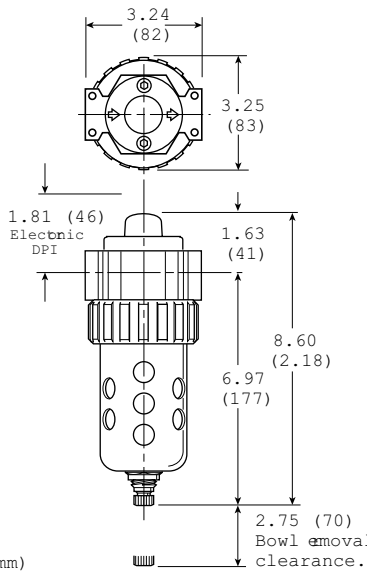
Standard Coalescing Filters

Material Specifications

Body	Zinc
Transparent bowl	Polycarbonate
Metal bowl with or without sight gauge	Zinc
Bowl guard	Steel
Collar	Plastic or metal
Twist drain, body & nut	Plastic
Automatic float drain, housing, float	Plastic
Automatic float drain, seals	Nitrile
Automatic float drain, springs, push rod	Stainless steel
Element	Borosilicate & felt glass fibers
Seals	Nitrile
Sight gauge	Polyamide

Repair and Service Kits

Bowl guard kit	PS805P
Poly bowl / automatic float drain kit	PS822P
Poly bowl / twist drain kit	PS832P
Metal bowl / automatic float drain kit	PS826P
Metal bowl / twist drain kit	PS834P
Metal bowl / sight gauge / automatic float drain kit	PS823P
Metal bowl / sight gauge / twist drain kit	PS835P
DPI replacement kit	PS781P
Automatic float drain kit	PS506P
Twist drain kit	PS512P
Electrical connector: 15mm, 3-pin DIN, 6 ft. cord	PS2932JBP
Grade 6 element (standard)	PS824P
Grade 10 element (optional)	PS830P
Mounting bracket kit	PS843P
Sight gauge kit	PS914P



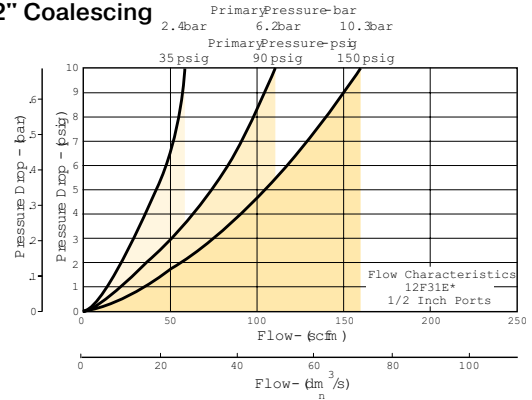
Inches (mm)

Air Preparation Products Prep-Air® II Series

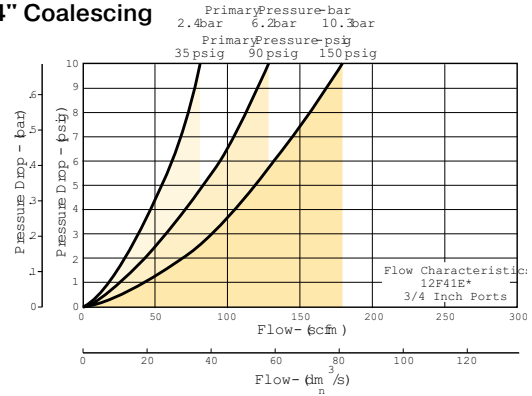
Flow Charts

Grade 6 Element

12F 1/2" Coalescing Filter

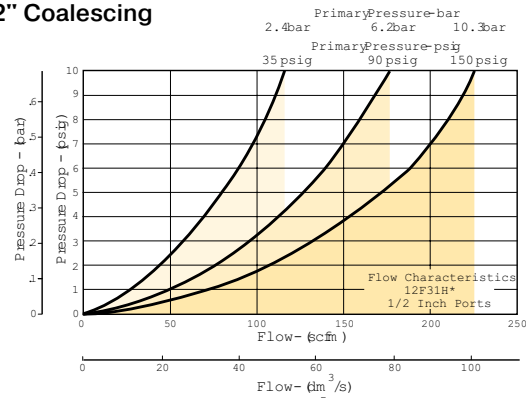


12F 3/4" Coalescing Filter

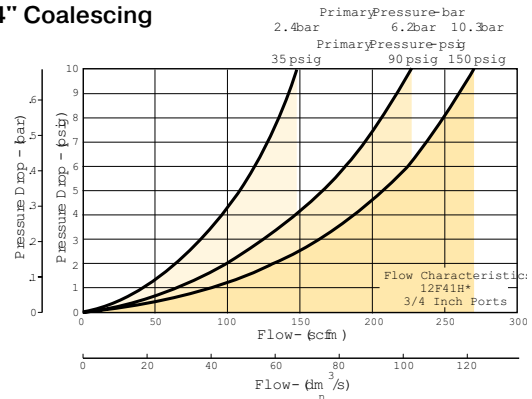


Grade 10 Element

12F 1/2" Coalescing Filter



12F 3/4" Coalescing Filter



Prep-Air® II
Products

Filters

Coalescers

Regulators

Filter /
Regulators

Lubricators

Combinations

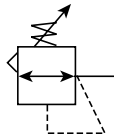
Accessories



For inventory, lead times, and kit lookup, visit www.pdnplu.com

05R Regulators - Economy

- Secondary aspiration plus balanced poppet provides quick response and accurate pressure regulation
- Rolling diaphragm for extended life
- Removable non-rising knob for panel mounting and tamper resistance
- Easily serviced
- Reverse flow
- 1/4", 3/8" ports (NPT)



Operating information

Supply pressure (max):	0 to 300 psig (0 to 20.7 bar)	
	For secondary pressure ranges see charts next page.	
Operating temperature:	32°F to 175°F (0°C to 80°C)	
Flow capacity†:		
High flow	1/4"	30 scfm (14.2 dm³/s, ANR)
	3/8"	40 scfm (18.9 dm³/s, ANR)
Gauge ports (2):	1/4 inch	
Weight:	1.1 lb (0.49 kg)	

† scfm = Standard cubic feet per minute at 100 psig inlet, 90 psig no flow secondary setting and 10 psig pressure drop.

Ordering Information:

Port Size	Description	Part Number
1/4"	2-125 psi w/out Gauge, Relieving	05R113AD
1/4"	2-200 psi w/out Gauge, Relieving	05R114AD
3/8"	2-125 psi w/out Gauge, Relieving	05R213AD
3/8"	2-200 psi w/out Gauge, Relieving	05R214AD

NOTE: 1.53 Dia. (39 mm) hole required for panel mounting.

Most popular.



For inventory, lead times, and kit lookup, visit www.pdnplu.com

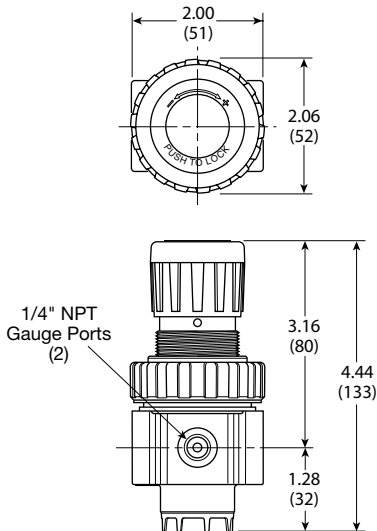


Material Specifications

Adjusting stem	Brass
Bonnet	Plastic
Body	Zinc
Collar, Knob	Plastic
Diaphragm	Nitrile
Poppet & cap	Plastic
Seals	Nitrile
Springs – poppet & control	Steel

Repair and Service Kits

Bonnet assembly kit	PS915P
Control knob	P04420
1- 1/2" dial face 30 psig (0 to 2.1 bar), gauge	K4515N14030
1- 1/2" dial face 60 psig (0 to 4.1 bar), gauge	K4515N14060
1- 1/2" dial face 160 psig (0 to 11.0 bar), gauge	K4515N14160
1- 1/2" dial face 300 psig (0 to 20.7 bar), gauge	K4515N14300
2" dial face 60 psig (0 to 4.1 bar), gauge	K4520N14060
2" dial face 160 psig (0 to 11.0 bar), gauge	K4520N14160
2" dial face 300 psig (0 to 20.7 bar), gauge	K4520N14300
Mounting bracket kit	PS963P
Panel mount nut – metal	PS964P
1-30 psig spring	P04427
1-60 psig spring	P04426
2- 125 psig spring	P04425
2-200 psig spring	P02934
Relieving service kit	PS908P

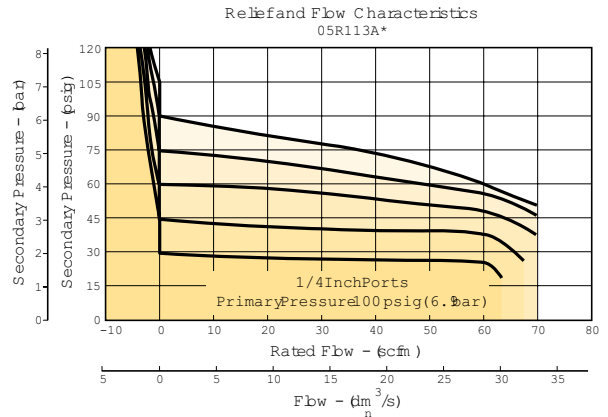


Inches (mm)

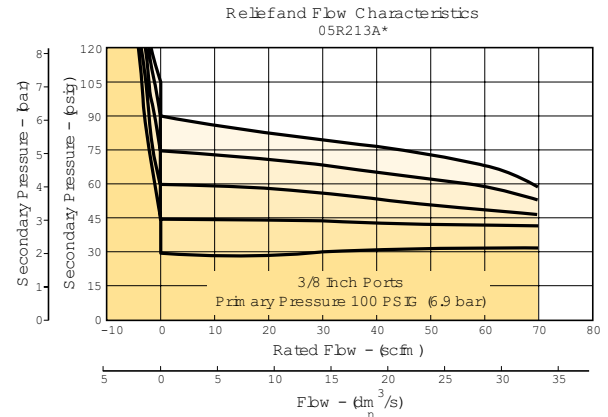
Air Preparation Products
Prep-Air® II Series

Flow Charts

05R 1/4" Regulator



05R 3/8" Regulator



WARNING
 Product rupture can cause serious injury.
 Do not connect regulator to bottled gas.
 Do not exceed Maximum primary pressure rating.

CAUTION:
REGULATOR PRESSURE ADJUSTMENT – The working range of knob adjustment is designed to permit outlet pressures within their full range. Pressure adjustment beyond this range is also possible because the knob is not a limiting device. This is a common characteristic of most industrial regulators, and limiting devices may be obtained only by special design. For best performance, regulated pressure should always be set by increasing the pressure up to the desired setting.

Prep-Air® II
 Products

Filters

Coalescers

Regulators

Filter /
 Regulators

Lubricators

Combinations

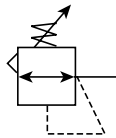
Accessories



For inventory, lead times, and kit lookup, visit www.pdnplu.com

06R Regulators - Compact

- Secondary aspiration plus balanced poppet provides quick response and accurate pressure regulation
- Rolling diaphragm for extended life
- Two high flow 1/4" gauge ports can be used as additional outlets
- Easily serviced
- Removable non-rising knob for panel mounting and tamper resistance
- 1/4", 3/8", 1/2" ports (NPT)



Operating information

Supply pressure (max):	250 psig (17.2 bar)	
Secondary pressure ranges:		
Standard	2 to 125 psig (0 to 8.6 bar)	
Low	1 to 60 psig (0 to 4.1 bar)	
High	5 to 250 psig (0.4 to 17.2 bar)	
Operating temperature:	32°F to 175°F (0°C to 80°C)	
Flow capacity†:		
High flow	1/4"	53 scfm (25 dm³/s, ANR)
	3/8"	60 scfm (28.3 dm³/s, ANR)
	1/2"	75 scfm (35.4 dm³/s, ANR)
Gauge ports (2):	1/4 inch (can be used as additional full flow 1/4 inch outlet ports)	
Weight:	1.6 lb (0.7 kg)	

† scfm = Standard cubic feet per minute at 100 psig inlet, 90 psig no flow secondary setting and 10 psig pressure drop.

Ordering Information:

Port Size	Description	Part Number
1/4"	2- 125 psi w/out Gauge, Relieving	06R113AC
1/4"	2- 125 psi with Gauge, Relieving	06R118AC
3/8"	2- 125 psi w/out Gauge, Relieving	06R213AC
3/8"	2- 125 psi with Gauge, Relieving	06R218AC
1/2"	2- 125 psi w/out Gauge, Relieving	06R313AC
1/2"	2- 125 psi with Gauge, Relieving	06R318AC
1/4"	5-250 psi w/out Gauge, Relieving	06R115AC
3/8"	5-250 psi w/out Gauge, Relieving	06R215AC
1/2"	5-250 psi w/out Gauge, Relieving	06R315AC

NOTE: 2.0 Dia. (51 mm) hole required for panel mounting.

Most popular.



For inventory, lead times, and kit lookup, visit www.pdnplu.com

E17

Parker Hannifin Corporation
 Pneumatic Division
 Richland, Michigan
www.parker.com/pneumatics

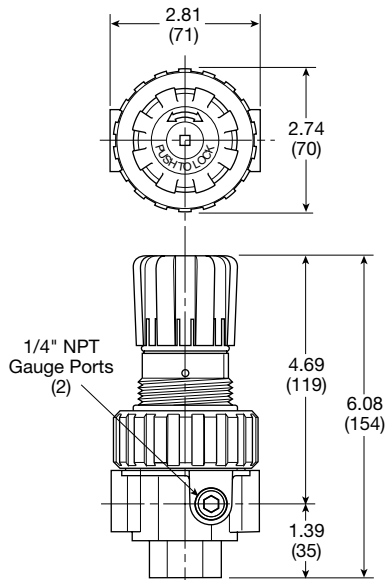


Material Specifications

Adjusting stem	Steel
Body	Zinc
Bonnet, piston stem, valve poppet & cap	Plastic
Collar, knob	Plastic
Diaphragm	Nitrile
Seals	Nitrile
Spring, poppet	Stainless
Spring, control	Steel

Repair and Service Kits

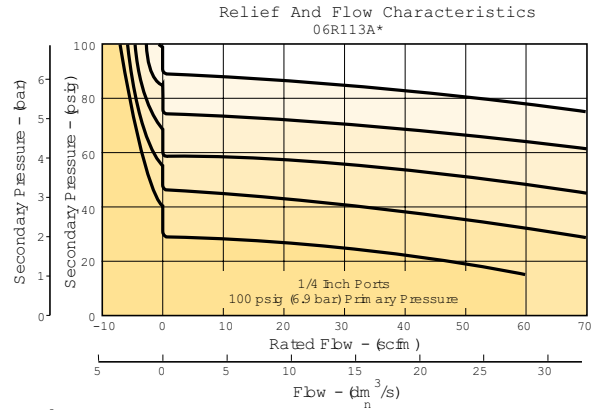
Bonnet assembly kit	PS715P
Control knob	P04069B
2" dial face 60 psig (0 to 4.1 bar), gauge	K4520N14060
2" dial face 160 psig (0 to 11.0 bar), gauge	K4520N14160
2" dial face 300 psig (0 to 20.7 bar), gauge	K4520N14300
1-3/4" digital round face 160 psig (0 to 11.0 bar) gauge	K4517N14160D
Mounting bracket kit (includes panel mount nut)	PS707P
Panel mount nut, plastic	P04082
Panel mount nut, metal	P04079B
Reverse flow service conversion kit, relieving	PS708RP
Relieving (includes poppet)	PS708P
Non-relieving (includes poppet)	PS709P
1-30 psig spring	P01698
1-60 psig spring	P04062
2-125 psig spring	P04063
5-250 psig spring	P04064
Tamperproof kit	PS737P



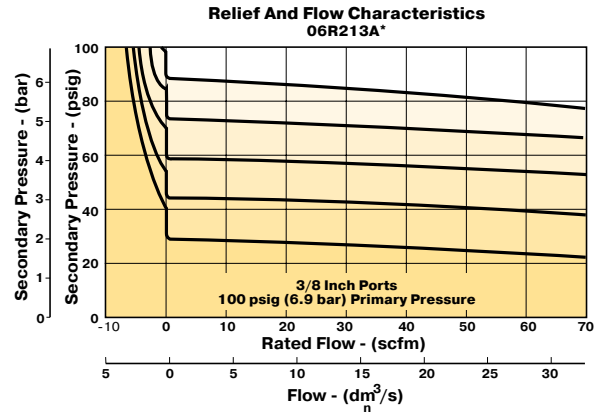
Inches (mm)

Flow Charts

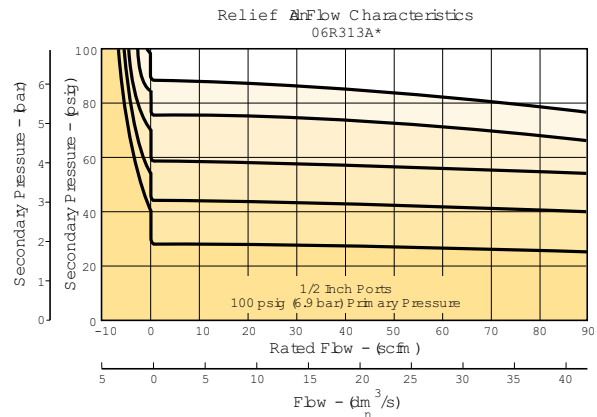
06R 1/4" Regulator



06R 3/8" Regulator



06R 1/2" Regulator



WARNING

Product rupture can cause serious injury.
 Do not connect regulator to bottled gas.
 Do not exceed Maximum primary pressure rating.

CAUTION:

REGULATOR PRESSURE ADJUSTMENT – The working range of knob adjustment is designed to permit outlet pressures within their full range. Pressure adjustment beyond this range is also possible because the knob is not a limiting device. This is a common characteristic of most industrial regulators, and limiting devices may be obtained only by special design. For best performance, regulated pressure should always be set by increasing the pressure up to the desired setting.

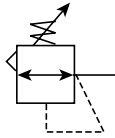


For inventory, lead times, and kit lookup, visit www.pdnplu.com

Products
 Prep-Air® II
 Filters
 Coalescers
 Regulators
 Filter / Regulators
 Lubricators
 Combinations
 Accessories

07R Regulators - Standard

- Secondary aspiration plus balanced poppet provides quick response and accurate pressure regulation
- Rolling diaphragm for extended life
- Two high flow 1/4" gauge ports can be used as additional outlets
- Easily serviced
- Removable non-rising knob for panel mounting and tamper resistance
- 1/2", 3/4" ports (NPT)



Operating information

Supply pressure (max):	250 psig (17.2 bar)	
Secondary pressure ranges:		
Standard	2 to 125 psig (0 to 8.6 bar)	
Low	1 to 60 psig (0 to 4.1 bar)	
High	5 to 250 psig (0.4 to 17.2 bar)	
Operating temperature:	32°F to 175°F (0°C to 80°C)	
Flow capacity [†] :		
High flow	1/2"	90 scfm (42.5 dm ³ /s, ANR)
	3/4"	90 scfm (42.5 dm ³ /s, ANR)
Gauge ports (2):	1/4 inch (can be used as additional full flow 1/4 inch outlet ports)	
Weight:	2.5 lb (1.1 kg)	

[†] scfm = Standard cubic feet per minute at 100 psig inlet, 90 psig no flow secondary setting and 10 psig pressure drop.

Ordering Information:

Port Size	Description	Part Number
1/2"	2- 125 psi w/out Gauge, Relieving	07R313AC
1/2"	5-250 psi w/ out Gauge, Relieving	07R315AC
1/2"	2- 125 psi w/ Gauge, Relieving	07R318AC
1/2"	5-250 psi with Gauge, Relieving	07R321AC
3/4"	2- 125 psi w/out Gauge, Relieving	07R413AC
3/4"	5-250 psi w/out Gauge, Relieving	07R415AC
3/4"	2- 125 psi w/ Gauge, Relieving	07R418AC
G1/2"	2- 125 psi w/out Gauge, Relieving	07R313AC1
G3/4"	2- 125 psi w/ Gauge, Relieving	07R418AC1

NOTE: 2.0 Dia. (51 mm) hole required for panel mounting.

Most popular.



For inventory, lead times, and kit lookup, visit www.pdnplu.com

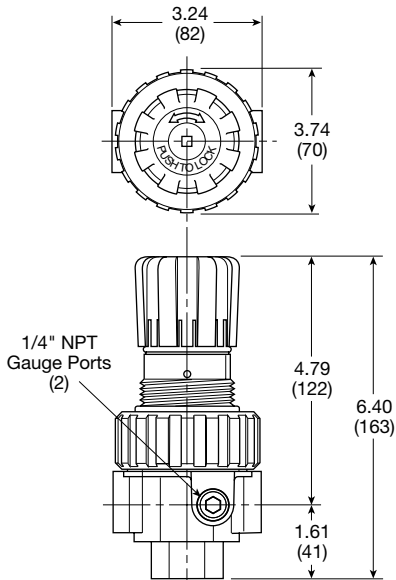


Material Specifications

Adjusting stem	Steel
Body	Zinc
Bonnet, piston stem, valve poppet & cap	Plastic
Collar, knob	Plastic
Diaphragm	Nitrile
Seals	Nitrile
Spring, poppet	Stainless
Spring, control	Steel

Repair and Service Kits

Bonnet assembly kit	PS715P
Control knob	P04069B
2" dial face 60 psig (0 to 4.1 bar), gauge	K4520N14060
2" dial face 160 psig (0 to 11.0 bar), gauge	K4520N14160
2" dial face 300 psig (0 to 20.7 bar), gauge	K4520N14300
1-3/4" digital round face 160 psig (0 to 11.0 bar), gauge	K4517N14160D
Mounting bracket kit (includes panel mount nut)	PS807P
Panel mount nut, plastic	P04082
Panel Mount nut, metal	P04079B
Reverse flow service conversion kit, relieving	PS808RP
Relieving (includes poppet)	PS808P
Non-relieving (includes poppet)	PS809P
1-30 psig spring	P01698
1-60 psig spring	P04062
2-125 psig spring	P04063
5-250 psig spring	P04064
Tamperproof kit	PS737P

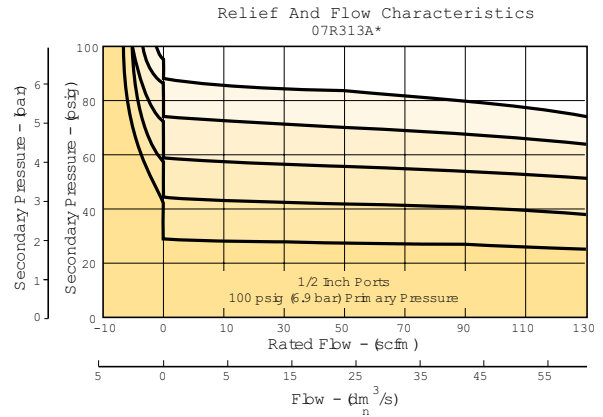


Inches (mm)

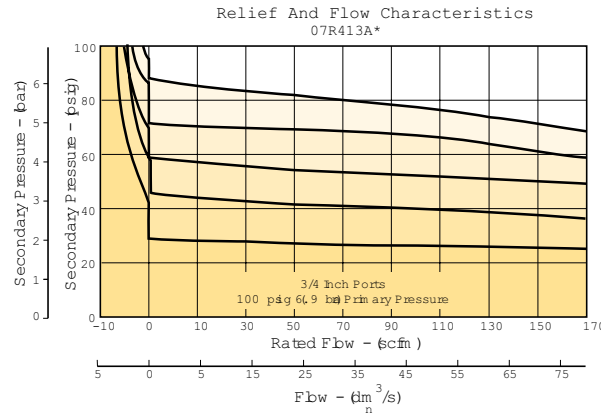
Air Preparation Products
Prep-Air® II Series

Flow Charts

07R 1/2" Regulator



07R 3/4" Regulator



⚠ WARNING

**Product rupture can cause serious injury.
 Do not connect regulator to bottled gas.
 Do not exceed Maximum primary pressure rating.**

CAUTION:

REGULATOR PRESSURE ADJUSTMENT – The working range of knob adjustment is designed to permit outlet pressures within their full range. Pressure adjustment beyond this range is also possible because the knob is not a limiting device. This is a common characteristic of most industrial regulators, and limiting devices may be obtained only by special design. For best performance, regulated pressure should always be set by increasing the pressure up to the desired setting.

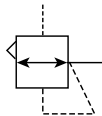


For inventory, lead times, and kit lookup, visit www.pdnplu.com

Prep-Air® II Products
Filters
Coalescers
Regulators
Filter / Regulators
Lubricators
Combinations
Accessories

11R Pilot Controlled Regulator - Compact

- Balanced poppet provides quick response and accurate pressure regulation
- Pilot controlled regulators can be mounted “out of reach” with pilot regulator installed in a convenient location
- Solid control piston for extended life
- Two full flow 1/4” gauge ports can be used as additional outlets
- Pilot port 1/4 Inch
- 1/4”, 3/8”, 1/2” ports (NPT)



Operating information

Supply pressure (max):	0 to 250 psig (0 to 17.2 bar)	
Operating temperature:	32°F to 175°F (0°C to 80°C)	
Flow capacity ¹ :		
High flow	1/4"	85 scfm (40 dm ³ /s, ANR)
	3/8"	95 scfm (44.8 dm ³ /s, ANR)
	1/2"	95 scfm (44.8 dm ³ /s, ANR)
Gauge ports (2):	1/4 inch (can be used as additional full flow 1/4 inch outlet ports)	
Weight:	1.3 lb (0.53 kg)	
¹ scfm = Standard cubic feet per minute at 100 psig inlet, 90 psig no flow secondary setting and 10 psig pressure drop.		

Ordering Information:

Port Size	Description	Part Number
1/4"	5-250 psi w/out Gauge, Relieving, Pilot Operated	11R115PC
3/8"	5-250 psi w/out Gauge, Relieving, Pilot Operated	11R215PC
1/2"	5-250 psi w/out Gauge, Relieving, Pilot Operated	11R315PC

NOTE: 2.0 Dia. (51 mm) hole required for panel mounting.

 Most popular.



For inventory, lead times, and kit lookup, visit www.pdnplu.com



Compact Pilot Controlled Regulators

Material Specifications

Body & pilot cap	Zinc
Piston, valve poppet, & collar	Plastic
Seals	Nitrile
Springs	Steel

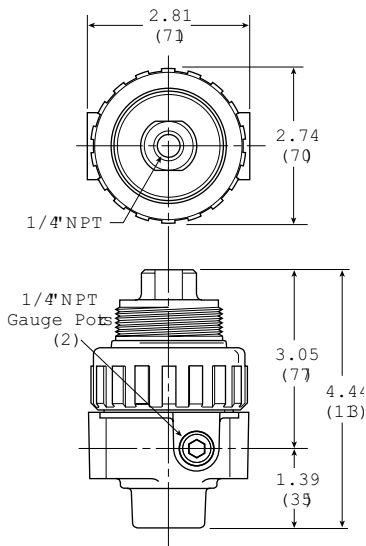
Repair and Service Kits

Seat Insert kit	PS713P
2" dial face 60 psig (0 to 4.1 bar), gauge	K4520N14060
2" dial face 160 psig (0 to 11.0 bar), gauge	K4520N14160
2" dial face 300 psig (0 to 20.7 bar), gauge	K4520N14300

1-3/4" digital round face
160 psig (0 to 11.0 bar), gauge

K4517N14160D

Mounting bracket kit (includes panel mount nut)	PS707P
Panel mount nut, plastic	P04082
Panel mount nut, metal	P04079B
Pilot conversion kit – relieving	PS745P
Non-Relieving	PS747P
Relieving	PS749P

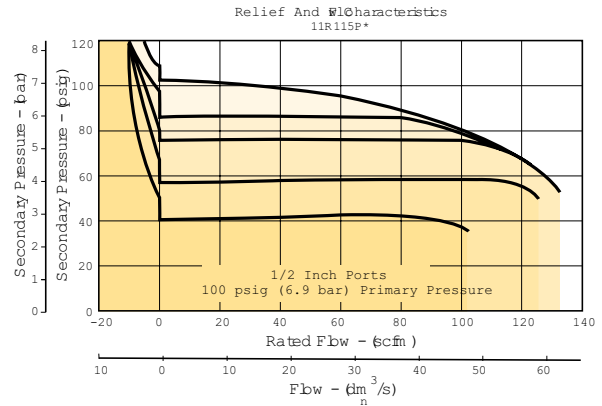


Inches (mm)

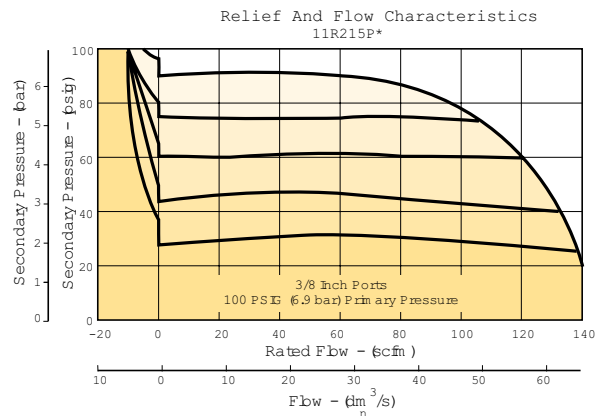
Air Preparation Products Prep-Air® II Series

Flow Charts

11R 1/2" Regulator



11R 3/8" Regulator

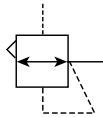


WARNING

Product rupture can cause serious injury.
Do not connect regulator to bottled gas.
Do not exceed Maximum primary pressure rating.

12R Pilot Controlled Regulator - Standard

- Balanced poppet provides quick response and accurate pressure regulation
- Pilot controlled regulators can be mounted “out of reach” with pilot regulator installed in a convenient location
- Solid control piston for extended life
- Two full flow 1/4" gauge ports can be used as additional outlets
- Pilot port 1/4 Inch
- 1/2", 3/4" ports (NPT)



Prep-Air® II
Products



Filters

Coalescers

Regulators

Filter /
Regulators

Lubricators

Combinations

Accessories


Operating information

Supply pressure (max):	0 to 250 psig (0 to 17.2 bar)	
Operating temperature:	32°F to 175°F (0°C to 80°C)	
Flow capacity†:		
High flow	1/2"	140 scfm (66 dm³/s, ANR)
	3/4"	140 scfm (66 dm³/s, ANR)
Gauge ports (2):	1/4 inch (can be used as additional full flow 1/4 inch outlet ports)	
Weight:	2.0 lb (0.91 kg)	
† scfm = Standard cubic feet per minute at 100 psig inlet, 90 psig no flow secondary setting and 10 psig pressure drop.		

Ordering Information:

Port Size	Description	Part Number
1/2"	5-250 psi w/out Gauge, Relieving, Pilot Operated	12R215PB
3/4"	5-250 psi w/out Gauge, Relieving, Pilot Operated	12R415PB

NOTE: 2.0 Dia. (51 mm) hole required for panel mounting.

 Most popular.



For inventory, lead times, and kit lookup, visit www.pdnplu.com

Material Specifications

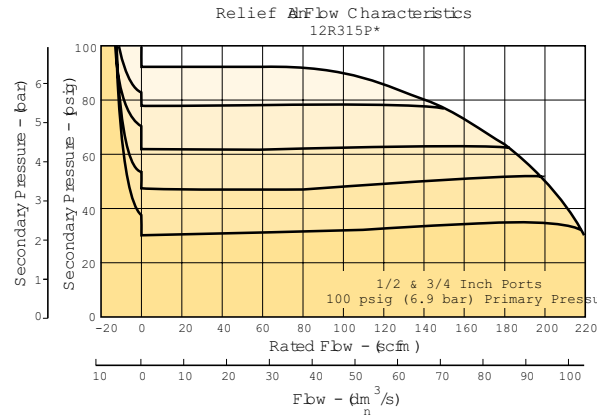
Body & pilot cap	Zinc
Piston, valve poppet, & collar	Plastic
Seals	Nitrile
Springs	Steel

Repair and Service Kits

Seat insert kit	PS813P
2" dial face 60 psig (0 to 4.1 bar)	K4520N14060
2" dial face 160 psig (0 to 11.0 bar)	K4520N14160
2" dial face 300 psig (0 to 20.7 bar)	K4520N14300
1-3/4" digital round face 160 psig (0 to 11.0 bar)	K4517N14160D
Mounting bracket kit (includes panel mount nut)	PS807P
Panel mount nut, plastic	P04082
Panel mount nut, metal	P04079B
Pilot conversion kit – relieving	PS745P
Non-relieving	PS847P
Relieving	PS849P

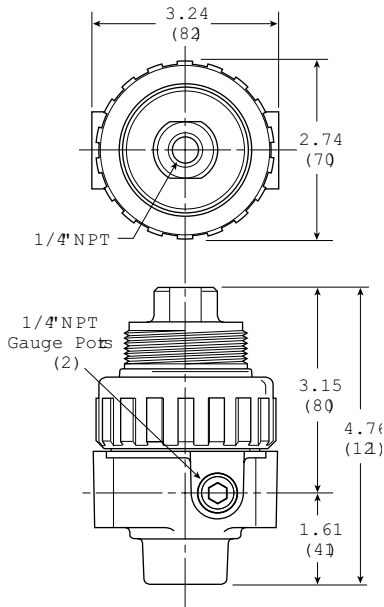
Flow Charts

12R 1/2 and 3/4" Regulator



⚠ WARNING

**Product rupture can cause serious injury.
 Do not connect regulator to bottled gas.
 Do not exceed Maximum primary pressure rating.**



Inches (mm)

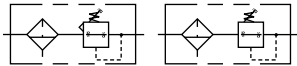
- Prep-Air® II Products
- Filters
- Coalescers
- Regulators
- Filter / Regulators
- Lubricators
- Combinations
- Accessories



For inventory, lead times, and kit lookup, visit www.pdnplu.com

05E Filter / Regulator - Economy

- Space saving package offers both filter and regulator features for optimal performance
- Excellent water removal efficiency
- Rolling diaphragm for extended life
- Removable non-rising knob for tamper resistance
- Quick response, and accurate pressure regulation regardless of changing flow or inlet pressure
- 40 micron filter element standard
- 1/4", 3/8" ports (NPT)



Prep-Air® II Products

F

Filters

Coalescers

Regulators

Filter / Regulators

Lubricators

Combinations

Accessories

Operating information

Supply pressure (max):	Plastic bowl 0 to 150 psig (0 to 10.3 bar)	
Operating temperature:	Plastic bowl 32°F to 125°F (0°C to 52°C)	
Flow capacity [†] :	High flow	1/4" 30 scfm (14.2 dm ³ /s, ANR)
		3/8" 40 scfm (18.9 dm ³ /s, ANR)
Bowl capacity:	2 oz.	
Auto pulse drain tube barb	1/8 inch	
Gauge ports (2):	1/4 inch	
Sump capacity:	0.9 oz.	
Weight:	1.35 lb (0.6 kg)	
[†] scfm = Standard cubic feet per minute at 100 psig inlet, 90 psig no flow secondary setting and 10 psig pressure drop.		

Ordering Information:

Port Size	Description †	Part Number
1/4"	Poly Bowl, Metal Guard, Twist Drain, 40 Micron, 2-125 psi w/ out Gauge, Relieving	05E12A13AB
3/8"	Poly Bowl, Metal Guard, Twist Drain, 40 Micron, 2-125 psi w/ out Gauge, Relieving	05E22A13AB

† For polycarbonate bowl, see caution in Engineering Section A.

NOTE: 1.53 Dia. (39 mm) hole required for panel mounting.

Most popular.



For inventory, lead times, and kit lookup, visit www.pdnplu.com

Economy Filter / Regulators

Material Specifications

Adjusting stem	Steel
Body	Zinc
Bonnet, internal parts	Plastic
Transparent bowl	Polycarbonate
Bowl guard	Steel
Collar	Plastic
Diaphragm	Nitrile
Drain	Plastic
40 micron element (standard)	Plastic
5 micron element (optional)	Plastic
Adsorber element (optional)	Activated charcoal
Knob	Plastic
Seals	Nitrile
Sight gauge	Polyamide (nylon)
Springs, poppet & control	Steel

Repair and Service Kits

Bowl guard kit	PS905P
Poly bowl, automatic pulse drain	PS995P
Poly bowl, twist drain	PS932P
Auto pulse drain	PS998P
Twist drain	PS512P
40 micron element	PS901P
5 micron element	PS902P
Adsorber element	PS931P
Sight gauge kit	PS914P
1- 1/2" dial face 30 psig (0 to 2.1 bar), gauge	K4515N14030
1- 1/2" dial face 60 psig (0 to 4.1 bar), gauge	K4515N14060
1- 1/2" dial face 160 psig (0 to 11.0 bar), gauge	K4515N14160
1- 1/2" dial face 300 psig (0 to 20.7 bar), gauge	K4515N14300
2" dial face 60 psig (0 to 4.1 bar), gauge	K4520N14060
2" dial face 160 psig (0 to 11.0 bar), gauge	K4520N14160
2" dial face 300 psig (0 to 20.7 bar), gauge	K4520N14300
Mounting bracket kit (includes panel mount nut)	PS963P
Panel mount nut – metal	PS964P
1-30 psig spring	P04427
1-60 psig spring	P04426
2-125 psig spring	P04425
2-200 psig spring	P02934
Relieving service kit	PS908P
Bonnet assembly kit	PS915P

WARNING

**Product rupture can cause serious injury.
Do not connect regulator to bottled gas.
Do not exceed Maximum primary pressure rating.**

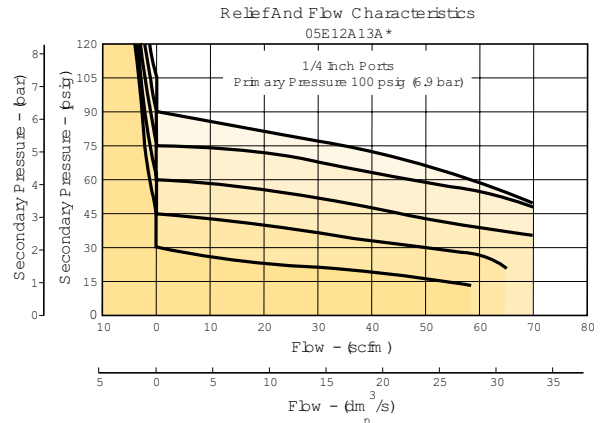
CAUTION:

REGULATOR PRESSURE ADJUSTMENT – The working range of knob adjustment is designed to permit outlet pressures within their full range. Pressure adjustment beyond this range is also possible because the knob is not a limiting device. This is a common characteristic of most industrial regulators, and limiting devices may be obtained only by special design. For best performance, regulated pressure should always be set by increasing the pressure up to the desired setting.

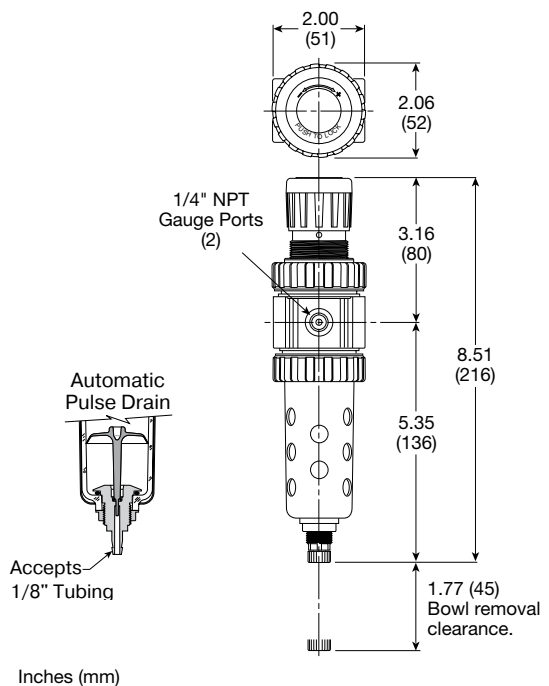
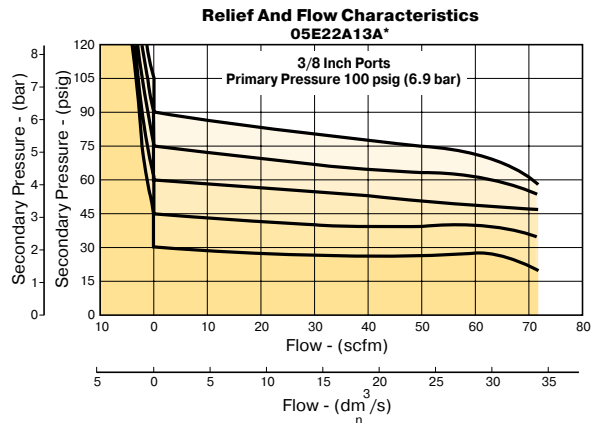
Air Preparation Products Prep-Air® II Series

Flow Charts

05E 1/4" Filter / Regulator

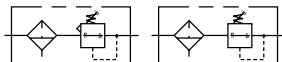


05E 3/8" Filter / Regulator



06E Filter / Regulator - Compact

- Space saving package offers both filter and regulator features for optimal performance
- Excellent water removal efficiency
- Rolling diaphragm for extended life
- Quick response, and accurate pressure regulation regardless of changing flow or inlet pressure
- Two high flow 1/4" gauge ports can be used as additional outlets
- Shown with recommended metal bowl guard
- 1/4", 3/8", 1/2" ports (NPT)



Operating information

Supply pressure (max):		
Plastic bowl		0 to 150 psig (0 to 10.3 bar)
Metal bowl		0 to 250 psig (0 to 17.2 bar)
Auto float drain		15 to 250 psig (1.0 to 17.2 bar)
Operating temperature:		
Plastic bowl		32°F to 125°F (0°C to 52°C)
Metal bowl		32°F to 175°F (0°C to 80°C)
Secondary pressure range:		
Standard		2 to 125 psig (0 to 8.6 bar)
Low		1 to 60 psig (0 to 4.1 bar)
High		5 to 250 psig (0.4 to 17.2 bar)
Flow capacity†:		
High flow	1/4"	45 scfm (21.7 dm³/s, ANR)
	3/8"	55 scfm (26 dm³/s, ANR)
	1/2"	61 scfm (28.8 dm³/s, ANR)
Bowl capacity:		4.4 oz.
Gauge ports (2):		1/4 inch (can be used as additional full flow 1/4" outlet ports)
Sump capacity:		1.75 oz.
Weight:		1.6 lb (0.7 kg)

† scfm = Standard cubic feet per minute at 100 psig inlet, 90 psig no flow secondary setting and 10 psig pressure drop.

Ordering Information:

Port Size	Description *	Part Number
1/4"	Poly Bowl, Metal Guard, Twist Drain, 40 micron, 2-125 psi w/out Gauge, Relieving	06E12A13AC
1/4"	Poly Bowl, Metal Guard, Twist Drain, 40 micron, 2-125 psi w/ Gauge, Relieving	06E12A18AC
1/4"	Poly Bowl, Metal Guard, Twist Drain, 5 micron, 2-125 psi w/ Gauge, Relieving	06E12B18AC
1/4"	Metal Bowl, Twist Drain, 40 micron, 2-125 psi w/out Gauge, Relieving	06E13A13AC
1/4"	Metal Bowl, Twist Drain, 40 micron, 2-125 psi w/out Gauge, T-Handle Relieving	06E13A13TC
1/4"	Metal Bowl, Twist Drain, 40 micron, 2-125 psi w/ Gauge, Relieving	06E13A18AC
1/4"	Metal Bowl, Sight Gauge, Twist Drain, 40 micron, 2-125 psi w/out Gauge, Relieving	06E14A13AC
1/4"	Metal Bowl, Sight Gauge, Twist Drain, 40 micron, 2-125 psi w/ Gauge, Relieving	06E14A18AC
1/4"	Poly Bowl, Metal Guard, Auto Float Drain, 40 micron, 2-125 psi w/out Gauge, Relieving	06E16A13AC
1/4"	Poly Bowl, Metal Guard, Auto Float Drain, 40 micron, 2-125 psi w/ Gauge, Relieving	06E16A18AC
3/8"	Poly Bowl, Metal Guard, Twist Drain, 40 micron, 2-125 psi w/out Gauge, Relieving	06E22A13AC
3/8"	Poly Bowl, Metal Guard, Twist Drain, 40 micron, 2-125 psi w/ Gauge, Relieving	06E22A18AC
3/8"	Poly Bowl, Metal Guard, Twist Drain, 5 micron, 2-125 psi w/out Gauge, Relieving	06E22B13AC

Continued on next page

Most popular.



For inventory, lead times, and kit lookup, visit www.pdnplu.com

Prep-Air® II Products

Filters

Coalescers

Regulators

Filter / Regulators

Lubricators

Combinations

Accessories

Ordering Information cont.:

Port Size	Description †	Part Number
3/8"	Metal Bowl, Twist Drain, 40 micron, 2- 125 psi w/ Gauge, Relieving	06E23A18AC
3/8"	Metal Bowl, Sight Gauge, Twist Drain, 40 micron, 2- 125 psi w/out Gauge, Relieving	06E24A13AC
3/8"	Metal Bowl, Sight Gauge, Twist Drain, 40 micron, 2- 125 psi w/ Gauge, Relieving	06E24A18AC
3/8"	Poly Bowl, Metal Guard, Auto Float Drain, 40 micron, 2- 125 psi w/out Gauge, Relieving	06E26A13AC
3/8"	Poly Bowl, Metal Guard, Auto Float Drain, 40 micron, 2- 125 psi w/ Gauge, Relieving	06E26A18AC
3/8"	Metal Bowl, Sight Gauge, Auto Float Drain, 40 micron, 2- 125 psi w/out Gauge, Relieving	06E28A13AC
1/2"	Poly Bowl, Metal Guard, Twist Drain, 40 micron, 2- 125 psi w/out Gauge, Relieving	06E32A13AC
1/2"	Poly Bowl, Metal Guard, Twist Drain, 40 micron, 2- 125 psi w/ Gauge, Relieving	06E32A18AC
1/2"	Poly Bowl, Metal Guard, Twist Drain, 5 micron, 2- 125 psi w/out Gauge, Relieving	06E32B13AC
1/2"	Poly Bowl, Metal Guard, Twist Drain, 5 micron, 2- 125 psi w/ Gauge, Relieving	06E32B18AC
1/2"	Metal Bowl, Sight Gauge, Twist Drain, 40 micron, 2- 125 psi w/out Gauge, Relieving	06E34A13AC
1/2"	Metal Bowl, Sight Gauge, Twist Drain, 40 micron, 2- 125 psi w/ Gauge, Relieving	06E34A18AC
1/2"	Metal Bowl, Sight Gauge, Twist Drain, 5 micron, 2- 125 psi w/ Gauge, Relieving	06E34B18AC
1/2"	Poly Bowl, Metal Guard, Auto Float Drain, 40 micron, 2- 125 psi w/out Gauge, Relieving	06E36A13AC
1/2"	Poly Bowl, Metal Guard, Auto Float Drain, 40 micron, 2- 125 psi w/ Gauge, Relieving	06E36A18AC
1/2"	Poly Bowl, Metal Guard, Auto Float Drain, 5 micron, 2- 125 psi w/out Gauge, Relieving	06E36B13AC
1/2"	Metal Bowl, Auto Float Drain, 40 micron, 2- 125 psi w/ Gauge, Relieving	06E37A18AC
1/2"	Metal Bowl, Sight Gauge, Auto Float Drain, 40 micron, 2- 125 psi w/out Gauge, Relieving	06E38A13AC
1/2"	Metal Bowl, Sight Gauge, Auto Float Drain, 40 micron, 2- 125 psi w/ Gauge, Relieving	06E38A18AC
G1/4"	Metal Bowl, Auto Float Drain, 5 micron, 2- 125 psi w/out Gauge, Relieving	06E17B13AC1

† For polycarbonate bowl, see caution in Engineering Section A.

NOTE: 2.0 Dia. (50.8 mm) hole required for panel mounting. Max panel thickness 1/4"

Prep-Air® II Products		Filters	Coalescers	Regulators	Filter / Regulators	Lubricators	Combinations	Accessories
-----------------------	--	---------	------------	------------	---------------------	-------------	--------------	-------------

Most popular.



For inventory, lead times, and kit lookup, visit www.pdnplu.com

Material Specifications

Adjusting stem	Steel
Body	Zinc
Bonnet, internal parts	Plastic
Transparent bowl	Polycarbonate
Metal bowl (with or without sight gauge)	Zinc
Bowl guard	Steel
Collar	Plastic
Diaphragm	Nitrile
Manual twist drain, standard, body & nut	Plastic
Auto float drain, housing, float	Plastic
Auto float drain, seals	Nitrile
Auto float drain, springs, push rod	Stainless steel
Knob	Plastic
40 micron element (standard)	Plastic
5 micron element (optional)	Plastic
Adsorber element (optional)	Activated charcoal
Seals	Nitrile
Sight gauge	Polyamide
Poppet, spring	Stainless
Control, spring	Steel

Repair and Service Kits

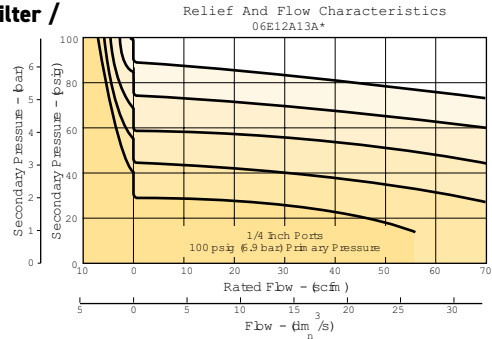
Bonnet assembly kit	PS715P
Bowl guard kit	PS705P
Poly bowl, auto float drain	PS722P
Poly bowl, twist drain	PS732P
Metal bowl, auto float drain	PS726P
Metal bowl, twist drain	PS734P
Metal bowl, sight gauge / auto drain	PS723P
Metal bowl, sight gauge / twist drain	PS735P
Control knob	P04069B
Auto float drain	PS506P
Twist drain	PS512P
40 micron element	PS701P
5 micron element	PS702P
Adsorber element	PS731P
2" dial face 60 psig (0 to 4.1 bar), gauge	K4520N14060
2" dial face 160 psig (0 to 11.0 bar), gauge	K4520N14160
2" dial face 300 psig (0 to 20.7 bar), gauge	K4520N14300
1-3/4" digital round face 160 psig (0 to 11.0 bar), gauge	K4517N14160D
Mounting bracket kit (includes panel mount nut)	PS707P
Panel mount nut	P04082
Non-relieving (includes poppet)	PS711P
Relieving (includes poppet)	PS710P
Seat insert kit	PS713P
1- 30 psig spring	P01698
1- 60 psig spring	P04062
2- 125 psig spring	P04063
5- 250 psig spring	P04064
Tamperproof kit (key lock)	PS737P

WARNING

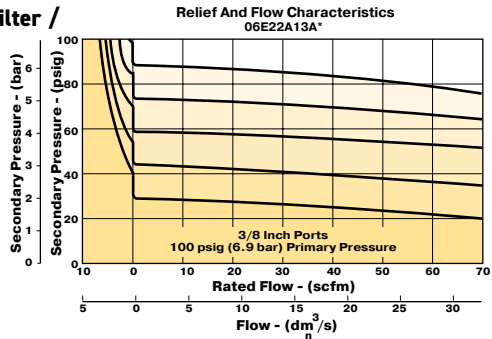
**Product rupture can cause serious injury.
 Do not connect regulator to bottled gas.
 Do not exceed Maximum primary pressure rating.**

Flow Charts

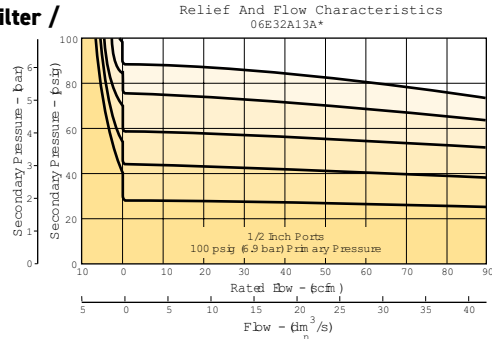
06E 1/4" Filter / Regulator



06E 3/8" Filter / Regulator

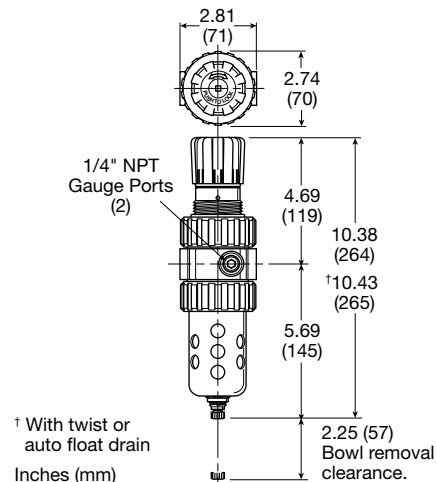


06E 1/2" Filter / Regulator



CAUTION:

REGULATOR PRESSURE ADJUSTMENT – The working range of knob adjustment is designed to permit outlet pressures within their full range. Pressure adjustment beyond this range is also possible because the knob is not a limiting device. This is a common characteristic of most industrial regulators, and limiting devices may be obtained only by special design. For best performance, regulated pressure should always be set by increasing the pressure up to the desired setting.



† With twist or auto float drain
 Inches (mm)

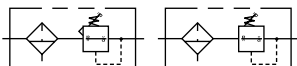


For inventory, lead times, and kit lookup, visit www.pdnplu.com

Prep-Air® II Products
 Filters
 Coalescers
 Regulators
 Filter / Regulators
 Lubricators
 Combinations
 Accessories

07E Filter / Regulator - Standard

- Space saving package offers both filter and regulator features for optimal performance
- Excellent water removal efficiency
- Rolling diaphragm for extended life
- Quick response, and accurate pressure regulation regardless of changing flow or inlet pressure
- Two high flow 1/4" gauge ports can be used as additional outlets
- Shown with recommended metal bowl guard
- 1/2", 3/4" ports (NPT)



Operating information

Supply pressure (max):		
Plastic bowl		0 to 150 psig (0 to 10.3 bar)
Metal bowl		0 to 250 psig (0 to 17.2 bar)
Auto float drain		15 to 250 psig (1.0 to 17.2 bar)
Operating temperature:		
Plastic bowl		32°F to 125°F (0°C to 52°C)
Metal bowl		32°F to 175°F (0°C to 80°C)
Secondary pressure range:		
Standard		2 to 125 psig (0 to 8.6 bar)
Low		1 to 60 psig (0 to 4.1 bar)
High		5 to 250 psig (0.4 to 17.2 bar)
Flow capacity†:		
High flow	1/2"	90 scfm (42.5 dm³/s, ANR)
	3/4"	90 scfm (42.5 dm³/s, ANR)
Bowl capacity:		7.2 oz.
Gauge ports (2):		1/4 inch (can be used as additional full flow 1/4" outlet ports)
Sump capacity:		2.8 oz.
Weight:		2.5 lb (1.1 kg)
† scfm = Standard cubic feet per minute at 100 psig inlet, 90 psig no flow secondary setting and 10 psig pressure drop.		

Ordering Information:

Port Size	Description †	Part Number
1/2"	Poly Bowl, Metal Guard, Twist Drain, 40 micron, 2-125 psi w/out Gauge, Relieving	07E32A13AC
1/2"	Poly Bowl, Metal Guard, Twist Drain, 40 micron, 2-125 psi w/ Gauge, Relieving	07E32A18AC
1/2"	Poly Bowl, Metal Guard, Twist Drain, 5 micron, 2-125 psi w/ out Gauge, Relieving	07E32B13AC
1/2"	Poly Bowl, Metal Guard, Twist Drain, 5 micron, 2-125 psi w/ Gauge, Relieving	07E32B18AC
1/2"	Metal Bowl, Sight Gauge, Twist Drain, 40 micron, 2-125 psi w/out Gauge, Relieving	07E34A13AC
1/2"	Metal Bowl, Sight Gauge, Twist Drain, 40 micron, 5-250 psi w/out Gauge, Relieving	07E34A15AC
1/2"	Metal Bowl, Sight Gauge, Twist Drain, 40 micron, 2-125 psi w/ Gauge, Relieving	07E34A18AC
1/2"	Metal Bowl, Sight Gauge, Twist Drain, 5 micron, 2-125 psi w/out Gauge, Relieving	07E34B13AC
1/2"	Metal Bowl, Sight Gauge, Twist Drain, 5 micron, 2-125 psi w/ Gauge, Relieving	07E34B18AC
1/2"	Poly Bowl, Metal Guard, Auto Float Drain, 40 micron, 2-125 psi w/ out Gauge, Relieving	07E36A13AC
1/2"	Poly Bowl, Metal Guard, Auto Float Drain, 40 micron, 2-125 psi w/ Gauge, Relieving	07E36A18AC
1/2"	Poly Bowl, Metal Guard, Auto Float Drain, 5 micron, 2-125 psi w/ out Gauge, Relieving	07E36B13AC
1/2"	Poly Bowl, Metal Guard, Auto Float Drain, 5 micron, 2-125 psi w/ Gauge, Relieving	07E36B18AC
1/2"	Metal Bowl, Auto Float Drain, 40 micron, 2-125 psi w/out Gauge, Relieving	07E37A13AC

Continued on next page

Most popular.

Prep-Air® II Products

Filters

Coalescers

Regulators

Filter / Regulators

Lubricators

Combinations

Accessories




For inventory, lead times, and kit lookup, visit www.pdnplu.com

Ordering Information cont.:

Port Size	Description †	Part Number
1/2"	Metal Bowl, Auto Float Drain, 5 micron, 2- 125 psi w/out Gauge, Relieving	07E37B13AC
1/2"	Metal Bowl, Sight Gauge, Auto Float Drain, 40 micron, 2- 125 psi w/ out Gauge, Relieving	07E38A13AC
1/2"	Metal Bowl, Sight Gauge, Auto Float Drain, 40 micron, 2- 125 psi w/ Gauge, Relieving	07E38A18AC
1/2"	Metal Bowl, Sight Gauge, Auto Float Drain, 40 micron, 5-250 psi w/ Gauge, Relieving	07E38A21AC
1/2"	Metal Bowl, Sight Gauge, Auto Float Drain, 5 micron, 2- 125 psi w/ Gauge, Relieving	07E38B18AC
3/4"	Poly Bowl, Metal Guard, Twist Drain, 40 micron, 2- 125 psi w/ out Gauge, Relieving	07E42A13AC
3/4"	Poly Bowl, Metal Guard, Twist Drain, 40 micron, 2- 125 psi w/ Gauge, Relieving	07E42A18AC
3/4"	Poly Bowl, Metal Guard, Twist Drain, 5 micron, 2- 125 psi w/out Gauge, Relieving	07E42B13AC
3/4"	Metal Bowl, Twist Drain, 40 micron, 2- 125 psi w/ out Gauge, Relieving	07E43A13AC
3/4"	Metal Bowl, Sight Gauge, Twist Drain, 40 micron, 2- 125 psi w/ out Gauge, Relieving	07E44A13AC
3/4"	Metal Bowl, Sight Gauge, Twist Drain, 40 micron, 2- 125 psi w/ Gauge, Relieving	07E44A18AC
3/4"	Metal Bowl, Sight Gauge, Twist Drain, 5 micron, 5-250 psi w/ out Gauge, Relieving	07E44B15AC
3/4"	Metal Bowl, Sight Gauge, Twist Drain, 5 micron, 2- 125 psi w/ Gauge, Relieving	07E44B18AC
3/4"	Metal Bowl, Sight Gauge, Twist Drain, 5 micron, 5-250 psi w/ Gauge, Relieving	07E44B21AC
3/4"	Poly Bowl, Metal Guard, Auto Float Drain, 40 micron, 2- 125 psi w/ out Gauge, Relieving	07E46A13AC
3/4"	Poly Bowl, Metal Guard, Auto Float Drain, 40 micron, 2- 125 psi w/ Gauge, Relieving	07E46A18AC
3/4"	Metal Bowl, Auto Float Drain, 40 micron, 2- 125 psi w/out Gauge, Relieving	07E47A13AC
3/4"	Metal Bowl, Sight Gauge, Auto Float Drain, 40 micron, 2- 125 psi w/ out Gauge, Relieving	07E48A13AC

† For polycarbonate bowl, see caution in Engineering Section A.

NOTE: 2.0 Dia. (50.8 mm) hole required for panel mounting. Max panel thickness 1/4".

 Most popular.



For inventory, lead times, and kit lookup, visit www.pdnplu.com

Prep-Air® II Products

Filters
Coalescers
Regulators
Filter / Regulators
Lubricators
Combinations
Accessories

Material Specifications

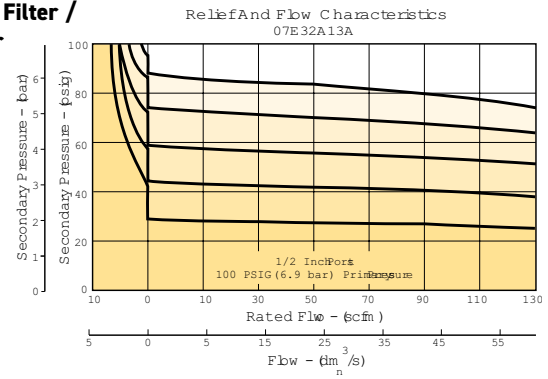
Adjusting stem	Steel
Body	Zinc
Bonnet, internal parts	Plastic
Transparent bowl	Polycarbonate
Metal bowl (with or without sight gauge)	Zinc
Bowl guard	Steel
Collar	Plastic or metal
Diaphragm	Nitrile
Manual twist drain, standard, body & nut	Plastic
Auto float drain, housing, float	Plastic
Auto float drain, seals	Nitrile
Auto float drain, springs, push rod	Stainless steel
Knob	Plastic
40 micron element (standard)	Plastic
5 micron element (optional)	Plastic
Adsorber element (optional)	Activated charcoal
Seals	Nitrile
Sight gauge	Polyamide
Poppet, spring	Stainless
Control, spring	Steel

Repair and Service Kits

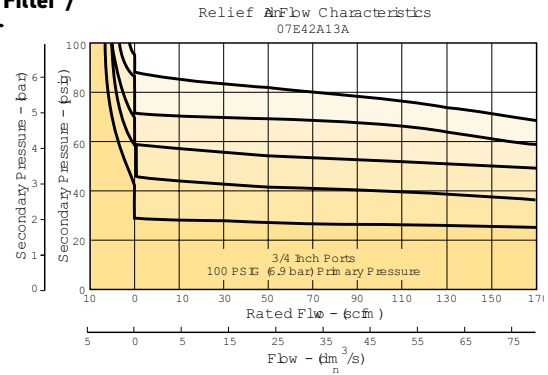
Bonnet assembly kit	PS715P
Bowl guard kit	PS805P
Poly bowl, auto float drain	PS822P
Poly bowl, twist drain	PS832P
Metal bowl, automatic float drain	PS826P
Metal bowl, twist drain	PS834P
Metal bowl, sight gauge / auto drain	PS823P
Metal bowl, sight gauge / twist drain	PS835P
Control knob	P04069B
Auto float drain	PS506P
Twist drain	PS512P
40 micron element	PS801P
5 micron element	PS802P
Adsorber element	PS831P
2" dial face 60 psig (0 to 4.1 bar), gauge	K4520N14060
2" dial face 160 psig (0 to 11.0 bar), gauge	K4520N14160
2" dial face 300 psig (0 to 20.7 bar), gauge	K4520N14300
1-3/4" Digital Round Face 160 psig (0 to 11.0 bar)	K4517N14160D
Mounting bracket kit (includes panel mount nut)	PS807P
Panel mount nut	P04082
Non-relieving (includes poppet)	PS811P
Relieving (includes poppet)	PS810P
Seat insert kit	PS813P
1- 30 psig spring	P01698
1- 60 psig spring	P04062
2- 125 psig spring	P04063
5- 250 psig spring	P04064
Tamperproof kit (key lock)	PS737P

Flow Charts

07E 1/2" Filter / Regulator



07E 3/4" Filter / Regulator

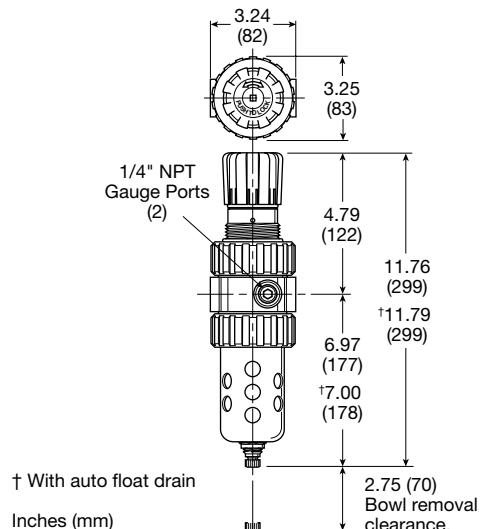


⚠ WARNING

**Product rupture can cause serious injury.
 Do not connect regulator to bottled gas.
 Do not exceed Maximum primary pressure rating.**

CAUTION:

REGULATOR PRESSURE ADJUSTMENT – The working range of knob adjustment is designed to permit outlet pressures within their full range. Pressure adjustment beyond this range is also possible because the knob is not a limiting device. This is a common characteristic of most industrial regulators, and limiting devices may be obtained only by special design. For best performance, regulated pressure should always be set by increasing the pressure up to the desired setting.



Prep-Air® II Products



Filters

Coalescers

Regulators

Filter / Regulators

Lubricators

Combinations

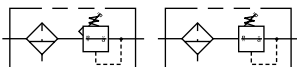
Accessories



For inventory, lead times, and kit lookup, visit www.pdnplu.com

12E Filter / Regulator - Coalescing

- Space saving package offers both coalescer and regulator features for optimal performance
- Removes liquid, aerosol and sub-micron particles
- Rolling diaphragm for extended life
- Removable non-rising knob for panel mounting and tamper resistance
- Quick response, and accurate pressure regulation regardless of changing flow or inlet pressure
- Two high flow 1/4" gauge ports can be used as additional outlets
- 1/2", 3/4" ports (NPT)



Operating information

Supply pressure (max):		
Metal bowl		0 to 250 psig (0 to 17.2 bar)
Operating temperature:		
Metal bowl		32°F to 175°F (0°C to 80°C)
Secondary pressure range:		
Standard		2 to 125 psig (0 to 8.6 bar)
Low		1 to 60 psig (0 to 4.1 bar)
High		5 to 250 psig (0.4 to 17.2 bar)
Flow capacity [†] :		
High flow	1/2"	40 scfm (18.9 dm ³ /s, ANR)
	3/4"	45 scfm (21.2 dm ³ /s, ANR)
Bowl capacity:		7.2 oz.
Gauge ports (2):		1/4 inch (can be used as additional full flow 1/4" outlet ports)
Sump capacity:		2.8 oz.
Weight:		2.5 lb (1.1 kg)

[†] scfm = Standard cubic feet per minute at 150 psig inlet, 90 psig no flow secondary setting and 10 psig pressure drop.

Ordering Information:

Port Size	Description *	Part Number
1/2"	Metal Bowl, Twist Drain, Grade 6 (0.01), 2- 125 psi w/out Gauge, Relieving	12E33E13AA
1/2"	Metal Bowl, Twist Drain, Grade 6 (0.01), 2- 125 psi w/ Gauge, Relieving	12E33E18AA
1/2"	Metal Bowl, Auto Float Drain, Grade 6 (0.01), 2- 125 psi w/ out Gauge, Relieving	12E37E13AA
1/2"	Metal Bowl, Auto Float Drain, Grade 6 (0.01), 2- 125 psi w/ Gauge, Relieving	12E37E18AA
3/4"	Metal Bowl, Twist Drain, Grade 6 (0.01), 2- 125 psi w/ Gauge, Relieving	12E43E18AA

* For polycarbonate bowl, see caution in Engineering Section A.

NOTE: 2.0 Dia. (50.8 mm) hole required for panel mounting. Max panel thickness 1/4"

Most popular.

Prep-Air® II Products

E

Filters

Coalescers

Regulators

Filter / Regulators

Lubricators

Combinations

Accessories



For inventory, lead times, and kit lookup, visit www.pdnplu.com

E33

Parker Hannifin Corporation
Pneumatic Division
Richland, Michigan
www.parker.com/pneumatics

Coalescing Filter / Regulators

Material Specifications

Adjusting stem	Steel
Body	Zinc
Bonnet, internal parts	Plastic
Metal bowl (without sight gauge)	Zinc
Collar for bonnet	Metal
Control spring	Steel
Diaphragm	Nitrile
Manual twist drain, standard, body & nut	Plastic
Auto float drain, housing, float	Plastic
Auto float drain, seals	Nitrile
Auto float drain, springs, push rod	Stainless steel
Knob	Plastic
Element	Borosilicate & felt glass fibers
Seals	Nitrile
Sight gauge	Polyamide
Poppet, spring	Stainless

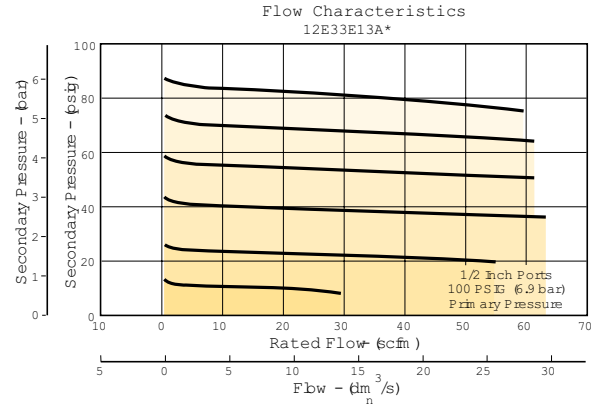
Repair and Service Kits

Bonnet assembly kit	PS715P
Metal bowl, auto float drain	PS826P
Metal bowl, twist drain	PS834P
Control knob	P04069B
Auto float drain	PS506P
Twist drain	PS512P
Grade 6 element (0.01 micron)	PS884P
Grade 10 element (1.0 micron)	PS885P
2" dial face 60 psig (0 to 4.1 bar), gauge	K4520N14060
2" dial face 160 psig (0 to 11.0 bar), gauge	K4520N14160
2" dial face 300 psig (0 to 20.7 bar), gauge	K4520N14300
1-3/4" digital round face 160 psig (0 to 11.0 bar), gauge	K4517N14160D
Mounting bracket kit (includes panel mount nut)	PS807P
Relieving (includes poppet)	PS886P
1- 30 psig spring	P01698
1- 60 psig spring	P04062
2- 125 psig spring	P04063
5- 250 psig spring	P04064
Tamperproof kit (key lock)	PS737P

Air Preparation Products Prep-Air® II Series

Flow Charts

12E 1/2" Filter / Regulator

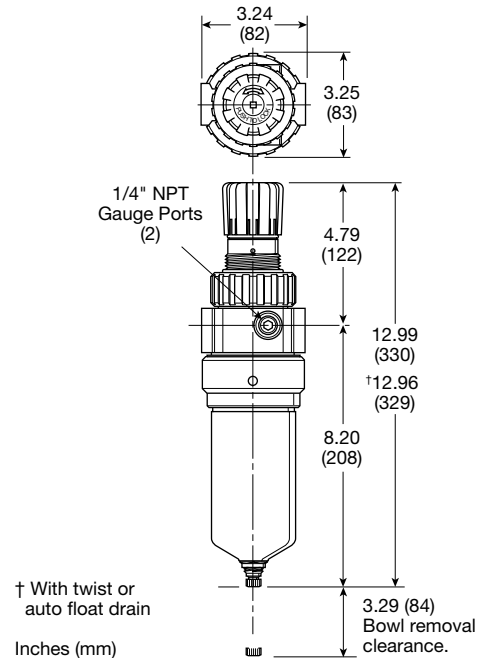


WARNING

**Product rupture can cause serious injury.
Do not connect regulator to bottled gas.
Do not exceed Maximum primary pressure rating.**

CAUTION:

REGULATOR PRESSURE ADJUSTMENT – The working range of knob adjustment is designed to permit outlet pressures within their full range. Pressure adjustment beyond this range is also possible because the knob is not a limiting device. This is a common characteristic of most industrial regulators, and limiting devices may be obtained only by special design. For best performance, regulated pressure should always be set by increasing the pressure up to the desired setting.



Prep-Air® II
Products



Filters

Coalescers

Regulators

Filter /
Regulators

Lubricators

Combinations

Accessories



For inventory, lead times, and kit lookup, visit www.pdnplu.com

15L Micro-Mist Lubricators - Economy

- Proportional oil delivery over a wide range of air flows
- Generates oil particles of 5 micron or smaller downstream to lubricate systems having complex piping arrangements
- Precision needle valve assures repeatable oil delivery and provides simple adjustment of delivery rate
- Ideal for low and high flow applications with changing air flow
- Transparent sight dome for 360° visibility
- Removable drip control knob for tamper resistance
- Integral 3/8" (NPT)



Operating information	
Supply pressure (max): Plastic bowl	150 psig (10.3 bar)
Operating temperature: Plastic bowl	32°F to 125°F (0°C to 52°C)
Flow capacity [†] :	
High flow	1/4" 40 scfm (18.9 dm ³ /s, ANR) 3/8" 40 scfm (18.9 dm ³ /s, ANR)
Minimum flow	2 scfm (0.9 dm ³ /s, ANR) at 100 psig (6.9 bar)
Bowl capacity:	2.0 oz.
Weight	1.0 lb (0.45 kg)
[†] scfm = Standard cubic feet per minute at 90 psig inlet and 5 psig pressure drop.	

Ordering Information:

Port Size	Description †	Part Number
3/8"	Poly Bowl, Metal Bowl Guard, No Drain, No Fill Plug	15L22NA

† For polycarbonate bowl and sight dome, see caution in Engineering Section A.

Suggested Lubricant **F442 Oil**

Petroleum based oil of 100 to 200 SUS viscosity at 100°F (38°C) and an aniline point greater than 200°F (93°C)
(DO NOT USE OILS WITH ADDITIVES, COMPOUNDED OILS CONTAINING SOLVENTS, GRAPHITE, DETERGENTS, OR SYNTHETIC OILS.)

Most popular.



For inventory, lead times, and kit lookup, visit www.pdnplu.com

E35

Parker Hannifin Corporation
Pneumatic Division
Richland, Michigan
www.parker.com/pneumatics

Prep-Air® II
Products



Filters

Coalescers

Regulators

Filter /
Regulators

Lubricators

Combinations

Accessories

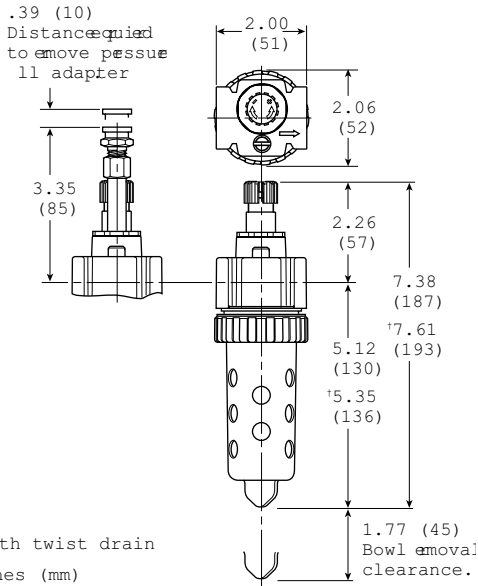
Economy Micro-Mist Lubricators

Material Specifications

Body	Zinc
Transparent bowl	Polycarbonate
Bowl guard	Steel
Collar	Plastic
Drains, twist – body & nut	Plastic
Injector meter block & base assembly	Plastic
Seals	Nitrile
Sight dome	Polycarbonate
Sight gauge (nylon)	Polyamide

Repair and Service Kits

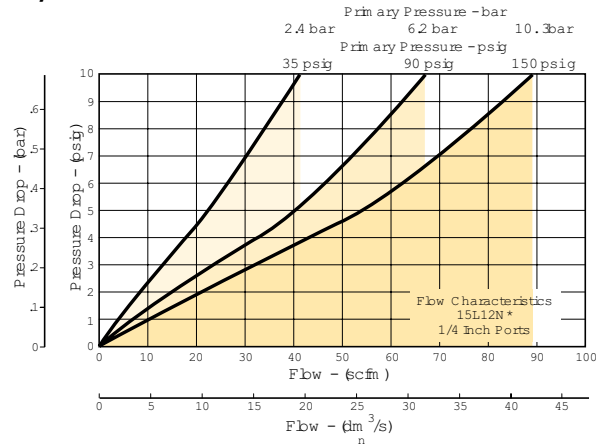
Adjustment knob	P04121
Bowl guard kit	PS905P
Poly bowl, no drain	PS946P
Twist drain	PS512P
Mounting bracket kit	PS943P
Service kit	PS948P
Sight dome kit	PS740P
Sight gauge kit	PS914P
Oil (1 quart)	F442001
Oil (1 gallon)	F442002
Oil (12 quart case)	F442003
Oil (4 gallon case)	F442005



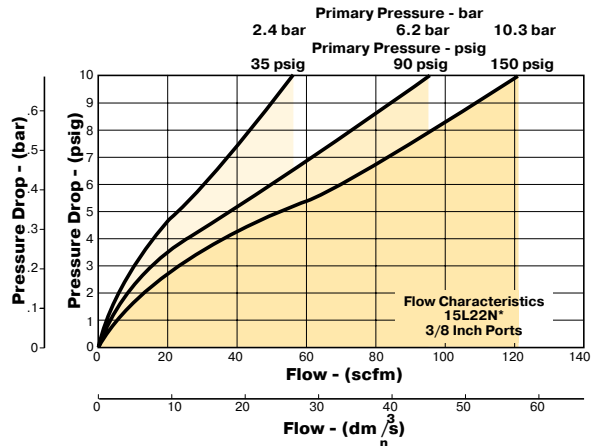
Air Preparation Products Prep-Air® II Series

Flow Charts

15L 1/4" Lubricator



15L 3/8" Lubricator



Prep-Air® II
Products



Filters

Coalescers

Regulators

Filter /
Regulators

Lubricators

Combinations

Accessories



For inventory, lead times, and kit lookup, visit www.pdnplu.com

16L Micro-Mist Lubricators - Compact

- Proportional oil delivery over a wide range of air flows
- Generates oil particles of 5 micron or smaller downstream to lubricate systems having complex piping arrangements
- Precision needle valve assures repeatable oil delivery and provides simple adjustment of delivery rate
- Ideal for low and high flow applications with changing air flow
- Transparent sight dome for 360° visibility
- Yellow fill cap identifies micro-mist lubricator
- Integral 1/4", 3/8", 1/2" (NPT)



Operating information		
Supply pressure (max):		
Plastic bowl		150 psig (10.3 bar)
Metal bowl		250 psig (17.2 bar)
Operating temperature:		
Plastic bowl		32°F to 125°F (0°C to 52°C)
Metal bowl		32°F to 175°F (0°C to 80°C)
Flow capacity†:		
High flow	1/4"	40 scfm (18.9 dm³/s, ANR)
	3/8"	60 scfm (28.3 dm³/s, ANR)
	1/2"	90 scfm (42.5 dm³/s, ANR)
Minimum flow		1 scfm (0.5 dm³/s, ANR) at 100 psig (6.9 bar)
Bowl capacity:		2.6 oz.
Weight:		1.2 lb (0.5 kg)
† scfm = Standard cubic feet per minute at 90 psig inlet and 5 psig pressure drop.		

Ordering Information:

Port Size	Description †	Part Number
1/4"	Poly Bowl, Metal Bowl Guard, No Drain, With Fill Plug	16L12BE
1/4"	Metal Bowl, Sight Gauge, Twist Drain, With Fill Plug	16L14BE
3/8"	Poly Bowl, Metal Bowl Guard, No Drain, With Fill Plug	16L22BE
3/8"	Metal Bowl, Sight Gauge, Twist Drain, With Fill Plug	16L24BE
1/2"	Poly Bowl, Metal Bowl Guard, No Drain, With Fill Plug	16L32BE
1/2"	Metal Bowl, Sight Gauge, Twist Drain, With Fill Plug	16L34BE

† For polycarbonate bowl and sight dome, see caution in Engineering Section A.

Suggested Lubricant **F442 Oil**

Petroleum based oil of 100 to 200 SUS viscosity at 100°F (38°C) and an aniline point greater than 200°F (93°C)
(DO NOT USE OILS WITH ADDITIVES, COMPOUNDED OILS CONTAINING SOLVENTS, GRAPHITE, DETERGENTS, OR SYNTHETIC OILS.)

Most popular.



For inventory, lead times, and kit lookup, visit www.pdnplu.com

E37

Parker Hannifin Corporation
Pneumatic Division
Richland, Michigan
www.parker.com/pneumatics

Prep-Air® II Products
Filters
Coalescers
Regulators
Filter / Regulators
Lubricators
Combinations
Accessories

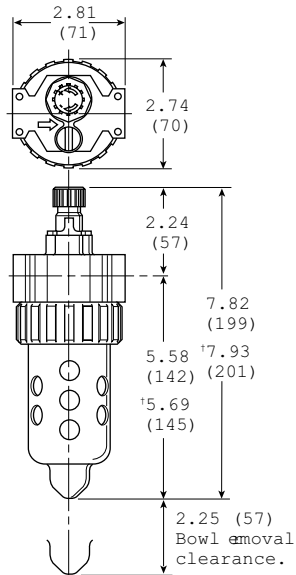
Compact Micro-Mist Lubricators

Material Specifications

Body	Zinc
Transparent bowls	Polycarbonate
Metal bowl (with sight gauge)	Zinc
Bowl guard	Steel
Collar	Plastic
Twist drain – body & nut	Plastic
Injector meter block & base assembly	Plastic
Seals	Nitrile
Sight dome	Polycarbonate
Sight gauge (nylon)	Polyamide

Repair and Service Kits

Adjustment knob	P04121
Bowl guard kit	PS705P
Poly bowl / no drain kit	PS746P
Poly bowl / twist drain kit	PS717P
Poly bowl / pressure fill kit	PS719P
Poly bowl / remote fill kit	PS728P
Metal bowl / sight gauge / twist drain kit	PS729P
Twist drain kit	PS512P
Fill cap kit	PS742P
Lubricator service kit	PS748P
Mounting bracket kit	PS743P
Pressure fill adapter kit	PS716P
Pressure fill button	P11912
Sight dome / fill cap kit	PS739P
Sight dome kit, polycarbonate	PS740P
Sight dome kit, nylon	PS740N
Oil (1 quart)	F442001
Oil (1 gallon)	F442002
Oil (12 quart case)	F442003
Oil (4 gallon case)	F442005

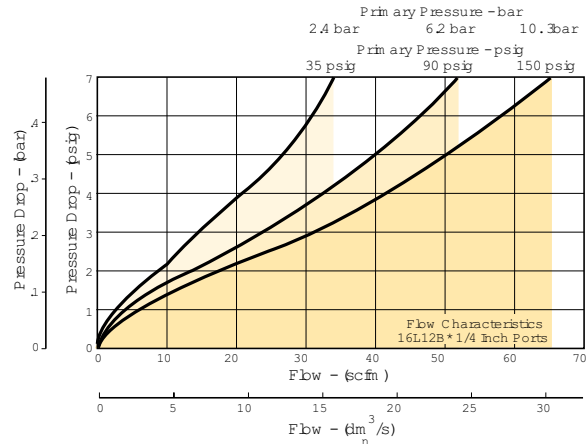


† With twist drain
Inches (mm)

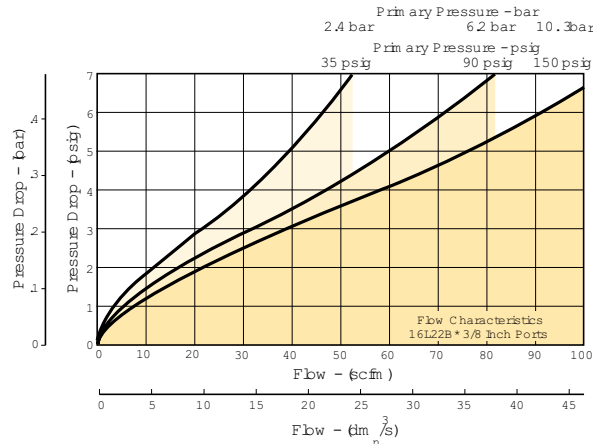
Air Preparation Products Prep-Air® II Series

Flow Charts

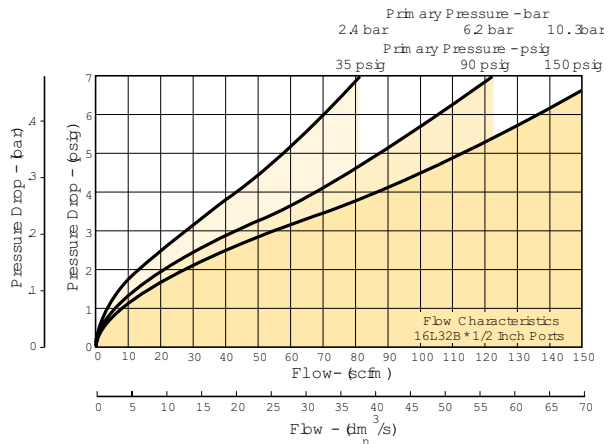
16L 1/4" Lubricator



16L 3/8" Lubricator



16L 1/2" Lubricator



Prep-Air® II
Products

Filters

Coalescers

Regulators

Filter /
Regulators

Lubricators

Combinations

Accessories



For inventory, lead times, and kit lookup, visit www.pdnplu.com

17L Micro-Mist Lubricators - Standard

- Proportional oil delivery over a wide range of air flows
- Generates oil particles of 5 micron or smaller downstream to lubricate systems having complex piping arrangements
- Precision needle valve assures repeatable oil delivery and provides simple adjustment of delivery rate
- Ideal for low and high flow applications with changing air flow
- Transparent sight dome for 360° visibility
- Yellow fill cap identifies Micro-Mist Lubricator.
- Integral 1/2", 3/4" ports (NPT)



Operating information		
Supply pressure (max):		
Plastic bowl		150 psig (10.3 bar)
Metal bowl		250 psig (17.2 bar)
Operating temperature:		
Plastic bowl		32°F to 125°F (0°C to 52°C)
Metal bowl		32°F to 175°F (0°C to 80°C)
Flow capacity†:		
High flow	1/2"	90 scfm (42.5 dm³/s, ANR)
	3/4"	90 scfm (42.5 dm³/s, ANR)
Minimum flow		1 scfm (0.5 dm³/s, ANR) at 100 psig (6.9 bar)
Bowl capacity:		4.9 oz.
Weight:		1.9 lb (0.9 kg)
† scfm = Standard cubic feet per minute at 90 psig inlet and 5 psig pressure drop.		

Ordering Information:

Port Size	Description †	Part Number
1/2"	Poly Bowl, Metal Bowl Guard, No Drain, With Fill Plug	17L32BE
1/2"	Metal Bowl, Sight Gauge, Twist Drain, With Fill Plug	17L34BE
1/2"	Poly Bowl, Metal Bowl Guard, Pressure Fill, With Fill Plug	17L36BE
3/4"	Poly Bowl, Metal Bowl Guard, No Drain, With Fill Plug	17L42BE
3/4"	Metal Bowl, Sight Gauge, Twist Drain, With Fill Plug	17L44BE
3/4"	Poly Bowl, Metal Bowl Guard, Pressure Fill, With Fill Plug	17L46BE

† For polycarbonate bowl and sight dome, see caution in Engineering Section A.

Suggested Lubricant **F442 Oil**

Petroleum based oil of 100 to 200 SUS viscosity at 100°F (38°C) and an aniline point greater than 200°F (93°C)
(DO NOT USE OILS WITH ADDITIVES, COMPOUNDED OILS CONTAINING SOLVENTS, GRAPHITE, DETERGENTS, OR SYNTHETIC OILS.)

Most popular.



For inventory, lead times, and kit lookup, visit www.pdnplu.com



Standard Micro-Mist Lubricators

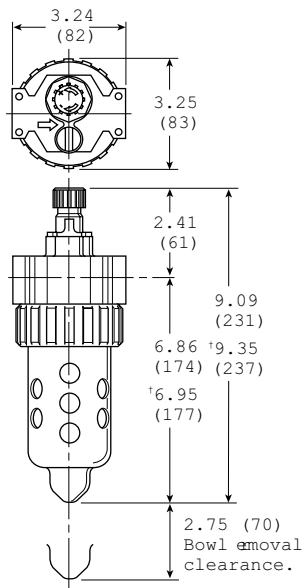
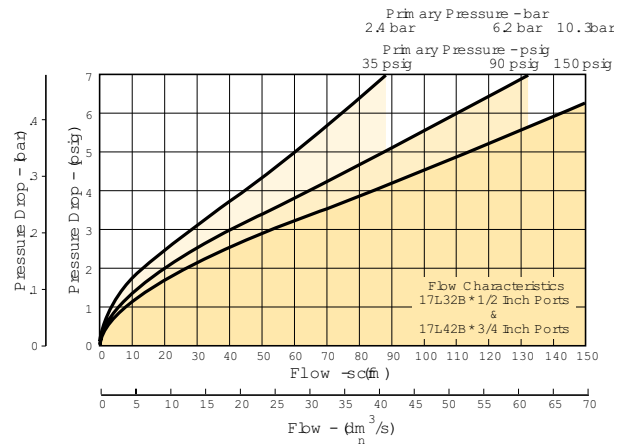
Material Specifications

Body	Zinc
Transparent bowl	Polycarbonate
Metal bowl (with sight gauge)	Zinc
Bowl guard	Steel
Collar	Plastic or Metal
Twist drain- body & nut	Plastic
Injector meter block & base assembly	Plastic
Seals	Nitrile
Sight dome	Polycarbonate
Sight gauge (nylon)	Polyamide

Air Preparation Products Prep-Air® II Series

Flow Charts

17L 1/2" & 3/4" Lubricator



† With twist drain
Inches (mm)

Repair and Service Kits

Adjustment knob	P04121
Bowl guard kit	PS805P
Poly bowl / no drain kit	PS846P
Poly bowl / twist drain kit	PS817P
Poly bowl / pressure fill kit	PS819P
Metal bowl / sight gauge / twist drain kit	PS829P
Metal bowl / sight gauge / pressure fill kit	PS820P
Twist drain kit	PS512P
Fill cap kit	PS742P
Lubricator service kit	PS748P
Mounting bracket kit	PS843P
Pressure fill adapter kit	PS716P
Pressure fill button	P11912
Sight dome / fill cap kit	PS739P
Sight dome kit, polycarbonate	PS740P
Sight dome kit, nylon	PS740N
Oil (1 quart)	F442001
Oil (1 gallon)	F442002
Oil (12 quart case)	F442003
Oil (4 gallon case)	F442005

Prep-Air® II
Products



Filters

Coalescers

Regulators

Filter /
Regulators

Lubricators

Combinations

Accessories



For inventory, lead times, and kit
lookup, visit www.pdnplu.com

06L Mist Lubricators - Compact

- Proportional oil delivery over a wide range of air flows
- Precision needle valve assures repeatable oil delivery and provides simple adjustment of delivery rate
- Bowl can be filled while air line is under pressure
- Transparent sight dome for 360° visibility
- Integral 1/4", 3/8", 1/2" ports (NPT)



Operating information

Supply pressure (max):		
Plastic bowl		150 psig (10.3 bar)
Metal bowl		250 psig (17.2 bar)
Operating temperature:		
Plastic bowl		32°F to 125°F (0°C to 52°C)
Metal bowl		32°F to 175°F (0°C to 80°C)
Flow capacity†:		
High flow	1/4"	40 scfm (18.9 dm³/s, ANR)
	3/8"	60 scfm (28.3 dm³/s, ANR)
	1/2"	90 scfm 42.5 dm³/s, ANR)
Minimum flow		0.5 2 scfm (0.24 dm³/s, ANR) at 100 psig (6.9 bar)
Bowl capacity:		2.9 oz.
Weight:		1.2 lb (0.5 kg)
† scfm = Standard cubic feet per minute at 90 psig inlet and 5 psig pressure drop.		

Ordering Information:

Port Size	Description †	Part Number
1/4"	Poly Bowl, Metal Bowl Guard, No Drain, With Fill Plug	06L12BE
1/4"	Metal Bowl, Sight Gauge, Twist Drain, With Fill Plug	06L14BE
3/8"	Poly Bowl, Metal Bowl Guard, No Drain, With Fill Plug	06L22BE
3/8"	Metal Bowl, Sight Gauge, Twist Drain, With Fill Plug	06L24BE
1/2"	Poly Bowl, Metal Bowl Guard, No Drain, With Fill Plug	06L32BE
1/2"	Metal Bowl, Sight Gauge, Twist Drain, With Fill Plug	06L34BE
G1/2"	Poly Bowl, Metal Bowl Guard, No Drain, With Fill Plug	06L32BE1

† For polycarbonate bowl and sight dome, see caution in Engineering Section A.

Suggested Lubricant **F442 Oil**

Petroleum based oil of 100 to 200 SUS viscosity at 100°F (38°C) and an aniline point greater than 200°F (93°C)
(DO NOT USE OILS WITH ADDITIVES, COMPOUNDED OILS CONTAINING SOLVENTS, GRAPHITE, DETERGENTS, OR SYNTHETIC OILS.)

Most popular.



For inventory, lead times, and kit lookup, visit www.pdnplu.com

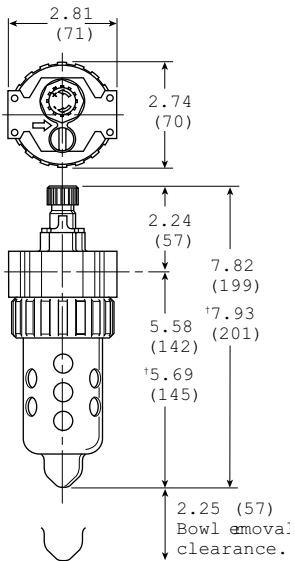


Material Specifications

Body	Zinc
Transparent bowl	Polycarbonate
Metal bowl (with sight gauge)	Zinc
Bowl guard	Steel
Collar	Plastic
Twist drain – body & nut	Plastic
Injector meter block & base assembly	Plastic
Seals	Nitrile
Sight dome	Polycarbonate
Sight gauge	Polyamide (nylon)

Repair and Service Kits

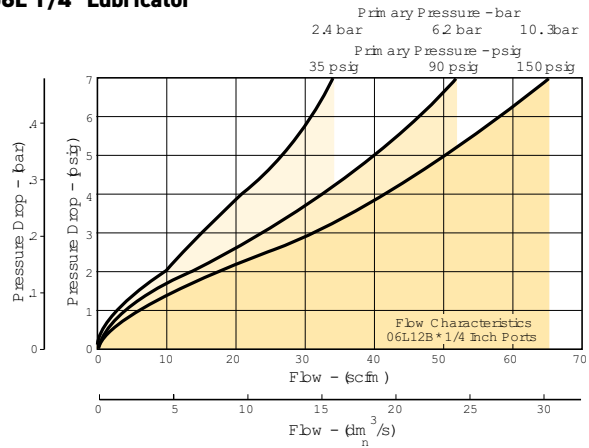
Adjustment knob	P04121
Bowl guard kit	PS705P
Poly bowl / no drain kit	PS746P
Poly bowl / twist drain kit	PS717P
Poly bowl / pressure fill kit	PS719P
Metal bowl / sight gauge / twist drain kit	PS729P
Metal bowl / sight gauge / pressure fill kit	PS720P
Twist drain kit	PS512P
Fill cap kit	PS741P
Lubricator service kit	PS718P
Mounting bracket kit	PS743P
Pressure fill adapter kit	PS716P
Pressure fill button	P11912
Sight dome / fill cap kit	PS738P
Sight dome kit, polycarbonate	PS740P
Sight dome kit, nylon	PS740N
Oil (1 quart)	F442001
Oil (1 gallon)	F442002
Oil (12 quart case)	F442003
Oil (4 gallon case)	F442005



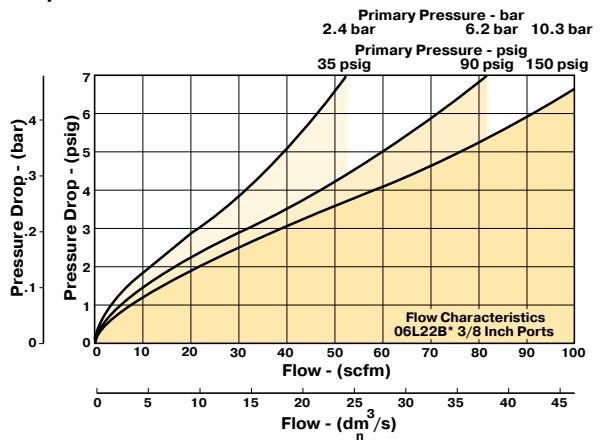
* With twist drain
 Inches (mm)
 Bowl removal clearance.

Flow Charts

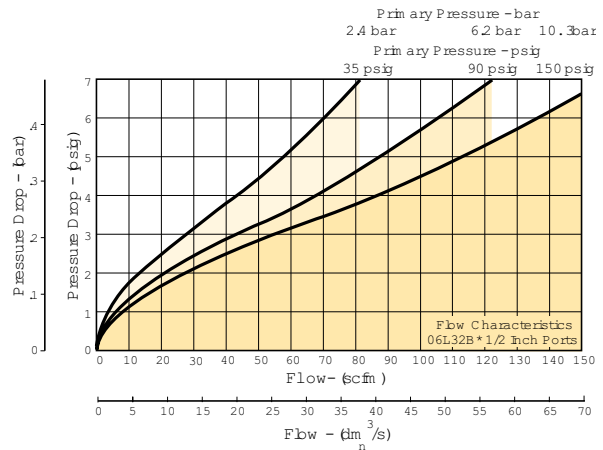
06L 1/4" Lubricator



06L 3/8" Lubricator



06L 1/2" Lubricator



Prep-Air® II
 Products



Filters

Coalescers

Regulators

Filter /
 Regulators

Lubricators

Combinations

Accessories



For inventory, lead times, and kit lookup, visit www.pdnplu.com

07L Mist Lubricators - Standard

- Proportional oil delivery over a wide range of air flows
- Precision needle valve assures repeatable oil delivery and provides simple adjustment of delivery rate
- Bowl can be filled while air line is under pressure
- Transparent sight dome for 360° visibility
- Integral 1/2", 3/4" ports (NPT)



Operating information

Supply pressure (max):		
Plastic bowl		150 psig (10.3 bar)
Metal bowl		250 psig (17.2 bar)
Operating temperature:		
Plastic bowl		32°F to 125°F (0°C to 52°C)
Metal bowl		32°F to 175°F (0°C to 80°C)
Flow capacity†:		
High flow	1/2"	90 scfm (42.5 dm³/s, ANR)
	3/4"	90 scfm (42.5 dm³/s, ANR)
Minimum flow		0.52 scfm (0.24 dm³/s, ANR) at 100 psig (6.9 bar)
Bowl capacity:		6.0 oz.
Weight:		1.9 lb (0.9 kg)
† scfm = Standard cubic feet per minute at 90 psig inlet and 5 psig pressure drop.		

Ordering Information:

Port Size	Description †	Part Number
1/2"	Poly Bowl, Metal Bowl Guard, No Drain, With Fill Plug	07L32BE
1/2"	Metal Bowl, Sight Gauge, Twist Drain, With Fill Plug	07L34BE
1/2"	Metal Bowl, Sight Gauge, Twist Drain, With Fill Plug	07L34FE
1/2"	Poly Bowl, Metal Bowl Guard, Twist Drain, With Fill Plug	07L3NBE
3/4"	Poly Bowl, Metal Bowl Guard, No Drain, With Fill Plug	07L42BE
3/4"	Metal Bowl, Sight Gauge, Twist Drain, With Fill Plug	07L44BE
1/2" BSPP	Poly Bowl, Metal Bowl Guard, No Drain, With Fill Plug	07L32BE1

† For polycarbonate bowl and sight dome, see caution in Engineering Section A.

Suggested Lubricant **F442 Oil**

Petroleum based oil of 100 to 200 SUS viscosity at 100°F (38°C) and an aniline point greater than 200°F (93°C)
 (DO NOT USE OILS WITH ADDITIVES, COMPOUNDED OILS CONTAINING SOLVENTS, GRAPHITE, DETERGENTS, OR SYNTHETIC OILS.)

 Most popular.



For inventory, lead times, and kit lookup, visit www.pdnplu.com

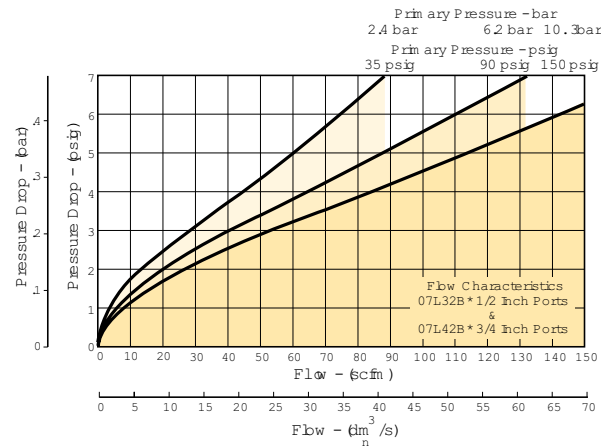


Material Specifications

Body	Zinc
Transparent bowl	Polycarbonate
Metal bowl (with sight gauge)	Zinc
Bowl guard	Steel
Collar	Plastic or metal
Twist drain – body & nut	Plastic
Injector meter block & base assembly	Plastic
Seals	Nitrile
Sight dome	Polycarbonate
Sight gauge	Polyamide (nylon)

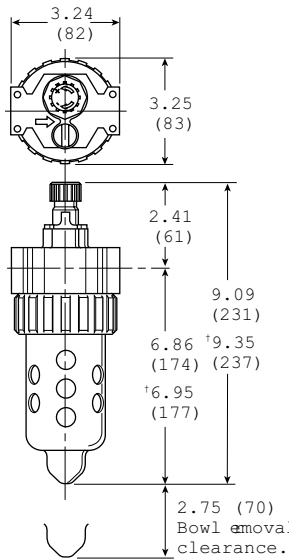
Flow Charts

07L 1/2" & 3/4" Lubricator



Repair and Service Kits

Adjustment knob	P04121
Bowl guard kit	PS805P
Poly bowl / no drain	PS846P
Poly bowl / twist drain	PS817P
Poly bowl / pressure fill	PS819P
Metal bowl / sight gauge / twist drain	PS829P
Metal bowl / sight gauge / pressure fill	PS820P
Twist drain kit	PS512P
Fill cap kit	PS741P
Lubricator service kit	PS718P
Mounting bracket kit	PS843P
Pressure fill adapter kit	PS716P
Pressure fill button	P11912
Sight dome / fill cap kit	PS738P
Sight dome kit, polycarbonate	PS740P
Sight dome kit, nylon	PS740N
Oil (1 quart)	F442001
Oil (1 gallon)	F442002
Oil (12 quart case)	F442003
Oil (4 gallon case)	F442005



† With twist drain
 Inches (mm)

- Prep-Air® II Products
- Filters
- Coalescers
- Regulators
- Filter / Regulators
- Lubricators
- Combinations
- Accessories



For inventory, lead times, and kit lookup, visit www.pdnplu.com

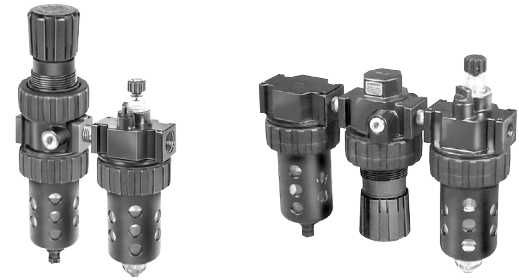
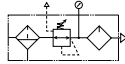
06 Compact, 07 Standard Close Nippled Series Combinations

Regulator can be mounted with knob in up or down position

40 micron filter element standard, 5 micron optional

Manual twist drain

Relieving regulator



06G/16G Compact Standard Close Nippled Series Combinations:

Port Size	Filter Bowl Type †	Element Type	Relief Type	Pressure Range	Lubricator Bowl Type	Lubricator Type	2-unit / 3-unit	Part Numbers
3/8"	Poly Bowl, Metal Bowl Guard, Twist Drain	40 micron	Relieving	2-125 psi w/out gauge	Poly Bowl, Metal Bowl Guard, No Drain	Mist, With Fill Plug	2-unit	06G22A13A2BC
3/8"	Metal Bowl, Sight Gauge, Twist Drain	40 micron	Relieving	2-125 psi w/out gauge	Metal Bowl, Sight Gauge, Twist Drain	Mist, With Fill Plug	2-unit	06G24A13A4BC
1/2"	Poly Bowl, Metal Bowl Guard, Twist Drain	40 micron	Relieving	2-125 psi w/gauge	Poly Bowl, Metal Bowl Guard, No Drain	Mist, With Fill Plug	2-unit	06G32A18A2BC
1/2"	Poly Bowl, Metal Bowl Guard, Twist Drain	40 micron	Relieving	2-125 psi w/gauge	Poly Bowl, Metal Bowl Guard, No Drain	Micro-Mist, With Fill Plug	3-unit	16G32A18A2BC

07A/17G Standard Close Nippled Series Combinations:

Port Size	Filter Bowl Type †	Element Type	Relief Type	Pressure Range	Lubricator Bowl Type	Lubricator Type	2-unit / 3-unit	Part Numbers
1/2"	Metal Bowl, Twist Drain	40 micron	Relieving	2-125 psi w/out gauge	Metal Bowl, Sight Gauge, Twist Drain	Micro-Mist, With Fill Plug	2-unit	17G33A13A4BD
1/2"	Poly Bowl, Metal Bowl Guard, Twist Drain	40 micron	Relieving	2-125 psi w/out gauge	Poly Bowl, Metal Bowl Guard, No Drain	Mist, With Fill Plug	3-unit	07A32A13A2BD
1/2"	Metal Bowl, Twist Drain	40 micron	Relieving	2-125 psi w/gauge	Metal Bowl, Sight Gauge, Twist Drain	Mist, With Fill Plug	3-unit	07A33A18A4BD
3/4"	Poly Bowl, Metal Bowl Guard, Twist Drain	40 micron	Relieving	2-125 psi w/out gauge	Poly Bowl, Metal Bowl Guard, No Drain	Mist, With Fill Plug	3-unit	07A42A13A2BD
3/4"	Poly Bowl, Metal Bowl Guard, Twist Drain	40 micron	Relieving	2-125 psi w/gauge	Poly Bowl, Metal Bowl Guard, No Drain	Mist, With Fill Plug	3-unit	07A42A18A2BD
3/4"	Poly Bowl, Metal Bowl Guard, Auto Float Drain	5 micron	Relieving	2-125 psi w/gauge	Poly Bowl, Metal Bowl Guard, No Drain	Mist, With Fill Plug	3-unit	07A46B18A2BD

⚠ WARNING

**Product rupture can cause serious injury.
Do not connect regulator to bottled gas.
Do not exceed Maximum primary pressure rating.**

CAUTION:

REGULATOR PRESSURE ADJUSTMENT – The working range of knob adjustment is designed to permit outlet pressures within their full range. Pressure adjustment beyond this range is also possible because the knob is not a limiting device. This is a common characteristic of most industrial regulators, and limiting devices may be obtained only by special design. For best performance, regulated pressure should always be set by increasing the pressure up to the desired setting.

☐ Most popular.



For inventory, lead times, and kit lookup, visit www.pdnplu.com



Ordering Information:

16A 1 2 A 13 A 2 B C

Series	
Micro-Mist Compact, 3-Unit	16A
Micro-Mist Compact, 2-Unit	16G
Micro-Mist Standard, 2-Unit	17G
Mist Compact, 3-Unit	06A
Mist Standard, 3-Unit	07A
Mist Compact, 2-Unit	06G

Port Size	
1/4 Inch	1
3/8 Inch (06/16)	2
1/2 Inch	3
3/4 Inch (07/17)	4

Filter Element	
40 Micron	A
5 Micron	B

Lubricator Body Options	
B	With Fill Plug

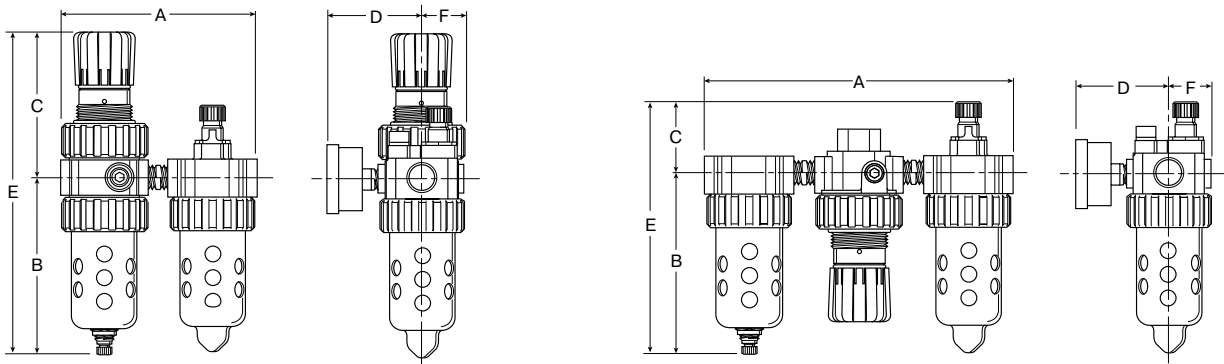
Lubricator Bowl Options	
2	Poly Bowl, Metal Bowl Guard, No Drain
4	Metal Bowl, Sight Gauge, Twist Drain

Relief	
A	Relieving

Pressure Range			
Without Gauge		With Gauge	
13	125 psig	18	125 psig

Filter Bowl Options	
Poly Bowl, Metal Bowl Guard, Twist Drain	2
Poly Bowl, Metal Bowl Guard, Auto Float Drain	6
Metal Bowl, Twist Drain	3
Metal Bowl, Sight Gauge, Auto Float Drain	4

Reference Only
(See discrete part list)



06G, 16G Series

A	B	C	D	E	F
6.13 (156)	5.69 (145)	4.69 (119)	3.18 (81)	10.38 (264)	1.37 (35)

06A, 16A Series

A	B	C	D	E	F
9.45 (240)	5.69 (145)	2.24 (57)	3.18 (81)	7.93 (201)	1.37 (35)

07G, 17G Series

A	B	C	D	E	F
6.99 (178)	6.97 (177)	4.79 (122)	3.44 (87)	11.76 (299)	1.63 (41)

07A, 17A Series

A	B	C	D	E	F
10.74 (2738)	6.97 (177)	2.41 (61)	3.44 (87)	9.38 (238)	1.63 (41)

Inches (mm)

• All dimensions nominal.

Inches (mm)

• All dimensions nominal.

Prep-Air® II
Products



Filters

Coalescers

Regulators

Filter /
Regulators

Lubricators

Combinations

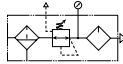
Accessories



For inventory, lead times, and kit lookup, visit www.pdnplu.com

07 Standard Modular Series Combinations

- Regulator can be mounted with knob in up or down position
- 40 micron filter element standard, 5 micron optional
- Manual twist drain
- Relieving regulator



07B/17B/17H Standard Modular Series Combinations:

Port Size	Filter Bowl Type †	Element Type	Relief Type	Pressure Range	Lubricator Bowl Type	Lubricator Type	2-unit / 3-unit	Modular Options	Part Numbers
3/4"	Metal Bowl, Sight Gauge, Twist Drain	5 micron	Relieving	5-250 psi w/ gauge	Metal Bowl, Sight Gauge, Twist Drain	Micro-Mist, With Fill Plug	2-unit		17H44B21A4BD
1/2"	Poly Bowl, Metal Bowl Guard, Twist Drain	40 micron	Relieving	2-125 psi w/out gauge	Poly Bowl, Metal Bowl Guard, No Drain	Mist, With Fill Plug	3-unit		07B32A13A2BD
1/2"	Poly Bowl, Metal Bowl Guard, Twist Drain	40 micron	Relieving	2-125 psi w/ gauge	Poly Bowl, Metal Bowl Guard, No Drain	Mist, With Fill Plug	3-unit	W/ Mounting Bracket	07B32A18A2BDW
1/2"	Metal Bowl, Twist Drain	40 micron	Relieving	5-250 psi w/ gauge	Metal Bowl, Twist Drain	Mist, With Fill Plug	3-unit		07B33A21A3BD
3/4"	Metal Bowl, Twist Drain	40 micron	Relieving	2-125 psi w/ gauge	Metal Bowl, Sight Gauge, Twist Drain	Mist, With Fill Plug	3-unit	W/ Mounting Bracket	07B43A18A4BDW
1/2"	Poly Bowl, Metal Bowl Guard, Twist Drain	40 micron	Relieving	2-125 psi w/ gauge	Poly Bowl, Metal Bowl Guard, No Drain	Micro-Mist, With Fill Plug	3-unit		17B32A18A2BD
3/4"	Poly Bowl, Metal Bowl Guard, Twist Drain	40 micron	Relieving	2-125 psi w/ gauge	Poly Bowl, Metal Bowl Guard, No Drain	Micro-Mist, With Fill Plug	3-unit		17B42A18A2BD

WARNING
Product rupture can cause serious injury. Do not connect regulator to bottled gas. Do not exceed Maximum primary pressure rating.

CAUTION:

REGULATOR PRESSURE ADJUSTMENT – The working range of knob adjustment is designed to permit outlet pressures within their full range. Pressure adjustment beyond this range is also possible because the knob is not a limiting device. This is a common characteristic of most industrial regulators, and limiting devices may be obtained only by special design. For best performance, regulated pressure should always be set by increasing the pressure up to the desired setting.

Most popular.



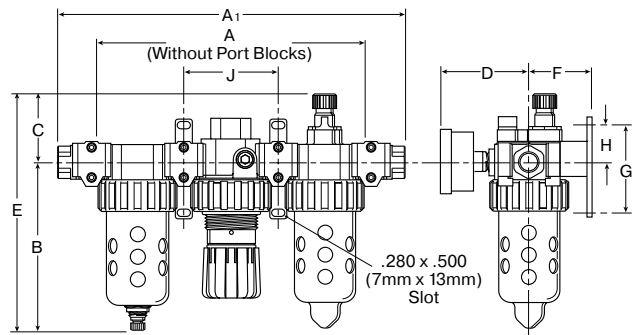
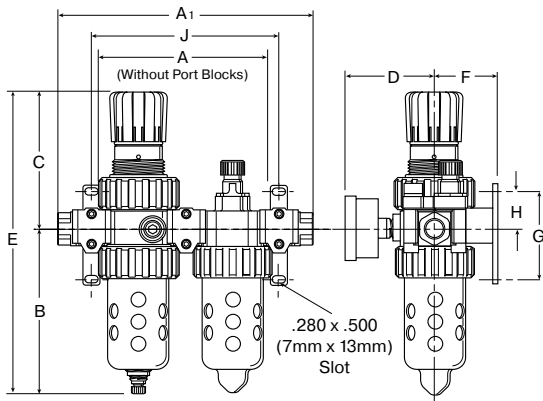
For inventory, lead times, and kit lookup, visit www.pdnplu.com



Ordering Information:

Reference Only
(See discrete part list)

	17B	1	2	A	13	A	2	B	D																					
<table border="1" style="width: 100%; border-collapse: collapse;"> <tr><th colspan="2">Series</th></tr> <tr><td>Micro-Mist Standard, 3-Unit</td><td style="text-align: right;">17B</td></tr> <tr><td>Micro-Mist Standard, 2-Unit</td><td style="text-align: right;">17H</td></tr> <tr><td>Mist Standard, 3-Unit</td><td style="text-align: right;">07B</td></tr> </table>	Series		Micro-Mist Standard, 3-Unit	17B	Micro-Mist Standard, 2-Unit	17H	Mist Standard, 3-Unit	07B					<table border="1" style="width: 100%; border-collapse: collapse;"> <tr><th colspan="2">Engineering Level</th></tr> <tr><td>07B, 17B, 07H, 17H</td><td style="text-align: right;">Current</td></tr> <tr><td>D</td><td></td></tr> </table>		Engineering Level		07B, 17B, 07H, 17H	Current	D		<table border="1" style="width: 100%; border-collapse: collapse;"> <tr><th colspan="2">Modular Options</th></tr> <tr><td>Blank</td><td style="text-align: right;">No Port Blocks</td></tr> <tr><td>W</td><td style="text-align: right;">With Mounting Bracket</td></tr> </table>		Modular Options		Blank	No Port Blocks	W	With Mounting Bracket		
Series																														
Micro-Mist Standard, 3-Unit	17B																													
Micro-Mist Standard, 2-Unit	17H																													
Mist Standard, 3-Unit	07B																													
Engineering Level																														
07B, 17B, 07H, 17H	Current																													
D																														
Modular Options																														
Blank	No Port Blocks																													
W	With Mounting Bracket																													
<table border="1" style="width: 100%; border-collapse: collapse;"> <tr><th colspan="2">Port Size</th></tr> <tr><td>1/4 Inch (06/16)</td><td style="text-align: right;">1</td></tr> <tr><td>3/8 Inch</td><td style="text-align: right;">2</td></tr> <tr><td>1/2 Inch (06/16 with Port Blocks)</td><td style="text-align: right;">3</td></tr> <tr><td>3/4 Inch (07/17)</td><td style="text-align: right;">4</td></tr> </table>	Port Size		1/4 Inch (06/16)	1	3/8 Inch	2	1/2 Inch (06/16 with Port Blocks)	3	3/4 Inch (07/17)	4					<table border="1" style="width: 100%; border-collapse: collapse;"> <tr><th colspan="2">Lubricator Body Options</th></tr> <tr><td>B</td><td style="text-align: right;">With Fill Plug</td></tr> </table>		Lubricator Body Options		B	With Fill Plug										
Port Size																														
1/4 Inch (06/16)	1																													
3/8 Inch	2																													
1/2 Inch (06/16 with Port Blocks)	3																													
3/4 Inch (07/17)	4																													
Lubricator Body Options																														
B	With Fill Plug																													
<table border="1" style="width: 100%; border-collapse: collapse;"> <tr><th colspan="2">Filter Bowl Options</th></tr> <tr><td>Poly Bowl, Metal Bowl Guard, Twist Drain</td><td style="text-align: right;">2</td></tr> <tr><td>Metal Bowl, Twist Drain</td><td style="text-align: right;">3</td></tr> <tr><td>Metal Bowl, Sight Gauge, Auto Float Drain</td><td style="text-align: right;">4</td></tr> </table>	Filter Bowl Options		Poly Bowl, Metal Bowl Guard, Twist Drain	2	Metal Bowl, Twist Drain	3	Metal Bowl, Sight Gauge, Auto Float Drain	4					<table border="1" style="width: 100%; border-collapse: collapse;"> <tr><th colspan="2">Lubricator Bowl Options</th></tr> <tr><td>2</td><td style="text-align: right;">Poly Bowl, Metal Bowl Guard, No Drain</td></tr> <tr><td>4</td><td style="text-align: right;">Metal Bowl, Sight Gauge, Twist Drain</td></tr> </table>		Lubricator Bowl Options		2	Poly Bowl, Metal Bowl Guard, No Drain	4	Metal Bowl, Sight Gauge, Twist Drain										
Filter Bowl Options																														
Poly Bowl, Metal Bowl Guard, Twist Drain	2																													
Metal Bowl, Twist Drain	3																													
Metal Bowl, Sight Gauge, Auto Float Drain	4																													
Lubricator Bowl Options																														
2	Poly Bowl, Metal Bowl Guard, No Drain																													
4	Metal Bowl, Sight Gauge, Twist Drain																													
<table border="1" style="width: 100%; border-collapse: collapse;"> <tr><th colspan="2">Filter Element</th></tr> <tr><td>40 Micron</td><td style="text-align: right;">A</td></tr> <tr><td>5 Micron</td><td style="text-align: right;">B</td></tr> </table>	Filter Element		40 Micron	A	5 Micron	B					<table border="1" style="width: 100%; border-collapse: collapse;"> <tr><th colspan="2">Relief</th></tr> <tr><td>A</td><td style="text-align: right;">Relieving</td></tr> </table>		Relief		A	Relieving														
Filter Element																														
40 Micron	A																													
5 Micron	B																													
Relief																														
A	Relieving																													
					<table border="1" style="width: 100%; border-collapse: collapse;"> <tr><th colspan="4">Pressure Range</th></tr> <tr><th colspan="2">Without Gauge</th><th colspan="2">With Gauge</th></tr> <tr><td>13</td><td style="text-align: right;">125 psig</td><td>18</td><td style="text-align: right;">125 psig</td></tr> <tr><td>15*</td><td style="text-align: right;">250 psig</td><td>21*</td><td style="text-align: right;">250 psig</td></tr> </table>		Pressure Range				Without Gauge		With Gauge		13	125 psig	18	125 psig	15*	250 psig	21*	250 psig								
Pressure Range																														
Without Gauge		With Gauge																												
13	125 psig	18	125 psig																											
15*	250 psig	21*	250 psig																											
										* Only available on metal bowl.																				



06H, 16H Series (Reference Only)

A	A1	B	C	D	E	F	G	H	J
6.10	9.04	5.69	4.69	3.18	10.38	2.00	3.58	1.40	6.65
(155)	(230)	(145)	(119)	(81)	(264)	(51)	(91)	(36)	(169)

06B, 16B Series (Reference Only)

A	A1	B	C	D	E	F	G	H	J
9.46	12.39	5.69	2.24	3.18	7.93	2.00	3.58	1.40	3.33
(240)	(315)	(145)	(57)	(81)	(202)	(51)	(91)	(36)	(85)

07H, 17H Series

A	A1	B	C	D	E	F	G	H	J
7.00	10.28	6.97	4.79	3.44	11.76	2.09	3.58	1.40	7.51
(178)	(261)	(177)	(122)	(87)	(299)	(53)	(91)	(36)	(191)

07B, 17B Series

A	A1	B	C	D	E	F	G	H	J
10.75	14.03	6.97	2.41	3.44	9.38	2.18	3.58	1.40	3.76
(273)	(356)	(177)	(61)	(87)	(238)	(55)	(91)	(36)	(95)

Inches (mm)
 • All dimensions nominal.

Inches (mm)
 • All dimensions nominal.



For inventory, lead times, and kit lookup, visit www.pdnplu.com

Service Kits

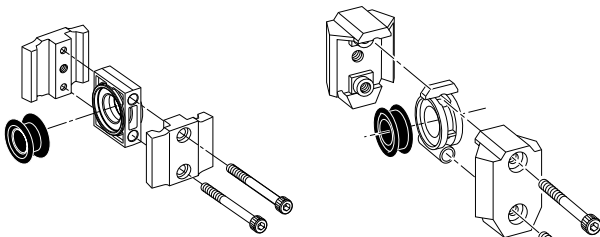
Body connector, (05 series)	PS954P
Body connector, (06 series)	PS754P
Body connector, (07 series)	PS854P
Wall mounting kits (05 series)	PS955P
Wall mounting kits (06 & 07 series)	PS755P
Lockout valves, (06 series)	PS756P
Lockout valves, (07 series)	PS856P
Modular manifold block 3/8" port, (06 series)	PS757P
Modular manifold block 1/2" port, (07 series)	PS857P

Body Connectors

Body connectors allow you to easily assemble and disassemble modular combinations.

Body connectors are required whenever you assemble two or more pieces together.

Each kit includes one set.



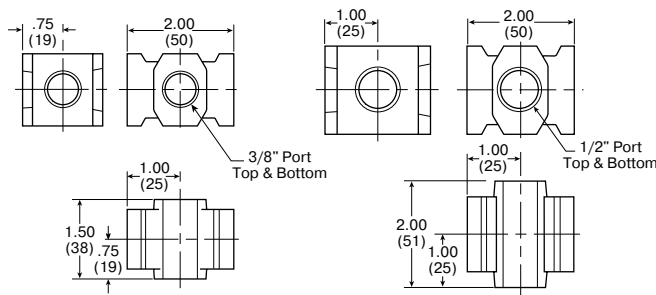
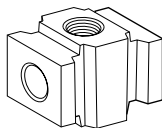
PS954P (05)

PS754P (06)
PS854P (07)

Modular Manifold Block

A modular manifold block can be used between any two modular units to give additional outlet ports. The manifold block provides 2 additional outlets in 3/8" and 1/2" sizes. Any standard pipe plug can be used to close off unused ports.

NOTE: Body connectors are not supplied with manifold blocks.



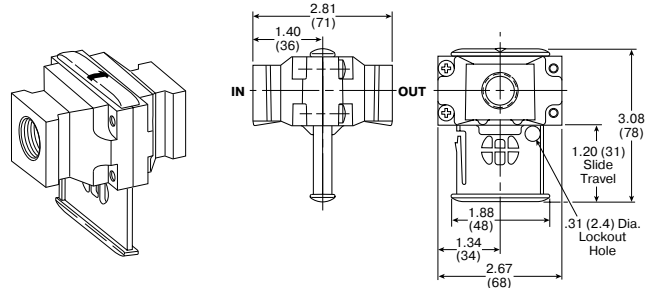
PS757P (06)

PS857P (07)

Lockout Valves

Lockout Valves provide positive shut-off and exhaust capability to isolate Modular units so they can be easily removed from the line and can be locked in a closed position. Center position can be used as a slow start. Accepts #3 padlock.

NOTE: Body connectors are not supplied with lockout valves.

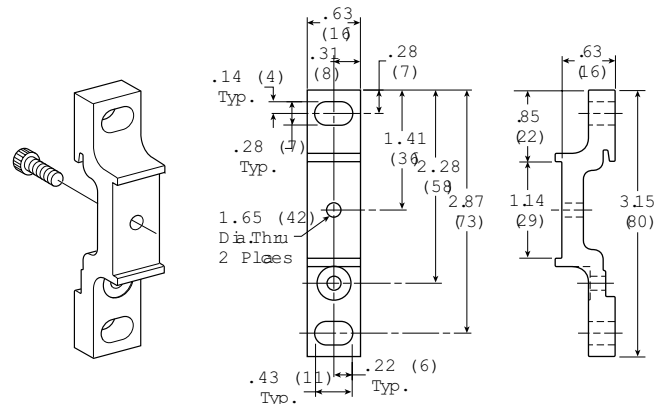


Wall Mounting Kits

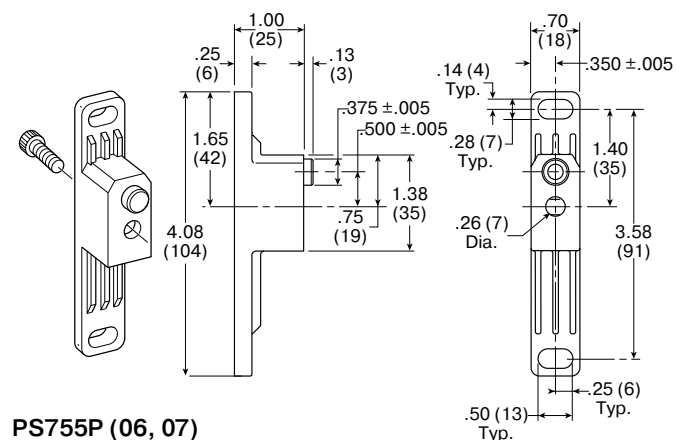
Wall mounting kits are available for mounting your modular assemblies and can be assembled and used with any standard body connector set.

Since modular combinations are always identical in size, you can predrill for wall mounting on your equipment.

Kit includes 1 assembly.



PS955P (05)



PS755P (06, 07)

Prep-Air® II
 Products



Filters

Coalescers

Regulators

Filter /
 Regulators

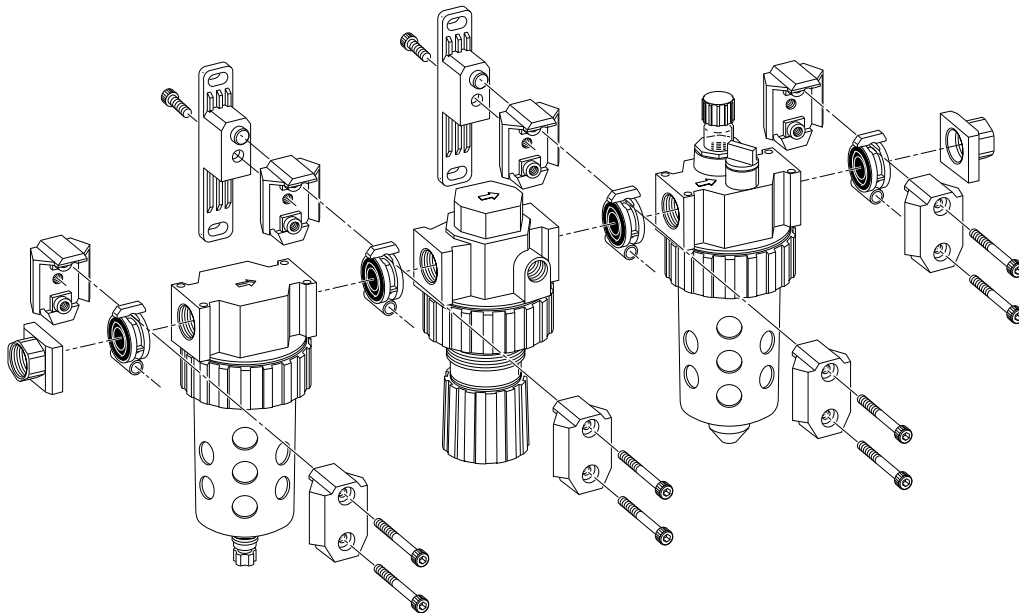
Lubricators

Combinations

Accessories



Modular Accessories - 06 Compact & 07 Standard Series



Port Block Connector Kits

06 Series

1/4" Port block kits, NPT	PS750P
1/4" Port block kits, BSPP	PS765P†
3/8" Port block kits, NPT	PS751P
3/8" Port block kits, BSPP	PS766P†
1/2" Port block kits, NPT	PS752P*
1/2" Port block kits, BSPP	PS767P*†

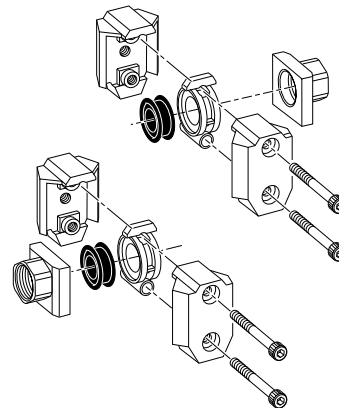
07 Series

1/4" Port block kits, NPT	PS850P
1/4" Port block kits, BSPP	PS865P
3/8" Port block kits, NPT	PS851P
3/8" Port block kits, BSPP	PS866P
1/2" Port block kits, NPT	PS852P
1/2" Port block kits, BSPP	PS867P†
3/4" Port block kits, NPT	PS853P
3/4" Port block kits, BSPP	PS860P

* Use 1/4 or 3/8 ported bodies.

† 1/4, 3/8 & 1/2 inch meet ISO 1179-1 Standard.

‡ 1/2 inch meets ISO 1179-1 Standard.



Port block connectors allow you to make threaded port connections to modular units and are available in various port sizes to match your system requirements.

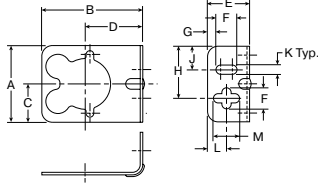
Each kit includes all the necessary pieces to make two port connections.

Prep-Air® II Products
Filters
Coalescers
Regulators
Filter / Regulators
Lubricators
Combinations
Accessories

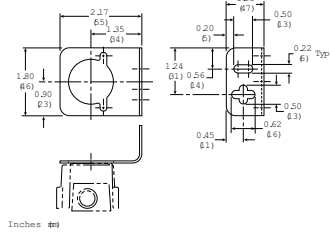


For inventory, lead times, and kit lookup, visit www.pdnplu.com

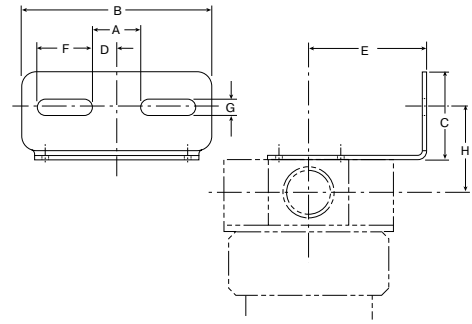
Mounting Bracket Kits



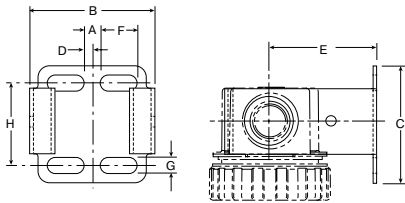
PS417BP
 (Includes Panel Mount Nut)



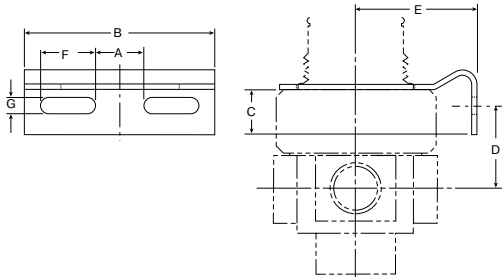
PS419
 (Includes Panel Mount Nut)



PS743P, PS843P

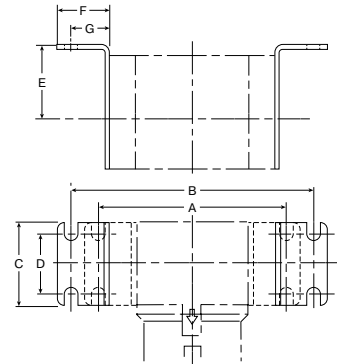


PS943P



PS707P & PS807P
 (Includes Panel Mount Nut)

PS963P
 (Includes Aluminum Panel Mount Nut)



P3NKA00MW

Dimensions

A	B	C	D	E	F	G	H	J	K	L	M	Kit
1.80 (46)	2.37 (60)	0.90 (23)	1.35 (34)	1.00 (25)	0.50 (13)	0.20 (5)	1.24 (31)	0.56 (14)	0.22 (6)	0.45 (11)	0.62 (16)	PS417BP (10F, 14F, P3A, 14R, 14E)
1.80 (46)	2.17 (55)	0.90 (23)	1.35 (34)	1.00 (25)	0.50 (13)	0.20 (5)	1.24 (31)	0.56 (14)	0.22 (6)	0.45 (11)	0.62 (16)	PS419 (04L)
0.84 (21)	3.25 (83)	1.50 (38)	0.42 (11)	2.00 (51)	0.94 (24)	0.28 (7)	1.44 (37)	—	—	—	—	PS743P (06F, 11F, 06L, 16L)
1.00 (25)	3.94 (100)	1.57 (40)	0.50 (13)	2.19 (56)	1.25 (32)	0.28 (7)	1.68 (43)	—	—	—	—	PS843P (07F, 12F, 07L, 17L)
0.28 (7)	2.12 (54)	2.00 (51)	0.14 (4)	1.85 (47)	0.63 (16)	0.28 (7)	1.41 (36)	—	—	—	—	PS943P (05F, 15F, 15L)
0.84 (21)	2.59 (66)	0.49 (12)	1.02 (26)	1.85 (47)	0.61 (15)	0.28 (7)	—	—	—	—	—	PS963P (05R, 10R, 05E, 27E)
0.84 (21)	3.26 (83)	0.77 (20)	1.46 (37)	2.00 (51)	0.94 (24)	0.28 (7)	—	—	—	—	—	PS707P (06R, 06E, 11R)
1.00 (25)	3.94 (100)	0.65 (17)	1.68 (43)	2.19 (56)	1.25 (32)	0.28 (7)	—	—	—	—	—	PS807P (07R, 07E, 12R)
6.22 (158)	8.19 (208)	2.75 (70)	1.97 (50)	2.36 (60)	1.77 (45)	1.30 (33)	—	—	—	—	—	P3NKA00MW (P3NF, P3NR, P3NE, P3NL)

inches (mm)

Prep-Air® II Products
F
 Filters
 Coalescers
 Regulators
 Filter / Regulators
 Lubricators
 Combinations
 Accessories



For inventory, lead times, and kit lookup, visit www.pdnplu.com

Prep-Air® II Products							
							
Filters							
Coalescers							
Regulators							
Filter / Regulators							
Lubricators							
Combinations							
Accessories							



For inventory, lead times, and kit lookup, visit www.pdnplu.com



Air Preparation Products
Stainless Steel Products

PF504 Particulate Filters	F2-F3
PF10 Particulate Filters	F4-F5
PF501 Coalescing Filters	F6-F7
PF11 Coalescing Filters	F8-F9
PR354 & PR364 Regulators	F10-F11
PR10 & PR11 Regulators	F12-F13
PB548 & PB558 Filter / Regulators	F14-F15
PB11 & PB12 Filter / Regulators	F16-F17
PL10 Lubricators	F18-F19

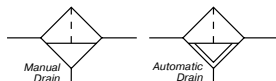


**Stainless Steel
Products**



PF504 Particulate Filters - Miniature

- Stainless steel construction handles most corrosive environments
- Fluorocarbon seals standard
- Meets NACE specifications MR-01-75/ISO 15156
- 1/8" female threaded drain
- 1/4" port (NPT, BSPP)



Port Size	Description	Part Number
1/4"	Twist Drain, NPT	PF504-02DHSS
1/4"	Auto Pulse Drain, NPT	PF504-02DHRSS

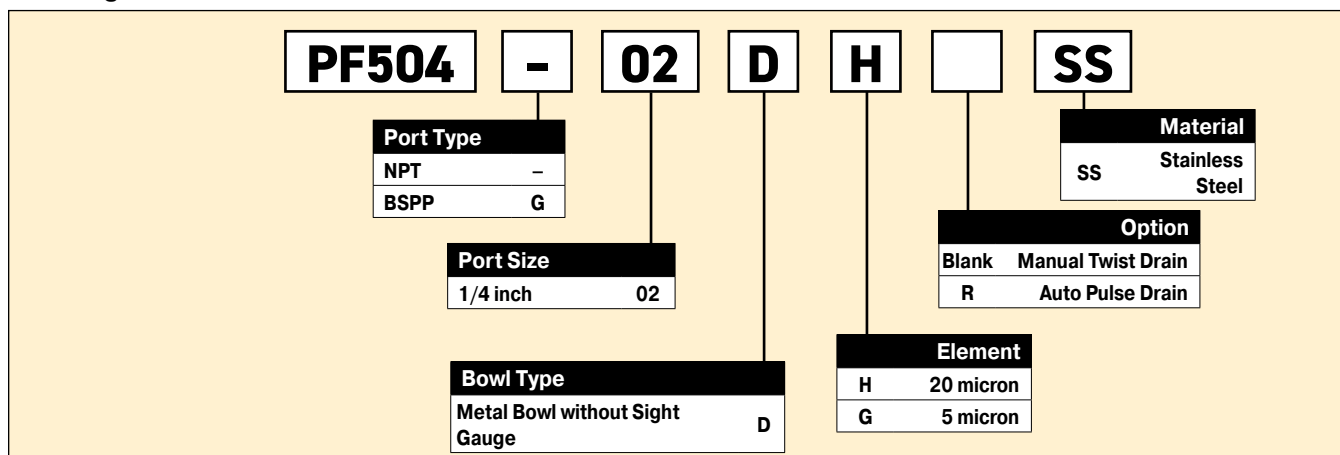
Operating information

Operating pressure:	
Twist drain	0 to 300 psig (0 to 20.7 bar)
Auto pulse drain	10 to 175 psig (0 to 12 bar)
Operating temperature:	
Twist drain	0°F to 180°F (-18°C to 82°C)
Auto pulse drain	32°F to 150°F (0°C to 66°C)
Flow capacity†:	23 scfm (10.9 dm ³ /s, ANR)
Bowl capacity:	1.0 oz.
Filter rating:	20 micron
Sump capacity:	0.4 oz.
Weight:	0.6 lb (0.27 kg)

Note: Air must be dry enough to avoid ice formation at temperatures below 32°F (0°C)

† scfm = Standard cubic feet per minute at 90 psig inlet and 5 psig pressure drop.

Ordering Information:



Most popular.

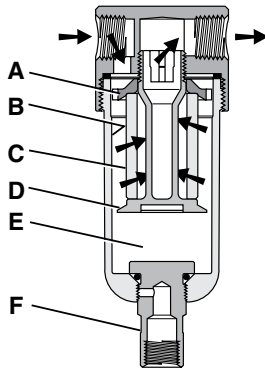


For inventory, lead times, and kit lookup, visit www.pdnplu.com

U
 Stainless Steel Products
 Filters
 Coalescers
 Regulators
 Filter / Regulators
 Lubricators

Miniature Particulate Filter

Operation

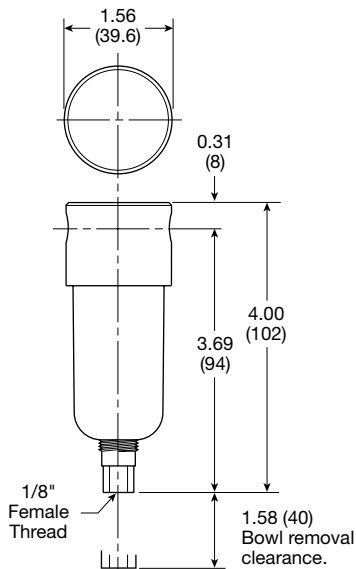


First Stage Filtration:

Air enters at inlet port and flows through deflector plate (A) which causes a swirling action. Liquids and coarse particles are forced to the bowl interior wall (B) by the centrifugal action of the swirling air. They are then carried down the bowl wall by the force of gravity. The baffle (D) separates the lower portion of the bowl into a "quiet zone" (E) where the removed liquid and particles collect, unaffected by the swirling air, and are therefore not reentrained into the flowing air.

Second Stage Filtration:

After liquids and large particles are removed in the first stages of filtration, the air flows through element (C) where smaller particles are filtered out. The filtered air then passes downstream. Collected liquids and particles in the "quiet zone" (E) should be drained before their level reaches a height where they would be reentrained in the flowing air. This can be accomplished by unscrewing the drain valve (F) slightly until the liquid begins to drain.



Inches (mm)

Air Preparation Products Stainless Steel

Material Specifications

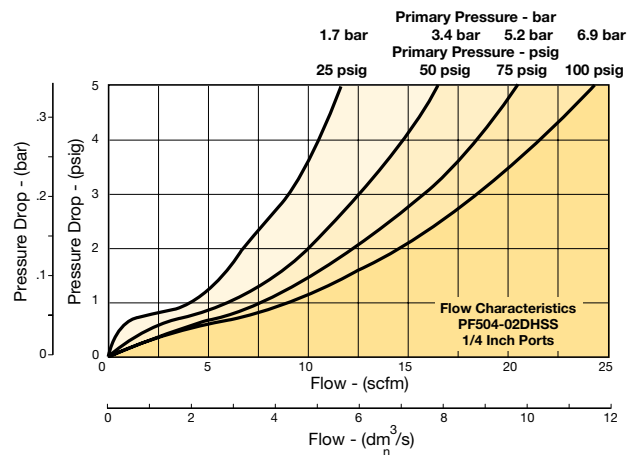
Body	316 stainless steel
Bowls	316 stainless steel
Deflector	Acetal
Drain	316 stainless steel
Element holder	Acetal
Filter element	Polyethylene
Seals	Fluorocarbon

Repair and Service Kits

Auto pulse drain	RK504SY-SS
Manual twist drain (small, old)	SA600Y7-1SS
Manual twist drain (large, new)	SAP05481
5 micron element	EK504VY
20 micron element	EK504Y
Pipe nipple, 1/4" 316 stainless steel	1/4 FF-SS

Flow Charts

PF504 1/4" Filter



F

Stainless Steel
Products

Filters

Coalescers

Regulators

Filter /
Regulators

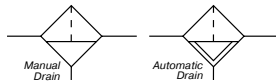
Lubricators



For inventory, lead times, and kit lookup, visit www.pdnplu.com

PF10 Particulate Filters - Standard

- Stainless steel construction handles most corrosive environments
- Fluorocarbon seals standard
- Meets NACE specifications MR-01-75/ISO 15156
- 1/8" female threaded drain
- 1/2" port (NPT, BSPP)



Port Size	Description	Part Number
1/2"	Twist Drain, with Sight Gauge, NPT	PF10-04WJSS
1/2"	Auto Float Drain, with Sight Gauge, NPT	PF10-04WJRSS

Operating information

Operating pressure:	
Twist drain, no sight gauge	0 to 300 psig (0 to 20.7 bar)
Twist drain, sight gauge	0 to 250 psig (0 to 17.2 bar)
Auto float drain	10 to 175 psig (0 to 12 bar)
Operating temperature:	
Twist drain, no sight gauge	0°F to 180°F (-18°C to 82°C)
Twist drain, sight gauge	0°F to 150°F (-18°C to 66°C)
Auto float drain	32°F to 150°F (0°C to 66°C)
Flow capacity†:	70 scfm (33 dm³/s, ANR)
Bowl capacity:	4.0 oz.
Filter rating:	40 micron
Sump capacity:	1.7 oz.
Weight:	1.9 lb (0.85 kg)

Note: Air must be dry enough to avoid ice formation at temperatures below 32°F (0°C)

† scfm = Standard cubic feet per minute at 90 psig inlet and 5 psig pressure drop.

Ordering Information:

PF10 - 04 D J [] SS

Port Type	-	Port Size	04	Bowl Type	D	Option	R	Material	SS
NPT	-	1/2 inch	04	Metal Bowl without Sight Gauge	D	Blank	Manual Twist Drain	SS	Stainless Steel
BSPP	G			Metal Bowl with Sight Gauge	W	R	Auto Float Drain		
						Element			
						J	40 micron		
						G	5 micron		

 Most popular.

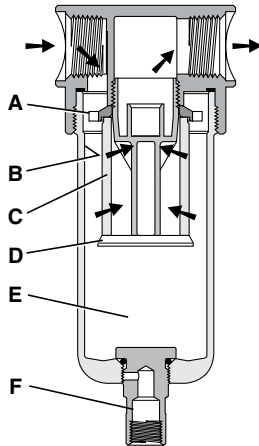


For inventory, lead times, and kit lookup, visit www.pdnplu.com

Stainless Steel Products
 Filters
 Coalescers
 Regulators
 Filter / Regulators
 Lubricators

Standard Particulate Filter

Operation

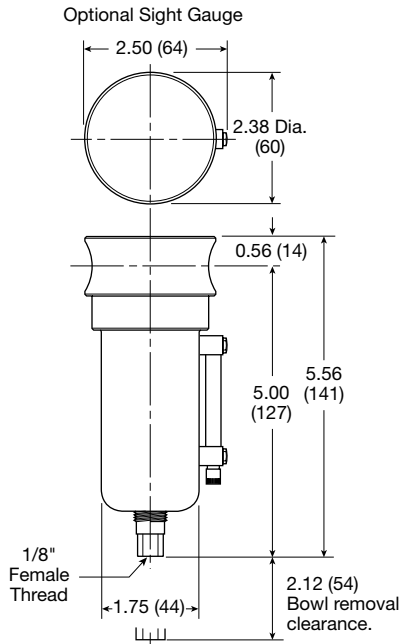


First Stage Filtration:

Air enters at inlet port and flows through deflector plate (A) which causes a swirling action. Liquids and coarse particles are forced to the bowl interior wall (B) by the centrifugal action of the swirling air. They are then carried down the bowl wall by the force of gravity. The baffle (D) separates the lower portion of the bowl into a "quiet zone" (E) where the removed liquid and particles collect, unaffected by the swirling air, and are therefore not reentrained into the flowing air.

Second Stage Filtration:

After liquids and large particles are removed in the first stages of filtration, the air flows through element (C) where smaller particles are filtered out. The filtered air then passes downstream. Collected liquids and particles in the "quiet zone" (E) should be drained before their level reaches a height where they would be reentrained in the flowing air. This can be accomplished by unscrewing the drain valve (F) slightly until the liquid begins to drain.



Inches (mm)

Air Preparation Products Stainless Steel

Material Specifications

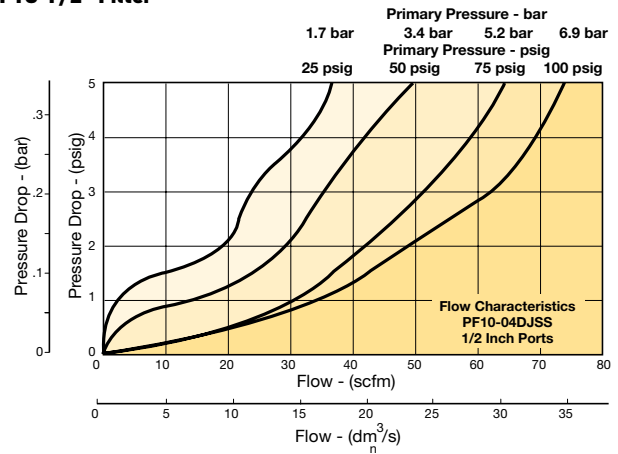
Body	316 stainless steel
Bowls	316 stainless steel
Deflector	Acetal
Drain	316 stainless steel
Element holder	Acetal
Filter element	Polyethylene
Seals	Fluorocarbon
Sight gauge	Isoplast

Repair and Service Kits

Automatic float drain	SA10MDSS
Manual twist drain (small, old)	SA600Y7-1SS
Manual twist drain (large, new)	SAP05481
40 micron element	EK55J
5 micron element	EK55G
Pipe nipple, 1/2" 316 stainless steel	616A28-SS

Flow Charts

PF10 1/2" Filter



F

Stainless Steel
Products

Filters

Coalescers

Regulators

Filter /
Regulators

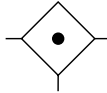
Lubricators



For inventory, lead times, and kit lookup, visit www.pdnplu.com

PF501 Coalescing Filters - Miniature

- Stainless steel construction handles most corrosive environments
- Meets NACE specifications MR-01-75/ISO 15156
- 1/8" female threaded drain
- 1/4" port (NPT, BSPP)



Port Size	Description	Part Number
1/4"	Twist Drain, NPT	PF501-02DHSS
1/4"	Auto Pulse Drain, NPT	PF501-02DHRSS

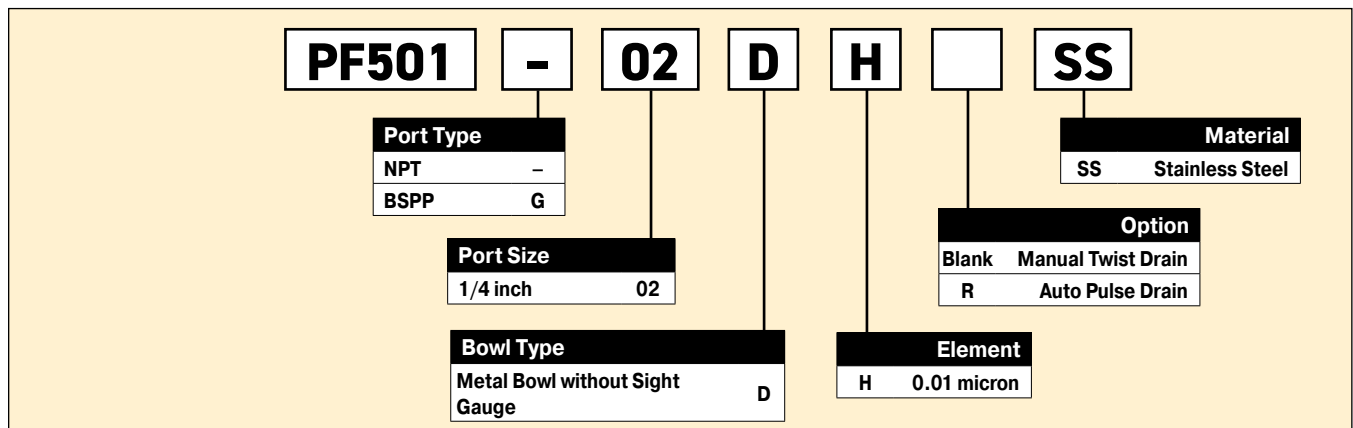
Operating information

Operating pressure:	
Twist drain	0 to 300 psig (0 to 20.7 bar)
Auto pulse drain	10 to 175 psig (0 to 12 bar)
Operating temperature:	
Twist drain	0°F to 180°F (-18°C to 82°C)
Auto pulse drain	32°F to 150°F (0°C to 66°C)
Flow capacity†:	16 scfm (7.6 dm³/s, ANR)
Bowl capacity:	1.0 oz.
Filter rating:	0.01 micron
Sump capacity:	0.4 oz.
Weight:	0.6 lb (0.27 kg)

Note: Air must be dry enough to avoid ice formation at temperatures below 32°F (0°C)

† scfm = Standard cubic feet per minute at 90 psig inlet and 5 psig pressure drop.

Ordering Information:



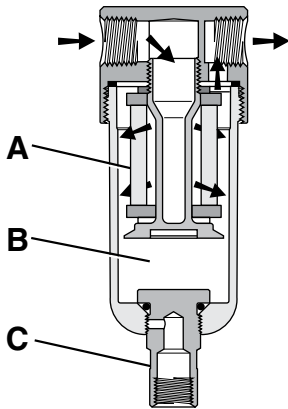
L
 Stainless Steel Products
 Filters
 Coalescers
 Regulators
 Filter / Regulators
 Lubricators



For inventory, lead times, and kit lookup, visit www.pdnplu.com

Miniature Coalescing Filter

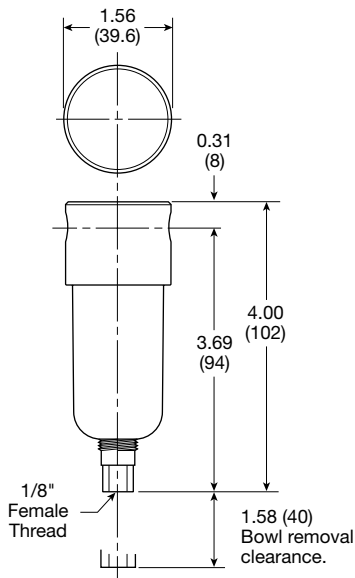
Operation



The contaminated air enters the element interior and is forced through a thick membrane (A) of "borosilicate" glass fibers coated with epoxy. Flow then passes through the element, and at this stage 99.97% of the sub-micronic particles have been removed from the air stream. The tiny droplets coalesce together and are collected from the filter element by the outer drain layer.

The clean, filtered air now passes through and out into the pneumatic system. The air line coalescing filter removes liquid aerosols and sub-micron particulate matter.

Collected liquids and particles in the "quiet zone" (B) should be drained before their level reaches a height where they would be reentrained in the flowing air. This can be accomplished by unscrewing the drain valve (C) slightly until the liquid begins to drain.



Inches (mm)

Air Preparation Products Stainless Steel

Material Specifications

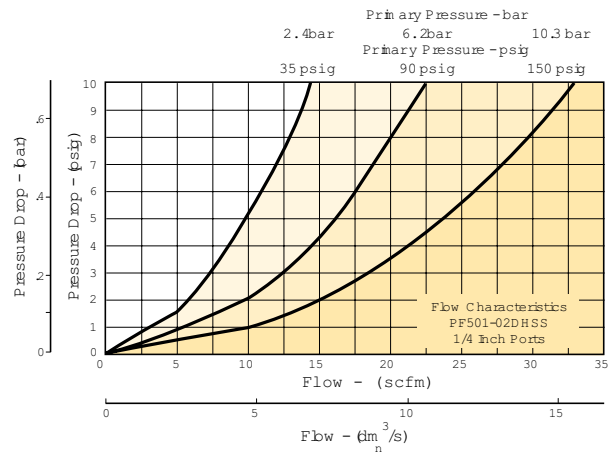
Body	316 stainless steel
Bowls	316 stainless steel
Drain	316 stainless steel
Element holder	Acetal
Filter element	Borosilicate Fiber
Seals	Fluorocarbon

Repair and Service Kits

Auto pulse drain	RK504SY-SS
Manual twist drain (small, old)	SA600Y7-1SS
Manual twist drain (large, new)	SAP05481
0.01 micron element	EKF501H
Pipe nipple, 1/4" 316 stainless steel	1/4 FF-SS

Flow Charts

PF501 1/4" Coalescing Filter



F

Stainless Steel
Products

Filters

Coalescers

Regulators

Filter /
Regulators

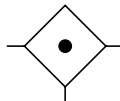
Lubricators



For inventory, lead times, and kit lookup, visit www.pdnplu.com

PF11 Coalescing Filters - Standard

- Stainless steel construction handles most corrosive environments
- Meets NACE specifications MR-01-75/ISO 15156
- 1/8" female threaded drain
- 1/2" port (NPT, BSPP)



Operating information

Operating pressure:	
Twist drain, no sight gauge	0 to 300 psig (0 to 20.7 bar)
Twist drain, sight gauge	0 to 250 psig (0 to 17.2 bar)
Auto float drain	10 to 175 psig (0 to 12 bar)
Operating temperature:	
Twist drain, no sight gauge	0°F to 180°F (-18°C to 82°C)
Twist drain, sight gauge	0°F to 150°F (-18°C to 66°C)
Auto float drain	32°F to 150°F (0°C to 66°C)
Flow capacity†:	45 scfm (21.2 dm³/s, ANR)
Bowl capacity:	4.0 oz.
Filter rating:	0.01 micron
Sump capacity:	1.7 oz.
Weight:	1.9 lb (0.85 kg)

Note: Air must be dry enough to avoid ice formation at temperatures below 32°F (0°C)

† scfm = Standard cubic feet per minute at 90 psig inlet and 5 psig pressure drop.

Port Size	Description	Part Number
1/2"	Twist Drain, with Sight Gauge, NPT	PF11-04WJSS
1/2"	Auto Float Drain, with Sight Gauge, NPT	PF11-04WJRSS

Ordering Information:

PF11	-	04	D	J		SS
Port Type		Port Size		Option		Material
NPT -		1/2 inch 04		Blank Manual Twist Drain		SS Stainless Steel
BSPP G				R Auto Float Drain		
Bowl Type			Element			
Metal Bowl without Sight Gauge D			J 0.01 micron			
Metal Bowl with Sight Gauge W						

Most popular.

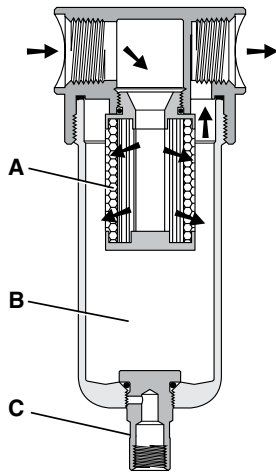


For inventory, lead times, and kit lookup, visit www.pdnplu.com

Stainless Steel Products
Filters
Coalescers
Regulators
Filter / Regulators
Lubricators

Standard Coalescing Filter

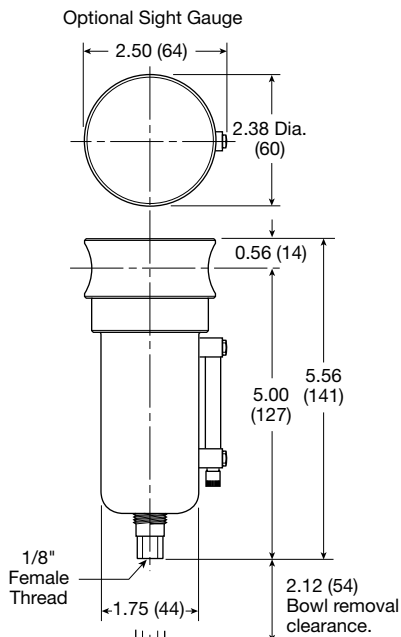
Operation



The contaminated air enters the element interior and is forced through a thick membrane (A) of "borosilicate" glass fibers coated with epoxy. Flow then passes through the element, and at this stage 99.9997% of the sub micronic particles have been removed from the air stream. The tiny droplets coalesce together and are collected from the filter element by the outer drain layer.

The clean, filtered air now passes through and out into the pneumatic system. The air line coalescing filter removes liquid aerosols and sub-micron particulate matter.

Collected liquids and particles in the "quiet zone" (B) should be drained before their level reaches a height where they would be reentrained in the flowing air. This can be accomplished by unscrewing the drain valve (C) slightly until the liquid begins to drain.



Inches (mm)

Air Preparation Products Stainless Steel

Material Specifications

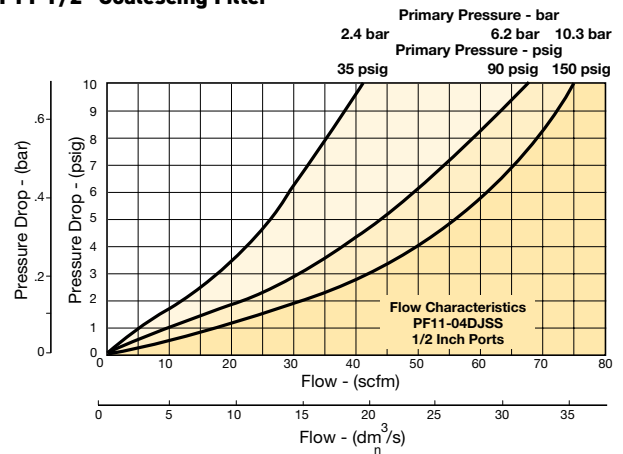
Body	316 Stainless Steel
Bowls	316 Stainless Steel
Drain	316 Stainless Steel
Element holder	Acetal
Filter element	Borosilicate Fiber
Seals	Fluorocarbon
Sight gauge	Isoplast

Repair and Service Kits

Automatic float drain	SA10MDSS
0.01 micron element	EKF71
Pipe nipple, 1/2" 316 stainless steel	616A28-SS

Flow Charts

PF11 1/2" Coalescing Filter



F

Stainless Steel
Products

Filters

Coalescers

Regulators

Filter /
Regulators

Lubricators



For inventory, lead times, and kit lookup, visit www.pdnplu.com

PR354, PR364 Regulator - Miniature

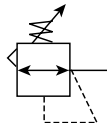
- Stainless steel construction handles most corrosive environments
- Large diaphragm to valve area ratio for precise regulation and high flow capacity
- Meets NACE specifications MR-01-75/ISO 15156
- 1/4" port (NPT, BSPP)



PR364



PR354



Port Size	Description	Part Number
1/4"	Standard Knob, NPT	PR364-02CSS
1/4"	Stainless Steel, NPT	PR354-02CSS

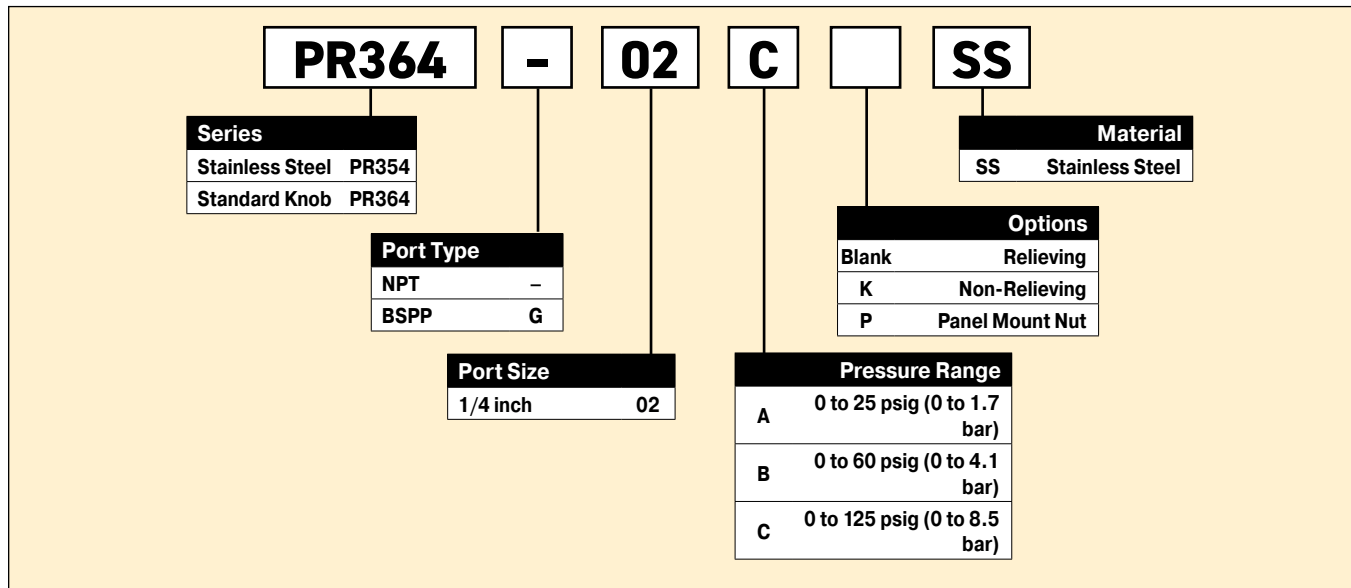
Operating information

Operating pressure:	
PR354	300 psig (20.7 bar)
PR364	300 psig (20.7 bar)
Operating temperature:	
PR354	0°F to 180°F (-18°C to 82°C)
PR364	0°F to 150°F (-18°C to 66°C)
Flow capacity†:	12 scfm (5.7 dm³/s, ANR)
Gauge port:	1/4 inch
Operation:	Fluorocarbon diaphragm
Weight:	0.5 lb (0.23 kg)

Note: Air must be dry enough to avoid ice formation at temperatures below 32°F (0°C)

† scfm = Standard cubic feet per minute at 100 psig inlet, 75 psig no flow secondary setting and 15 psig pressure drop.

Ordering Information:



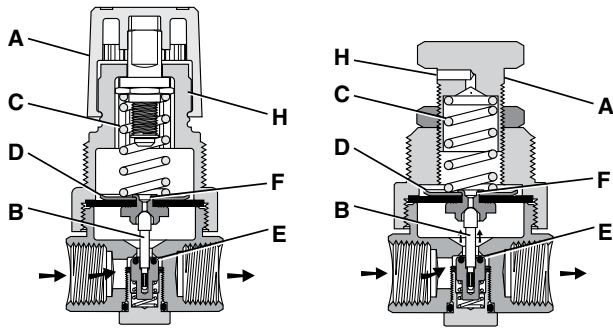
Most popular.



For inventory, lead times, and kit lookup, visit www.pdnplu.com

Stainless Steel Products
 Filters
 Coalescers
 Regulators
 Filter / Regulators
 Lubricators

Operation

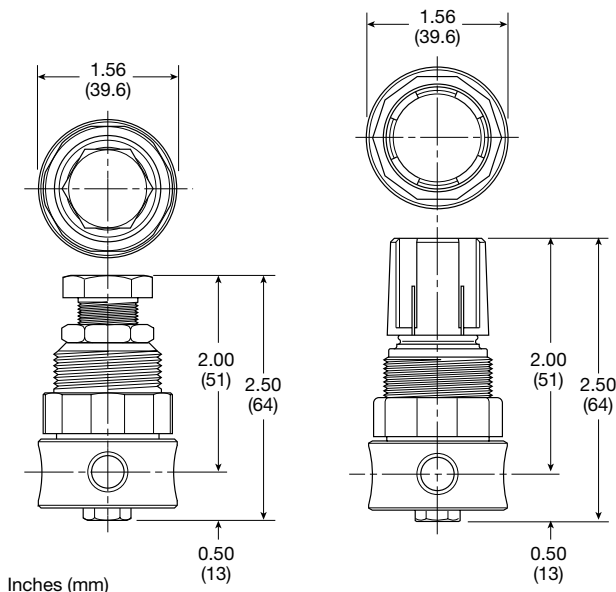


With the adjusting knob (A) turned fully counter-clockwise (no spring load), and pressure supplied to the regulator inlet port, the valve poppet assembly (B) is closed. Turning the adjusting knob clockwise applies a load to control spring (C). This load causes the diaphragm (D) and the valve poppet assembly (B) to move downward allowing flow across the seat area (E) created between the poppet assembly and the seat. Pressure in the downstream line is sensed below the diaphragm (D) and offsets the load of spring (C). As downstream pressure rises, poppet assembly (B) and diaphragm (D) move upward until the area (E) is closed and the load of the spring (C) and pressure under diaphragm (D) are in balance. A reduced outlet pressure has now been obtained, depending on spring load. Creating a demand downstream, such as opening a valve, results in a reduced pressure under the diaphragm (D). The load of control spring (C) now causes the poppet assembly to move downward opening seat area (E) allowing air to flow to meet the downstream demand. The flow of downstream air is metered by the amount of opening (E).

Should downstream pressure exceed the desired regulated pressure, the excess pressure will cause the diaphragm (D) to move upward against control spring (C), open vent hole (F), and vent the excess pressure to atmosphere through the hole in the bonnet (H). (This occurs in the relieving type regulator only.)

PR354

PR364



Material Specifications

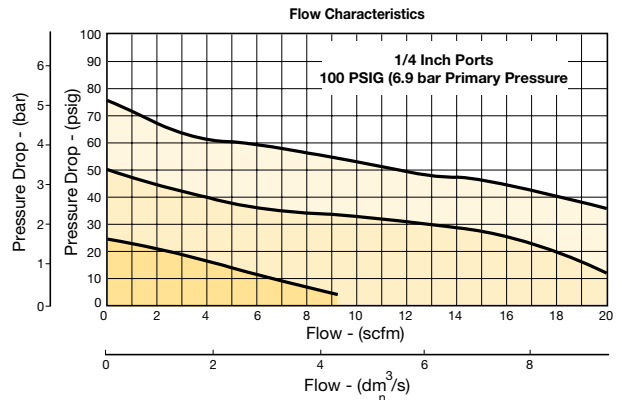
Adjustment mechanism / springs	316 stainless steel
Adjusting knob (PR354)	316 Stainless Steel
Adjusting knob (PR364)	Polypropylene
Body	316 stainless steel
Bonnet (PR354)	316 stainless steel
Bonnet (PR364)	Acetal
Bottom plug	316 stainless steel
Poppet	316 stainless steel
Seals	Fluorocarbon

Repair and Service Kits

PR354 bonnet kit	CKR354YSS
PR364 bonnet kit (knob included)	CKR364Y-1SS
1-1/2" face, 160 psig (0 to 1100 kPa), gauge (stainless)	K4515N14160SS
Panel mount bracket (Stainless)	161X57-SS
Panel mount nut, stainless	R05X51-SS
Panel mount nut, plastic	R05X51-P
Pipe nipple, 1/4" 316 stainless steel	1/4 FF-SS
Relieving	RKR364YSS
Non-relieving	RKR364KYSS
0-25 psig spring	SPR-375-2-SS
0-60 psig spring	SPR-376-1-SS
0-125 psig spring	SPR-377-1-SS

Flow Charts

PR354, PR364 1/4" Regulator



WARNING
 Product rupture can cause serious injury.
 Do not connect regulator to bottled gas.
 Do not exceed Maximum primary pressure rating.

CAUTION:

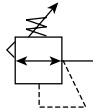
REGULATOR PRESSURE ADJUSTMENT – The working range of knob adjustment is designed to permit outlet pressures within their full range. Pressure adjustment beyond this range is also possible because the knob is not a limiting device. This is a common characteristic of most industrial regulators, and limiting devices may be obtained only by special design. For best performance, regulated pressure should always be set by increasing the pressure up to the desired setting.



For inventory, lead times, and kit lookup, visit www.pdnplu.com

PR10, PR11 Regulator - Standard

- Stainless steel construction handles most corrosive environments
- Large diaphragm to valve area ratio for precise regulation and high flow capacity
- Meets NACE specifications MR-01-75/ISO 15156
- Low temperature version available
- 1/2" port (NPT, BSPP)



PR11



PR10

Operating information

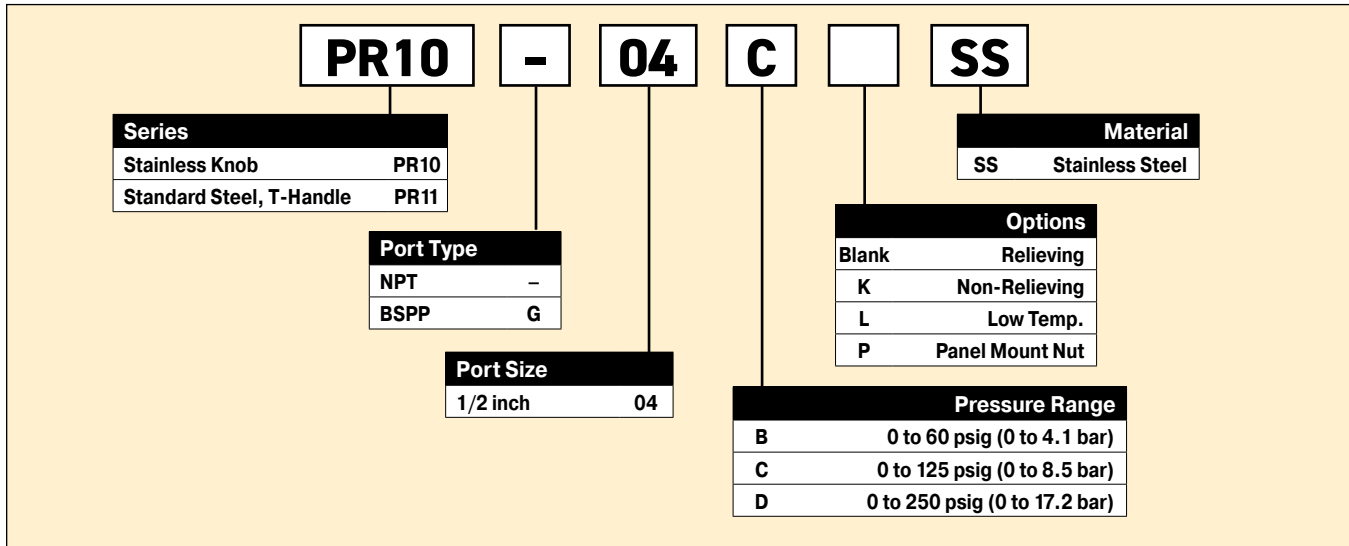
Operating pressure:	
PR10	300 psig (20.7 bar)
PR11	300 psig (20.7 bar)
Operating temperature:	
PR10	0°F to 150°F (-18°C to 66°C)
PR11	0°F to 180°F (-18°C to 82°C)
	Option "L" minimum -40°F (-40°C)
Flow capacity†:	80 scfm (37.8 dm³/s, ANR)
Gauge port:	1/4 inch
Operation:	Fluorocarbon diaphragm
Weight:	1.79 lb (0.81 kg)

Note: Air must be dry enough to avoid ice formation at temperatures below 32°F (0°C)

† scfm = Standard cubic feet per minute at 100 psig inlet, 75 psig no flow secondary setting and 15 psig pressure drop.

Port Size	Description	Part Number
1/2"	Standard Knob, NPT	PR10-04CSS
1/2"	Stainless Steel T-Handle, NPT	PR11-04CSS

Ordering Information:



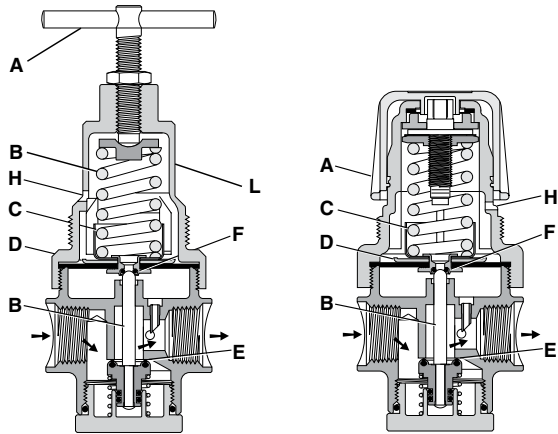
Most popular.



For inventory, lead times, and kit lookup, visit www.pdnplu.com

Stainless Steel Products
 Filters
 Coalescers
 Regulators
 Filter / Regulators
 Lubricators

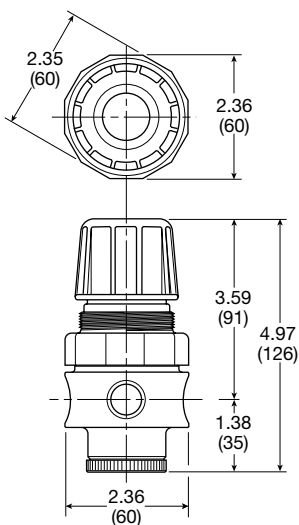
Operation



With the adjusting knob / T-Handle (A) turned fully counter-clockwise (no spring load), and pressure supplied to the regulator inlet port, the valve poppet assembly (B) is closed. Turning the adjusting knob clockwise applies a load to control spring (C). This load causes the diaphragm (D) and the valve poppet assembly (B) to move downward allowing flow across the seat area (E) created between the poppet assembly and the seat. Pressure in the downstream line is sensed below the diaphragm (D) and offsets the load of spring (C). As downstream pressure rises, poppet assembly (B) and diaphragm (D) move upward until the area (E) is closed and the load of the spring (C) and pressure under diaphragm (D) are in balance. A reduced outlet pressure has now been obtained, depending on spring load. Creating a demand downstream, such as opening a valve, results in a reduced pressure under the diaphragm (D). The load of control spring (C) now causes the poppet assembly to move downward opening seat area (E) allowing air to flow to meet the downstream demand. The flow of downstream air is metered by the amount of opening (E).

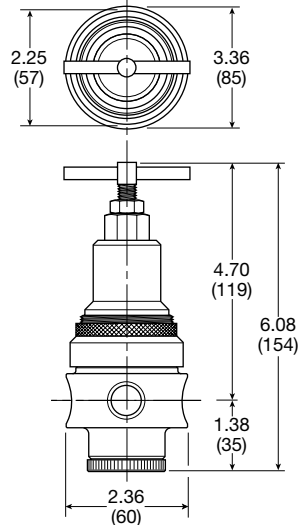
Should downstream pressure exceed the desired regulated pressure, the excess pressure will cause the diaphragm (D) to move upward against control spring (C), open vent hole (F), and vent the excess pressure to atmosphere through the hole in the bonnet (H). (This occurs in the relieving type regulator only.)

PR10



Inches (mm)

PR11



Material Specifications

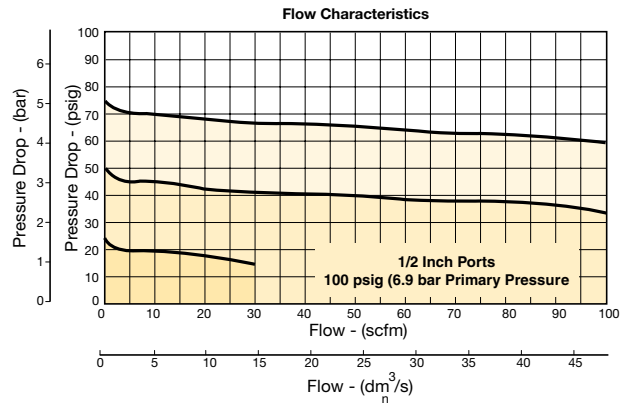
Adjustment mechanism / springs	316 stainless steel
Body	316 stainless steel
Bonnet / tee handle (PR11)	316 stainless steel
Bonnet / knob (PR10)	Acetal
Bottom plug	316 stainless steel
Poppet	316 stainless steel
Seals	Fluorocarbon

Repair and Service Kits

PR10 bonnet kit (knob included)	CKR10YSS
PR11 bonnet kit	CKR11YSS
2" Face 160 psig (0 to 1100 kPa), gauge (stainless)	K4520N14160SS
Panel mount bracket (stainless)	R10Y57-SS
Panel mount nut, stainless	R10X51-SS
Panel mount nut, plastic	R10X51-P
Pipe nipple, 1/2" 316 stainless steel	616A28-SS
Relieving	RKR10YSS
Non-relieving	RKR10KYSS
0-60 psig spring	SPR-388-1-SS
0-125 psig spring	SPR-389-1-SS
0-250 psig spring	SPR-390-1-SS

Flow Charts

PR10 1/2" Regulator



WARNING

Product rupture can cause serious injury.
 Do not connect regulator to bottled gas.
 Do not exceed Maximum primary pressure rating.

CAUTION:

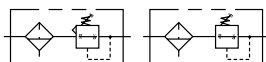
REGULATOR PRESSURE ADJUSTMENT – The working range of knob adjustment is designed to permit outlet pressures within their full range. Pressure adjustment beyond this range is also possible because the knob is not a limiting device. This is a common characteristic of most industrial regulators, and limiting devices may be obtained only by special design. For best performance, regulated pressure should always be set by increasing the pressure up to the desired setting.



For inventory, lead times, and kit lookup, visit www.pdnplu.com

PB548, PB558 Filter / Regulator - Miniature

- Stainless steel construction handles most corrosive environments
- Large diaphragm to valve area ratio for precise regulation and high flow capacity
- 1/8" female threaded drain
- Meets NACE specifications MR-01-75/ISO 15156
- 1/4" port (NPT, BSPP)



PB548

PB558

Port Size	Description	Part Number
1/4"	Standard Knob, NPT	PB548-02DHCSS
1/4"	Stainless Steel, NPT	PB558-02DHCSS

Operating information

Operating pressure:
 PB548 300 psig (20.7 bar)
 PB558 300 psig (20.7 bar)
 Auto pulse drain 10 to 175 psig (0 to 12 bar)

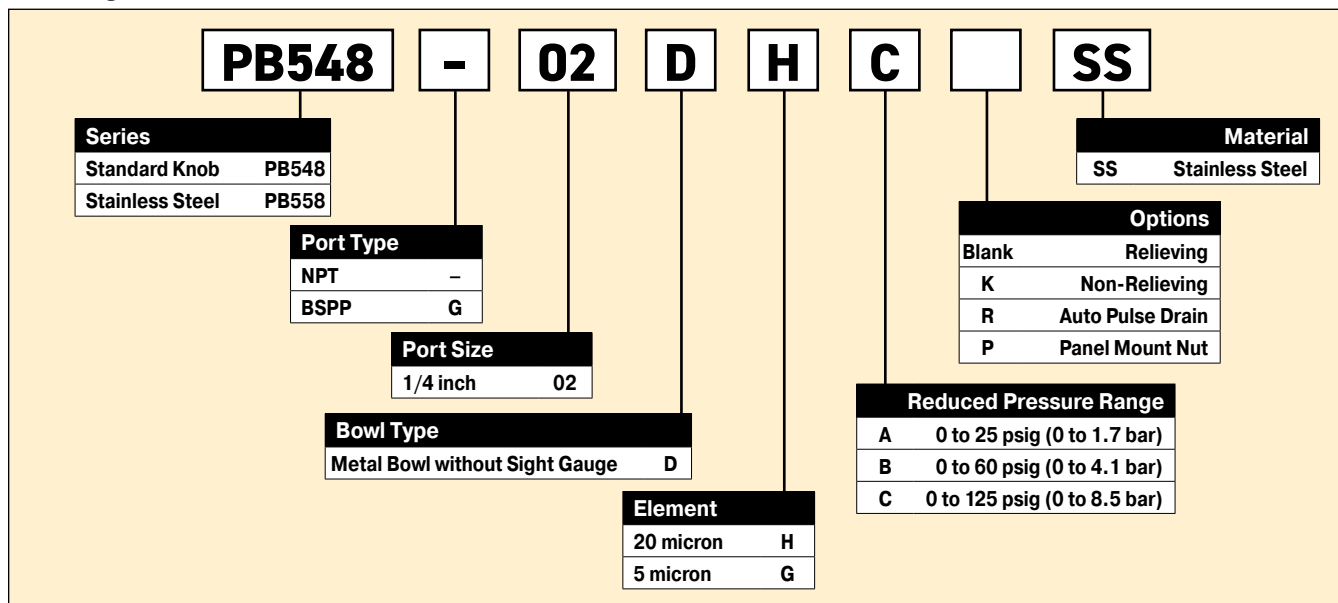
Operating temperature:
 PB548 0°F to 150°F (-18°C to 66°C)
 PB558 0°F to 180°F (-18°C to 82°C)
 Auto pulse drain 32°F to 150°F (0°C to 66°C)

Flow capacity†: 12 scfm (5.7 dm³/s, ANR)
 Bowl capacity: 1.0 oz.
 Filter rating: 20 micron
 Sump capacity: 0.4 oz.
 Gauge port: 1/4 inch
 Operation: Fluorocarbon diaphragm
 Weight: 0.6 lb (0.27 kg)

Note: Air must be dry enough to avoid ice formation at temperatures below 32°F (0°C)

† scfm = Standard cubic feet per minute at 100 psig inlet, 75 psig no flow secondary setting and 15 psig pressure drop.

Ordering Information:



Most popular.



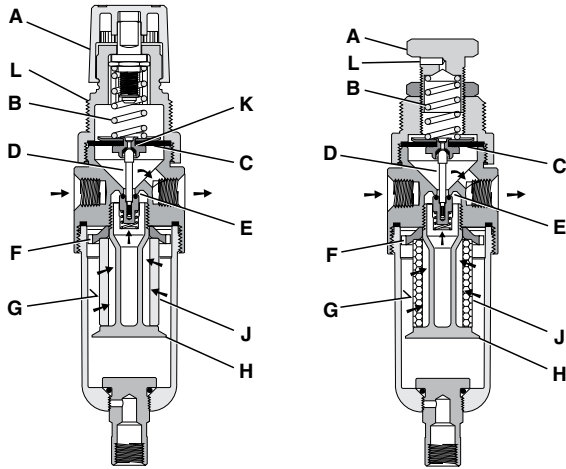
For inventory, lead times, and kit lookup, visit www.pdnplu.com

Stainless Steel Products
 Filters
 Coalescers
 Regulators
 Filter / Regulators
 Lubricators

Miniature Filter / Regulator

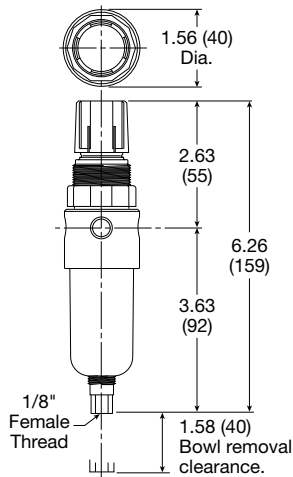
Air Preparation Products Stainless Steel

Operation



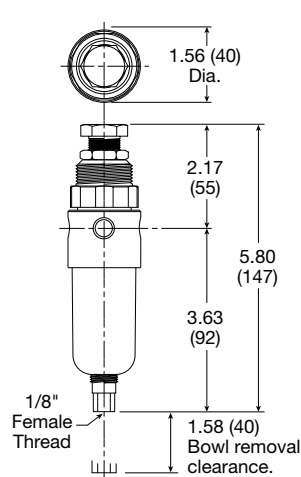
Turning the adjusting knob (A) clockwise applies a load to control spring (B) which forces diaphragm (C) and valve poppet assembly (D) to move downward allowing filtered air to flow through the seat area (E) created between the poppet assembly and the seat. "First stage filtration". Air pressure supplied to the inlet port is directed through deflector plate (F) causing a swirling centrifugal action forcing liquids and coarse particles to the inner bowl wall (G) and down below the lower baffle (H) to the quiet zone. After liquids and large particles are removed in the first stage of filtration "second stage filtration" occurs as air flows through element (J) where smaller particles are filtered out and retained. The air flow now passes through seat area (E) to the outlet port of the unit. Pressure in the downstream line is sensed below the diaphragm (C) and offsets the load of spring (B). When downstream pressure reaches the set-point, poppet valve assembly (D) and diaphragm (C) move upward closing seat area (E). Should downstream pressure exceed the desired regulated pressure, the excess pressure will cause the diaphragm (C) to move upward opening vent hole (K) venting the excess pressure to atmosphere through the hole in the bonnet (L). (This occurs in the standard relieving type filter/regulators only.)

PB548



Inches (mm)

PB558



Material Specifications

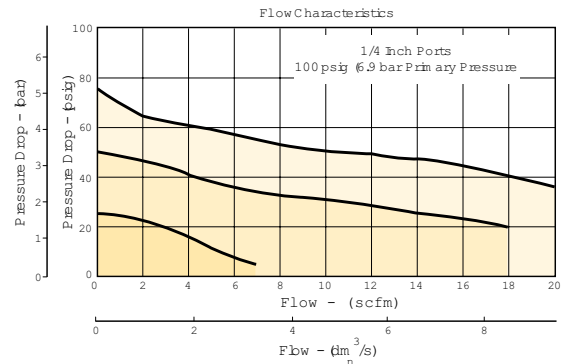
Adjustment mechanism / springs	316 stainless steel
Body	316 Stainless steel
Bonnet (PB548)	Acetal
Bonnet (PB558)	316 stainless steel
Bottom plug	316 stainless steel
Knob (PB548)	Polypropylene
Knob (PB558)	316 stainless steel
Poppet	316 stainless steel
Seals	Fluorocarbon

Repair and Service Kits

PB558 bonnet kit (knob included)	CKR354YSS
PB548 bonnet kit (knob included)	CKR364Y-1SS
Automatic pulse drain	RK504SY-SS
Manual twist drain (small, old)	SA600Y7-1SS
Manual twist drain (large, new)	SAP05481
5 micron element	EK504VY
20 micron element	EK504Y
1-1/2" face 160 psig (0 to 1100 kPa), gauge (stainless)	K4515N14160SS
Panel mount bracket (stainless)	161X57-SS
Panel mount nut, stainless	R05X51-SS
Panel mount nut, plastic	R05X51-P
Pipe nipple, 1/4" 316 stainless steel	1/4 FF-SS
Relieving	RK549YSS
Non-relieving	RK548YSS
0-25 psig spring	SPR-375-2-SS
0-60 psig spring	SPR-376-1-SS
0-125 psig spring	SPR-377-1-SS

Flow Charts

PB548, PB558 1/4" Filter / Regulator



WARNING
Product rupture can cause serious injury.
Do not connect regulator to bottled gas.
Do not exceed Maximum primary pressure rating.

CAUTION:

REGULATOR PRESSURE ADJUSTMENT – The working range of knob adjustment is designed to permit outlet pressures within their full range. Pressure adjustment beyond this range is also possible because the knob is not a limiting device. This is a common characteristic of most industrial regulators, and limiting devices may be obtained only by special design. For best performance, regulated pressure should always be set by increasing the pressure up to the desired setting.



For inventory, lead times, and kit lookup, visit www.pdnplu.com

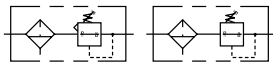
PB11, PB12 Filter / Regulator - Standard

- Stainless steel construction handles most corrosive environments
- Large diaphragm to valve area ratio for precise regulation and high flow capacity
- 1/8" female threaded drain
- Meets NACE specifications MR-01-75/ISO-15156
- Low temperature version available
- 1/2" port (NPT, BSPP)



PB11

PB12



Port Size	Description	Part Number
With Sight Gauge, NPT		
1/2"	Standard Knob, Twist Drain	PB11-04WJCSS
1/2"	Standard Knob, Auto Float Drain	PB11-04WJCRSS
1/2"	Stainless Steel T-Handle, Twist Drain	PB12-04WJCSS
1/2"	Stainless Steel T-Handle, Auto Float Drain	PB12-04WJCRSS

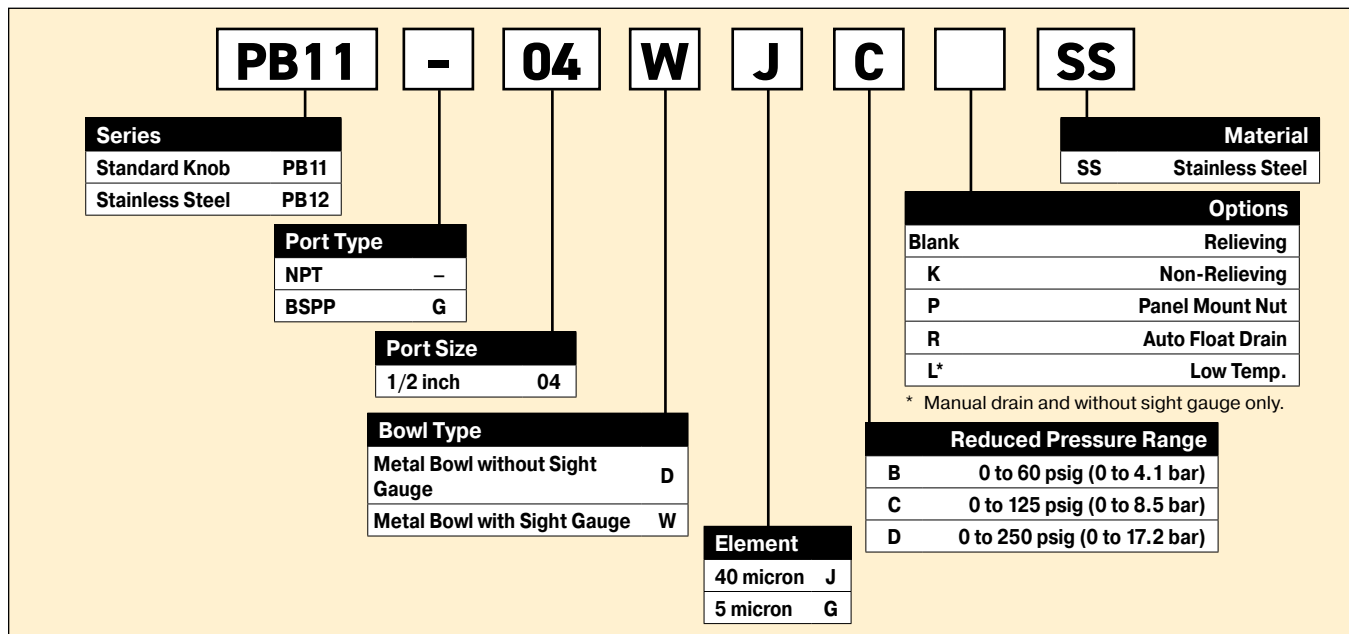
Operating information

Operating pressure:	
PB11, PB12	300 psig (20.7 bar)
Auto float drain	15 to 175 psig (1 to 12 bar)
Operating temperature:	
PB11	0°F to 150°F (-18°C to 66°C)
PB12, no sight gauge	0°F to 180°F (-18°C to 82°C)
PB12, sight gauge	0°F to 150°F (-18°C to 66°C)
Auto float drain	32°F to 150°F (0°C to 66°C)
Flow capacity [†] :	72 scfm (34 dm ³ /s, ANR)
Bowl capacity:	4.0 oz.
Filter rating:	40 micron
Sump capacity:	1.7 oz.
Gauge port:	1/4 inch
Operation:	Fluorocarbon diaphragm
Weight:	2.42 lb (1.09 kg)

Note: Air must be dry enough to avoid ice formation at temperatures below 32°F (0°C)

[†] scfm = Standard cubic feet per minute at 100 psig inlet, 75 psig no flow secondary setting and 15 psig pressure drop.

Ordering Information:



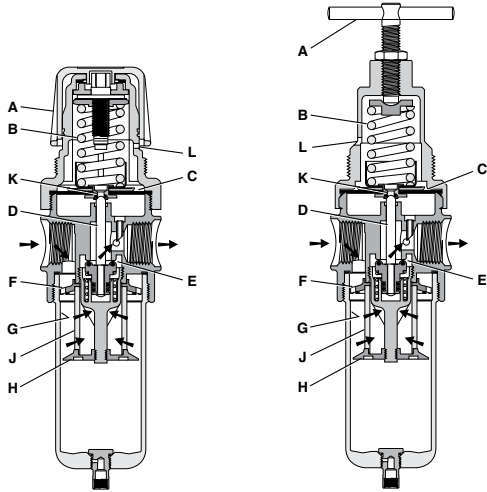
Most popular.



For inventory, lead times, and kit lookup, visit www.pdnplu.com

Standard Filter / Regulator

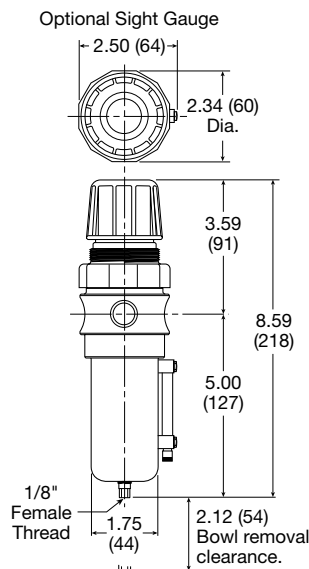
Operation



Turning the adjusting knob / T-Handle (A) clockwise applies a load to control spring (B) which forces diaphragm (C) and valve poppet assembly (D) to move downward allowing filtered air to flow through the seat area (E) created between the poppet assembly and the seat. "First stage filtration". Air pressure supplied to the inlet port is directed through deflector plate (F) causing a swirling centrifugal action forcing liquids and coarse particles to the inner bowl wall (G) and down below the lower baffle (H) to the quiet zone. After liquids and large particles are removed in the first stage of filtration "second stage filtration" occurs as air flows through element (J) where smaller particles are filtered out and retained. The air flow now passes through seat area (E) to the outlet port of the unit. Pressure in the downstream line is sensed below the diaphragm (C) and offsets the load of spring (B). When downstream pressure reaches the set-point, poppet valve assembly (D) and diaphragm (C) move upward closing seat area (E). Should downstream pressure exceed the desired regulated pressure, the excess pressure will cause the diaphragm (C) to move upward opening vent hole (K) venting the excess pressure to atmosphere through the hole in the bonnet (L). (This occurs in the standard relieving type filter/regulators only.)

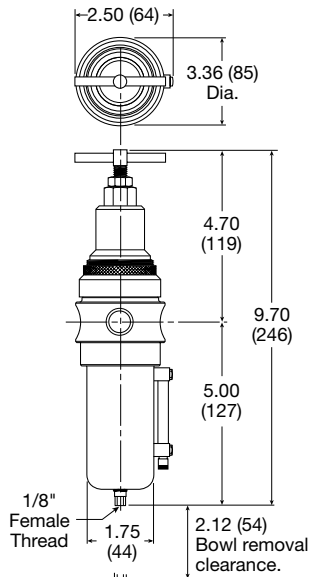
PB11

Inches (mm)



PB12

Optional Sight Gauge



Air Preparation Products Stainless Steel

Material Specifications

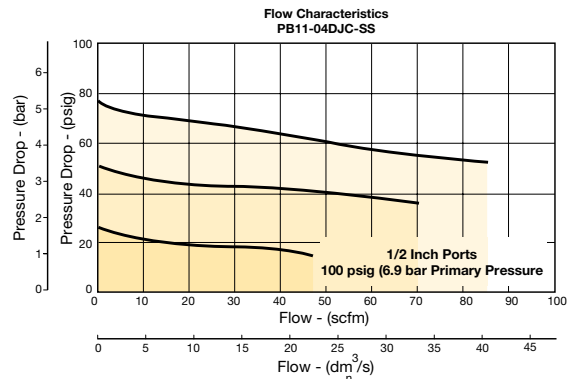
Adjustment mechanism / springs	316 stainless steel
Body	316 stainless steel
Bonnet / knob (PB11)	Acetal
Bonnet / tee handle (PB12)	316 stainless steel
Bottom plug	316 stainless steel
Poppet	316 stainless steel
Seals	Fluorocarbon
Sight gauge	Isoplast

Repair and Service Kits

PB11 bonnet kit (knob included)	CKR10YSS
PB12 bonnet kit	CKR11YSS
Auto float drain	SA10MDSS
Manual twist drain (small, old)	SA600Y7-1SS
Manual twist drain (large, new)	SAP05481
40 micron element	EKF10Y
5 micron element	EKF10VY
2" face 160 psig (0 to 1100 kPa), gauge (stainless)	K4520N14160SS
Panel mount bracket (stainless)	R10Y57-SS
Panel mount nut, stainless	R10X51-SS
Panel mount nut, plastic	R10X51-P
Pipe nipple, 1/2" 316 stainless steel	616A28-SS
Relieving	RKR10YSS
Non-relieving	RKR10KYSS
0-60 psig spring	SPR-388-1-SS
0-125 psig spring	SPR-389-1-SS
0-250 psig spring	SPR-390-1-SS

Flow Charts

PB11 1/2" Filter / Regulator



WARNING
Product rupture can cause serious injury.
Do not connect regulator to bottled gas.
Do not exceed Maximum primary pressure rating.

CAUTION:

REGULATOR PRESSURE ADJUSTMENT – The working range of knob adjustment is designed to permit outlet pressures within their full range. Pressure adjustment beyond this range is also possible because the knob is not a limiting device. This is a common characteristic of most industrial regulators, and limiting devices may be obtained only by special design. For best performance, regulated pressure should always be set by increasing the pressure up to the desired setting.



For inventory, lead times, and kit lookup, visit www.pdnplu.com

PL10 Lubricators - Standard

- Stainless steel construction handles most corrosive environments
- 1/8" female threaded drain
- Fillable under pressure
- Meets NACE specifications MR-01-75/ISO 15156
- 1/2" port (NPT, BSPP)



Port Size	Description	Part Number
1/2"	Twist Drain, with Sight Gauge, NPT	PL10-04WSS
1/2"	Twist Drain, without Sight Gauge, NPT	PL10-04DSS

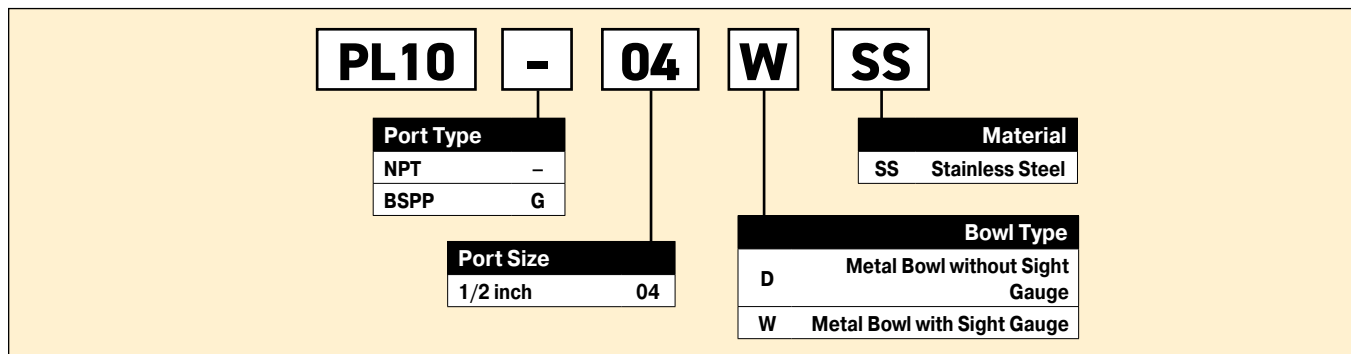
Operating information

Operating pressure:	
Metal bowl, no sight gauge	0 to 300 psig (0 to 20.7 bar)
Metal bowl, sight gauge	0 to 250 psig (0 to 17.2 bar)
Operating temperature:	
Metal bowl, no sight gauge	0°F to 150°F (-18°C to 66°C)
Metal bowl, sight gauge	0°F to 150°F (-18°C to 66°C)
Flow capacity†:	100 scfm (47.2 dm³/s, ANR)
Bowl capacity:	4.0 oz.
Weight:	1.9 lb (0.85 kg)

Note: Air must be dry enough to avoid ice formation at temperatures below 32°F (0°C)

† scfm = Standard cubic feet per minute at 90 psig inlet and 5 psig pressure drop.

Ordering Information:



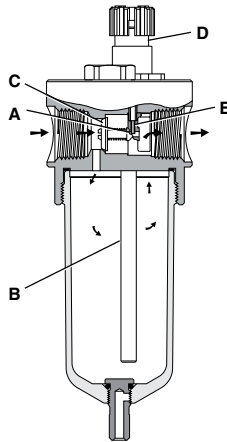
Most popular.



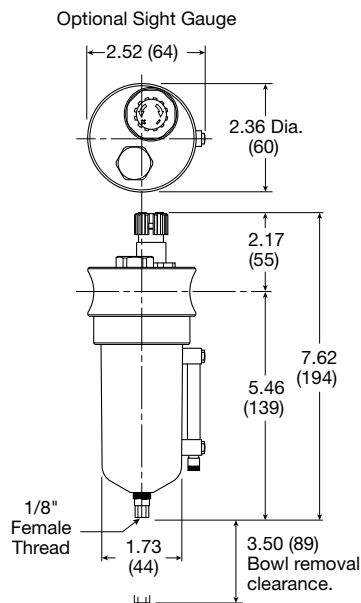
For inventory, lead times, and kit lookup, visit www.pdnplu.com

L
 Stainless Steel Products
 Filters
 Coalescers
 Regulators
 Filter / Regulators
 Lubricators

Operation



Air flowing through the unit goes through two paths. At low flow rates the majority of the air flows through the Venturi section (A). The rest of the air opens the check valve (C). The velocity of the air flowing through the Venturi section (A) creates a pressure drop. This lower pressure allows the oil to be forced from the reservoir through the pickup tube (B) and travels up to the metering screw (D). The rate of oil delivery is then controlled by adjusting the metering screw (D). Oil flows past the metering screw (D) and forms a drop in the nozzle tube (E). As the oil drops through the dome (F) and back into the Venturi section (A), it is broken up into fine particles. It is then mixed with the air flowing past the check valve (C) and is carried downstream. As the air flow increases the check valve (C) will open more fully. This additional flow will assure that the oil delivery rate will increase linearly with the increase of air flow.



Inches (mm)

Material Specifications

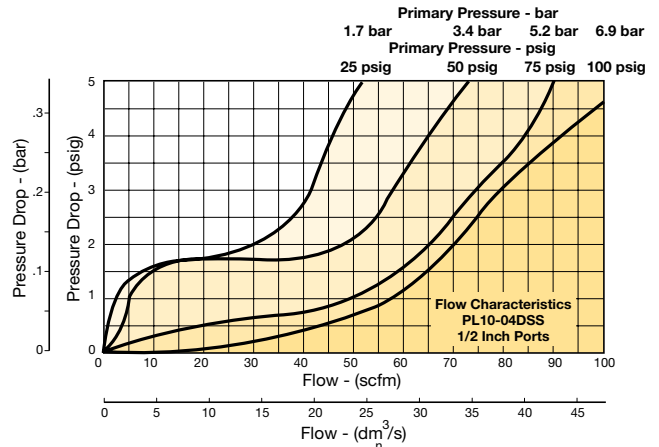
Body	316 stainless steel
Bowl	316 stainless steel
Dip tube	316 stainless steel
Drain	316 stainless steel
Fill plug	316 stainless steel
Seals	Fluorocarbon
Sight dome	Nylon
Sight gauge	Isoplast

Repair and Service Kits

Manual twist drain (small, old)	SA600Y7-1SS
Manual twist drain (large, new)	SAP05481
Pipe nipple, 1/2" 316 stainless steel	616A28-SS
Sight dome kit, (old)	RKL10SS
Sight dome kit, (new)	PS740N

Flow Charts

PL10 1/2" Lubricator



F

Stainless Steel
 Products

Filters

Coalescers

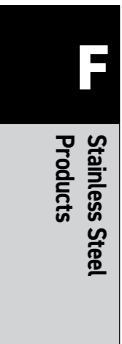
Regulators

Filter /
 Regulators

Lubricators



For inventory, lead times, and kit lookup, visit www.pdnplu.com



For inventory, lead times, and kit lookup, visit www.pdnplu.com

F20

Parker Hannifin Corporation
Pneumatic Division
Richland, Michigan
www.parker.com/pneumatics

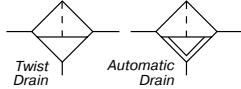


Air Preparation Products
P3N Series

P3NF Particulate Filters	G2-G3
P3NF Coalescing Filters	G4-G5
P3NR Regulators	G6-G7
P3NR Pilot Controlled Regulators	G8-G9
P3NE Filter / Regulators	G10-G11
P3NL Lubricators	G12-G13
P3NC Modular Combinations	G14-G15

P3NF Particulate Filters - Hi-Flow

- Port blocks (PB) available to provide 1-1/2" port extension to 1" ported bodies
- Excellent water removal efficiency
- Metal bowl with sight gauge
- Large filter element surface guarantees low pressure drop and increased element life
- Twist drain as standard, optional auto float drain
- 3/4", 1", 1-1/2" port, NPT & BSPP



Port Size	Description	Part Number
3/4"	Metal Bowl, Sight Gauge, Twist Drain	P3NFA96GSM
3/4"	Metal Bowl, Sight Gauge, Auto Float Drain	P3NFA96GSA
1"	Metal Bowl, Sight Gauge, Twist Drain	P3NFA98GSM
1"	Metal Bowl, Sight Gauge, Auto Float Drain	P3NFA98GSA
1-1/2"*	Metal Bowl, Sight Gauge, Twist Drain	P3NFA9PGSM
1-1/2"*	Metal Bowl, Sight Gauge, Auto Float Drain	P3NFA9PGSA

1" port body with 1-1/2" port block.

Operating information

Supply pressure (max):	0 to 250 psig (0 to 17.2 bar)	
Operating temperature:	32°F to 175°F (0°C to 80°C)	
Flow capacity ¹ :		
High flow	3/4"	270 scfm (127.4 dm ³ /s, ANR)
	1"	300 scfm (141.6 dm ³ /s, ANR)
	1-1/2"	300 scfm (141.6 dm ³ /s, ANR)
Bowl capacity:	18.0 oz.	
Sump capacity:	6.8 oz.	
Weight:	3/4", 1"	3.5 lb (1.6 kg)
	1-1/2" #	4.6 lb (2.1 kg)

¹ scfm = Standard cubic feet per minute at 90 psig inlet and 5 psig pressure drop, with 40 micron element.

1" port body with 1-1/2" port block

Ordering Information:

P3N F A 9 8 G S M

Engineering Level	Current	A
Port Type	G Thread (BSPP) Female	1*
	NPT Female	9
* 3/4 & 1 inch meets ISO 1179-1 standard.		
Port Size	3/4" (w/o port blocks)	6
	1" (w/o port blocks)	8
	1-1/2" Port Blocks (w/ 1" ported body)	P
Drain	M	Twist Drain
	A	Auto Float Drain
Bowl	S	Metal Bowl with Sight Gauge
Element	G	40 micron

Note: BSPP ported units supplied using NPT ported bodies and BSPP port block kits.

Most popular.



For inventory, lead times, and kit lookup, visit www.pdnplu.com

P3N Products
G
Filters
Coalescers
Regulators
Filter / Regulators
Lubricators
Combinations

Hi-Flow Particulate Filters

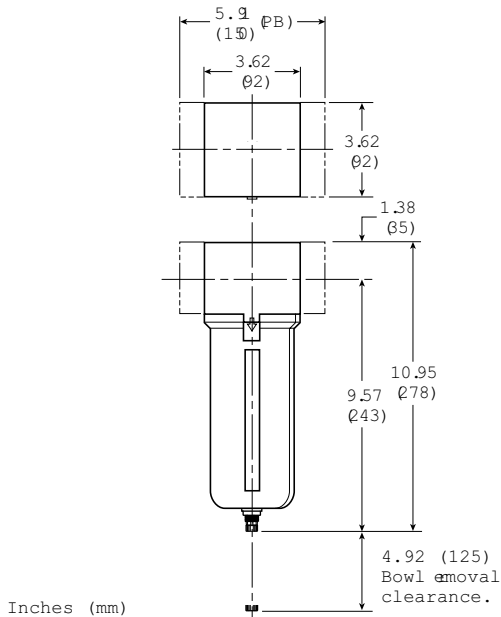
Material Specifications

Body, bowl	Aluminum
Deflector	Plastic
Drain	Plastic
Element	Plastic
Adsorber (optional)	Activated charcoal
Seals	Nitrile
Sight gauge (nylon)	Polyamide

Repair and Service Kits

Metal bowl / sight gauge / auto float drain	P3NKA00BSA
Metal bowl / sight gauge / twist drain	P3NKA00BSM
Bowl latch kit	C11A33
DPI replacement kit	PS781P
Automatic float drain	PS506P
Twist drain	PS512P
40 micron element	P3NKA00ESG
5 micron element	P3NKA00ESE
Adsorber element	P3NKA00ESA
Mounting bracket kit*	P3NKA00MW
Sight gauge kit	P3NKA00PE

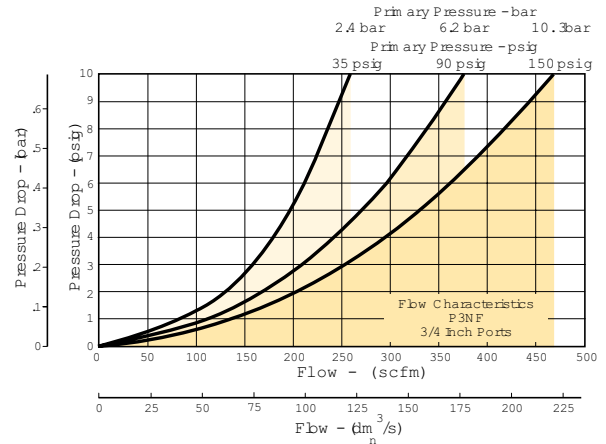
* If 1-1/2 BSPP E02 fittings are required, use P3NKA00BMW.



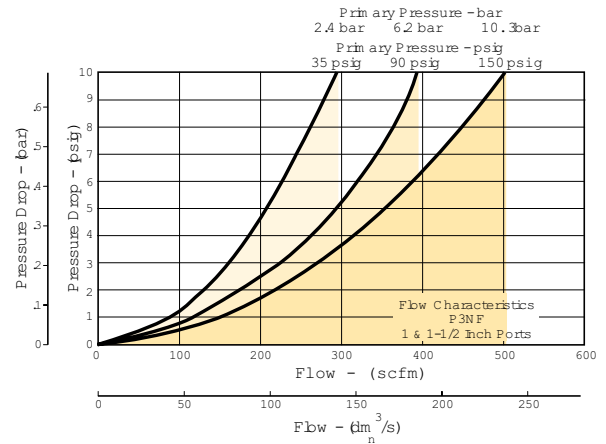
Air Preparation Products P3N Products

Flow Charts

P3NF 3/4" Particulate Filter

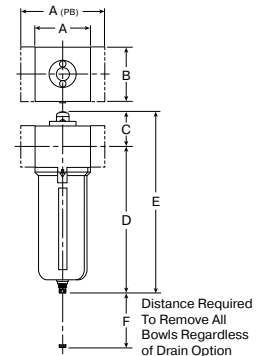
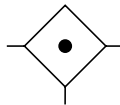


P3NF 1" & 1-1/2" Particulate Filter



P3NF Coalescing Filters - Hi-Flow

- Port blocks (PB) available to provide 1-1/2" port extension to 1" ported bodies
- Metal bowl with sight gauge
- Large filter element surface guarantees low pressure drop and increased element life
- Twist Drain as standard, optional automatic float drain
- 3/4", 1", 1-1/2" # ports (NPT, BSPP)



Port Size	Description	Part Number
3/4"	Metal Bowl, Sight Gauge, Twist Drain	P3NFA96DSM
3/4"	Metal Bowl, Sight Gauge, Auto Float Drain	P3NFA96DSA
1"	Metal Bowl, Sight Gauge, Twist Drain	P3NFA98DSM
1"	Metal Bowl, Sight Gauge, Auto Float Drain	P3NFA98DSA
1-1/2" #	Metal Bowl, Sight Gauge, Twist Drain	P3NFA9PDSM
1-1/2" #	Metal Bowl, Sight Gauge, Auto Float Drain	P3NFA9PDSA

Standard part numbers shown bold, with Grade 6 Elements. For other models refer to ordering information below.

1" port body with 1-1/2" port block.

Operating information

Supply pressure (max):	0 to 250 psig (0 to 17.2 bar)
Auto float drain	15 to 250 psig (1.0 to 17.2 bar)
Operating temperature:	32°F to 175°F (0°C to 80°C)
Flow capacity†:	
High flow	3/4" 130 scfm (61 dm³/s, ANR)
	1" 140 scfm (66 dm³/s, ANR)
	1-1/2" 140 scfm (66 dm³/s, ANR)
Bowl capacity:	18.0 oz.
Sump capacity:	6.8 oz.
Weight:	3/4", 1" 3.5 lb (1.6 kg)
	1-1/2" # 4.6 lb (2.1 kg)

† scfm = Standard cubic feet per minute at 90 psig inlet and 5 psig pressure drop

1" port body with 1-1/2" port block

Ordering Information:

P3N F A 9 8 D S M

Engineering Level	Current	A
Port Type	G Thread (BSPP) Female	1*
	NPT Female	9
* 3/4 & 1 inch meets ISO 1179-1 standard.		
Port Size	3/4" (w/o port blocks)	6
	1" (w/o port blocks)	8
	1-1/2" Port Blocks (w/ 1" ported body)	P
Element	D	Grade 6 with DPI Indicator
Bowl	S	Metal Bowl with Sight Gauge
Drain	M	Twist Drain
	A	Auto Float Drain

Note: BSPP ported units supplied using NPT ported bodies and BSPP port block kits.

Most popular.



For inventory, lead times, and kit lookup, visit www.pdnplu.com

P3N Products
G
Filters
Coalescers
Regulators
Filter / Regulators
Lubricators
Combinations

Hi-Flow Coalescing Filters

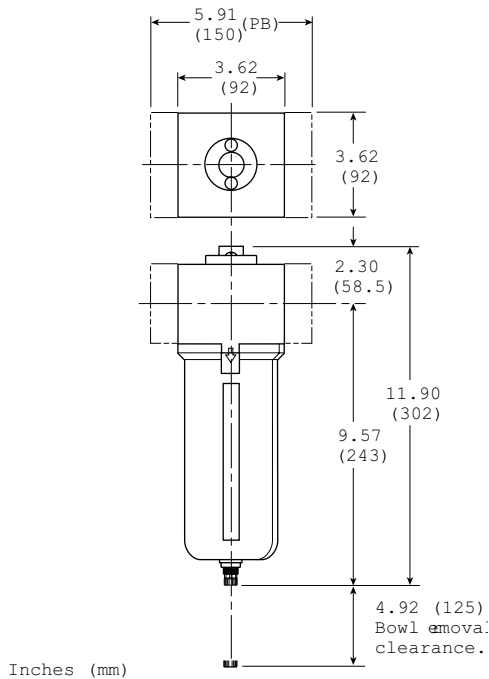
Material Specifications

Body, bowl	Aluminum
Deflector	Plastic
Drain	Plastic
Element	Borosilicate & felt glass fibers
Largest aerosol particle passed (Grade 6)	0.01 micron
Largest solid particle passed (Grade 6)	0.30 micron
Seals	Nitrile
Sight gauge (nylon)	Polyamide

Repair and Service Kits

Metal bowl / sight gauge / automatic float drain	P3NKA00BSA
Metal bowl / sight gauge / twist drain	P3NKA00BSM
Bowl latch kit	C11A33
DPI replacement kit	PS781P
Automatic float drain kit	PS506P
Twist drain kit	PS512P
Grade 6 element (standard)	P3NKA00ESCB
Sight gauge kit	P3NKA00PE
Mounting bracket kit*	P3NKA00MW

* If 1-1/2 BSPP E02 fittings are required, use P3NKA00BMW.

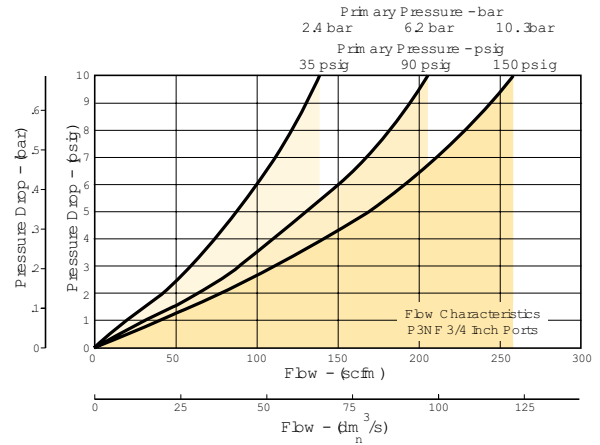


Air Preparation Products P3N Products

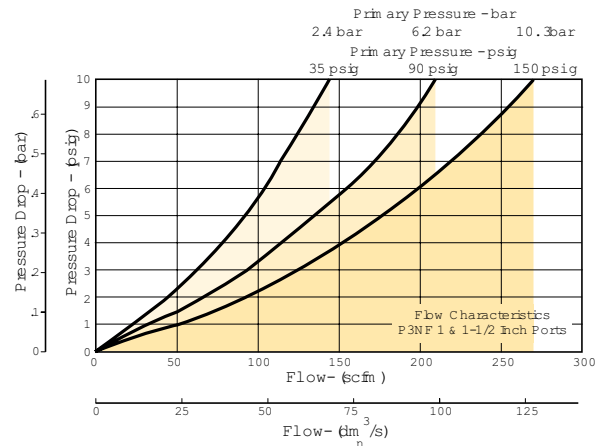
Flow Charts

Grade 6 Element

P3NF 3/4" Coalescing Filter



P3NF 1" & 1-1/2" Coalescing Filter



P3N Products

G

Filters

Coalescers

Regulators

Filter /
Regulators

Lubricators

Combinations



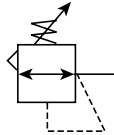
For inventory, lead times, and kit lookup, visit www.pdnplu.com

G5

Parker Hannifin Corporation
Pneumatic Division
Richland, Michigan
www.parker.com/pneumatics

P3NR Regulators - Hi-Flow

- Port blocks (PB) available to provide 1-1/2" port extension to 1" ported bodies
- Self relieving feature plus balanced poppet provides quick response and accurate pressure regulation
- Solid control piston for extended life
- 3/4", 1", 1-1/2" ports (NPT, BSPP)



Operating information

Supply pressure (max):	250 psig (17.2 bar)	
Operating temperature:	32°F to 175°F (0°C to 80°C)	
Flow capacity [†] :		
High flow	3/4"	200 scfm (94.4 dm ³ /s, ANR)
	1"	300 scfm (141.6 dm ³ /s, ANR)
	1-1/2"	300 scfm (141.6 dm ³ /s, ANR)
Gauge ports (2):	1/4 inch	
Weight:	3/4", 1"	4.2 lb (1.9 kg)
	1-1/2" #	5.3 lb (2.4 kg)

[†] scfm = Standard cubic feet per minute at 100 psig inlet, 90 psig no flow secondary setting and 10 psig pressure drop.

1" port body with 1-1/2 port block

Port Size	Description	Part Number
3/4"	Without Gauge	P3NRA96BNN
3/4"	With 160 psi Gauge	P3NRA96BNG
1"	Without Gauge	P3NRA98BNN
1"	With 160 psi Gauge	P3NRA98BNG
1-1/2" #	Without Gauge	P3NRA9PBNN
1-1/2" #	With 160 psi Gauge	P3NRA9PBNG

1" port body with 1-1/2" port block.

NOTE: 2.0 Dia. (51 mm) hole required for panel mounting.

Ordering Information:

P3N	R	A	9	8	B	N	N
Engineering Level Current A			Port Type G Thread (BSPP) Female 1* NPT Female 9		Pressure Gauge Without Gauge N 125 psi (0 to 8 bar) H 250 psi (0 to 17 bar) With Gauge G 125 psi (0 to 8 bar) J 250 psi (0 to 17 bar)		
Port Size 3/4" (w/o port blocks) 6 1" (w/o port blocks) 8 1-1/2" Port Blocks (w/ 1" ported body) P			Adjustment N Non-Rising Knob		Relief B Relieving		
<p>* 3/4 & 1 inch meets ISO 1179-1 standard.</p> <p>Note: BSPP ported units supplied using NPT ported bodies and BSPP port block kits.</p>							

☐ Most popular.



For inventory, lead times, and kit lookup, visit www.pdnplu.com

P3N Products
 G
 Filters
 Coalescers
 Regulators
 Filter / Regulators
 Lubricators
 Combinations

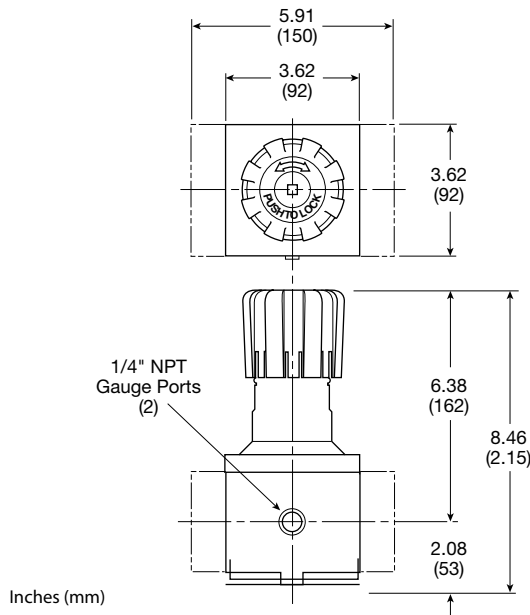
Material Specifications

Adjusting stem	Steel
Body	Aluminum
Bonnet	Aluminum
Knob	Plastic
Piston	Plastic
Poppet assembly	Brass
Seals	Nitrile
Springs, poppet & control	Steel

Repair and Service Kits

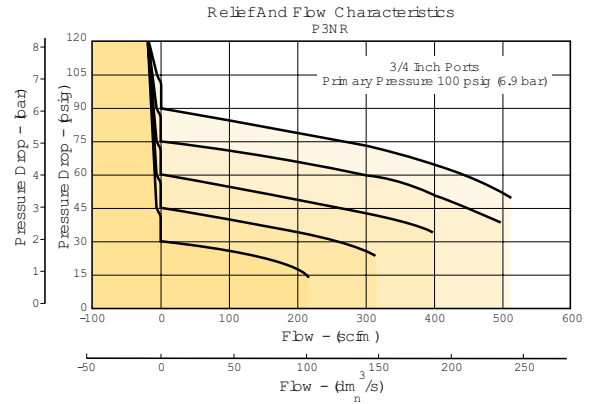
Control knob	P3NKA00PN
2" dial face 60 psig (0 to 4.1 bar), gauge	K4520N14060
2" dial face 160 psig (0 to 11.0 bar), gauge	K4520N14160
2" dial face 300 psig (0 to 20.7 bar), gauge	K4520N14300
1-3/4" digital round face 160 psig (0 to 11.0 bar), gauge	K4517N14160D
Mounting bracket kit*	P3NKA00MW
Relieving	P3NKA00RR
Non-relieving	P3NKA00RN
1-60 psig spring	C10A1304
2-125 psig spring	C10A1308
5-250 psig spring	C10A1317

* If 1-1/2 BSPP E02 fittings are required, use P3NKA0BMW.

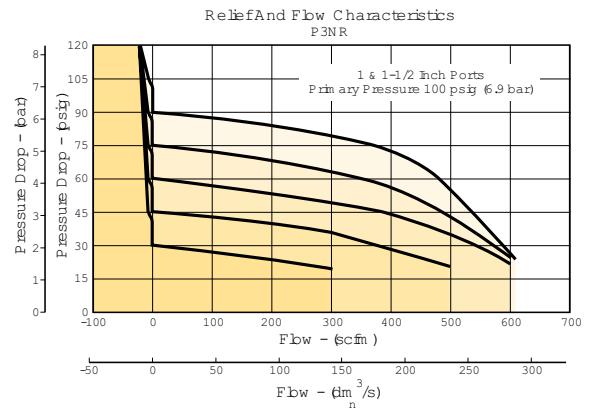


Flow Charts

P3NR 3/4" Regulator



P3NR 1" & 1-1/2" Regulator



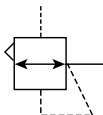
WARNING
 Product rupture can cause serious injury.
 Do not connect regulator to bottled gas.
 Do not exceed Maximum primary pressure rating.

CAUTION:

REGULATOR PRESSURE ADJUSTMENT – The working range of knob adjustment is designed to permit outlet pressures within their full range. Pressure adjustment beyond this range is also possible because the knob is not a limiting device. This is a common characteristic of most industrial regulators, and limiting devices may be obtained only by special design. For best performance, regulated pressure should always be set by increasing the pressure up to the desired setting.

P3NR Pilot Controlled Regulator - Hi-Flow

- Port blocks (PB) available to provide 1-1/2" port extension to 1" ported bodies
- Self relieving feature plus balanced poppet provides quick response and accurate pressure regulation
- Solid control piston for extended life
- 3/4", 1" 1-1/2" ports (NPT, BSPP)



Port Size	Description	Part Number
3/4"	Without Gauge	P3NRA96BPP
1"	Without Gauge	P3NRA98BPP
1-1/2"*	Without Gauge	P3NRA9PBPP

* 1" port body with 1-1/2" port block.

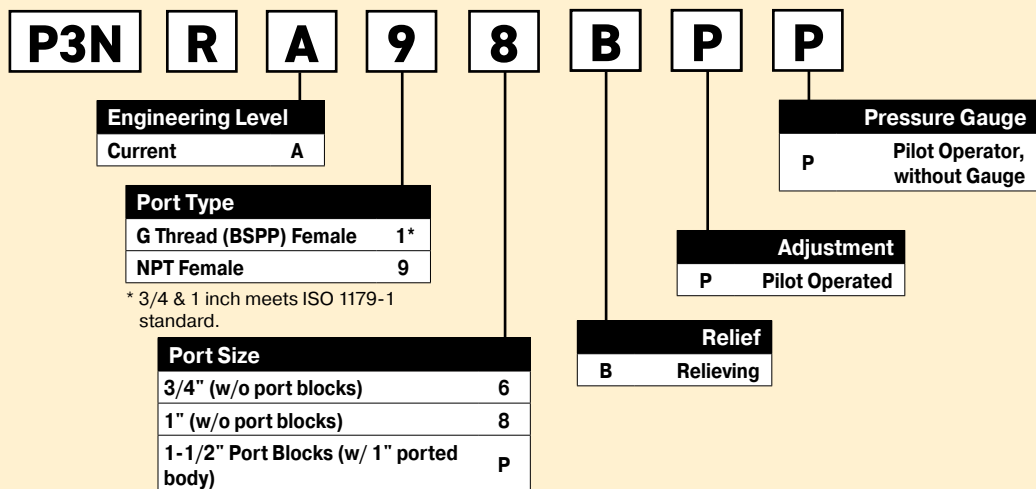
Operating information

Supply pressure (max):	250 psig (17.2 bar)	
Operating temperature:	32°F to 175°F (0°C to 80°C)	
Flow capacity†:		
High flow	3/4"	300 scfm (141.6 dm³/s, ANR)
	1"	300 scfm (141.6 dm³/s, ANR)
	1-1/2"	350 scfm (165.2 dm³/s, ANR)
Gauge ports (2):	1/4 inch	
Weight:	3/4", 1"	3.3 lb (1.5 kg)
	1-1/2" #	4.4 lb (2.0 kg)

† scfm = Standard cubic feet per minute at 100 psig inlet, 90 psig no flow secondary setting and 10 psig pressure drop.

1" port body with 1-1/2" port block

Ordering Information:



Note: BSPP ported units supplied using NPT ported bodies and BSPP port block kits.

☐ Most popular.



For inventory, lead times, and kit lookup, visit www.pdnplu.com

G8

Parker Hannifin Corporation
Pneumatic Division
Richland, Michigan
www.parker.com/pneumatics

P3N Products
G
Filters
Coalescers
Regulators
Filter / Regulators
Lubricators
Combinations

Hi-Flow Pilot Controlled Regulators

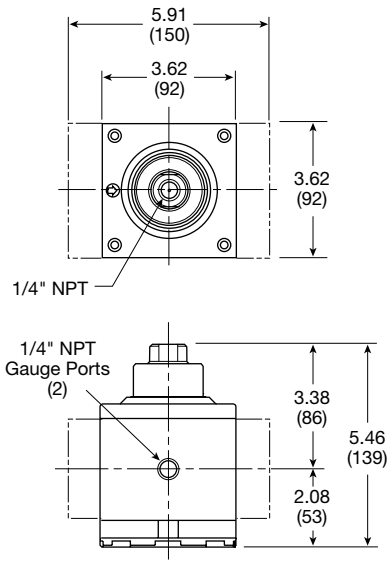
Material Specifications

Adjusting stem	Steel
Body	Aluminum
Bonnet	Aluminum
Piston	Plastic
Poppet assembly	Brass
Seals	Nitrile
Springs – poppet	Steel

Repair and Service Kits

2" dial face 60 psig (0 to 4.1 bar), gauge	K4520N14060
2" dial face 160 psig (0 to 11.0 bar), gauge	K4520N14160
2" dial face 300 psig (0 to 20.7 bar), gauge	K4520N14300
1-3/4" digital round face 160 psig (0 to 11.0 bar), gauge	K4517N14160D
Mounting bracket kit*	P3NKA00MW
Relieving	P3NKA00PD

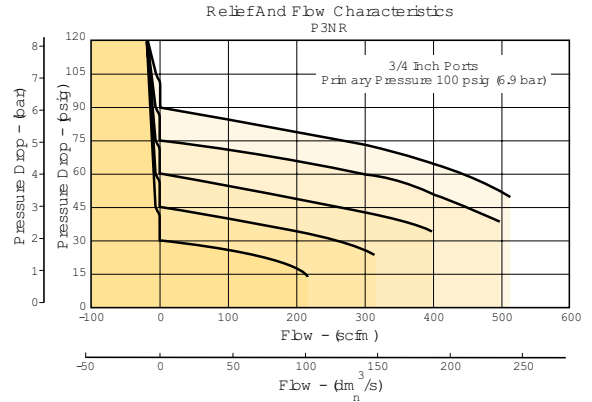
* If 1-1/2 BSPP E02 fittings are required, use P3NKA0BMW.



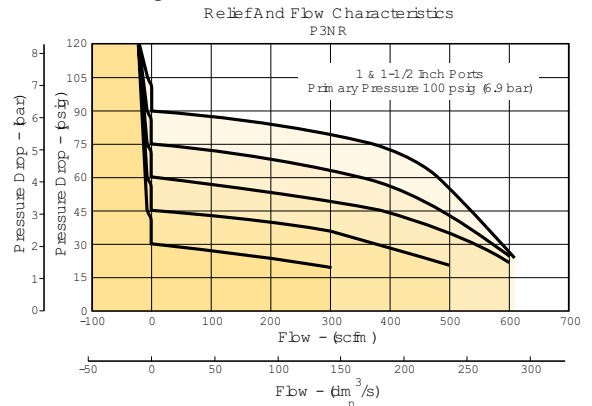
Air Preparation Products P3N Products

Flow Charts

P3NR 3/4" Regulator



P3NR 1" & 1-1/2" Regulator



⚠ WARNING

**Product rupture can cause serious injury.
Do not connect regulator to bottled gas.
Do not exceed Maximum primary pressure rating.**

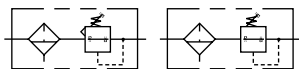
Inches (mm)



For inventory, lead times, and kit lookup, visit www.pdnplu.com

P3NE Filter / Regulator - Hi-Flow

- Port blocks (PB) available to provide 1-1/2" port extension to 1" ported bodies
- Excellent water removal efficiency
- Metal bowl with sight gauge
- Large filter element surface guarantees low pressure drop and increased element life
- Twist drain as standard, optional auto drain
- Self relieving feature plus balanced poppet provides quick response and accurate pressure regulation
- Solid control piston for extended life
- 3/4", 1", 1-1/2" # ports (NPT, BSPP)



Port Size	Description	Part Number
3/4"	Metal Bowl, Sight Gauge, Twist Drain	P3NEA96GSMBNN
3/4"	Metal Bowl, Sight Gauge, Auto Float Drain	P3NEA96GSABNN
1"	Metal Bowl, Sight Gauge, Twist Drain	P3NEA98GSMBNN
1"	Metal Bowl, Sight Gauge, Auto Float Drain	P3NEA98GSABNN
1-1/2"*	Metal Bowl, Sight Gauge, Twist Drain	P3NEA9PGSMBNN
1-1/2"*	Metal Bowl, Sight Gauge, Auto Float Drain	P3NEA9PGSABNN

1" port body with 1-1/2" port block.

Operating information

Supply pressure (max):	0 to 250 psig (0 to 17.2 bar)	
Operating temperature:	32°F to 175°F (0°C to 80°C)	
Flow capacity [†] :		
High flow	3/4"	250 scfm (118 dm ³ /s, ANR)
	1"	250 scfm (118 dm ³ /s, ANR)
	1-1/2"	250 scfm (118 dm ³ /s, ANR)
Bowl capacity:	18.0 oz.	
Sump capacity:	6.8 oz.	
Weight:	3/4"	5.3 lb (2.4 kg)
	1"	5.3 lb (2.4 kg)
	1-1/2"	6.43 lb (2.9 kg)

[†] scfm = Standard cubic feet per minute at 90 psig inlet and 5 psig pressure drop with 40 micron element

* 1" port body with 1-1/2 port block

Ordering Information:

P3N E A 9 8 G S M B N N

Engineering Level Current A								Adjustment N Non-Rising Knob
Port Type G Thread (BSPP) Female 1* NPT Female 9								Relief B Relieving
* 3/4 & 1 inch meets ISO 1179-1 standard.								Drains M Twist Drain A Auto Float Drain
Port Size 3/4" (w/o port blocks) 6 1" (w/o port blocks) 8 1-1/2" Port Blocks (w/ 1" ported body) P								Bowl S Metal Bowl with Sight Gauge
			Element 40 micron G					Port Type Without Gauge N 125 psi (0 to 8 bar) H 250 psi (0 to 17 bar) With Gauge G 125 psi (0 to 8 bar) J 250 psi (0 to 17 bar)

Note: BSPP ported units supplied using NPT ported bodies and BSPP port block kits.

Most popular.



For inventory, lead times, and kit lookup, visit www.pdnplu.com

G10

Parker Hannifin Corporation
Pneumatic Division
Richland, Michigan
www.parker.com/pneumatics

P3N Products

G

Filters

Coalescers

Regulators

Filter / Regulators

Lubricators

Combinations

Hi-Flow Filter / Regulators

Material Specifications

Adjusting stem	Steel
Body, bonnet, bowl	Aluminum
Drain	Plastic
40 micron element (standard)	Plastic
5 micron element (optional)	Plastic
Adsorber element (optional)	Activated charcoal
Knob	Plastic
Piston	Plastic
Seals	Nitrile
Sight gauge	Polyamide (nylon)
Poppet & control, spring	Steel

Repair and Service Kits

Metal bowl, sight gauge / auto float drain	P3NKA00BSA
Metal bowl, sight gauge / twist drain	P3NKA00BSM
Bowl latch kit	C11A33
Control knob	P3NKA00PN
Auto float drain	PS506P
Twist drain	PS512P
40 micron element	P3NKA00ESG
5 micron element	P3NKA00ESE
Adsorber element	P3NKA00ESA
2" dial face 60 psig (0 to 4.1 bar), gauge	K4520N14060
2" dial face 160 psig (0 to 11.0 bar), gauge	K4520N14160
2" dial face 300 psig (0 to 20.7 bar), gauge	K4520N14300
1-3/4" digital round face 160 psig (0 to 11.0 bar), gauge	K4517N14160D
Mounting bracket kit*	P3NKA00MW
Relieving	P3NKA00RR
Non-relieving	P3NKA00RN
Sight gauge kit	P3NKA00PE
1-60 psig spring	C10A1304
2-125 psig spring	C10A1308
5-250 psig spring	C10A1317

* If 1-1/2 BSSPP E02 fittings are required, use P3NKA00BMW.



WARNING

**Product rupture can cause serious injury.
Do not connect regulator to bottled gas.
Do not exceed Maximum primary pressure rating.**

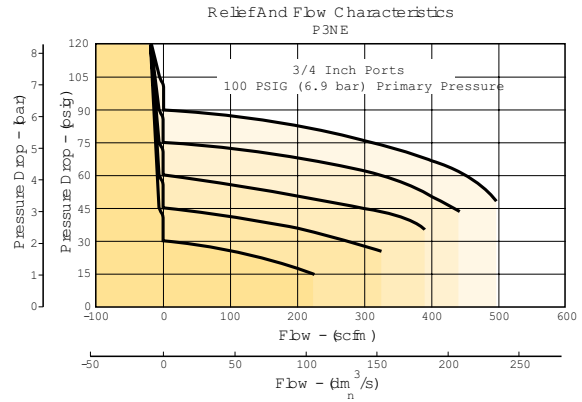
CAUTION:

REGULATOR PRESSURE ADJUSTMENT – The working range of knob adjustment is designed to permit outlet pressures within their full range. Pressure adjustment beyond this range is also possible because the knob is not a limiting device. This is a common characteristic of most industrial regulators, and limiting devices may be obtained only by special design. For best performance, regulated pressure should always be set by increasing the pressure up to the desired setting.

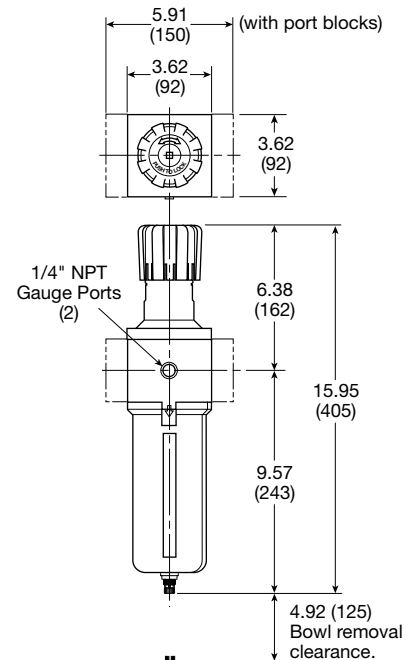
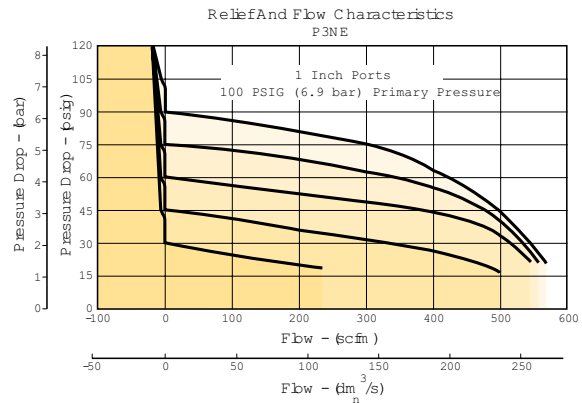
Air Preparation Products P3N Products

Flow Charts

P3NE 3/4" Filter / Regulator



P3NE 1" & 1-1/2" Filter / Regulator



Inches (mm)



For inventory, lead times, and kit lookup, visit www.pdnplu.com

P3NL Mist Lubricators - Hi-Flow

- Port blocks (PB) available to provide 1-1/2" port extension to 1" ported bodies
- Proportional oil delivery over a wide range of air flows
- Bowl can be filled while air line is under pressure
- Transparent sight dome for 360° visibility
- Integral 3/4", 1" ports (NPT, BSPP)



Port Size	Description	Part Number
3/4"	Metal Bowl, Sight Gauge, No Drain	P3NLA96LSN
1"	Metal Bowl, Sight Gauge, No Drain	P3NLA98LSN
1-1/2" #	Metal Bowl, Sight Gauge, No Drain	P3NLA9PLSN
#	1" Port Body with 1-1/2" Port Block.	

Operating information

Supply pressure (max):	250 psig (17.2 bar)	
Operating temperature:	32°F to 175°F (0°C to 80°C)	
Flow capacity†:		
High flow	3/4"	240 scfm (113.3 dm³/s, ANR)
	1"	250 scfm (118 dm³/s, ANR)
	1-1/2"	260 scfm (122.7 dm³/s, ANR)
Minimum flow		6.6 scfm (3.1 dm³/s, ANR) at 100 psig (6.9 bar)
Bowl capacity:	18.0 oz.	
Weight:	3/4", 1"	3.5 lb (1.6 kg)
	1-1/2" #	4.6 lb (2.1 kg)

† scfm = Standard cubic feet per minute at 90 psig inlet and 5 psig pressure drop.

1" port body with 1-1/2 port block

Ordering Information:

P3NL A 9 8 L S N

Engineering Level	Drain / Fill Device
Current A	N No Drain, Solid Bowl / Fill Plug
Port Type	Bowl
G Thread (BSPP) Female 1*	S Metal Bowl w/ Sight Gauge
NPT Female 9	
* 3/4 & 1 inch meet ISO 1179-1 Standard.	
Port Size	Type
3/4" (w/o port blocks) 6	L Oil Mist w/ Polycarbonate Sight Dome
1" (w/o port blocks) 8	
1-1/2" Port Blocks (w/ 1" ported body) P	

Note: All configured BSPP ported units are supplied using NPT ported bodies and BSPP port block kits.

Suggested Lubricant **F442 Oil**

Petroleum based oil of 100 to 200 SUS viscosity at 100°F (38°C) and an aniline point greater than 200°F (93°C)

(DO NOT USE OILS WITH ADDITIVES, COMPOUNDED OILS CONTAINING SOLVENTS, GRAPHITE, DETERGENTS, OR SYNTHETIC OILS.)

Most popular.



For inventory, lead times, and kit lookup, visit www.pdnplu.com

P3N Products

G

Filters

Coalescers

Regulators

Filter / Regulators

Lubricators

Combinations

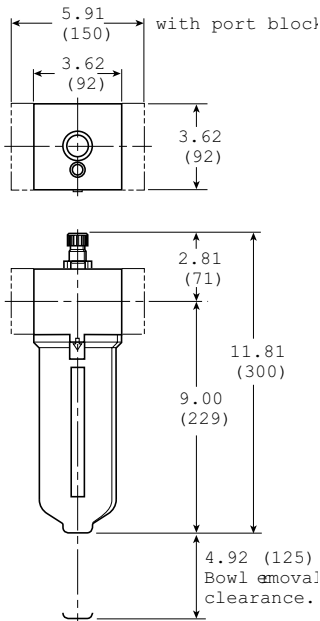
Material Specifications

Body, bowl	Aluminum
Injector meter block & base assembly	Plastic
Seals	Nitrile
Sight dome	Polycarbonate
Sight gauge	Polyamide (nylon)

Repair and Service Kits

Adjustment knob	P04121
Metal bowl / sight gauge / twist drain	P3NKA00BSM
Metal bowl / sight gauge / no drain	P3NKA00BSN
Bowl latch kit	C11A33
Twist drain kit	PS512P
Fill cap kit	P3NKA00PL
Sight dome kit, polycarbonate	PS740P
Sight dome kit, nylon	PS740N
Sight gauge kit	P3NKA00PE
Pressure fill adapter kit	P3NKA00PK
Service kit	P3NKA00RL
Mounting bracket kit*	P3NKA00MW
Oil (1 quart)	F442001
Oil (1 gallon)	F442002
Oil (12 quart case)	F442003
Oil (4 gallon case)	F442005

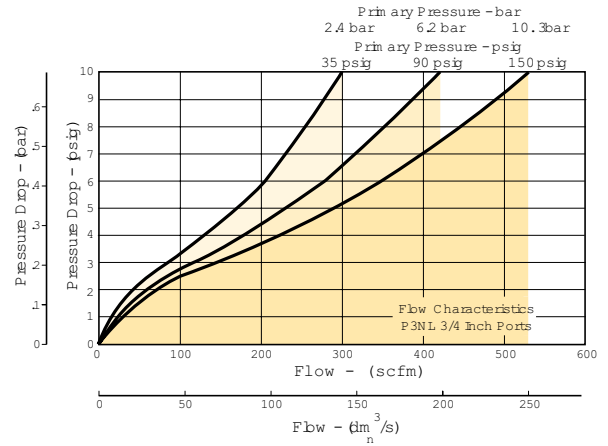
* If 1-1/2 BSPP E02 fittings are required, use P3NKA00BMW.



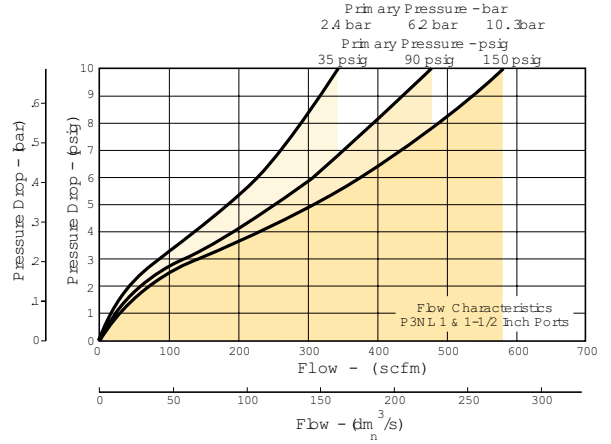
Inches (mm)

Flow Charts

P3NL 3/4" Lubricator



P3NL 1" & 1-1/2" Lubricator



P3N Products

G

Filters

Coalescers

Regulators

Filter /
Regulators

Lubricators

Combinations

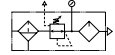


For inventory, lead times, and kit lookup, visit www.pdnplu.com

Popular Combinations: Inlet pressure 90 psig (6.2 bar), and 0.3 psig (5 bar) pressure drop.



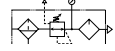
**Filter/Regulator + Lubricator Combinations, metal bowl, manual twist drain
 40 micron element, 125 psig (8.6 bar) regulator without gauge**



Port Size	Bowl Type	Relief Type	Manual Twist Drain
3/4"	Metal, Twist Drain	Relieving	P3NCA96SGMNNLNA
1"	Metal, Twist Drain	Relieving	P3NCA98SGMNNLNA
1-1/2"*	Metal, Twist Drain	Relieving	P3NCA9PSGMNNLNA



**Filter + Regulator + Lubricator Combinations, metal bowl, manual twist drain
 40 micron element, 125 psig (8.6 bar) regulator without gauge**



Port Size	Bowl Type	Relief Type	Manual Twist Drain
3/4"	Metal, Twist Drain	Relieving	P3NCB96SGMNNLNA
1"	Metal, Twist Drain	Relieving	P3NCB98SGMNNLNA
1-1/2"*	Metal, Twist Drain	Relieving	P3NCB9PSGMNNLNA

Notes: All combo part numbers are with regulator knob in up position.

BSPP ported units supplied using NPT ported bodies and BSPP port block kits.

* 1" Port body with 1-1/2" port block

Ordering Information:

P3N C A 9 6 S G M N N L N A

Type Combination, Modular C	Combination 2-Unit, Hi-Flow, Metal Bowl A 3-Unit, Hi-Flow, Metal Bowl B	Port Type G Thread (BSPP) Female 1 NPT Female 9	Port Size 3/4" (w/o port blocks) 6 1" (w/o port blocks) 8 1-1/2" Port Blocks (w/ 1" ported body) P	Bowl Metal Bowl w/ Sight Gauge S	Element 40 micron G	Relief N Relieving	Drains M Twist Drain A Auto Float Drain	Pressure Gauge N 125 psi (0 to 8 bar), without Gauge H 250 psi (0 to 17 bar), without Gauge G 125 psi (0 to 8 bar), with Gauge J 250 psi (0 to 17 bar), with Gauge	Lubricator Drain / Fill Device N No Drain, Solid Bowl / Fill Plug	Lubricator Type L Oil Mist w/ Polycarbonate Sight Dome	Mounting Option A No Bracket or Kits B Wall Bracket
--	--	--	--	--	-------------------------------	------------------------------	--	---	---	--	--

Note: All configured BSPP ported units are supplied using NPT ported bodies and BSPP port block kits.

Most popular.



For inventory, lead times, and kit lookup, visit www.pdnplu.com

P3N Products
G
 Filters
 Coalescers
 Regulators
 Filter / Regulators
 Lubricators
 Combinations

Repair and Service Kits

Mounting bracket kit	P3NKA00MW
Replacement body cover	P3NKA00PM
Individual NPT 3/4" Port block kits	P3NKB96CP
Individual NPT 1" Port block kits	P3NKB98CP
Individual NPT 1-1/2" Port block kits	P3NKB9BCP
Individual BSPP 3/4" Port block kits	P3NKB16CP
Individual BSPP 1" Port block kits	P3NKB18CP
Individual BSPP 1-1/2" Port block kits	P3NKB1BCP
Combination NPT 3/4" Port block kits	P3NKB96CL
Combination NPT 1" Port block kits	P3NKB98CL
Combination NPT 1-1/2" Port block kits	P3NKB9BCL
Combination BSPP 3/4" Port block kits	P3NKB16CL
Combination BSPP 1" Port block kits	P3NKB18CL
Combination BSPP 1-1/2" Port block kits	P3NKB1BCL

Note: 2-piece filter and regulator (F+R) assemblies require a (P3NKXXCCP) port block kit.

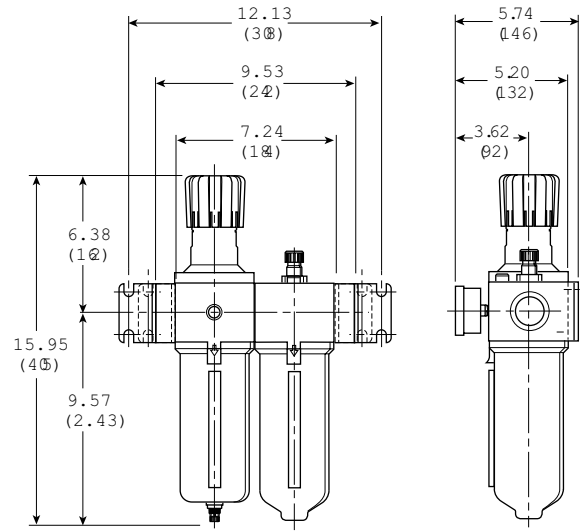
WARNING

**Product rupture can cause serious injury.
 Do not connect regulator to bottled gas.
 Do not exceed Maximum primary pressure rating.**

CAUTION:

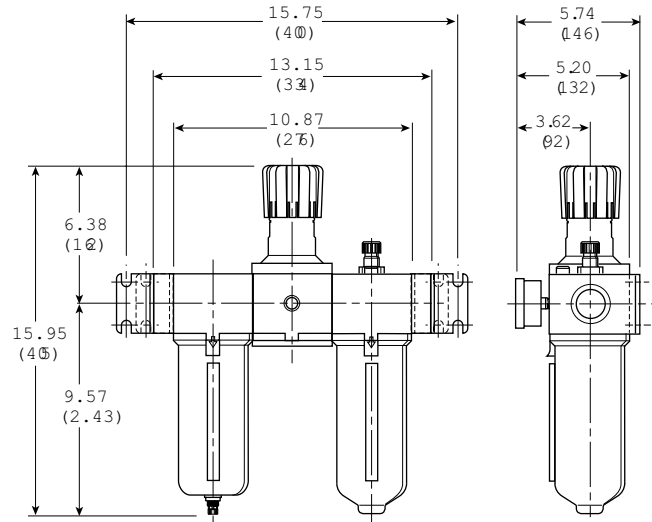
REGULATOR PRESSURE ADJUSTMENT – The working range of knob adjustment is designed to permit outlet pressures within their full range. Pressure adjustment beyond this range is also possible because the knob is not a limiting device. This is a common characteristic of most industrial regulators, and limiting devices may be obtained only by special design. For best performance, regulated pressure should always be set by increasing the pressure up to the desired setting.

P3NCA (Modular 2-unit)



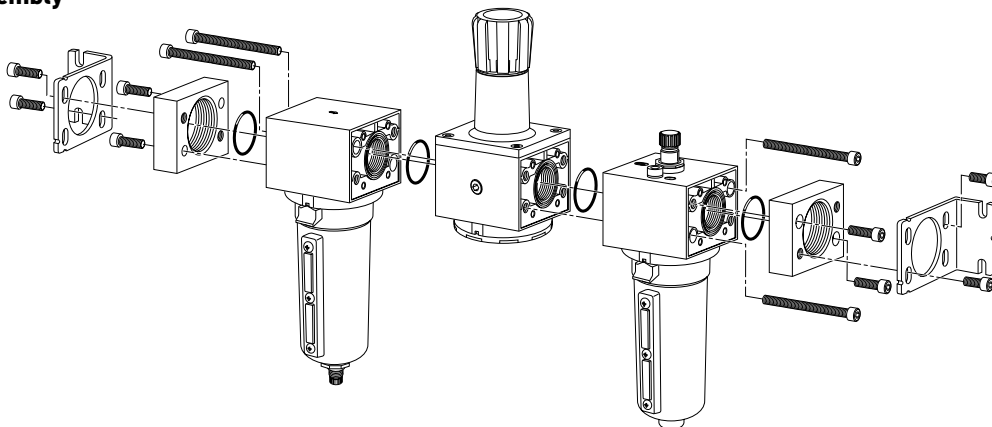
Inches (mm)

P3NCB (Modular 3-unit)



Inches (mm)

Modular Assembly



P3N Products
G
Filters
Coalescers
Regulators
Filter / Regulators
Lubricators
Combinations



For inventory, lead times, and kit lookup, visit www.pdnplu.com

P3N Products



For inventory, lead times, and kit lookup, visit www.pdnplu.com

G16

Parker Hannifin Corporation
Pneumatic Division
Richland, Michigan
www.parker.com/pneumatics

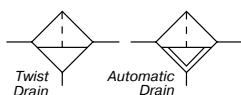


Air Preparation Products General Industrial

F602 Particulate Filters	H2-H5
35F / 43F Particulate Filters	H6-H7
35F Coalescing Filters	H8-H9
PM30 Coalescing Filters	H10-H11
F602 Particulate Filter Repair & Service Kits	H12-H13
R119 Regulators	H14-H23
PL30 Lubricators	H24-H25
PL40 Lubricators	H26-H27

F602 Particulate Filters - Hi-Flow

- Excellent water removal efficiency
- For heavy duty applications with minimum pressure drop requirement
- Unique deflector plate that creates swirling of the air stream ensuring maximum water and dirt separation
- Large filter element surface guarantees low pressure drop and increased element life
- 40 micron filter element standard, 5 micron available
- Metal bowl with sight gauge standard
- Twist drain as standard, optional auto drain
- 3/4" & 1" port, NPT & BSPP



Port size	Description	Part number
3/4"	16 oz. metal bowl / manual drain	F602-06WJ
3/4"	16 oz. metal bowl / auto drain	F602-06WJR
3/4"	32 oz. metal bowl / manual drain	F602-06EJ
3/4"	32 oz. metal bowl / auto drain	F602-06EJR
1"	16 oz. metal bowl / manual drain	F602-08WJ
1"	16 oz. metal bowl / auto drain	F602-08WJR
1"	32 oz. metal bowl / manual drain	F602-08EJ
1"	32 oz. metal bowl / auto drain	F602-08EJR

Operating information

Supply pressure (max):		
Aluminum (E)		0 to 300 psig (0 to 20.7 bar)
Zinc with gauge (W)		0 to 250 psig (0 to 17.2 bar)
With internal auto drain [R]		20 to 175 psig (1.14 to 11.9 bar)
With external auto drain [Q]		0 to 250 psig (0 to 17.2 bar)
Operating temperature:		
Aluminum (E)		40°F to 150°F (4.4°C to 65.6°C)
Zinc with gauge (W)		40°F to 150°F (4.4°C to 65.6°C)
With internal auto drain [R]		40°F to 125°F (4.4°C to 52°C)
With external auto drain [Q]		40°F to 150°F (4.4°C to 65.6°C)
Flow capacity†:		
High flow	3/4"	270 scfm (127.4 dm³/s, ANR)
	1"	300 scfm (141.5 dm³/s, ANR)
Bowl capacity:		
Zinc with gauge (W)		16 oz.
Aluminum (E)		32 oz.
Weight:		
	16 oz.	6.3 lb (2.86)
	32 oz.	7.0 lb (3.18 kg)

† scfm = Standard cubic feet per minute at 90 psig inlet and 5 psig pressure drop.
() Bowl type, [] drain type.

Ordering information:

F602 - 06 W J [] /**

Port Threads	
NPT	-
G BSPP	G

Port Size	
3/4 inch	06
1 inch	08

Bowl	
32 oz. Large capacity metal without sight gauge	E
16 oz. Metal with sight gauge	W

Element	
G	5 Micron
J	40 Micron

Engineering Level	
/**	Will be entered at factory

Drains and Options	
Blank	Manual twist drain
Q	External heavy duty auto drain
R	Internal auto drain
U	Semi-auto drain

Most popular.



For inventory, lead times, and kit lookup, visit www.pdnplu.com

General Industrial Products
H
Filters
Coalescers
Regulators
Lubricators
Combinations

Hi-Flow Particulate Filters

Material Specifications

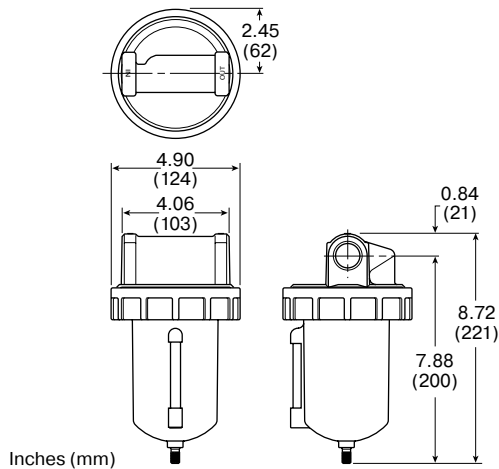
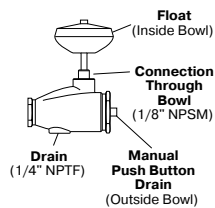
Body	Zinc
Bowl (E) 32 oz. without sight gauge	Aluminum
Bowl (W) 16 oz. with sight gauge	Zinc
Manual twist drain & overnight	Brass
Drain housing "R"	Acetal
Drain housing "Q"	Bronze
Element	Polypropylene
Seals	Nitrile
Sight gauge	Nylon

Repair and Service Kits

Aluminum bowl (E) 32 oz.	BK603B
Zinc bowl with sight gauge (W) 16 oz.	BK605WB
External auto drain (E) 32 oz.	SA603D
External auto drain (W) 16 oz.	SA602D
Internal auto drain (All)	SA602MD
Manual drain (All)	SA600Y7-1
Semi-auto "overnight" drain <i>(drains automatically under zero pressure)</i>	SA602A7
40 micron element (All)	EK602B
5 micron element (All)	EK602VB
Mounting bracket, 3/4" Unit <i>(pair or 2 kits pipe mounted brackets needed)</i>	SA200AW57
Mounting bracket, 1" Unit <i>(pair or 2 kits pipe mounted brackets needed)</i>	SA200CW57
Deflector, baffle assembly, & retaining rod (E,W)	RK602B
External auto drain (All)	RK602D
Internal auto drain (All)	RK602MD
Sight glass repair kit (W)	RKB605WB

"Q" Option External Heavy Duty Auto Drain SA602D / SA603D

For heavy duty applications where the filter is being used to remove large volumes of liquid and/or particulate matter from the airstream, the external automatic drain ("Q" option) should be used.

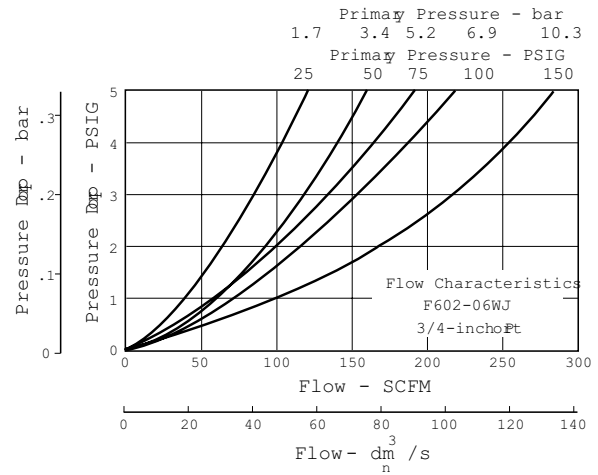


F602-06W, F602-08W (Hi-Flow)

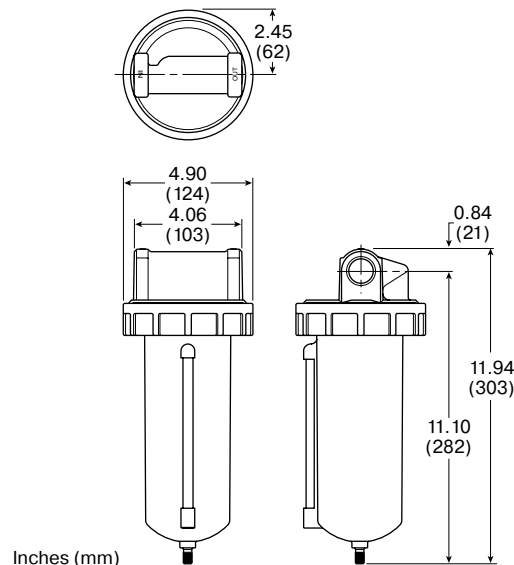
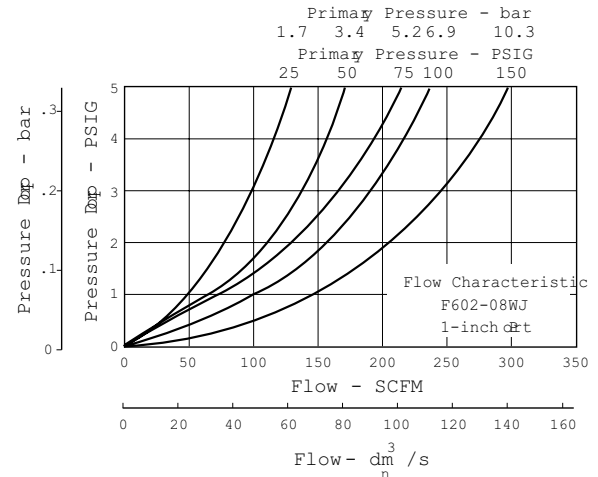
Air Preparation Products General Industrial

Flow Charts

F602 3/4" Particulate Filter



F602 1" Particulate Filter



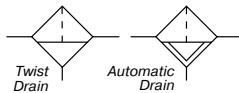
F602-06E, F602-08E (Hi-Flow)



For inventory, lead times, and kit lookup, visit www.pdnplu.com

F602 Particulate Filters - Hi-Flow

- Excellent water removal efficiency
- For heavy duty applications with minimum pressure drop requirement
- Unique deflector plate that creates swirling of the air stream ensuring maximum water and dirt separation
- Large filter element surface guarantees low pressure drop and increased element life
- 40 micron filter element standard, 5 micron available
- Metal bowl with sight gauge standard
- Twist drain as standard, optional auto drain
- Large bowl capacity
- Optional high capacity bowl(s) available
- 1-1/2" port, NPT & BSPP



Port size	Description	Part number
1-1/2"	16 oz. metal bowl / manual drain	F602-12WJ
1-1/2"	16 oz. metal bowl / auto drain	F602-12WJR
1-1/2"	32 oz. metal bowl / manual drain	F602-12EJ
1-1/2"	32 oz. metal bowl / auto drain	F602-12EJR

Operating information

Supply pressure (max):
 Aluminum (E) 0 to 300 psig (0 to 20.7 bar)
 Zinc with gauge (W) 0 to 250 psig (0 to 17.2 bar)
 With internal auto drain [R] 20 to 175 psig (1.14 to 11.9 bar)
 With external auto drain [Q] 0 to 250 psig (0 to 17.2 bar)

Operating temperature:
 Aluminum (E) 40°F to 150°F (4.4°C to 65.6°C)
 Zinc with gauge (W) 40°F to 150°F (4.4°C to 65.6°C)
 With internal auto drain [R] 40°F to 125°F (4.4°C to 52°C)
 With external auto drain [Q] 40°F to 150°F (4.4°C to 65.6°C)

Flow capacity:
 High flow 1-1/2" 450 scfm (212.4 dm³/s, ANR)

Bowl capacity:
 Zinc with gauge (W) 16 oz.
 Aluminum (E) 32 oz.

Weight:
 16 oz. 7.0 lb (3.18 kg)
 32 oz. 7.7 lb (3.49 kg)

† scfm = Standard cubic feet per minute at 90 psig inlet and 5 psig pressure drop.
 () Bowl type, [] drain type.

Ordering information:

F602 - 12 W J [] /**

Port Threads	-	Engineering Level	/** Will be entered at factory
NPT	-		
G BSPP	G		
Port Size	12		
1-1/2 inch			
Bowl	E		
32 oz. Large capacity metal without sight gauge			
16 oz. Metal with sight gauge	W		
Drains and Options			
Blank	Manual twist drain		
Q	External heavy duty auto drain		
R	Internal auto drain		
U	Semi-auto drain		
Element			
G	5 Micron		
J	40 Micron		

Most popular.



For inventory, lead times, and kit lookup, visit www.pdnplu.com

Hi-Flow Particulate Filters

Material Specifications

Body	Zinc
Bowl (E) 32 oz. without sight gauge	Aluminum
Bowl (W) 16 oz. with sight gauge	Zinc
Manual twist drain & overnight	Brass
Drain housing "R"	Acetal
Drain housing "Q"	Bronze
Element	Polypropylene
Seals	Nitrile
Sight gauge	Nylon

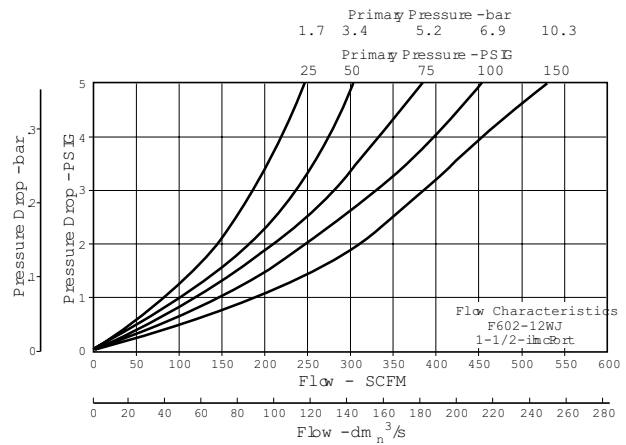
Repair and Service Kits

Aluminum bowl (E) 32 oz.	BK603B
Zinc bowl with sight gauge (W) 16 oz.	BK605WB
External auto drain (E) 32 oz.	SA603D
External auto drain (W) 16 oz.	SA602D
Internal auto drain (All)	SA602MD
Manual drain (All)	SA600Y7-1
Semi-automatic "overnight" drain <i>(drains automatically under zero pressure)</i>	SA602A7
40 micron element (All)	EK602B
5 micron element (All)	EK602VB
Deflector, baffle assembly, & retaining rod (All)	RK602C
External auto drain (All)	RK602D
Internal auto drain (All)	RK602MD
Sight glass repair kit (W)	RKB605WB

Air Preparation Products General Industrial

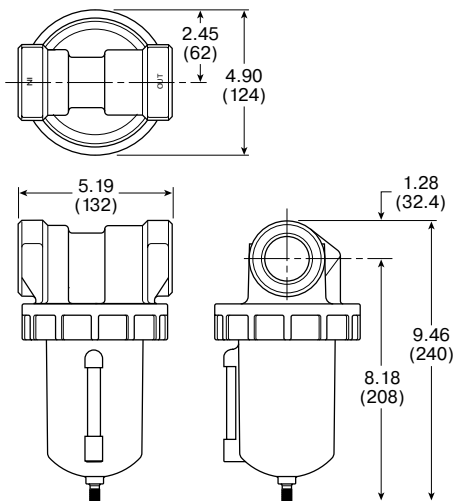
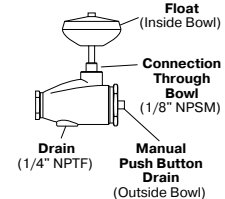
Flow Charts

F602 1-1/2" Particulate Filter



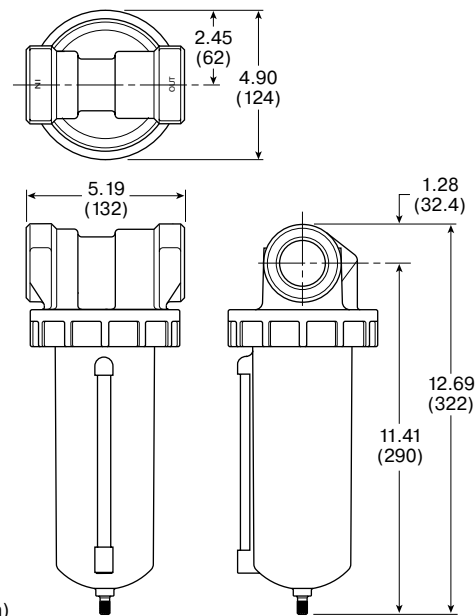
"Q" Option External Heavy Duty Auto Drain SA602D / SA603D

For heavy duty applications where the filter is being used to remove large volumes of liquid and/or particulate matter from the airstream, the external automatic drain ("Q" option) should be used.



Inches (mm)

F602-12W (Hi-Flow)



Inches (mm)

F602-12E (Hi-Flow)



For inventory, lead times, and kit lookup, visit www.pdnplu.com

H5

Parker Hannifin Corporation
Pneumatic Division
Richland, Michigan
www.parker.com/pneumatics

General Industrial
Products

H

Filters

Coalescers

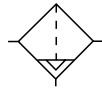
Regulators

Lubricators

Combinations

35F Particulate Filters - Hi-Flow

- Heavy-duty cast aluminum housings to withstand operating pressures up to 250 psig*
- Differential pressure indicator to eliminate the guesswork of element replacement
- Differential pressure gauge available, order separately, kit DP3-01-000
- Unique drain mounting plate design offers a trouble-free method for interchanging and installing external drains
- 1-1/2" & 2" (35F), 3" (43F) ports, NPT & BSPP



Auto Drain

Port size	Description	Part number
1-1/2"	Metal bowl / auto drain	35F77BAP
2"	Metal bowl / auto drain	35F87BAP

Operating information

Supply pressure (max):		
With pressure gauge without DPI*		250 psig (17.2 bar)
with DPI		150 psig (10.3 bar)
Operating temperature:		32°F to 150°F (0°C to 65.6°C)
Flow capacity†:		
High flow	1-1/2"	1280 scfm (604.1 dm³/s, ANR)
	2"	1400 scfm (660.7 dm³/s, ANR)
	3"	2900 scfm (1368.6 dm³/s, ANR)
Bowl capacity:		
	35F	13.9 oz.
	43F	17.2 oz.
Standard Filtration:		5 micron
Weight:		
	35F	19.3 lb (8.7 kg)
	43F	32.8 lb (14.9 kg)

† scfm = Standard cubic feet per minute at 90 psig inlet and 5 psig pressure drop.
* Without differential pressure indicator, max supply pressure is 250 psig (17.2 bar).

Ordering information:

35F
7
7
B
A
P

Port Size		Port Threads	
1-1/2 inch (35F)	7	Blank	NPT
2 inch (35F)	8	1	BSPP
Bowl		Options	
Metal without sight gauge, auto float drain	7	N	Without differential pressure indicator
		P*	With differential pressure indicator
		G**	With differential pressure gauge
Element		* Maximum pressure rating 150 psig (10.3 bar). ** Gauge ships loose	
5 Micron	B	Element	
		A	
		Current	

 Most popular.



For inventory, lead times, and kit lookup, visit www.pdnplu.com

Hi-Flow Particulate Filters

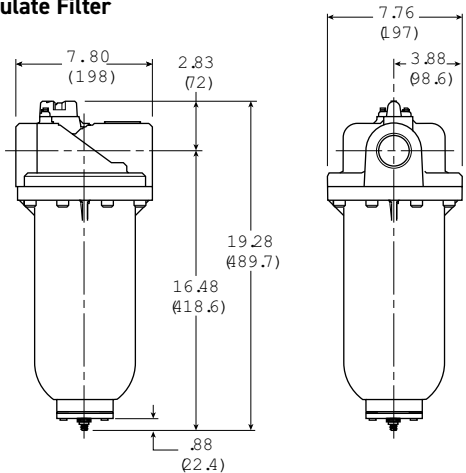
Material Specifications

Baffle	Plated steel
Body	Aluminum
Bowls	Aluminum
Deflector	Plated steel
Element retainer	Plated steel
Filter element	Polyethylene
Seals	Fluorocarbon
Stud	Plated steel

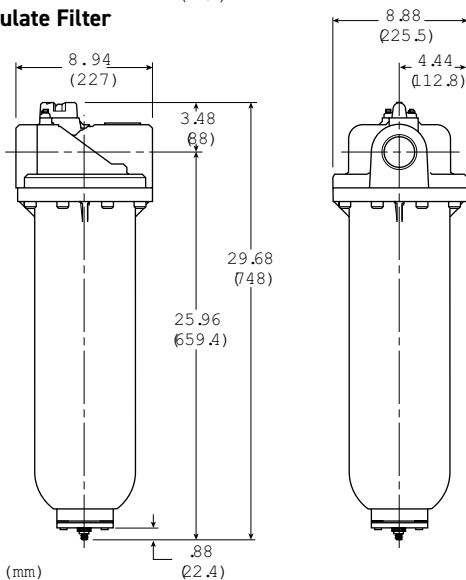
Repair and Service Kits

Differential pressure indicator cap For pressures over 150 psig	GRP-95-022
Differential pressure gauge	DP3-01-000
Differential pressure indicator	DP2-02-001
Auto drain, 1/8 NPT	GRP-95-981
Drain plate kit, 1/2 NPT tapped drain port	GRP-95-393
Element, 5 micron (35F)	FRP-95-505
Element, 5 micron (43F)	FRP-95-508
Manual drain kit with 1/2" drain plate	GRP-95-392

35F Particulate Filter



43F Particulate Filter

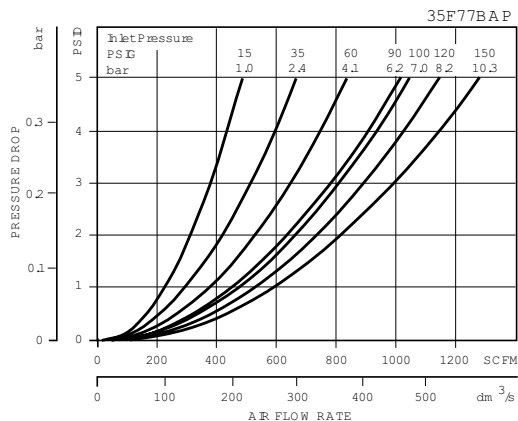


Inches (mm)

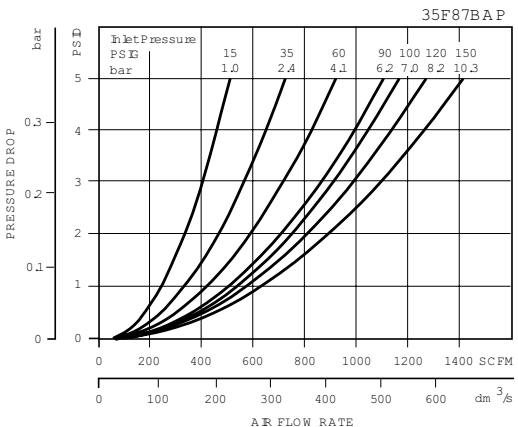
Air Preparation Products General Industrial

Flow Charts

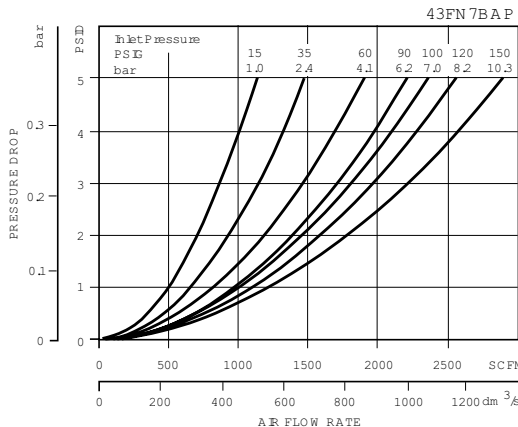
35F, 1-1/2" Particulate Filter



35F, 2" Particulate Filter



43F, 3" Particulate Filter



For inventory, lead times, and kit lookup, visit www.pdnplu.com

General Industrial Products

Filters

Coalescers

Regulators

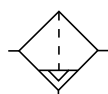
Lubricators

Combinations

35F Coalescing Filters - Hi-Flow

- Heavy-duty cast aluminum housings to withstand operating pressures up to 250 psig*
- Differential pressure indicator to eliminate the guesswork of element replacement
- Differential pressure gauge available, order separately, kit DP3-01-000
- Unique drain mounting plate design offers a trouble-free method for interchanging and installing external drains
- High-flow filter elements: coalescing, 1 micron and 0.01 micron
- 1-1/2", 2" ports (NPT, BSPP, BSPT)

* Without Differential Pressure Indicator - Max. supply pressure is 250 psig (20.1 bar).



Auto Drain

Port size	Description	Part number
1-1/2"	0.01 micron / auto float	35F77EAP
1-1/2"	1.0 micron / auto float	35F77HAP
2"	0.01 micron / auto float	35F87EAP
2"	1.0 micron / auto float	35F87HAP

Operating information

Supply pressure (max):	
With pressure gauge without DPI*	250 psig (17.2 bar)
with DPI	150 psig (10.3 bar)
Operating temperature: 32°F to 150°F (0°C to 65.6°C)	
Flow capacity†:	
High flow (35F) 1-1/2"	710 scfm (335 dm³/s, ANR)
(35F) 2"	710 scfm (335 dm³/s, ANR)
Bowl capacity: 13.9 oz.	
Standard Filtration: 0.01 & 1 micron	
Weight: 19.3 lb (8.7 kg)	

† scfm = Standard cubic feet per minute at 90 psig inlet and 5 psig pressure drop.

* Filtration temperature of 70°F (21°C) @ 100 psig (6.9 bar) with typical compressor lubricating oil and protected by 0.01 micron filter.

Ordering information:

35F	7	7	H	A	P	
Port Size 1-1/2 inch (35F) 7 2 inch (35F) 8		Element 0.01 Micron E 1 Micron H		Engineering Level A Current		Port Threads Blank NPT 1 BSPP 2 BSPT
Bowl Metal without sight gauge, auto float drain 7			Options N Without differential pressure indicator P* With differential pressure indicator			
* Maximum pressure rating 150 psig.						

Most popular.



For inventory, lead times, and kit lookup, visit www.pdnplu.com

General Industrial Products
H
 Filters
 Coalescers
 Regulators
 Lubricators
 Combinations

Hi-Flow Coalescing Filters

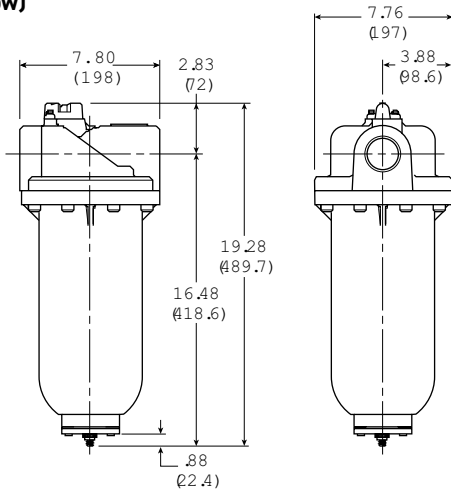
Material Specifications

Body	Aluminum
Bowls	Aluminum
Filter element cloth	Borosilicate
Seals	Fluorocarbon
Stud	Plated steel

Repair and Service Kits

Differential pressure indicator cap - for pressures over 150 psig	GRP-95-022
Differential pressure indicator	DP2-02-001
Drain, automatic, internal, fluorocarbon, 1/8 NPT	GRP-95-981
Drain plate kit, 1/2 NPT tapped drain port	GRP-95-393
35F: 0.01 Micron element	MTP-95-502
35F: 1.0 Micron element	MSP-95-502
43F: 0.01 Micron element	MTP-95-562
43F: 1.0 Micron element	MSP-95-876
Manual drain kit with 1/2" drain plate	GRP-95-392

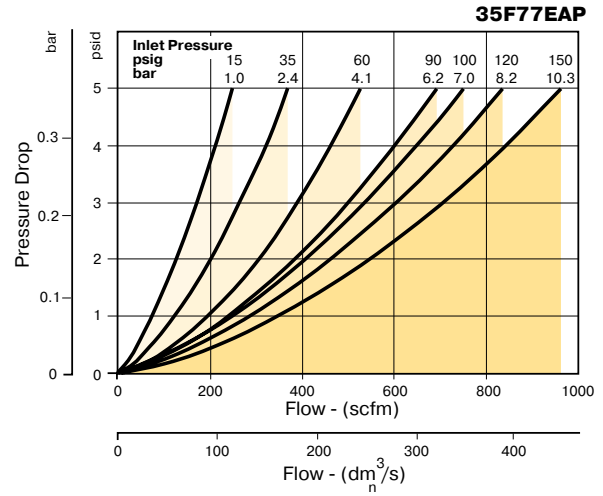
35F (Hi-Flow)



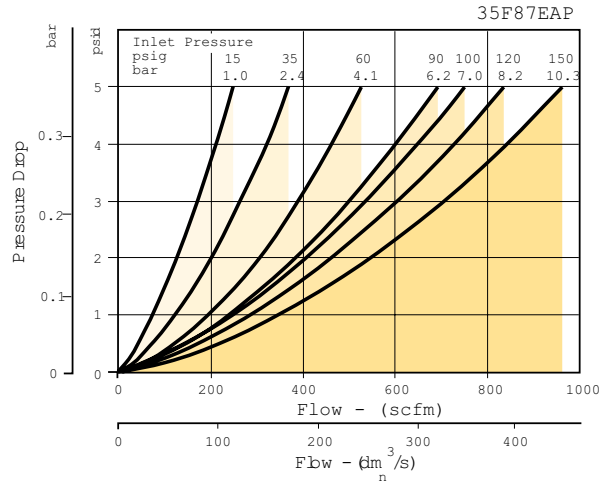
Air Preparation Products General Industrial

Flow Charts

35F 1-1/2" Coalescing Filters

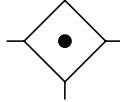


35F 2" Coalescing Filters



PM30 Coalescing Filters - Hi-Flow

- Manual Drain
- 0.01 Micron Rated Filter Element
- Differential Pressure Indicator



Port size	Description	Part number
3/4"	metal bowl, 0.01 micron element, manual drain	PM30-06-M00
3/4"	metal bowl, 0.01 micron element, auto drain	PM30-06-FM0
1"	metal bowl, 0.01 micron element, manual drain	PM30-08-M00
1"	metal bowl, 0.01 micron element, auto drain	PM30-08-FM0

Operating information

Supply pressure (max):	200 psig (13.8 bar)
Operating temperature (max):	32°F to 150°F (0°C to 65.5°C)
Flow capacity†:	3/4" 173 scfm (81.0 dm³/s, ANR) 1" 203 scfm (96.0 dm³/s, ANR)
Weight:	5.4 lb (2.3 kg)
Bowl Capacity:	2 oz.
† scfm = Standard cubic feet per minute at 90 psig inlet and 5 psig pressure drop.	
* Dry media flow, for wet media flow information see table on next page.	

General Industrial Products

H

Filters

Coalescers

Regulators

Lubricators

Combinations

Most popular.



For inventory, lead times, and kit lookup, visit www.pdnplu.com

H10

Parker Hannifin Corporation
Pneumatic Division
Richland, Michigan
www.parker.com/pneumatics

Hi-Flow Coalescing Filters

Material Specifications

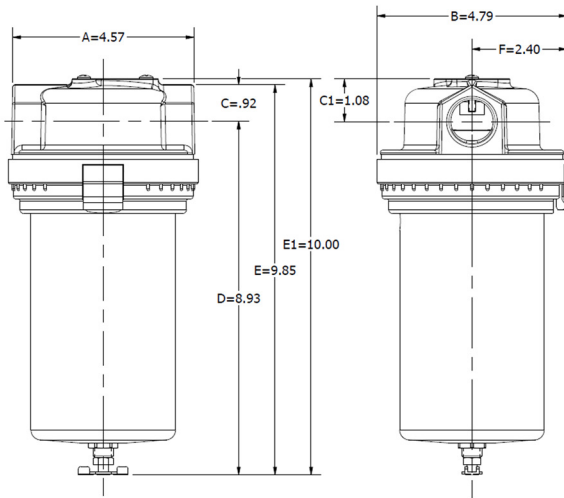
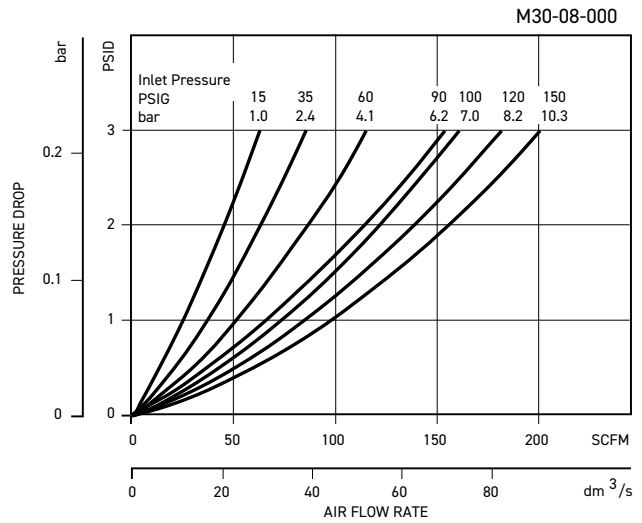
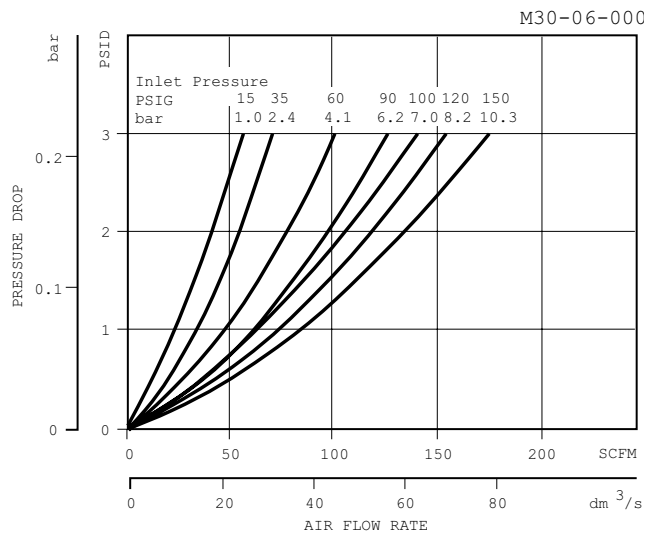
Body	Zinc
Metal bowl	Aluminum
Element Retainer	Brass Stud
Element Material	Borosilicate fibers & felt
Seals	Fluorocarbon

Repair and Service Kits

Metal Bowl/Manual Drain	PFRP-95-593
Metal Bowl/Auto Drain	PGRP-95-970
Element Kit 0.01 Micron	PMTP-95-551
Automatic Mechanical Drain	PGRP-95-973
Differential Pressure Indicator	DP2-02-000
Manual Flex-Tip	PFRP-95-610
Sight Gauge Kit	PLRP-95-771
Wall Mounting Bracket, U-bolt Pipe Clamp	PGRP-95-734

Air Preparation Products General Industrial

Flow Charts



inches (mm)

General Industrial Products
H
Filters
Coalescers
Regulators
Lubricators
Combinations



For inventory, lead times, and kit lookup, visit www.pdnplu.com

H11

Parker Hannifin Corporation
Pneumatic Division
Richland, Michigan
www.parker.com/pneumatics

F602 Particulate Filters - Hi-Flow (Discontinued)

Repair and Service Kits

Aluminum bowl (E) 32 oz.	BK603B
Zinc bowl with sight gauge (W) 16 oz.	BK605WB
External auto drain (E) 32 oz.	SA603D
External auto drain (W) 16 oz.	SA602D
Internal auto drain (All)	SA602MD
Manual drain (All)	SA600Y7-1
Semi-auto "overnight" drain <i>(drains automatically under zero pressure)</i>	SA602A7
40 micron element (All)	EK602G
Deflector, baffle assembly, & retaining rod (All)	RK602C
External auto drain (All)	RK602D
Internal auto drain (All)	RK602MD
Sight glass repair kit (W)	RKB605WB



General Industrial
 Products

H

Filters

Coalescers

Regulators

Lubricators

Combinations



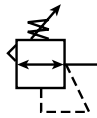
For inventory, lead times, and kit lookup, visit www.pdnplu.com



For inventory, lead times, and kit
lookup, visit www.pdnplu.com

R119 Regulators - Standard

- High flow performance featuring rugged design for the most demanding applications
- Ideal for those installations calling for constant pressure with wide variation in flow
- Diaphragm operated design with balanced poppet design for quick and accurate regulation
- Secondary aspiration plus balanced poppet provides quick response and accurate pressure regulation
- Heavy duty tee handle adjustment
- Reverse flow version available
- Panel mount version available
- 1/4", 3/8", 1/2" ports (NPT, BSPP)



Port size	Description (0-125 psig reduced pressure)	Part number
1/4"	Without gauge, relieving, NPT	R119-02C
1/4"	With gauge, relieving, NPT	R119-02CG
3/8"	Without gauge, relieving, NPT	R119-03C
3/8"	With gauge, relieving, NPT	R119-03CG
1/2"	Without gauge, relieving, NPT	R119-04C
1/2"	With gauge, relieving, NPT	R119-04CG

Operating information

Supply pressure (max):	300 psig (0 to 20.7 bar)	
Reduced pressure range:	2 to 125 psig (0.15 to 8.5 bar)	
Operating temperature:	40°F to 125°F (4.4°C to 52°C)	
Flow capacity†:		
High flow	1/4"	100 scfm (47.2 dm³/s, ANR)
	3/8"	110 scfm (51.9 dm³/s, ANR)
	1/2"	150 scfm (70.8 dm³/s, ANR)
Gauge ports (2):	1/4 inch	
Weight:	1/4"	1.8 lb (0.82 kg)
	3/8"	1.8 lb (0.82 kg)
	1/2"	3.2 lb (1.45 kg)

† scfm = Standard cubic feet per minute at 100 psig inlet, 75 psig no flow secondary setting and 20 psig pressure drop.

Ordering information:

R119 - 02 C [] /**

Port Threads	Engineering Level
NPT -	/** Will be entered at Factory
G BSPP G	

Port Size	Options
1/4 inch 02	Blank None
3/8 inch 03	G Gauge
1/2 inch 04	K† Non-relieving
	X64** Fluorocarbon o-rings and diaphragm
	X80* Reverse flow
	X7 Brass bottom plug

Reduced Pressure Range	Options
0-25 psig A	* Reverse flow for use downstream of control valves.
0-60 psig B	** Brass bottom plug standard with X64 option.
0-125 psig C	† Not available with 250 psig spring.
0-250 psig D	

Most popular.



For inventory, lead times, and kit lookup, visit www.pdnplu.com

Material Specifications

Adjusting screw, springs	Steel
Body, spring cage	Zinc
Bottom plug	Nylon
Innervalve	Brass
Seals	Buna N

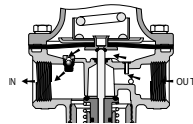
Repair and Service Kits

2" dial face 60 psig (0 to 4.1 bar), gauge	K4520N14060
2" dial face 160 psig (0 to 11.0 bar), gauge	K4520N14160
2" dial face 300 psig (0 to 20.7 bar), gauge	K4520N14300
1-3/4" digital round face 160 psig (0 to 11.0 bar), gauge	K4517N14160D
Mounting bracket, 1/4", 3/8"	SA15Y57
Mounting bracket, 1/2"	18A57
Panel mount conversion kit, 1/4", 3/8"	4202
Panel mount conversion kit, 1/2"	4204
Non-relieving diaphragm, valve assembly (1/4", 3/8", all psig)	RK118Y
Relieving diaphragm, valve assembly (1/4", 3/8", all psig)	RK119Y
Non-Relieving diaphragm, valve assembly (1/2"; 25, 60, 125 psig)	RK118A
Relieving diaphragm, valve assembly (1/2"; 25, 60, 125 psig)	RK119A
Relieving diaphragm, valve assembly (1/2"; 250 psig)	RK119A250
Spring cage & T-handle kit (1/4 & 3/8)	RKC119Y
Spring cage & insert only kit (1/2)	SAC18A3/BK

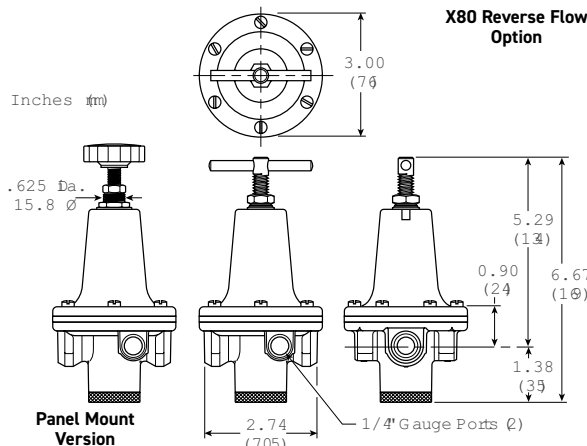
For fluorocarbon repair kits, add X64 to kit number suffix.

CAUTION:

REGULATOR PRESSURE ADJUSTMENT – The working range of knob adjustment is designed to permit outlet pressures within their full range. Pressure adjustment beyond this range is also possible because the knob is not a limiting device. This is a common characteristic of most industrial regulators, and limiting devices may be obtained only by special design. For best performance, regulated pressure should always be set by increasing the pressure up to the desired setting.

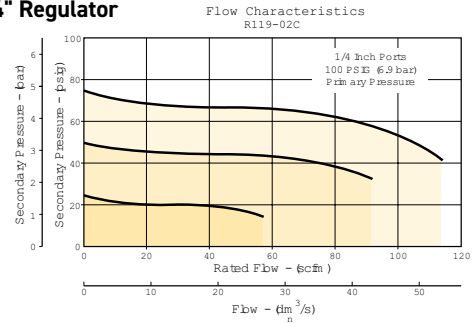


X80 Reverse Flow Option

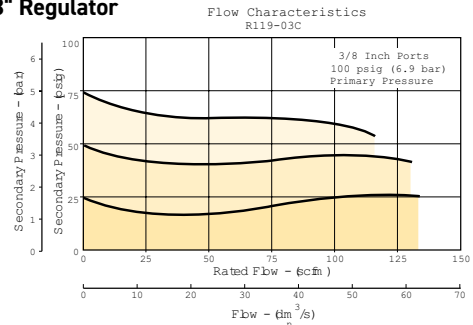


Flow Charts

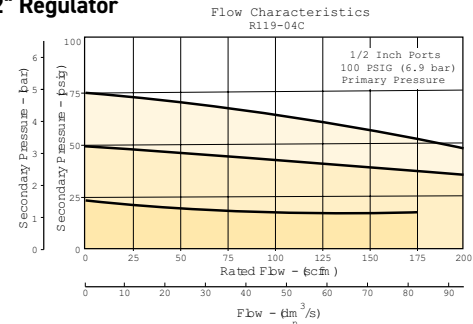
R119 1/4" Regulator



R119 3/8" Regulator



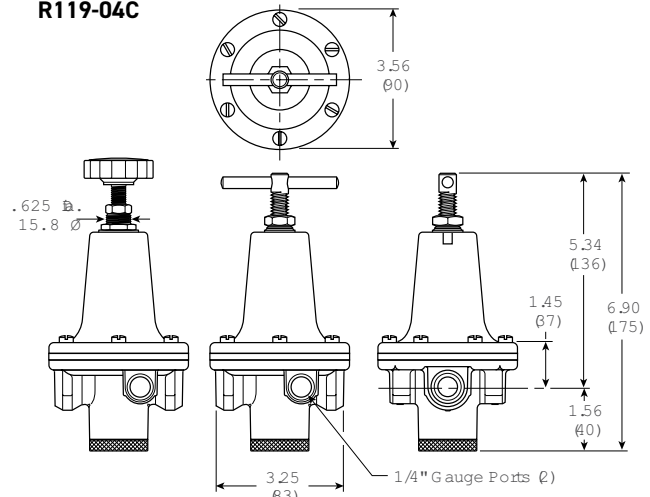
R119 1/2" Regulator



⚠ WARNING

**Product rupture can cause serious injury.
 Do not connect regulator to bottled gas.
 Do not exceed Maximum primary pressure rating.**

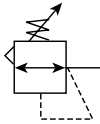
R119-04C



For inventory, lead times, and kit lookup, visit www.pdnplu.com

R119 Regulators - Hi-Flow

- High flow performance featuring rugged design for the most demanding applications
- Ideal for those installations calling for constant pressure with wide variation in flow
- Diaphragm operated design with balanced poppet design for quick and accurate regulation
- Secondary aspiration plus balanced poppet provides quick response and accurate pressure regulation
- Heavy duty tee handle adjustment
- Reverse flow version available
- 3/4", 1", 1-1/2" ports (NPT, BSPP)



Operating information

Supply pressure (max):	300 psig (0 to 20.7 bar)	
Reduced pressure range:	2 to 125 psig (0.15 to 8.5 bar)	
Operating temperature:	40°F to 125°F (4.4°C to 52°C)	
Flow capacity†:		
High flow	3/4"	300 scfm (141.6 dm³/s, ANR)
	1"	400 scfm (188.8 dm³/s, ANR)
	1-1/2"	500 scfm (236 dm³/s, ANR)
Gauge ports (2):	1/4 inch	
Weight:	3/4"	6.2 lb (2.81 kg)
	1"	6.2 lb (2.81 kg)
	1-1/2"	7.2 lb (3.27 kg)

† scfm = Standard cubic feet per minute at 100 psig inlet, 75 psig no flow secondary setting and 20 psig pressure drop.

Port size	Description (0-125 psig reduced pressure)	Part number
3/4"	Without gauge, relieving, NPT	R119-06C
3/4"	With gauge, relieving, NPT	R119-06CG
1"	Without gauge, relieving, NPT	R119-08C
1"	With gauge, relieving, NPT	R119-08CG
1-1/2"	Without gauge, relieving, NPT	R119-12C
1-1/2"	With gauge, relieving, NPT	R119-12CG

Ordering information:

R119	-	06	C		/**
Port Threads NPT - G BSPP G		Port Size 3/4 inch 06 1 inch 08 1-1/2 inch 12		Engineering Level /** Will be entered at Factory	
			Options Blank None G Gauge K Non-relieving X64** Fluorocarbon o-rings and diaphragm X80* Reverse flow X7 Brass Bottom Plug		
			Reduced Pressure Range 0-125 psig C 0-250 psig D		
			* Reverse flow for use downstream of control valves. ** Brass bottom plug standard with X64 option.		

Most popular.



For inventory, lead times, and kit lookup, visit www.pdnplu.com

Hi-Flow Regulators

Material Specifications

Adjusting screw, springs	Steel
Body, spring cage	Zinc
Bottom plug	Nylon
Innervalve	Brass
Seals	Buna N

Repair and Service Kits

2" dial face 60 psig (0 to 4.1 bar), gauge	K4520N14060
2" dial face 160 psig (0 to 11.0 bar), gauge	K4520N14160
2" dial face 300 psig (0 to 20.7 bar), gauge	K4520N14300
1-3/4" digital round face 160 psig (0 to 11.0 bar), gauge	K4517N14160D
Mounting bracket kit	18B57
Non-relieving diaphragm, valve assembly (3/4", 1")	RK118B
Non-relieving diaphragm, valve assembly (1-1/2")	RK118D
Relieving diaphragm, valve assembly (3/4", 1")	RK119B
Relieving diaphragm, valve assembly (1-1/2")	RK119D

For Fluorocarbon Repair Kits, add X64 to kit number suffix.

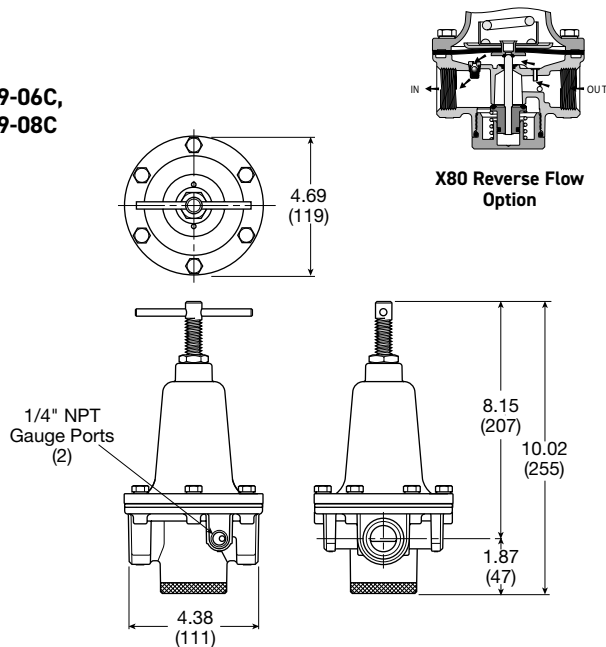
⚠ WARNING

**Product rupture can cause serious injury.
Do not connect regulator to bottled gas.
Do not exceed Maximum primary pressure rating.**

CAUTION:

REGULATOR PRESSURE ADJUSTMENT - The working range of knob adjustment is designed to permit outlet pressures within their full range. Pressure adjustment beyond this range is also possible because the knob is not a limiting device. This is a common characteristic of most industrial regulators, and limiting devices may be obtained only by special design. For best performance, regulated pressure should always be set by increasing the pressure up to the desired setting.

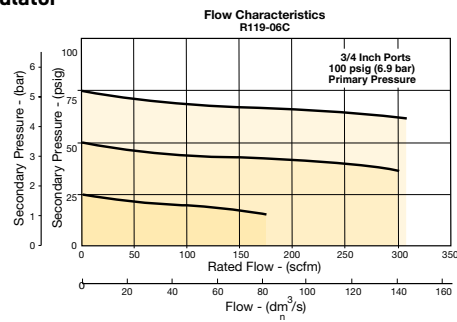
R119-06C, R119-08C



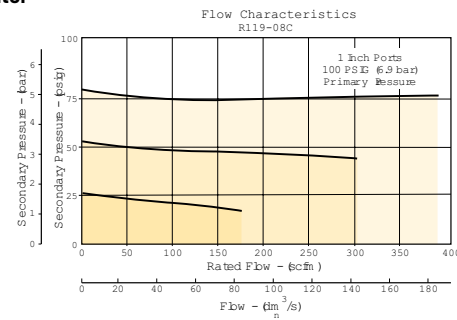
Air Preparation Products General Industrial

Flow Charts

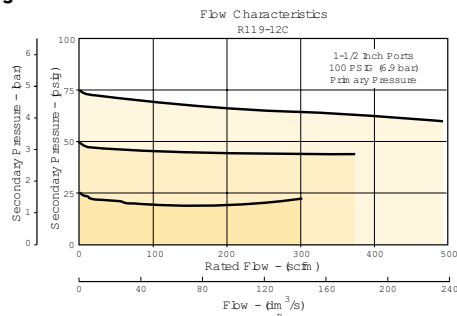
3/4" Regulator



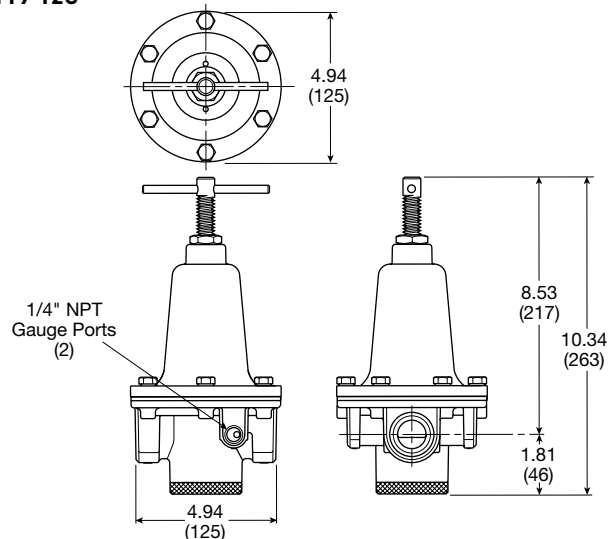
1" Regulator



1-1/2" Regulator



R119-12C



Inches (mm)

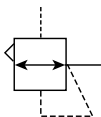


For inventory, lead times, and kit lookup, visit www.pdnplu.com

General Industrial Products
H
Filters
Coalescers
Regulators
Lubricators
Combinations

R119 - Pilot Operated Regulators

- Adapted for control by a remote or distant small pilot regulator. Ideal for maximum capacity requirements in applications where units are not readily accessible
- High flow performance featuring rugged design for the most demanding applications
- Ideal for those installations calling for constant pressure with wide variation in flow
- Diaphragm operated design with balanced poppet and constant bleed pilot for quick and accurate regulation.
- Secondary aspiration plus balanced poppet provides quick response and accurate pressure regulation
- Reverse flow available
- 1/4", 3/8", 1/2" ports (NPT, BSPP)



Port size	Description (0-125 psig reduced pressure)	Part number
1/4"	Without gauge, relieving, NPT	R119-02J
3/8"	Without gauge, relieving, NPT	R119-03J
1/2"	Without gauge, relieving, NPT	R119-04J

Operating information

Supply pressure (max):	300 psig (0 to 20.7 bar)	
Air consumption:	Constant bleed from air pilot chamber: approx. 0.17 scfm (10 scfh)	
Operating temperature:	40°F to 125°F (4.4°C to 52°C)	
Pilot pressure:	1/4", 3/8" thread - 1/8" 1/2" thread - 1/4"	
Reduced pressure range:	Adjustable to within 5 to 7 psig (0.34 to 0.48 bar) of supply pressure	
Flow capacity†:		
High flow	1/4"	100 scfm (47.2 dm³/s, ANR)
	3/8"	110 scfm (51.9 dm³/s, ANR)
	1/2"	150 scfm (70.8 dm³/s, ANR)
Gauge ports (2):	1/4 inch	
Weight:	1/4"	1.6 lb (0.73 kg)
	3/8"	1.6 lb (0.73 kg)
	1/2"	2.6 lb (1.18 kg)

† scfm = Standard cubic feet per minute at 100 psig inlet, 75 psig no flow secondary setting and 20 psig pressure drop.

Ordering information:

R119	-	02	J	/**	
Port Threads				Engineering Level	
NPT	-			/** Will be entered at Factory	
BSPP	G				
	Port Size			Options	
	1/4 inch	02		Blank	None
	3/8 inch	03		K	Non-relieving
	1/2 inch	04		X64*	Fluorocarbon o-rings and diaphragm
				X71	Non-bleed (for use with electronic controllers)
				X7	Brass bottom plug
	Reduced Pressure Range			* Brass bottom plug standard with X64 option.	
	Air pilot operated	J			

Most popular.



For inventory, lead times, and kit lookup, visit www.pdnplu.com

H18

Parker Hannifin Corporation
 Pneumatic Division
 Richland, Michigan
www.parker.com/pneumatics

Material Specifications

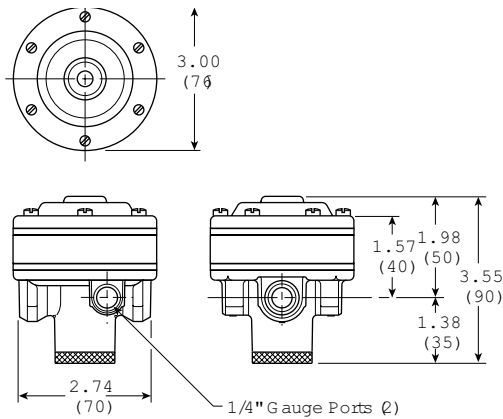
Body, ring, top plate	Zinc
Bottom plug	Nylon
Innervalve	Brass
Seals	Buna N

Repair and Service Kits

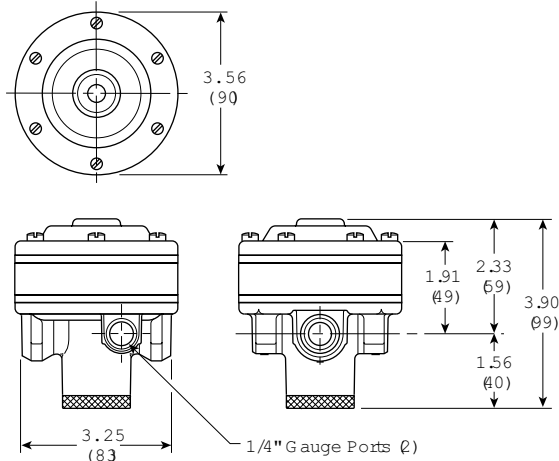
2" dial face 60 psig (0 to 4.1 bar), gauge	K4520N14060
2" dial face 160 psig (0 to 11.0 bar), gauge	K4520N14160
2" dial face 300 psig (0 to 20.7 bar), gauge	K4520N14300
1-3/4" digital round face 160 psig (0 to 11.0 bar), gauge	K4517N14160D
Non-relieving diaphragm, valve assembly (1/2")	RK118X20A
Non-relieving diaphragm, valve assembly (1/4", 3/8")	RK118X20Y
Relieving diaphragm, valve assembly (1/2")	RK119X20A
Relieving diaphragm, valve assembly (1/4", 3/8")	RK119X20Y

For fluorocarbon repair kits, add X64 to kit number suffix.
 For non-bleed pilot repair kits, add X71 to kit number suffix.

R119-02J, R119-03J



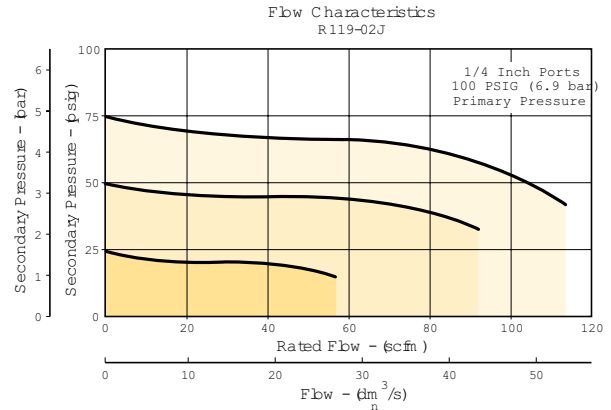
R119-04J



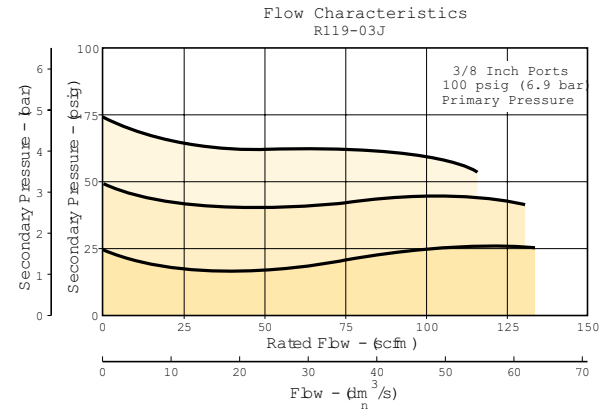
Inches (mm)

Flow Charts

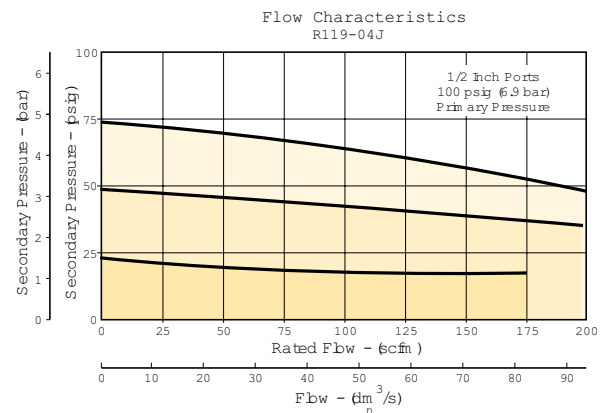
R119 1/4" Regulator



R119 3/8" Regulator



R119 1/2" Regulator



⚠ WARNING

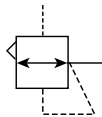
**Product rupture can cause serious injury.
 Do not connect regulator to bottled gas.
 Do not exceed Maximum primary pressure rating.**



For inventory, lead times, and kit lookup, visit www.pdnplu.com

R119 Pilot Operated Regulators - Hi-Flow

- Adapted for control by a remote or distant small pilot regulator. Ideal for maximum capacity requirements in applications where units are not readily accessible
- High flow performance featuring rugged design for the most demanding applications
- Ideal for those installations calling for constant pressure with wide variation in flow
- Diaphragm operated design with balanced poppet and constant bleed pilot for quick and accurate regulation
- Secondary aspiration plus balanced poppet provides quick response and accurate pressure regulation
- Reverse flow version available
- 3/4", 1", 1-1/2" ports (NPT, BSPP)



Port size	Description (0-125 psig reduced pressure)	Part number
3/4"	Without gauge, relieving, NPT	R119-06J
1"	Without gauge, relieving, NPT	R119-08J
1-1/2"	Without gauge, relieving, NPT	R119-12J

Operating information

Supply pressure (max):	300 psig (0 to 20.7 bar)	
Air consumption:	Constant bleed from air pilot chamber: approx. 0.17 scfm (10 scfh)	
Operating temperature:	40°F to 125°F (4.4°C to 52°C)	
Reduced pressure range:	Adjustable to within 5 to 7 psig (0.34 to 0.48 bar) of supply pressure	
Flow capacity†:		
High flow	3/4"	300 scfm (141.6 dm³/s, ANR)
	1"	300 scfm (141.6 dm³/s, ANR)
	1-1/2"	500 scfm (236 dm³/s, ANR)
Gauge ports (2):	1/4 inch	
Weight:	3/4"	5.2 lb (2.36 kg)
	1"	5.2 lb (2.36 kg)
	1-1/2"	5.6 lb (2.54 kg)

† scfm = Standard cubic feet per minute at 100 psig inlet, 75 psig no flow secondary setting and 20 psig pressure drop.

Ordering information:

R119	-	06	J	/**
Port Threads				Engineering Level
NPT	-			/** Will be entered at Factory
BSPP	G			
	Port Size			Options
	3/4 inch	06		Blank
	1 inch	08		K
	1-1/2 inch	12		X64*
				X71
				X80
	Reduced Pressure Range			
	Air pilot operated	J		

* Brass bottom plug standard with X64 option.

Most popular.



For inventory, lead times, and kit lookup, visit www.pdnplu.com

H20

Parker Hannifin Corporation
 Pneumatic Division
 Richland, Michigan
www.parker.com/pneumatics

Hi-Flow Regulators

Material Specifications

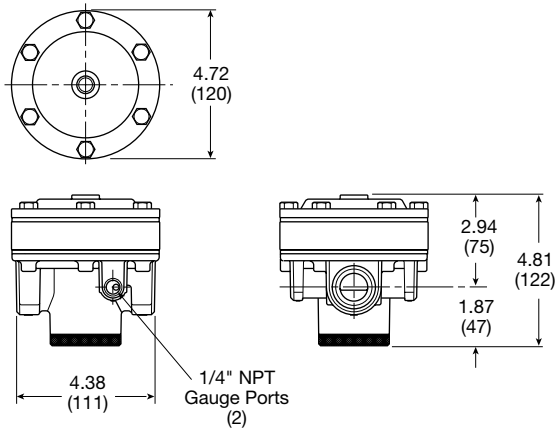
Body, ring, top plate	Zinc
Bottom plug, innervalve	Brass
Seals	Buna N

Repair and Service Kits

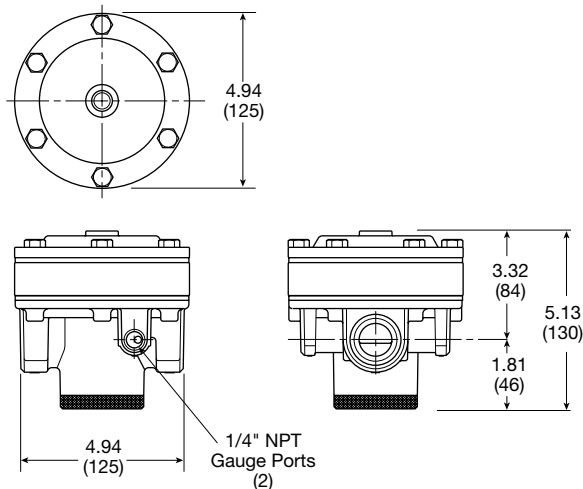
2" dial face 60 psig (0 to 4.1 bar), gauge	K4520N14060
2" dial face 160 psig (0 to 11.0 bar), gauge	K4520N14160
2" dial face 300 psig (0 to 20.7 bar), gauge	K4520N14300
1-3/4" digital round face 160 psig (0 to 11.0 bar), gauge	K4517N14160D
Non-relieving diaphragm, valve assembly (3/4", 1")	RK118X20B
Non-relieving diaphragm, valve assembly (1-1/4", 1-1/2")	RK118X20D
Relieving diaphragm, valve assembly (3/4", 1")	RK119X20B
Relieving diaphragm, valve assembly (1-1/4", 1-1/2")	RK119X20D

For Fluorocarbon Repair Kits, add X64 to Kit Number suffix.

R119-06J, R119-08J



R119-12J

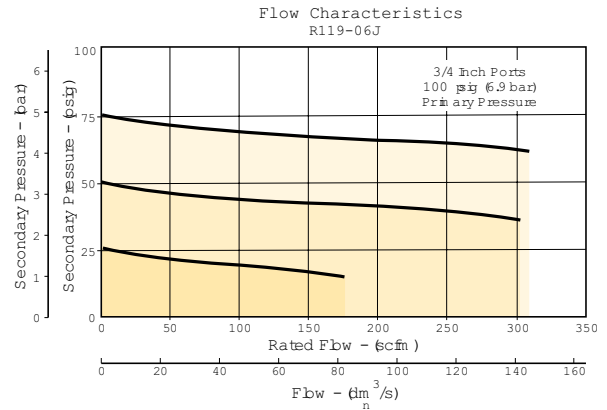


Inches (mm)

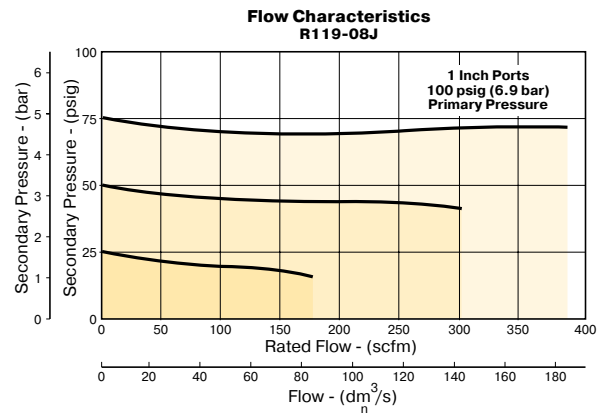
Air Preparation Products General Industrial

Flow Charts

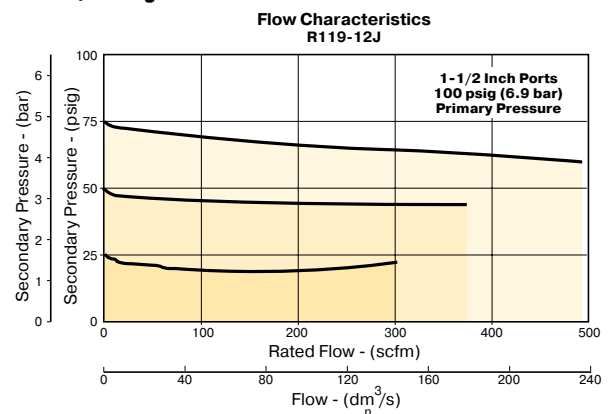
R119 3/4" Regulator



R119 1" Regulator



R119 1-1/2" Regulator



⚠ WARNING

**Product rupture can cause serious injury.
Do not connect regulator to bottled gas.
Do not exceed Maximum primary pressure rating.**



For inventory, lead times, and kit lookup, visit www.pdnplu.com

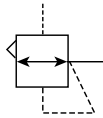
H21

Parker Hannifin Corporation
Pneumatic Division
Richland, Michigan
www.parker.com/pneumatics

General Industrial Products
H
Filters
Coalescers
Regulators
Lubricators
Combinations

R119 Pilot Operated Regulators - Hi-Flow

- Adapted for control by a remote or distant small pilot regulator. Ideal for maximum capacity requirements in applications where units are not readily accessible
- High flow performance featuring rugged design for the most demanding applications
- Ideal for those installations calling for constant pressure with wide variation in flow
- Piston operated design with balanced poppet and dual constant bleed for quick and accurate regulation
- 2" ports (NPT, BSPP)



Port size	Description (0-125 psig reduced pressure)	Part number
2"	Without gauge, relieving, NPT	R119-16J

Operating information

Supply pressure (max):	300 psig (0 to 20.7 bar)
Air consumption:	Constant bleed from Air pilot chamber: approx. 0.17 scfm (10 scfh)
	Reduced pressure: approx. 0.17 scfm (10 scfh)
Operating temperature:	40°F to 120°F (4.4°C to 48.9°C)
Reduced pressure range:	Adjustable to within 5 to 7 psig (0.34 to 0.48 bar) of supply pressure
Flow capacity†:	High flow 1800 scfm (850 dm³/s, ANR)
Gauge ports (2):	Can be used for full flow 1/4 inch High pressure outlet for pilot 1/4 inch
Weight:	15 lb (6.8 kg)

† scfm = Standard cubic feet per minute at 100 psig inlet, 75 psig no flow secondary setting and 20 psig pressure drop.

Ordering information:

R119	-	16	J
Port Threads NPT - BSPP G		Reduced Pressure Range J Air pilot operated	
Port Size 2 inch 16			

NOTE: Non-relieving not available.

Most popular.



For inventory, lead times, and kit lookup, visit www.pdnplu.com

H22

Parker Hannifin Corporation
 Pneumatic Division
 Richland, Michigan
www.parker.com/pneumatics

Hi-Flow Regulators

Material Specifications

Body, piston	Aluminum
Seals	Buna N
Innervalve stainless	Brass &

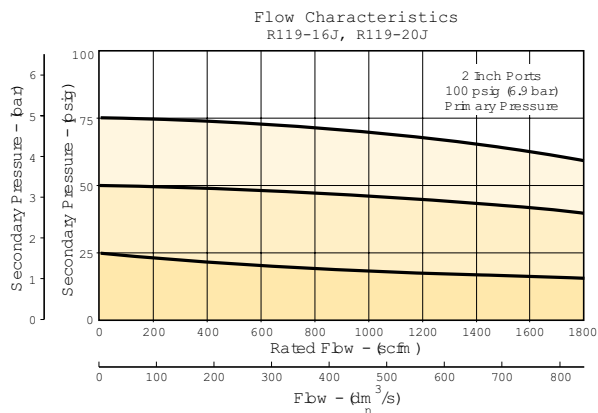
Repair and Service Kits

2" dial face 60 psig (0 to 4.1 bar), gauge	K4520N14060
2" dial face 160 psig (0 to 11.0 bar), gauge	K4520N14160
2" dial face 300 psig (0 to 20.7 bar), gauge	K4520N14300
1-3/4" digital round face 160 psig (0 to 11.0 bar), gauge	K4517N14160D
Piston type regulation (2")	RK119G

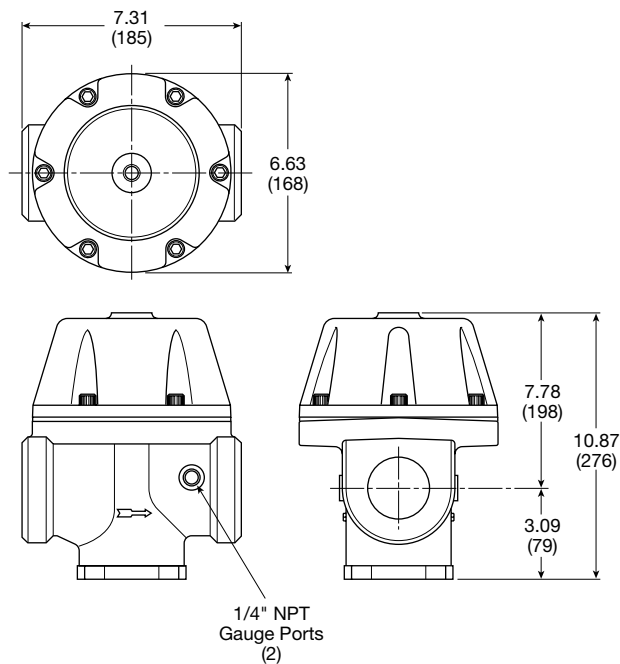
Air Preparation Products General Industrial

Flow Charts

R119 2" Regulator



R119-16J



Inches (mm)

⚠ WARNING

**Product rupture can cause serious injury.
Do not connect regulator to bottled gas.
Do not exceed Maximum primary pressure rating.**



For inventory, lead times, and kit lookup, visit www.pdnplu.com

General Industrial Products

H

Filters

Coalescers

Regulators

Lubricators

Combinations

PL30 Lubricators - Standard

- Full View Sight Dome
- Siphon Tube Filter Provides Clean Lubricant
- Downstream
- Quick-Disconnect Clamp Ring for Easy Bowl Removal
- Adjustable Oil Feed
- Standard Metal Bowl with Petcock Drain
- Can be Filled while Under Pressure



Ordering information:

Port size	Description	Part number
3/4"	metal bowl with sight gauge, manual drain	PL30-06-G00
1"	metal bowl with sight gauge, manual drain	PL30-08-G00

Suggested Lubricant **Airline Oil F442001**
 Petroleum based oil of 100 to 200 SUS viscosity at 100°F (38°C) and an aniline point greater than 200°F (93°C)
 (DO NOT USE OILS WITH ADDITIVES, COMPOUNDED OILS CONTAINING SOLVENTS, GRAPHITE, DETERGENTS, OR SYNTHETIC OILS.)

Operating information

Supply pressure (max):	200 psig (13.8 bar)	
Operating temperature:	32°F to 150°F (0°C to 65.5°C)	
Flow capacity†:	3/4"	196 scfm (92.4 dm ³ /s, ANR)
	1"	374 scfm (176.4 dm ³ /s, ANR)
Bowl capacity:	26.0 oz.	
Weight:	5.6 lb (2.54 kg)	

† Inlet pressure 120 PSIG (8.3 bar). Pressure drop 5 PSID (0.3 bar).

General Industrial
 Products

H


Filters

Coalescers

Regulators

Lubricators

Combinations

 Most popular.



For inventory, lead times, and kit lookup, visit www.pdnplu.com

H24

Parker Hannifin Corporation
 Pneumatic Division
 Richland, Michigan
www.parker.com/pneumatics

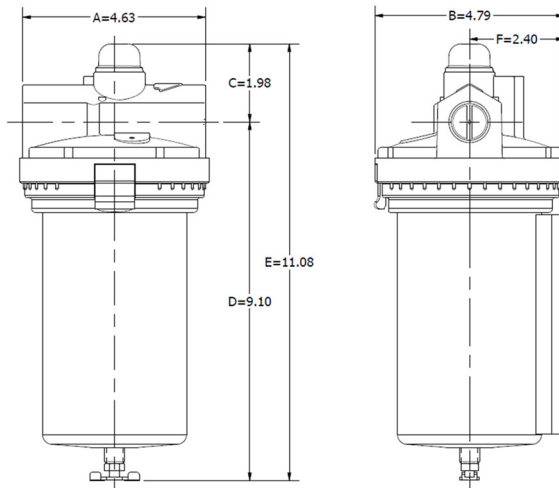
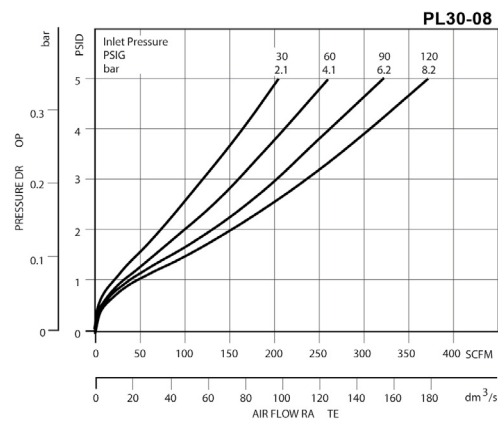
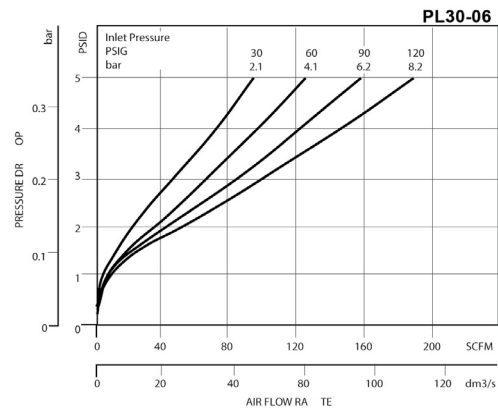
Material Specifications

Body	Zinc
Metal Bowl	Aluminum
Sight Dome	Nylon
Sight Gauge	Tempered Safety Glass
Seals	Fluorocarbon

Repair and Service Kits

Metal Bowl/Sight Gauge/Brass Petcock Drain	PGRP-95-676
Fill Plug Kit - Fill Plug & O-ring	PLRP-95-253
Flow Guide - 3/4" NPT/BSPP-G	PLRP-95-189
Flow Guide - 1" NPT/BSPP-G	PLRP-95-190
Sight Dome Kit - Sight Dome & O-ring	PLRP-95-249
Tube, Siphon - Tube & Bronze Filter	PLRP-96-182
Air Line Oil (1 quart) F442001	
Air Line Oil (1 gallon) F442002	
Brass Petcock Drain PGRP-95-182	
Sight Gauge Kit	PLRP-95-771
Wall Mounting Bracket, U-Bolt Pipe Clamp	PGRP-95-734

Flow Charts



inches (mm)

General Industrial Products
H
Filters
Coalescers
Regulators
Lubricators
Combinations



For inventory, lead times, and kit lookup, visit www.pdnplu.com

PL40 Lubricators - Standard

- Full View Sight Dome
- Siphon Tube Filter Provides Clean Lubricant
- Downstream
- Quick-Disconnect Clamp Ring for Easy Bowl Removal
- Adjustable Oil Feed
- Standard Metal Bowl with Petcock Drain
- Can be Filled while Under Pressure



Ordering information:

Port size	Description	Part number
1-1/2"	metal bowl with sight gauge, manual drain	PL40-0B-G00

Suggested Lubricant **Airline Oil F442001**
 Petroleum based oil of 100 to 200 SUS viscosity at 100°F (38°C) and an aniline point greater than 200°F (93°C)
 (DO NOT USE OILS WITH ADDITIVES, COMPOUNDED OILS CONTAINING SOLVENTS, GRAPHITE, DETERGENTS, OR SYNTHETIC OILS.)

Operating information

Supply pressure (max):	150 psig (10.3 bar)
Operating temperature:	32°F to 125°F (0°C to 52°C)
Flow capacity†:	1-1/2" 927 scfm (437 dm³/s, ANR)
Bowl capacity:	26.0 oz.
Weight:	9.4 lb (4.3 kg)
† Inlet pressure 120 PSIG (8.3 bar). Pressure drop 5 PSID (0.3 bar).	

General Industrial
 Products

H


Filters

Coalescers

Regulators

Lubricators

Combinations

 Most popular.



For inventory, lead times, and kit lookup, visit www.pdnplu.com

H26

Parker Hannifin Corporation
 Pneumatic Division
 Richland, Michigan
www.parker.com/pneumatics

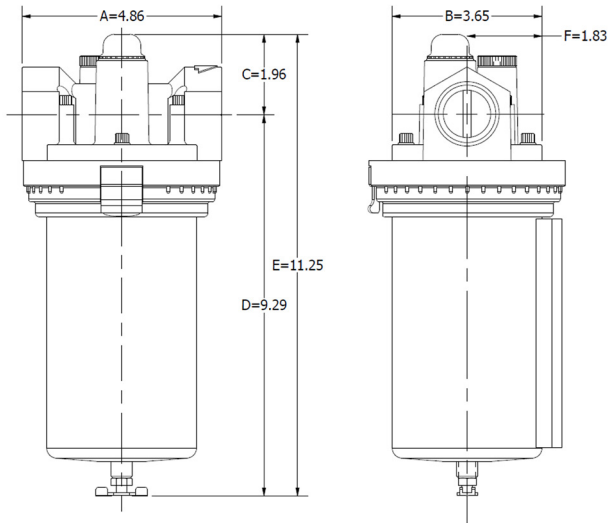
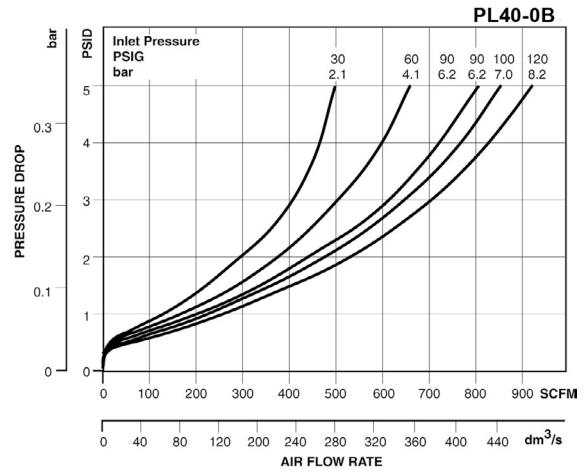
Material Specifications

Body	Zinc
Metal Bowl	Aluminum
Sight Dome	Nylon
Sight Gauge	Tempered Safety Glass
Seals	Nitrile

Repair and Service Kits

Metal Bowl/Sight Gauge/Brass Petcock Drain	PGRP-95-676
Metal Bowl/Brass Petcock Drain	PFRP-95-593
Fill Plug Kit - Fill Plug & O-ring	PLRP-95-250
Sight Dome Kit - Sight Dome & O-ring	PLRP-95-249
Tube, Siphon - Tube & Bronze Filter	PLRP-96-182
Air Line Oil (1 quart) F442001	
Air Line Oil (1 gallon) F442002	
Brass Petcock Drain PGRP-95-182	
Sight Gauge Kit	PLRP-95-771

Flow Charts



inches (mm)



Air Preparation Products
Miniature / Inline

Filters

O2F	J2-J3
P31FB	J4-J5
14F	J6-J7

Coalescing Filters

O2F	J8-J9
P31F	J10-J11
10F	J12-J13
15F	J14-J15

Regulators

P31R	J16-J17
14R	J18-J19
P3A-R	J20-J21
R34	J22-J23
R25	J24-J25
R45	J26-J27
15R	J28-J29

Filter / Regulators

P31EB	J30-J31
B34	J32-J33
14E	J34-J35
O5E	J36-J37

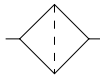
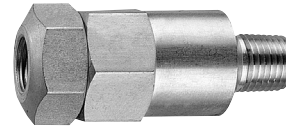
Lubricators

O2L	J38-J39
P31LB	J40-J41
O4L	J42-J43

02F Particulate Filters - Miniature

Application

This small, aluminum in-line filter is designed to provide protection for portable pneumatic hand tools. It weighs only 2 ounces with a throw-away filter element rated at 5 micron. Either port may be used as the inlet port. Flow is 17 scfm at 90 psig inlet pressure with 5 psig pressure drop.



Operating information

Supply pressure (max):	200 psig (13.8 bar)
Operating temperature:	32°F to 150°F (0°C to 65.6°C)
Flow capacity†:	17 scfm (8 dm³/s, ANR)
Standard Filtration*:	5 micron
Weight:	0.13 lb (0.06 kg)

† Inlet pressure 90 psig (6.2 bar). Pressure drop 5 psid (0.3 bar).

* "F" Series Filters, Type "A" 5 micron elements: All Parker 5 micron elements meet or exceed ISO Class 3 for maximum particle size and concentration of solid contaminants.

Port Size	Description	Part Number
1/4"	Inline Filter	02F1BA

- Filters
- Coalescers
- Regulators
- Filter / Regulators
- Lubricators
- Miniature / Inline Products

Most popular.



For inventory, lead times, and kit lookup, visit www.pdnplu.com

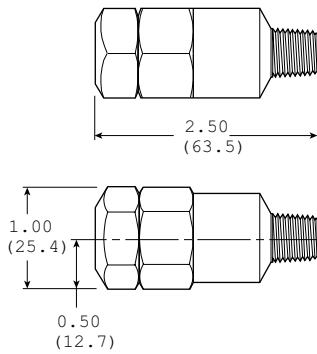
Miniature Particulate Filters

Material Specifications

Body	Aluminum
Baffle	Aluminum
Filter element	Sintered polyethylene
Seals	Nitrile

Repair and Service Kits

5 Micron	PS436
----------	--------------

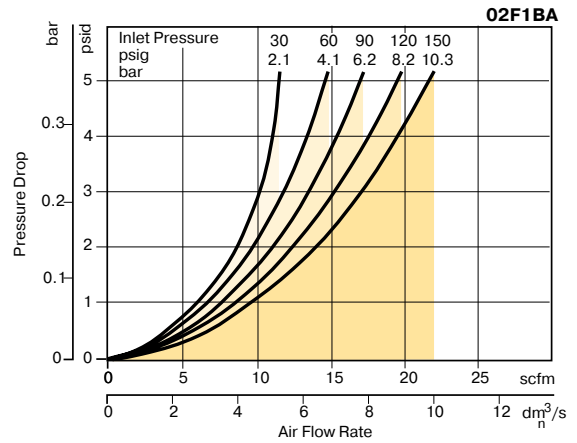


Inches (mm)

Air Preparation Products Miniature / Inline

Flow Charts

1/4" Filter



Filters

Coalescers

Regulators

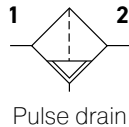
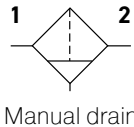
Filter /
Regulators

Lubricators

Miniature / Inline
Products

P31 Particulate Filter - Mini

- Integral 1/4" ports (NPT, BSPP & BSPT)
- High efficiency 5 micron element as standard
- Excellent water removal efficiency
- Robust but lightweight aluminum construction
- One hand operation for easy element cartridge removal
- Positive bayonet latch to ensure correct & safe fitting



Operating information

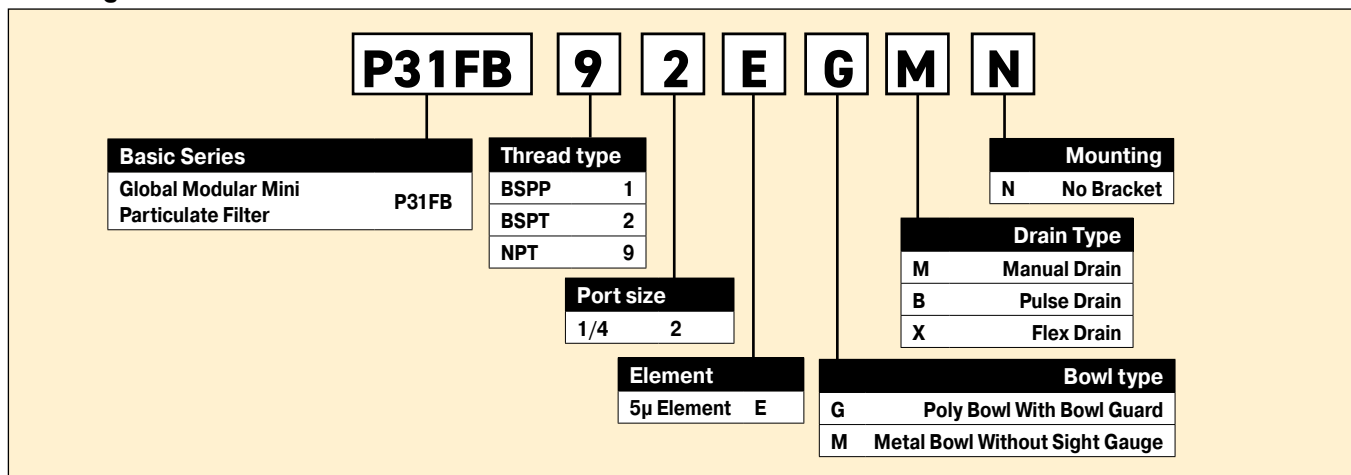
Supply pressure (max):	
Plastic bowl	150 psig (10 bar)
Metal bowl	250 psig (17 bar)
Operating temperature:	
Plastic bowl	14°F to 125°F (-10°C to 52°C)
Metal bowl	14°F to 150°F (-10°C to 65.5°C)
Standard filtration:	5 micron
Flow capacity*:	25 scfm (12 dm ³ /s, ANR)
Useful retention†:	0.4 US oz. (12 cm ³)
Weight:	0.24 lb (0.11 kg)

* Inlet pressure 91.3 psig (6.3 bar). Pressure drop 4.9 psig (0.34 bar).
 † Useful retention refers to volume below the quiet zone baffle.

Air quality:
 Within ISO 8573-1: 1991 Class 3 (Particulates)
 Within ISO 8573-1: 2001 Class 6 (Particulates)

Port Size	Description	Part Number
1/4"	Poly Bowl, Manual Drain	P31FB92EGMN
1/4"	Poly Bowl, Pulse Drain	P31FB92EGBN
1/4"	Metal Bowl, Manual Drain	P31FB92EMMN
1/4"	Metal Bowl, Pulse Drain	P31FB92EMBN

Ordering Information:



Most popular.



For inventory, lead times, and kit lookup, visit www.pdnplu.com

Material Specifications

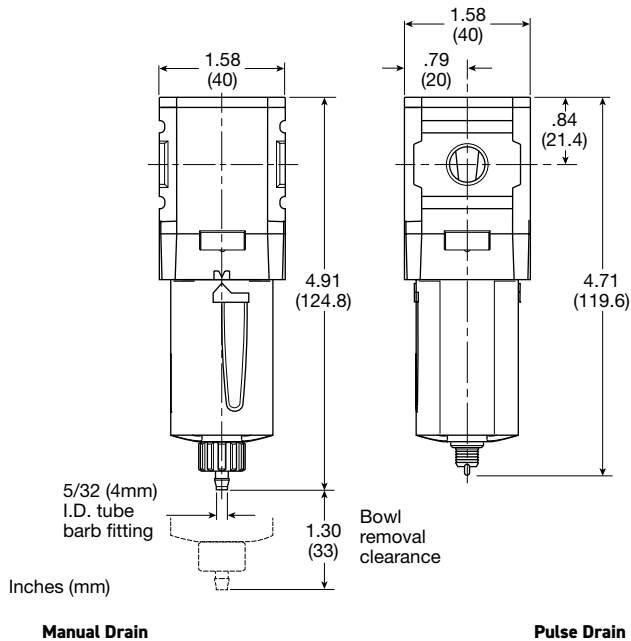
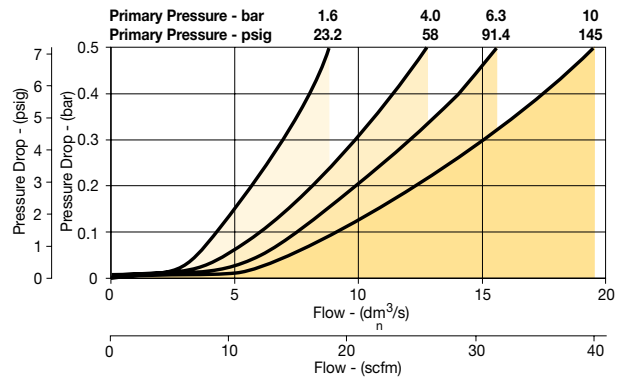
Body	Aluminum
Body cap	ABS
Plastic bowl	Polycarbonate
Metal bowl	Aluminum
Bowl guard	Nylon
Element retainer	Acetal
Baffle	Acetal
Filter element polyethylene	Sintered
Seals	Nitrile

Repair and Service Kits

Plastic bowl / bowl guard, manual drain	P31KB00BGM
Metal bowl / w/o sight gauge, manual drain	P31KB00BMM
Plastic bowl / bowl guard, pulse drain	P31KB00BGB
Metal bowl / w/o sight gauge, pulse drain	P31KB00BMB
5 μ particle filter element	P31KA00ESE
C-bracket (fits to body)	P31KA00MW
T-bracket with body connector	P31KA00MT
Body connector	P31KA00CB

Flow Charts

P31 1/4 Particulate Filter

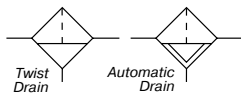


Filters
Coalescers
Regulators
Filter / Regulators
Lubricators
Miniature / Inline Products

Miniature Particulate Filters

14F Particulate Filters - Miniature

- Excellent water removal efficiency
- Unique deflector plate that creates swirling of the air stream ensuring maximum water and dirt separation
- Easily disassembled for servicing without the use of tools
- 5 micron element standard
- Interchangeable twist and automatic pulse drains
- 1/8" & 1/4" ports (NPT, BSPP & BSPT)



Port Size	Description †	Part Number
1/8"	Poly Bowl, Twist Drain	14F01BB
1/8"	Metal Bowl, Twist Drain	14F03BB
1/8"	Poly Bowl, Auto Pulse Drain	14F05BB
1/8"	Metal Bowl, Auto Pulse Drain	14F07BB
1/4"	Poly Bowl, Twist Drain	14F11BB
1/4"	Metal Bowl, Twist Drain	14F13BB
1/4"	Poly Bowl, Auto Pulse Drain	14F15BB
1/4"	Metal Bowl, Auto Pulse Drain	14F17BB

† For polycarbonate bowl, see caution in Engineering Section A.

Operating information

Supply pressure (max):		
Plastic bowl		0 to 150 psig (0 to 10.3 bar)
Metal bowl		0 to 250 psig (0 to 17.2 bar)
Auto pulse drain		10 to 250 psig (0.7 to 17.2 bar)
Operating temperature:		
Plastic bowl		32°F to 125°F (0°C to 52°C)
Metal bowl		32°F to 175°F (0°C to 80°C)
Auto pulse drain		125°F (52°C) or less
Flow capacity†:		
High flow	1/8"	22 scfm (10.4 dm³/s, ANR)
	1/4"	24 scfm (11.3 dm³/s, ANR)
Bowl capacity:		1 oz.
Auto pulse drain tube barb		1/8 inch
Weight:		0.41 lb (0.18 kg)

† scfm = Standard cubic feet per minute at 90 psig inlet and 5 psig pressure drop.

Ordering Information:

14F	1	1	B	B	1
Port Size		Bowl Options		Port Type	
1/8 inch	0	Poly Bowl, Twist Drain	1	Blank	NPT
1/4 inch	1	Poly Bowl, Automatic Pulse Drain	5	1	BSPP
		Metal Bowl, Twist Drain	3	2	BSPT
		Metal Bowl, Automatic Pulse Drain	7	Engineering Level	
				B	Current
				Element	
				A	40 Micron
				B	5 Micron
				Z	Adsorber

Most popular.



For inventory, lead times, and kit lookup, visit www.pdnplu.com

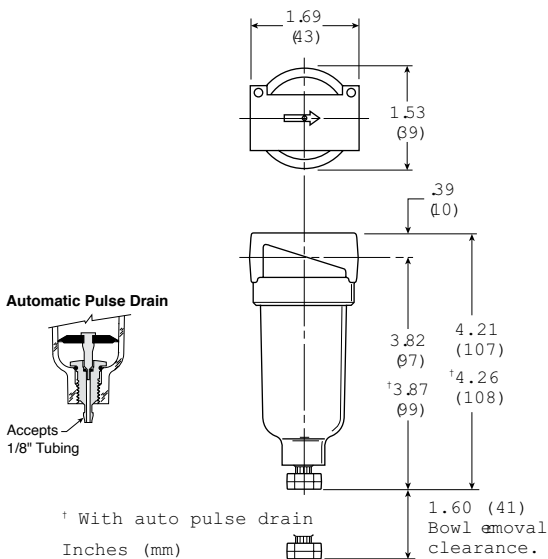
Miniature Particulate Filters

Material Specifications

Body	Zinc
Transparent bowl	Polycarbonate
Metal bowl without sight gauge	Zinc
Deflector, element holder & baffle	Plastic
Twist drain, body & stem	Plastic
Twist drain, seals	Nitrile
Auto pulse drain, piston & seals	Nitrile
Auto pulse drain, stem, seat, adaptor & washers	Aluminum
Element	Plastic
Adsorber (optional)	Activated charcoal
Seals	Nitrile

Repair and Service Kits

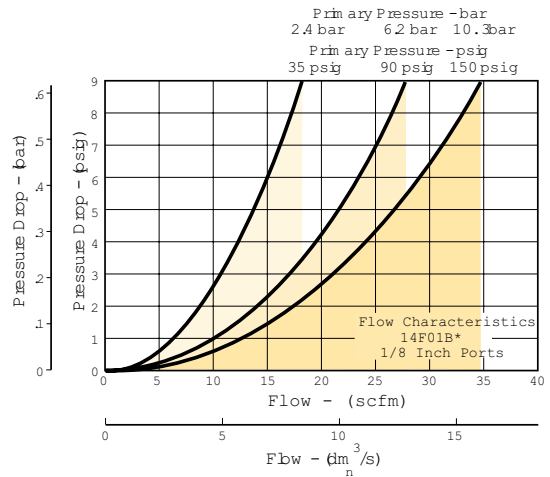
Poly bowl / auto pulse drain	PS408BP
Poly bowl / twist drain	PS404P
Metal bowl / auto pulse drain	PS451BP
Metal bowl / twist drain	PS447BP
40 Micron element	PS401P
5 Micron element	PS403P
5 Micron cartridge kit	PS407P
Adsorber element	PS452P
Mounting bracket kit	PS417BP



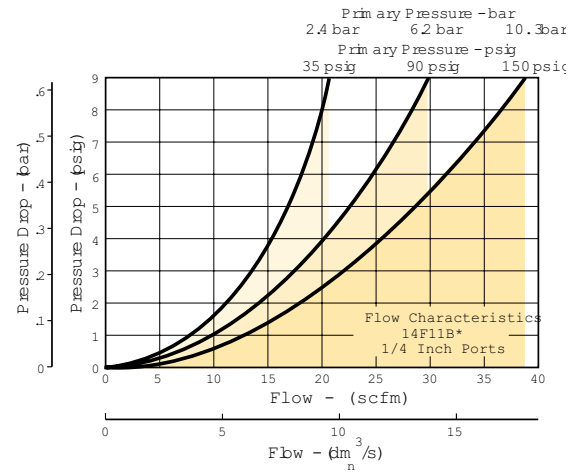
Air Preparation Products Miniature / Inline

Flow Charts

14F 1/8" Particulate Filter



14F 1/4" Particulate Filter



Filters

Coalescers

Regulators

Filter /
Regulators

Lubricators

Miniature / Inline
Products

Miniature Coalescing Filters

02F Coalescing Filters - Miniature

- Clear nylon housing.
- Full length support tube.
- Positive tube seals.
- Optional filter grades available.
- Disposable.



Application

The 02F Miniature Inline Filter is designed to remove 99.9%+ of the aerosols and sub-micron particles from your air system.

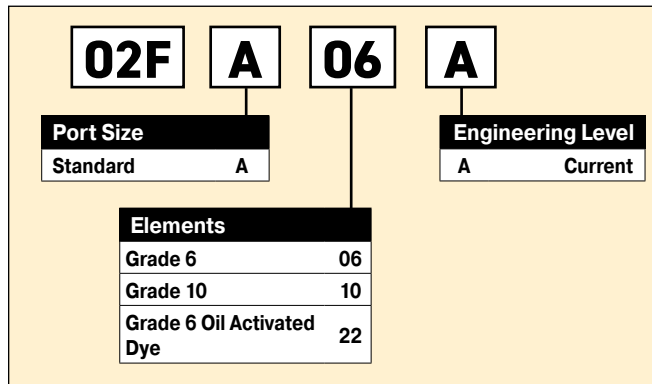
Operating information

Pressure & temperature:	100 psig at 125°F (0.69 bar at 52°C) or less
High flow†:	Grade 6 3.5 scfm (1.65 dm³/s, ANR) Grade 10 5.3 scfm (2.50 dm³/s, ANR)
Port size:	1/4 I.D. hose slip on tang standard

† scfm @ 1 psid operating pressure 100 psig.

Port Size	Element	Part Number
1/4" I.D.	Grade 6 (0.01 micron)	02FA06A
	Grade 10 (1.0 micron)	02FA10A
	Grade 6 (oil activated dye)	02FA22A

Ordering Information:



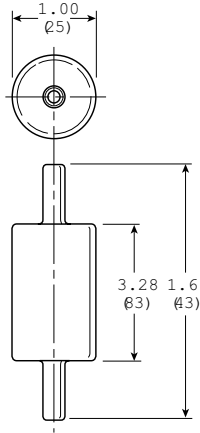
Filters
Coalescers
Regulators
Filter / Regulators
Lubricators
Miniature / Inline Products



Miniature Coalescing Filters

Material Specifications

Element	Borosilicate & Felt Glass Fibers
Housing	Nylon

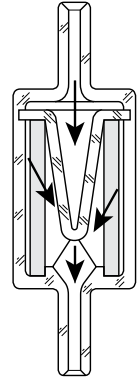


Inches (mm)

Air Preparation Products Miniature / Inline

Operation

The contaminated air enters the filters interior and is forced through the elements membrane of Borosilicate glass fibers. Contaminants and aerosols are collected and distributed evenly along the entire tubes length. This is accomplished by the use of the "center post" which not only provides this "drop out pocket", but also provides a stable support.



Filters
Coalescers
Regulators
Filter / Regulators
Lubricators
Miniature / Inline Products

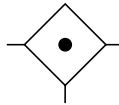
P31 Coalescing and Adsorber Filters - Mini

- Integral 1/4" ports (NPT, BSPP & BSPT)
- Removes liquid aerosols and sub micron particles
- Oil free air for critical applications, such as air gauging, pneumatic instrumentation and control
- Positive bayonet latch to ensure correct and safe fitting
- Adsorbing activated carbon element removes oil vapors and most hydrocarbons



Note: To optimize the life of coalescing element, it is advisable to install a P31F pre-filter with a 5 micron element upstream of the coalescing filter.

To optimize the life of an Adsorber it is advisable to install a P31 Coalescing Filter upstream of the Adsorber. Adsorber element should be replaced approximately every 1000 hours of service.



Operating information

Supply pressure (max):	
Poly bowl	150 psig (10 bar)
Metal bowl	250 psig (17 bar)
Operating temperature:	
Plastic bowl	14°F to 125°F (-10°C to 52°C)
Metal bowl	14°F to 150°F (-10°C to 65.5°C)
Standard filtration:	1.0 and 0.01 micron
Adsorber	Max. oil carryover (ppm w/w) 0.003 @ 70°F (21°C)
Flow capacity*:	
1.0 micron coalescing	12 scfm (5.5 dm³/s, ANR)
0.01 micron coalescing	7.5 scfm (3.6 dm³/s, ANR)
Activated carbon adsorber	12.7 scfm (6 dm³/s, ANR)
Useful retention†:	0.4 US oz. (12 cm³)
Weight:	0.24 lb (0.11 kg)

* Inlet pressure 91.3 psig (6.3 bar). Pressure drop 3 psig (0.2 bar), saturated element.
† Useful retention refers to volume below the quiet zone baffle.

Port Size	Description	Element	Part Number
1/4"	Poly Bowl, Manual Drain	0.01 micron	P31FB92GMN
1/4"	Poly Bowl, Pulse Drain	0.01 micron	P31FB92CGBN
1/4"	Metal Bowl, Manual Drain	0.01 micron	P31FB92CMMN
1/4"	Metal Bowl, Pulse Drain	0.01 micron	P31FB92CMBN

Ordering Information:

P31FB 9 2 C G M N

Basic Series Global Modular Mini Coalescing Filter	Thread Type BSPP 1 BSPT 2 NPT 9	Port Size 1/4 2	Element 0.01µ Element C 1µ Element 9 Adsorber A	Mounting N No Bracket	Drain Type B Pulse Drain M Manual Drain X Flex Drain	Bowl Type G Poly Bowl With Bowl Guard M Metal Bowl Without Sight Gauge
--	---	---------------------------	---	---------------------------------	--	---

☐ Most popular.



For inventory, lead times, and kit lookup, visit www.pdnplu.com

Mini Coalescing and Adsorber Filters

Material Specifications

Body	Aluminum
Body cap	ABS
Plastic bowl	Polycarbonate
Metal bowl	Aluminum
Filter element	Borosilicate cloth
Adsorber element	Activated carbon
Seals	Nitrile

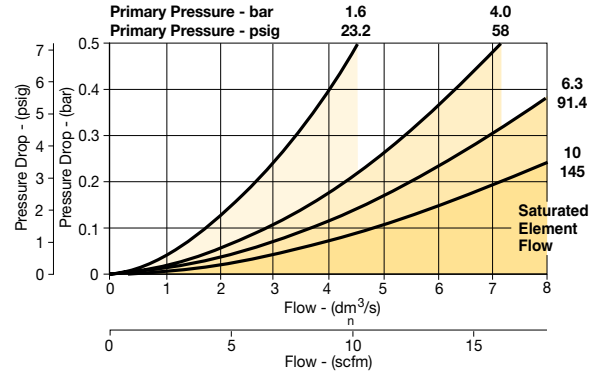
Repair and Service Kits

Plastic bowl / bowl guard, manual drain	P31KB00BGM
Metal bowl / w/o sight gauge, manual drain	P31KB00BMM
Plastic bowl / bowl guard, pulse drain	P31KB00BGB
Metal bowl / w/o sight gauge, pulse drain	P31KB00BMB
1 μ coalescing filter element	P31KA00ES9
0.01 μ coalescing filter element	P31KA00ESC
Activated carbon adsorber filter element	P31KA00ESA
C-bracket (fits to body)	P31KA00MW
T-bracket with body connector	P31KA00MT
Body connector	P31KA00CB

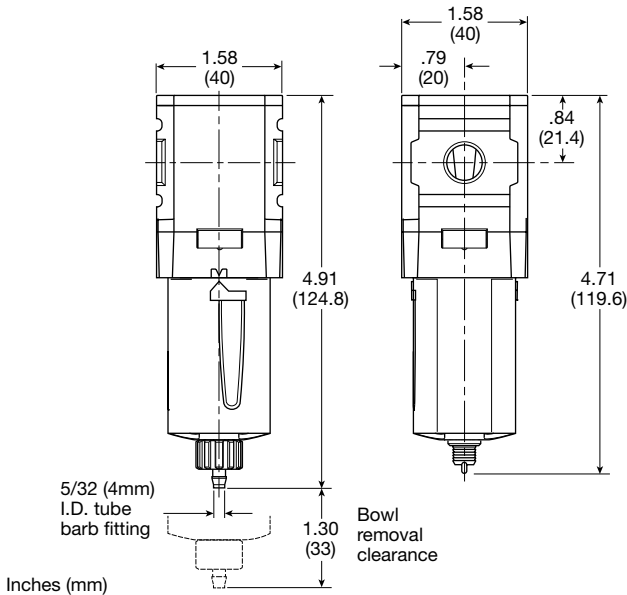
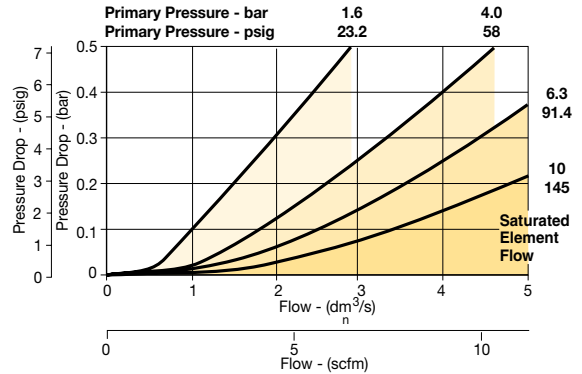
Air Preparation Products Miniature / Inline

Flow Charts

P31 - 1.0 micron flow Coalescing Filter



P31 - 0.01 micron flow Coalescing Filter



Manual Drain

Pulse Drain

Filters

Coalescers

Regulators

Filter / Regulators

Lubricators



Miniature / Inline Products

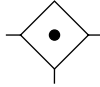


10F Coalescing Filters - Miniature

- Removes liquid aerosols and sub-micron particles.
- Liquids gravitate to the bottom of the element and will not re-enter the airstream.
- Oil free air for critical applications, such as air gauging and pneumatic instrumentation and controls.
- Interchangeable twist and automatic pulse drains.
- Grade 6 element, 99.97% DOP efficiency
- 1/8", 1/4" ports (NPT, BSPP, BSPT)

Note: To optimize the life of coalescing element, it is advisable to install a pre-filter with a 5 micron element upstream of the coalescing filter.

To optimize the life of an adsorber it is advisable to install a coalescing filter upstream of the adsorber. Adsorber element should be replaced approximately every 1000 hours of service.



Operating information

Supply pressure (max):
 Plastic bowl 0 to 150 psig (0 to 10.3 bar)
 Metal bowl 0 to 250 psig (0 to 17.2 bar)
 Auto pulse drain 10 to 250 psig (0.7 to 17.2 bar)

Operating pressure drop:
 Normal 2 psig (0.14 bar)
 Max recommended 10 psig (0.7 bar)
 (Element should be replaced)

Operating temperature:
 Plastic bowl 32°F to 125°F (0°C to 52°C)
 Metal bowl 32°F to 175°F (0°C to 80°C)
 Auto pulse drain 125°F (52°C) or less

Flow capacity†:
 Grade 6 1/8" 17 scfm (8 dm³/s, ANR)
 1/4" 20 scfm (9.4 dm³/s, ANR)
 Grade 10 1/8" 19 scfm (9 dm³/s, ANR)
 1/4" 24 scfm (11.3 dm³/s, ANR)

Bowl capacity: 1 oz.
 Auto pulse drain tube barb 1/8 inch
 Weight: 0.41 lb (0.18 kg)

† scfm = Standard cubic feet per minute at 90 psig inlet and 5 psig pressure drop.

Port Size	Description †	Part Number
1/8"	Poly Bowl, Twist Drain	10F01ED
1/8"	Metal Bowl, Twist Drain	10F03ED
1/8"	Poly Bowl, Auto Pulse Drain	10F05ED
1/8"	Metal Bowl, Auto Pulse Drain	10F07ED
1/4"	Poly Bowl, Twist Drain	10F11ED
1/4"	Metal Bowl, Twist Drain	10F15ED
1/4"	Poly Bowl, Auto Pulse Drain	10F13ED
1/4"	Metal Bowl, Auto Pulse Drain	10F17ED

Standard part numbers shown bold, with Grade 6 Elements (for Grade 10 Elements, replace "E" with "H" in the 6th position). For other models refer to ordering information below.

† For polycarbonate bowl, see caution in Engineering Section A.

Ordering information:

10F
1
1
E
D

<table border="1" style="width: 100%; border-collapse: collapse;"> <thead> <tr><th style="background-color: #333; color: white;">Port Size</th></tr> </thead> <tbody> <tr><td>1/8 inch</td><td style="text-align: center;">0</td></tr> <tr><td>1/4 inch</td><td style="text-align: center;">1</td></tr> </tbody> </table> <table border="1" style="width: 100%; border-collapse: collapse;"> <thead> <tr><th style="background-color: #333; color: white;">Bowl Options</th></tr> </thead> <tbody> <tr><td>Poly Bowl, Twist Drain</td><td style="text-align: center;">1</td></tr> <tr><td>Poly Bowl, Auto Pulse Drain</td><td style="text-align: center;">5</td></tr> <tr><td>Metal Bowl, Twist Drain</td><td style="text-align: center;">3</td></tr> <tr><td>Metal Bowl, Auto Pulse Drain</td><td style="text-align: center;">7</td></tr> </tbody> </table>	Port Size	1/8 inch	0	1/4 inch	1	Bowl Options	Poly Bowl, Twist Drain	1	Poly Bowl, Auto Pulse Drain	5	Metal Bowl, Twist Drain	3	Metal Bowl, Auto Pulse Drain	7	<table border="1" style="width: 100%; border-collapse: collapse;"> <thead> <tr><th style="background-color: #333; color: white;">Port Type</th></tr> </thead> <tbody> <tr><td>Blank</td><td style="text-align: center;">NPT</td></tr> <tr><td>1</td><td style="text-align: center;">BSPP</td></tr> <tr><td>2</td><td style="text-align: center;">BSPT</td></tr> </tbody> </table> <table border="1" style="width: 100%; border-collapse: collapse;"> <thead> <tr><th style="background-color: #333; color: white;">Engineering Level</th></tr> </thead> <tbody> <tr><td>D</td><td style="text-align: center;">Current</td></tr> </tbody> </table> <table border="1" style="width: 100%; border-collapse: collapse;"> <thead> <tr><th style="background-color: #333; color: white;">Element</th></tr> </thead> <tbody> <tr><td>E</td><td style="text-align: center;">Grade 6</td></tr> <tr><td>H</td><td style="text-align: center;">Grade 10</td></tr> </tbody> </table>	Port Type	Blank	NPT	1	BSPP	2	BSPT	Engineering Level	D	Current	Element	E	Grade 6	H	Grade 10	
Port Size																															
1/8 inch	0																														
1/4 inch	1																														
Bowl Options																															
Poly Bowl, Twist Drain	1																														
Poly Bowl, Auto Pulse Drain	5																														
Metal Bowl, Twist Drain	3																														
Metal Bowl, Auto Pulse Drain	7																														
Port Type																															
Blank	NPT																														
1	BSPP																														
2	BSPT																														
Engineering Level																															
D	Current																														
Element																															
E	Grade 6																														
H	Grade 10																														

 Most popular.



For inventory, lead times, and kit lookup, visit www.pdnplu.com

Miniature Coalescing Filters

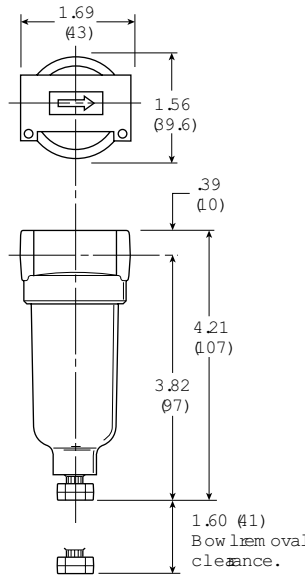
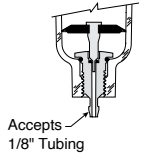
Material Specifications

Body	Zinc
Transparent bowl	Polycarbonate
Metal bowl without sight gauge	Zinc
Twist drain, body & stem	Plastic
Twist drain, seals	Nitrile
Auto pulse drain, piston & seals	Nitrile
Auto pulse drain, stem, seat, adaptor & washers	Aluminum
Element holder	Plastic
Element	Borosilicate & felt glass fibers
Seals	Nitrile

Repair and Service Kits

Poly bowl / auto pulse drain kit	PS408BP
Poly bowl / twist drain kit	PS404P
Metal bowl / auto pulse drain kit	PS451BP
Metal bowl / twist drain kit	PS447BP
Grade 6 element (standard)	PS446P
Grade 10 element (optional)	PS456P
Mounting bracket kit	PS417BP

Automatic Pulse Drain



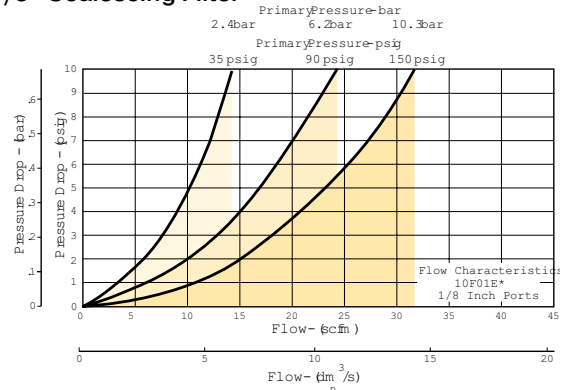
Inches (mm)

Air Preparation Products Miniature / Inline

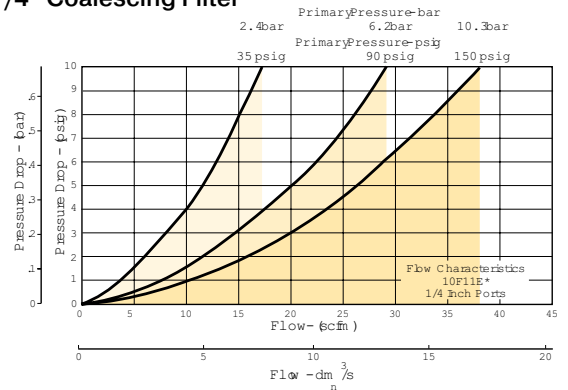
Flow Charts

Grade 6 Element

10F 1/8" Coalescing Filter

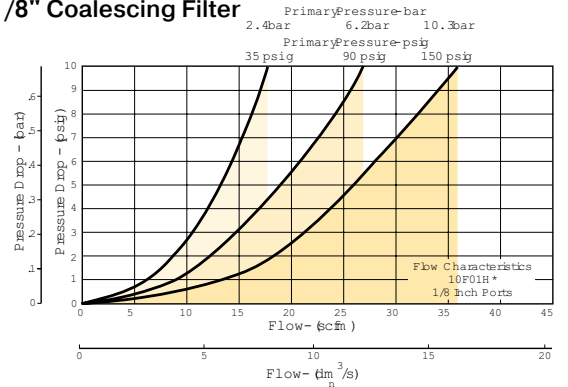


10F 1/4" Coalescing Filter

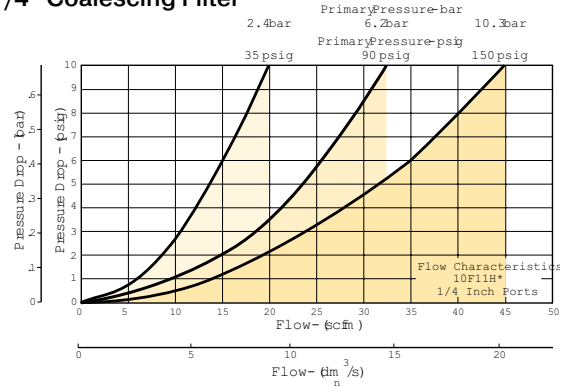


Grade 10 Element

10F 1/8" Coalescing Filter



10F 1/4" Coalescing Filter



Filters

Coalescers

Regulators

Filter /
Regulators

Lubricators

Miniature / Inline
Products



For inventory, lead times, and kit lookup, visit www.pdnplu.com

15F Coalescing Filters - Economy

- Removes liquid aerosols and sub-micron particles.
- Liquids gravitate to the bottom of the element and will not re-enter the airstream.
- Oil free air for critical applications, such as air gauging and pneumatic instrumentation and controls.
- Interchangeable twist and automatic pulse drains.
- Differential pressure indicator standard.
- 1/4" & 3/8" ports – NPT

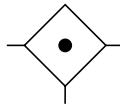
Note: To optimize the life of coalescing element, it is advisable to install a pre-filter with a 5 micron element upstream of the coalescing filter.

To optimize the life of an adsorber it is advisable to install a coalescing filter upstream of the adsorber. Adsorber element should be replaced approximately every 1000 hours of service.



Operating information

Supply pressure (max):	
Without DPI	
Plastic bowl	0 to 150 psig (0 to 10.3 bar)
Metal bowl	0 to 250 psig (0 to 17.2 bar)
With DPI	
Auto pulse drain	0 to 150 psig (0 to 10.3 bar) 10 to 150 psig (0.7 to 10.3 bar)
Operating temperature:	
Plastic bowl	32°F to 125°F (0°C to 52°C)
Metal bowl	32°F to 175°F (0°C to 80°C)
With DPI	32°F to 125°F (0°C to 52°C)
Flow capacity [†] :	Grade 6
1/8"	30 scfm (14.2 dm ³ /s, ANR)
1/4"	30 scfm (14.2 dm ³ /s, ANR)
Bowl capacity:	2.0 oz.
Sump capacity:	0.9 oz.
Weight:	1.2 lb (0.54 kg)
[†] scfm = Standard cubic feet per minute at 90 psig inlet and 5 psig pressure drop. DPI = Differential pressure indicator	



Port Size	Description *	Part Number
1/4"	Poly Bowl, Metal Guard, Twist Drain	15F12EA
1/4"	Poly Bowl, Metal Guard, Auto Pulse Drain	15F1PEA
3/8"	Poly Bowl, Metal Guard, Twist Drain	15F22EA
3/8"	Poly Bowl, Metal Guard, Auto Pulse Drain	15F2PEA

* For polycarbonate bowl, see caution in Engineering Section A.

Ordering Information:

Most popular.



For inventory, lead times, and kit lookup, visit www.pdnplu.com

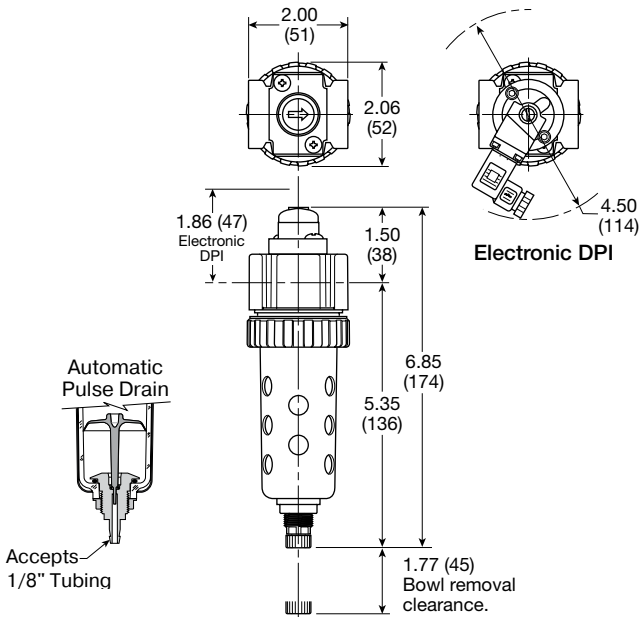
Economy Coalescing Filters

Material Specifications

Body	Zinc
Transparent bowl	Polycarbonate
Metal bowl without sight gauge	Zinc
Bowl guards	Steel
Collar	Plastic
Drain	Plastic
Element	Borosilicate & felt glass fibers
Seals	Nitrile
Sight gauge, DPI	Polyamide (nylon)

Repair and Service Kits

Bowl Guard Kit	PS905P
Poly bowl / automatic pulse drain kit	PS995P
Poly bowl / twist drain kit	PS932P
DPI replacement kit	PS781P
Electronic DPI replacement kit	PS764
Automatic pulse drain kit	PS998P
Twist drain kit	PS512P
Electrical connector: 15mm, 3-pin DIN, 6 ft. cord	PS2932JBP
Filter element kits – Grade 6 (standard)	PS924P
Mounting bracket kit	PS943P
Sight gauge kit	PS914P



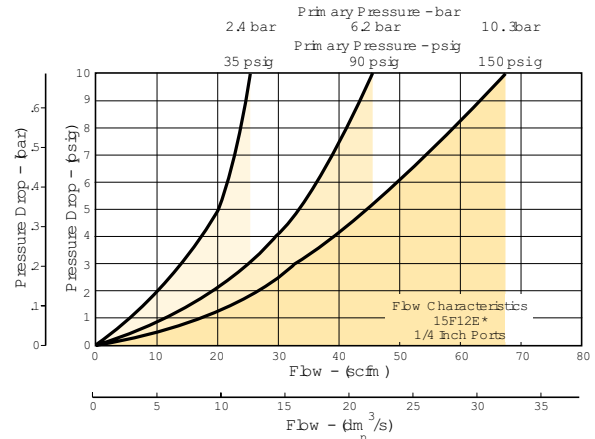
Inches (mm)

Air Preparation Products Miniature / Inline

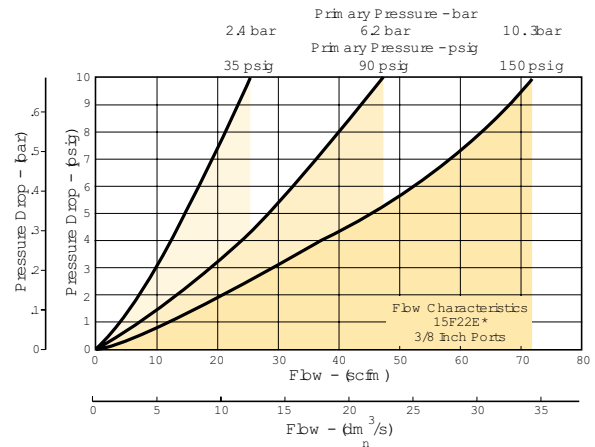
Flow Charts

Grade 6 Element

15F 1/4" Coalescing Filter



15F 3/8" Coalescing Filter



Filters

Coalescers

Regulators

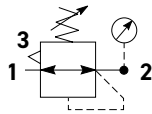
Filter /
Regulators

Lubricators

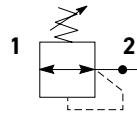
Miniature / Inline
Products

P31 Regulators - Mini

- Integral 1/4" ports (NPT, BSPP & BSPT)
- Robust but lightweight aluminum construction
- Secondary pressure ranges
- Secondary aspiration plus balanced poppet provides quick response and accurate pressure regulation.
- Relieving & non-relieving types
- Non-rising knob



Self relieving regulator with gauge



Non-relieving regulator

Port Size	Description (Relieving)	Gauge	Part Number
1/4"	125 psig (8 bar)	Square	P31RB92BN5P

Operating information

Flow capacity*:	1/4	73 scfm (34 dm ³ /s, ANR)
Operating temperature†:		-4°F to 150°F (-20°C to 65.5°C)
Supply pressure (max):		300 psig (20 bar)
Adjusting range pressure:		30 psig (0-2 bar)
		60 psig (0-4 bar)
		125 psig (0-8 bar)
		232 psig (0-16 bar)
Weight:		0.37 lb (0.17 kg)

* Inlet pressure 145 psig (10 bar). Secondary pressure 100 psig (6.9 bar) and 14.5 psig (1 bar) pressure drop.

† Units with square gauges: 5°F to 150°F (-15°C to 65.5°C)

Gauge supplied with every part. Gauge can be installed on the front or back of the regulator. If no gauge is installed, both seal screws must be installed.

Ordering Information:

P31RB 9 2 B N 5 P

Basic Series Global Modular Mini Regulator P31RB	Thread Type BSPP 1 BSPT 2 NPT 9	Port Size 1/4 2	Relief Relieving B Non-Relieving N Reverse Flow - Relieving R	Mounting P Plastic Panel Mount Nut	Adjustment Range With Square Gauge															
					<table border="1"> <thead> <tr> <th>psig</th> <th>Bar</th> <th>MPa</th> </tr> </thead> <tbody> <tr> <td>1 = 30*</td> <td>V = 2*</td> <td>2 = 0.2*</td> </tr> <tr> <td>3 = 60</td> <td>S = 4</td> <td>4 = 0.4</td> </tr> <tr> <td>5 = 125</td> <td>T = 8</td> <td>6 = 0.8</td> </tr> <tr> <td>7 = 232</td> <td>W = 16</td> <td>8 = 1.6</td> </tr> </tbody> </table>	psig	Bar	MPa	1 = 30*	V = 2*	2 = 0.2*	3 = 60	S = 4	4 = 0.4	5 = 125	T = 8	6 = 0.8	7 = 232	W = 16	8 = 1.6
psig	Bar	MPa																		
1 = 30*	V = 2*	2 = 0.2*																		
3 = 60	S = 4	4 = 0.4																		
5 = 125	T = 8	6 = 0.8																		
7 = 232	W = 16	8 = 1.6																		
			Adjustment N Non-Rising Knob																	

* Regulator comes with gauge respective to the adjustment range available.

☐ Most popular.



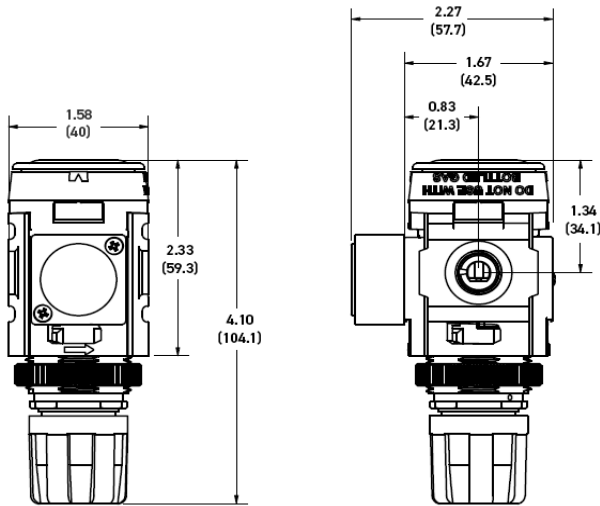
For inventory, lead times, and kit lookup, visit www.pdnplu.com

Material Specifications

Body	Aluminum
Adjustment knob	Acetal
Bonnet	Glass-filled nylon
Diaphragm assembly	Stainless steel / Nitrile
Valve assembly	Acetal/ Nitrile
Springs	Steel
Seals	Nitrile
Panel nut	Acetal
Bottom Cap	Glass-filled nylon

Repair and Service Kits

Panel mount nut - aluminum	P31KA00MM
Panel mount nut - plastic	P31KA00MP
Angle bracket (attaches via panel nut)	P31KB00MR
C-bracket (fits to body)	P31KA00MW
T-bracket with body connector	P31KA00MT
Body connector	P31KA00CB



NOTE: 1.20 in. (30mm) hole required for panel nut mounting.

⚠ WARNING

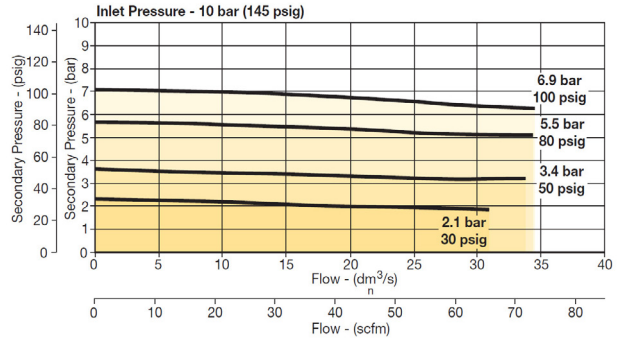
**Product rupture can cause serious injury.
 Do not connect regulator to bottled gas.
 Do not exceed Maximum primary pressure rating.**

CAUTION:

REGULATOR PRESSURE ADJUSTMENT – The working range of knob adjustment is designed to permit outlet pressures within their full range. Pressure adjustment beyond this range is also possible because the knob is not a limiting device. This is a common characteristic of most industrial regulators, and limiting devices may be obtained only by special design. For best performance, regulated pressure should always be set by increasing the pressure up to the desired setting.

Flow Charts

P31RB 1/4" Regulator



Gauges (*see note below)

Square flush mount gauge	0-060 psig	P31KA060XB
	0-160 psig	P31KA160XB
	0-290 psig	P31KA290XB
	0-4 bar	P31KA04BXB
	0-11 bar	P31KA11BXB
	0-20 bar	P31KA20BXB
	0-0.4 MPa	P31KA04MXB
Square flush mount gauge	0-1.1 MPa	P31KA11MXB
	0-2.0 MPa	P31KA20MXB
	0-4 bar	K4511SCR04B
	0-11 bar	K4511SCR11B
Square with adapter kit	0-60 psig	K4511SCR060
	0-160 psig	K4511SCR160
	0-4 bar	P6G-PR10040
	0-11 bar	P6G-PR10110
1.00" Round 1/8" center back mount	0-60 psig / 1-4 bar	K4510N18060
	0-160 psig / 0-11 bar	K4510N18160
	0-30 psig / 0-2 bar	K4515N18030
40mm Round 1/8" center back mount (not for use with common port regulators)	0-60 psig / 0-4 bar	K4515N18060
	0-160 psig / 0-11 bar	K4515N18160

For best performance, regulated pressure should always be set by increasing the pressure up to the desired setting.

***For P31 Regulators with date code after November 2023 (4423 Date Code), please use these part numbers when ordering a replacement gauge.**

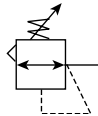
Filters
Coalescers
Regulators
Filter / Regulators
Lubricators
Miniature / Inline Products



For inventory, lead times, and kit lookup, visit www.pdnplu.com

14R Regulators - Miniature

- Unbalanced poppet standard
- Solid control piston with lip seal for extended life
- Non-rising adjusting knob
- Compact design
- Very easy to service
- 1/8", 1/4" ports (NPT, BSPP, BSPT)



Port Size	Description	Part Number
1/8"	Without Gauge	14R013FC
1/8"	With Gauge	14R018FC
1/4"	Without Gauge	14R113FC
1/4"	With Gauge	14R118FC

NOTE: 1.218 Dia. (31 mm) hole required for panel mounting.

Operating information

Supply pressure (max):	0 to 300 psig (0 to 20.7 bar)	
Secondary pressure ranges		
Standard	2 to 125 psig (0 to 8.6 bar)	
Medium	1 to 60 psig (0 to 4.1 bar)	
Medium	1 to 30 psig (0 to 2.1 bar)	
Low	1 to 15 psig (0 to 1 bar)	
Operating temperature:	32°F to 125°F (0°C to 52°C)	
Low temperature	-4°F to 125°F (-20°C to 52°C)	
Flow capacity†:		
High flow	1/8"	13 scfm (6.1 dm³/s, ANR)
	1/4"	15 scfm (7.1 dm³/s, ANR)
Gauge ports (2):	1/8 or 1/4 inch	
Weight:	0.3 lb (0.14 kg)	

† scfm = Standard cubic feet per minute at 100 psig inlet, 90 psig no flow secondary setting and 10 psig pressure drop.

Ordering Information:

14R
1
13
F
C

<table border="1" style="width: 100%; border-collapse: collapse;"> <thead> <tr> <th colspan="2">Port Size</th> </tr> </thead> <tbody> <tr> <td>1/8 Inch Pipe, 1/8 Inch Gauge Port</td> <td style="text-align: center;">0</td> </tr> <tr> <td>1/4 Inch Pipe, 1/8 Inch Gauge Port</td> <td style="text-align: center;">1</td> </tr> <tr> <td>1/4 Inch Pipe, 1/4 Inch Gauge Port</td> <td style="text-align: center;">B</td> </tr> <tr> <td>1/8 Inch Pipe, No Gauge Port</td> <td style="text-align: center;">C</td> </tr> <tr> <td>Manifold Mounting</td> <td style="text-align: center;">M</td> </tr> </tbody> </table>	Port Size		1/8 Inch Pipe, 1/8 Inch Gauge Port	0	1/4 Inch Pipe, 1/8 Inch Gauge Port	1	1/4 Inch Pipe, 1/4 Inch Gauge Port	B	1/8 Inch Pipe, No Gauge Port	C	Manifold Mounting	M	<table border="1" style="width: 100%; border-collapse: collapse;"> <thead> <tr> <th colspan="2">Port Type</th> </tr> </thead> <tbody> <tr> <td>Blank</td> <td style="text-align: center;">NPT</td> </tr> <tr> <td>1</td> <td style="text-align: center;">BSPP</td> </tr> <tr> <td>2</td> <td style="text-align: center;">BSPT</td> </tr> </tbody> </table> <table border="1" style="width: 100%; border-collapse: collapse;"> <thead> <tr> <th colspan="2">Engineering Level</th> </tr> </thead> <tbody> <tr> <td>C</td> <td style="text-align: center;">Current</td> </tr> </tbody> </table>	Port Type		Blank	NPT	1	BSPP	2	BSPT	Engineering Level		C	Current	<table border="1" style="width: 100%; border-collapse: collapse;"> <thead> <tr> <th colspan="2">Preset / Pressure Limited</th> </tr> </thead> <tbody> <tr> <td>Blank</td> <td style="text-align: center;">None</td> </tr> <tr> <td>XXX*</td> <td style="text-align: center;">Preset Pressure</td> </tr> <tr> <td>XXX*</td> <td style="text-align: center;">Pressure Limited</td> </tr> </tbody> </table> <p style="font-size: small;">* Available preset / pressure limited range, 10 to 90 psig in 5 psig increments. For higher pressures, contact factory. (Example: 065 = 65 psig)</p>	Preset / Pressure Limited		Blank	None	XXX*	Preset Pressure	XXX*	Pressure Limited																																						
Port Size																																																																								
1/8 Inch Pipe, 1/8 Inch Gauge Port	0																																																																							
1/4 Inch Pipe, 1/8 Inch Gauge Port	1																																																																							
1/4 Inch Pipe, 1/4 Inch Gauge Port	B																																																																							
1/8 Inch Pipe, No Gauge Port	C																																																																							
Manifold Mounting	M																																																																							
Port Type																																																																								
Blank	NPT																																																																							
1	BSPP																																																																							
2	BSPT																																																																							
Engineering Level																																																																								
C	Current																																																																							
Preset / Pressure Limited																																																																								
Blank	None																																																																							
XXX*	Preset Pressure																																																																							
XXX*	Pressure Limited																																																																							
<table border="1" style="width: 100%; border-collapse: collapse;"> <thead> <tr> <th colspan="4">Pressure Range</th> </tr> <tr> <th colspan="2">Yellow Knob</th> <th colspan="2">Black Knob</th> </tr> </thead> <tbody> <tr> <td colspan="4">Without Gauge</td> </tr> <tr> <td>30 psig</td> <td style="text-align: center;">10</td> <td>30 psig</td> <td style="text-align: center;">B0</td> </tr> <tr> <td>60 psig</td> <td style="text-align: center;">11</td> <td>60 psig</td> <td style="text-align: center;">B1</td> </tr> <tr> <td>15 psig</td> <td style="text-align: center;">12</td> <td>15 psig</td> <td style="text-align: center;">B2</td> </tr> <tr> <td>125 psig</td> <td style="text-align: center;">13</td> <td>125 psig</td> <td style="text-align: center;">B3</td> </tr> <tr> <td colspan="4">With Gauge*</td> </tr> <tr> <td>30 psig</td> <td style="text-align: center;">15</td> <td>30 psig</td> <td style="text-align: center;">B5</td> </tr> <tr> <td>60 psig</td> <td style="text-align: center;">16</td> <td>60 psig</td> <td style="text-align: center;">B6</td> </tr> <tr> <td>15 psig</td> <td style="text-align: center;">17</td> <td>15 psig</td> <td style="text-align: center;">B7</td> </tr> <tr> <td>125 psig</td> <td style="text-align: center;">18</td> <td>125 psig</td> <td style="text-align: center;">B8</td> </tr> </tbody> </table> <p style="font-size: x-small;">* Not available with BSPP or BSPT port types.</p>	Pressure Range				Yellow Knob		Black Knob		Without Gauge				30 psig	10	30 psig	B0	60 psig	11	60 psig	B1	15 psig	12	15 psig	B2	125 psig	13	125 psig	B3	With Gauge*				30 psig	15	30 psig	B5	60 psig	16	60 psig	B6	15 psig	17	15 psig	B7	125 psig	18	125 psig	B8	<table border="1" style="width: 100%; border-collapse: collapse;"> <thead> <tr> <th colspan="2">Relief</th> </tr> </thead> <tbody> <tr> <td>F</td> <td style="text-align: center;">Relieving</td> </tr> <tr> <td>G</td> <td style="text-align: center;">Non-Relieving</td> </tr> <tr> <td>H</td> <td style="text-align: center;">Low Temp. Relieving</td> </tr> <tr> <td>J</td> <td style="text-align: center;">Low Temp. Non-Relieving</td> </tr> </tbody> </table>	Relief		F	Relieving	G	Non-Relieving	H	Low Temp. Relieving	J	Low Temp. Non-Relieving	<table border="1" style="width: 100%; border-collapse: collapse;"> <thead> <tr> <th colspan="2">Options</th> </tr> </thead> <tbody> <tr> <td>Blank</td> <td style="text-align: center;">No Options</td> </tr> <tr> <td>L†</td> <td style="text-align: center;">Preset Non-Adjustable</td> </tr> <tr> <td>P†</td> <td style="text-align: center;">Preset Adjustable</td> </tr> <tr> <td>S†</td> <td style="text-align: center;">Pressure Limiter Max. Adjustable</td> </tr> <tr> <td>T†</td> <td style="text-align: center;">Pressure Limiter Max. Non-Adjustable</td> </tr> </tbody> </table> <p style="font-size: x-small;">† Inlet pressure is 100 psig. For other pressures contact factory.</p>	Options		Blank	No Options	L†	Preset Non-Adjustable	P†	Preset Adjustable	S†	Pressure Limiter Max. Adjustable	T†	Pressure Limiter Max. Non-Adjustable
Pressure Range																																																																								
Yellow Knob		Black Knob																																																																						
Without Gauge																																																																								
30 psig	10	30 psig	B0																																																																					
60 psig	11	60 psig	B1																																																																					
15 psig	12	15 psig	B2																																																																					
125 psig	13	125 psig	B3																																																																					
With Gauge*																																																																								
30 psig	15	30 psig	B5																																																																					
60 psig	16	60 psig	B6																																																																					
15 psig	17	15 psig	B7																																																																					
125 psig	18	125 psig	B8																																																																					
Relief																																																																								
F	Relieving																																																																							
G	Non-Relieving																																																																							
H	Low Temp. Relieving																																																																							
J	Low Temp. Non-Relieving																																																																							
Options																																																																								
Blank	No Options																																																																							
L†	Preset Non-Adjustable																																																																							
P†	Preset Adjustable																																																																							
S†	Pressure Limiter Max. Adjustable																																																																							
T†	Pressure Limiter Max. Non-Adjustable																																																																							

Spring Type by Preset / Limited Pressure:
 For Preset / Limited Pressure 10 to 25 use 30 psi spring
 For Preset / Limited Pressure 26 to 50 use 60 psi spring
 For Preset / Limited Pressure 51 to 90 use 125 psi spring

Most popular.



For inventory, lead times, and kit lookup, visit www.pdnplu.com

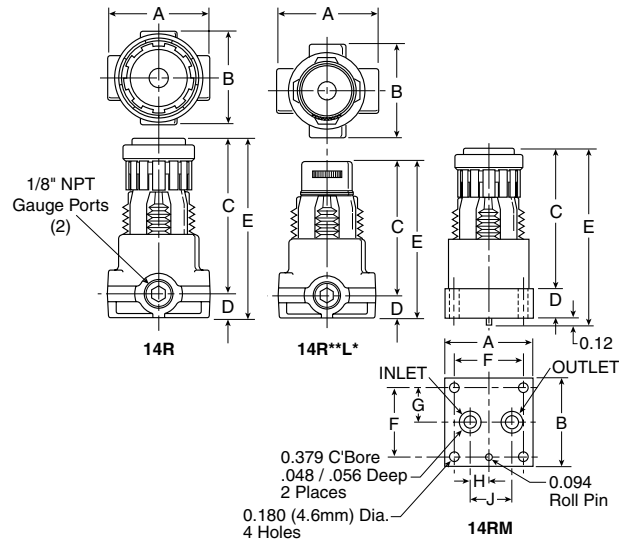
Material Specifications

Adjusting nut	Brass
Adjusting stem & spring	Steel
Body	Zinc
Bonnet, seat, piston & valve poppet	Plastic
Seals	Nitrile

Repair and Service Kits

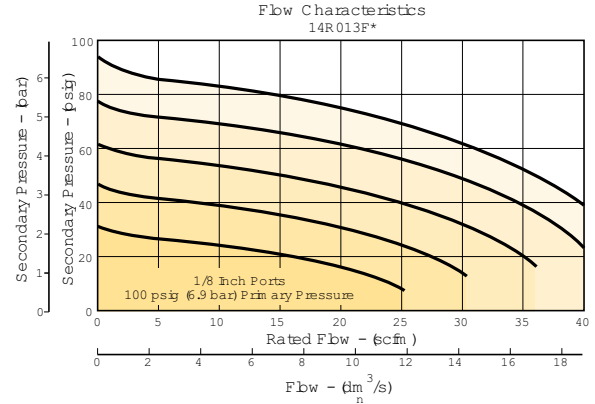
Bonnet assembly kit	L01369
Bonnet tamperproof kit	P01265
30 psig gauge, 1/8" NPT (0 to 2.1 bar)	K4515N18030
60 psig gauge, 1/8" NPT (0 to 4.1 bar)	K4515N18060
160 psig gauge, 1/8" NPT (0 to 11.0 bar)	K4515N18160
60 psig gauge, 1/4" NPT (0 to 4.1 bar)	K4520N14060
160 psig gauge, 1/4" NPT (0 to 11.0 bar)	K4520N14160
Mounting bracket kit* (includes panel mount nut)	PS417BP
Plastic panel mount nuts*	P78652
Metal panel mount nuts*	P01531
Unbalanced non-relieving, poppet / piston kit	PS428P
Unbalanced relieving, poppet / piston kit	PS426P
1- 15 psig spring (yellow)	P01176
1-30 psig spring (black)	P01175
1-60 psig spring (white)	P01174
2- 125 psig spring (gold)	P01173

* Tighten panel mount nut 2.8 to 3.4 Nm (25 to 30 in-lbs) of torque.

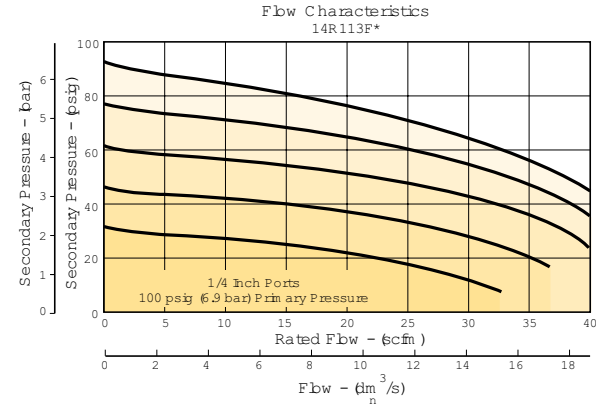


Flow Charts

14R 1/8" Regulators



14R 1/4" Regulators



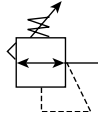
WARNING
 Product rupture can cause serious injury.
 Do not connect regulator to bottled gas.
 Do not exceed Maximum primary pressure rating.

CAUTION:
REGULATOR PRESSURE ADJUSTMENT – The working range of knob adjustment is designed to permit outlet pressures within their full range. Pressure adjustment beyond this range is also possible because the knob is not a limiting device. This is a common characteristic of most industrial regulators, and limiting devices may be obtained only by special design. For best performance, regulated pressure should always be set by increasing the pressure up to the desired setting.

Filters
Coalescers
Regulators
Filter / Regulators
Lubricators
Miniature / Inline Products

P3A-R Regulators - Miniature

- Lightweight plastic body
- Non-rising adjusting knob
- Solid control piston with lip seal for extended life
- Unbalanced poppet standard
- Two full flow 1/8" gauge ports
- Reverse flow capability
- 1/8", 1/4" ports (NPT)



Port Size	Description	Part Number
1/4"	Without Gauge	P3A-RN92YNNN

NOTE: 1.218 Dia. (31 mm) hole required for panel mounting.

Operating information

Supply pressure (max):	120 psig (8.3 bar)	
Secondary pressure:	15 psig spring 1 to 15 psig (0.07 to 1.0 bar)	
	30 psig spring 6 to 30 psig (0.4 to 2.1 bar)	
	60 psig spring 6 to 60 psig (0.4 to 4.1 bar)	
	110 psig spring 6 to 110 psig (0.4 to 7.6 bar)	
Operating temperature:	32°F to 125°F (0°C to 52°C)	
Flow capacity [†] :	1/8" 13 scfm (6.1 dm ³ /s, ANR)	
	1/4" 15 scfm (7.1 dm ³ /s, ANR)	
Gauge ports (2):	1/8 inch	
Weight:	0.3 lb (0.14 kg)	

[†] scfm = Standard cubic feet per minute at 100 psig inlet, 90 psig no flow secondary setting and 10 psig pressure drop.

Ordering Information:

P3A-RN 9 1 Y N N N

Port Type	Port Size	Relief	Pressure / Gauge	Option	Preset / Pressure Limited
NPT Female	1/8 inch	Non-Relieving, Black Knob	Without Gauge	N None	Blank None
	1/4 inch	Relieving, Black Knob	15 psig (0 to 1 bar)		XXX* Preset Pressure
		Non-Relieving, Yellow Knob	30 psig (0 to 2 bar)		XXX* Pressure Limited
		Relieving, Yellow Knob	60 psig (0 to 4 bar)		
			120 psig (0 to 8 bar)		
			With Gauge		
			15 psig (0 to 1 bar)		
			30 psig (0 to 2 bar)		
			60 psig (0 to 4 bar)		
			120 psig (0 to 8 bar)		

Options

N	No Options
L [†]	Preset Non-Adjustable
P [†]	Preset Adjustable
S [†]	Pressure Limiter Max. Adjustable
T [†]	Pressure Limiter Max. Non-Adjustable

[†] Inlet pressure is 100 psig. For other pressures contact factory.

* Available preset / pressure limited range, 10 to 90 psig in 5 psig increments. For higher pressures, contact factory.
 (Example: 065 = 65 psig)

Most popular.



For inventory, lead times, and kit lookup, visit www.pdnplu.com

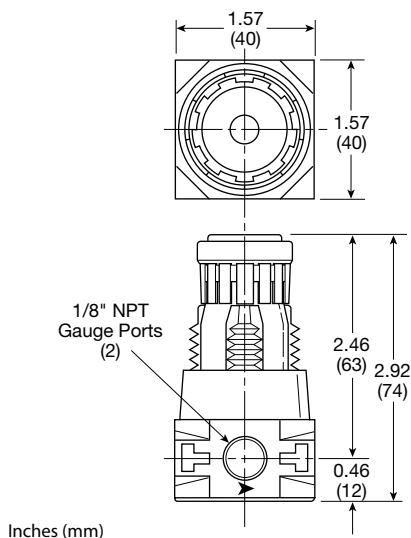
Material Specifications

Adjusting nut	Brass
Adjusting stem & spring	Steel
Poppet return spring	Stainless Steel
Body	Plastic
Bonnet, seat & piston	Plastic
Seals	Nitrile
Valve poppet	Plastic & nitrile

Repair and Service Kits

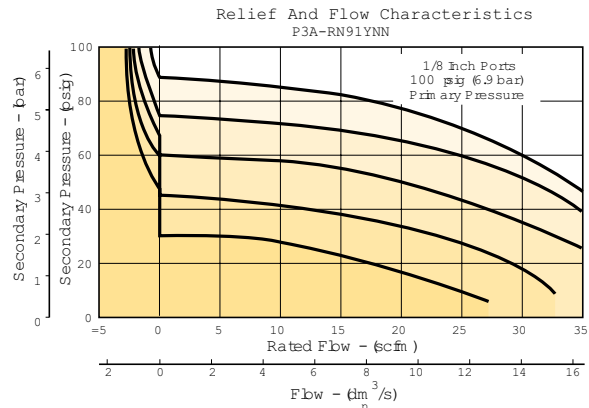
30 psig gauge, 1/8" NPT (0 to 2.1 bar)	K4515N18030
60 psig gauge, 1/8" NPT (0 to 4.1 bar)	K4515N18060
160 psig gauge, 1/8" NPT (0 to 11.0 bar)	K4515N18160
Mounting bracket kit* (includes panel mount nut)	PS417BP
Panel mount nut* P78652	
Unbalanced non-relieving, poppet / piston kit	PS428P
Unbalanced relieving, poppet / piston kit	PS426P
1- 15 psig Spring (yellow)	P01176
1-30 psig spring (black)	P01175
1-60 psig spring (white)	P01174
5- 110 psig spring (gold)	P01173

* Tighten panel mount nut 2.8 to 3.4 Nm (25 to 30 in-lbs) of torque.

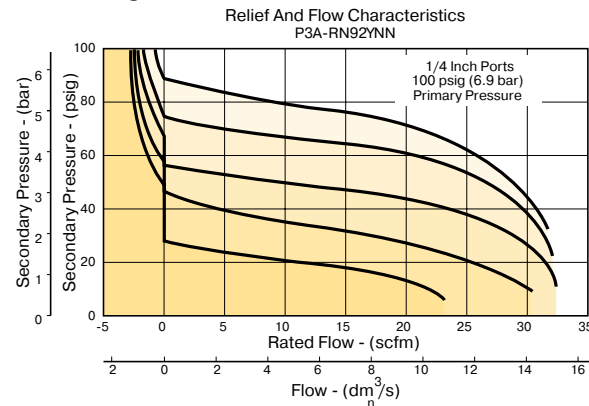


Flow Charts

P3A-R 1/8" Regulator



P3A-R 1/4" Regulator



WARNING

Product rupture can cause serious injury.
Do not connect regulator to bottled gas.
Do not exceed Maximum primary pressure rating.

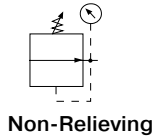
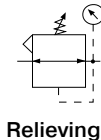
CAUTION:

REGULATOR PRESSURE ADJUSTMENT – The working range of knob adjustment is designed to permit outlet pressures within their full range. Pressure adjustment beyond this range is also possible because the knob is not a limiting device. This is a common characteristic of most industrial regulators, and limiting devices may be obtained only by special design. For best performance, regulated pressure should always be set by increasing the pressure up to the desired setting.

Filters
Coalescers
Regulators
Filter / Regulators
Lubricators
Miniature / Inline Products

R34 Regulators - Miniature

- Diaphragm operated for fast response
- Large diaphragm to valve area ratio for precise regulation and high flow capacity
- Balanced valve design for precise regulation
- Available in 2 or 4 port design
- Available with a manifold mount to minimize plumbing
- Suitable for low temperature applications
- Non-rising adjusting knob
- 1/8", 1/4" ports (NPT, BSPP)



R344-02C



R342-0MC

Port Size	Description	Part Number	
		Without Gauge	With Gauge
1/8"	Relieving, 0 to 30 psig	R344-01A	R344-01AG
1/8"	Relieving, 0 to 60 psig	R344-01B	R344-01BG
1/8"	Relieving, 0 to 125 psig	R344-01C	R344-01CG
1/4"	Relieving, 0 to 30 psig	R344-02A	R344-02AG
1/4"	Relieving, 0 to 60 psig	R344-02B	R344-02BG
1/4"	Relieving, 0 to 125 psig	R344-02C	R344-02CG
Manifold	Relieving, 0 to 30 psig	R342-0MA	-
Manifold	Relieving, 0 to 60 psig	R342-0MB	-
Manifold	Relieving, 0 to 125 psig	R342-0MC	-

Operating information

Supply pressure (max):	300 psig (0 to 20.7 bar)	
Operating temperature:	-40°F to 150°F (-40°C to 65.5°C)	
Flow capacity ¹ :		
High flow	1/8"	17 scfm (8.0 dm ³ /s, ANR)
	1/4"	19 scfm (8.9 dm ³ /s, ANR)
Gauge ports (2):	1/8 inch (no gauge port version available)	
Weight:	0.25 lb (0.11 kg)	

¹ scfm = Standard cubic feet per minute at 100 psig inlet, 90 psig no flow secondary setting and 10 psig pressure drop.

Ordering Information:

R34 4 - 02 C G

Number of Ports	
2 Ports	2
4 Ports	4*

* Not available with manifold mount.

Thread	
NPT	-
BSPP	G

Port	
1/8 inch	01
1/4 inch	02
Manifold Mount	0M

Pressure Range	
0 to 30 psi	A
0 to 60 psi	B
0 to 125 psi	C

Preset	
Blank	None
XXX*	Preset Pressure

* Available preset / pressure limited range, 10 to 90 psig in 5 psig increments. For higher pressures, contact factory.
(Example: 065 = 65 psig)

Options	
Blank	No Options
L†	Preset Non-Adjustable
M†	Preset Adjustable

† Inlet pressure is 100 psig. For other pressures contact factory.

Options	
Blank	No Option
G	Gauge
K	Non-Relieving Diaphragm
N	Unbalanced
P	Panel Mount Nut
X64	Fluorocarbon Elastomers

Most popular.



For inventory, lead times, and kit lookup, visit www.pdnplu.com

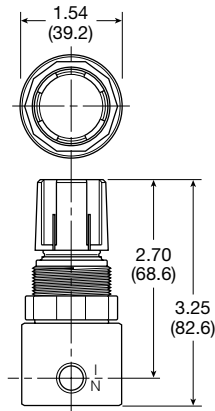
Material Specifications

Body	Aluminum
Bonnet	Acetal
Diaphragm & seals	Nitrile
Valve assembly	Brass
Springs	Steel
Panel Nut	Acetal

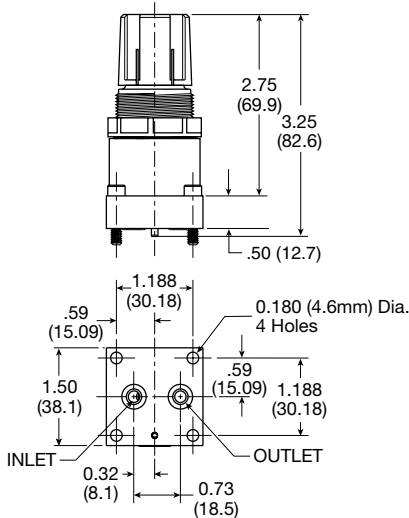
Repair and Service Kits

Diaphragm assembly, non-relieving	GRP-96-726
Diaphragm assembly, relieving	GRP-96-725
0 to 30 psig (0 to 2.1 bar), spring, regulating	GRP-95-111
0 to 60 psig (0 to 4.1 bar) spring, regulating	GRP-96-718
0 to 125 psig (0 to 8.6 bar) spring, regulating	GRP-96-717
Panel mount nut, aluminum	R05X51-A
Panel mount nut, plastic	R05X51-P
Mounting bracket kit (includes panel mount nut)	SA161X57
1-1/2" Dial Face, 1/8 NPT, CBM, 0 to 60 psig (0 to 4.1 bar), gauge	K4515N18060
1-1/2" Dial Face, 1/8 NPT, CBM, 0 to 160 psig (0 to 11.0 bar), gauge	K4515N18160
Tamperproof knob kit	P31KB00AT

R342 / R344



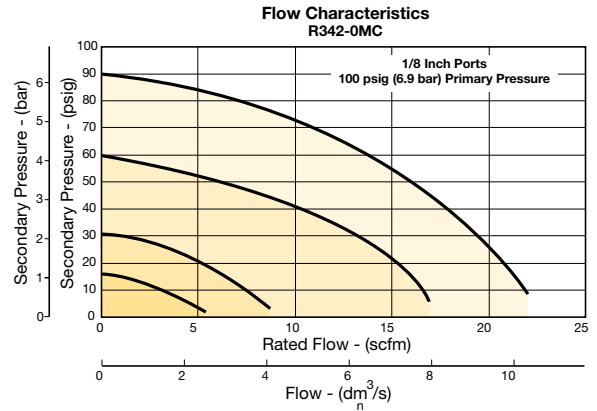
R342-OMC



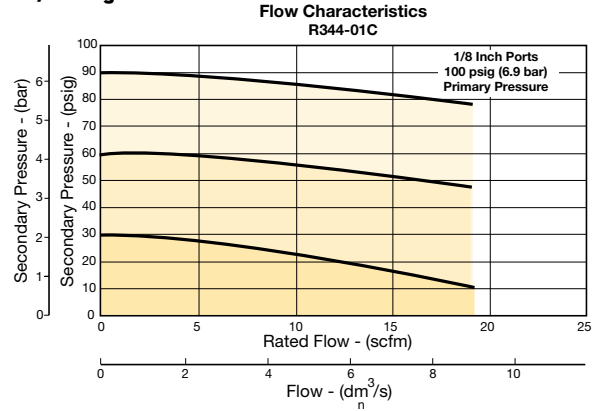
Inches (mm)

Flow Charts

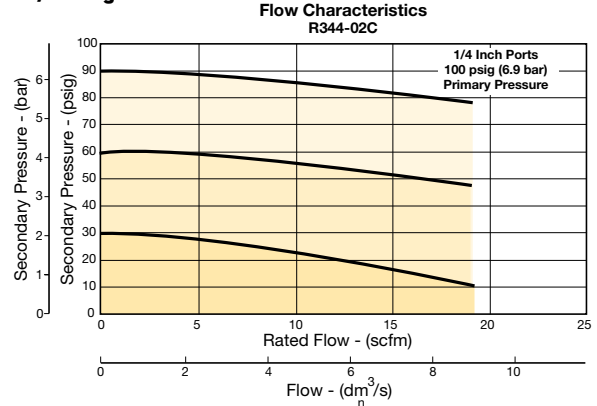
R34 1/8" Manifold Mount



R34 1/8" Regulator



R34 1/4" Regulator



⚠ WARNING

**Product rupture can cause serious injury.
 Do not connect regulator to bottled gas.
 Do not exceed Maximum primary pressure rating.**

CAUTION:

REGULATOR PRESSURE ADJUSTMENT – The working range of knob adjustment is designed to permit outlet pressures within their full range. Pressure adjustment beyond this range is also possible because the knob is not a limiting device. This is a common characteristic of most industrial regulators, and limiting devices may be obtained only by special design. For best performance, regulated pressure should always be set by increasing the pressure up to the desired setting.

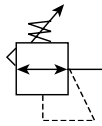


For inventory, lead times, and kit lookup, visit www.pdnplu.com

Filters
Coalescers
Regulators
Filter / Regulators
Lubricators
Miniature / Inline Products

R25 Regulators - Miniature

- Lightweight plastic body
- Unbalanced poppet standard
- Non-rising, push-to-lock adjusting knob
- Compact, 3.10 Inch (79 mm) high by 1.60 Inch (41 mm) wide
- Lightweight
- Diaphragm operated
- 1/8", 1/4" ports (NPT)



Operating information

Supply pressure (max):	Inlet 150 psig (10.0 bar)
Operating temperature:	40°F to 125°F (4°C to 52°C)
Gauge ports (2):	1/8 inch (can be used for full flow)
Weight:	0.25 lb (0.11 kg)

Port Size	Description	Part Number
1/8"	Relieving, 0- 125 Reduced Pressure, without Gauge	R25-01C
1/4"	Relieving, 0- 125 Reduced Pressure, without Gauge	R25-02C

NOTE: 1.250 Dia. (31.8 mm) hole required for panel mounting.

Ordering Information:

R25		-		02		C			
Type		Port Size		Pressure Range		Relief			
Buna Elastomers R25		1/8 inch 01		A 0 to 25 psig (0 to 2 bar)		Blank Relieving			
		1/4 inch 02		B 0 to 60 psig (0 to 4 bar)		P Panel Mount Nut			
				C 0 to 125 psig (0 to 125 (0 to 8 bar)					

Most popular.



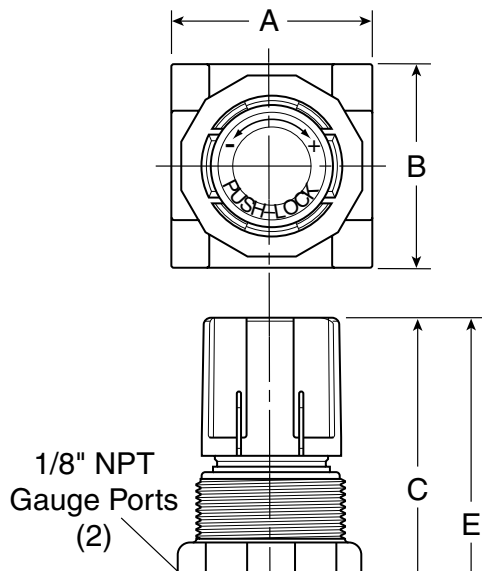
For inventory, lead times, and kit lookup, visit www.pdnplu.com

Material Specifications

Adjusting screw	Steel
Body	Acetal
Bonnet and seat	Acetal
Diaphragm	Buna N
Seals	Buna N
Springs	Stainless steel
Valve poppet	Buna N

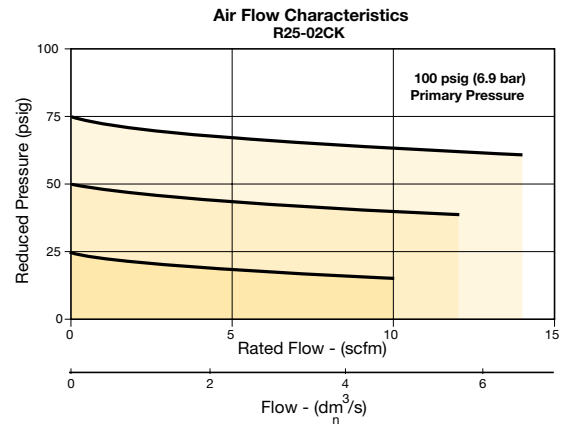
Repair and Service Kits

Panel mount nut, plastic	R05X51-P
Panel mount nut, aluminum	R05X51-A
Mounting bracket and nut	SA161X57
Relieving (Buna)	RKR25Y
Non-Relieving (Buna)	RKR25KY
0-25 psig spring	SPR-375-1
0-60 psig spring	SPR-376
0-125 psig spring	SPR-377



Flow Charts

R25 1/4" Regulator



WARNING
 Product rupture can cause serious injury.
 Do not connect regulator to bottled gas.
 Do not exceed Maximum primary pressure rating.

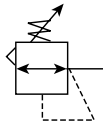
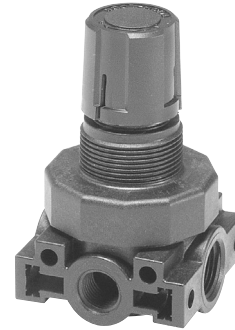
CAUTION:

REGULATOR PRESSURE ADJUSTMENT – The working range of knob adjustment is designed to permit outlet pressures within their full range. Pressure adjustment beyond this range is also possible because the knob is not a limiting device. This is a common characteristic of most industrial regulators, and limiting devices may be obtained only by special design. For best performance, regulated pressure should always be set by increasing the pressure up to the desired setting.

Filters
Coalescers
Regulators
Filter / Regulators
Lubricators
Miniature / Inline Products

R45 Regulators - Miniature

- Lightweight plastic body
- Unbalanced poppet standard
- Non-rising, push-to-lock adjusting knob
- Compact, 3.43 inch (87.1 mm) high by 2.06 inch (52.3 mm) wide
- Lightweight
- Diaphragm operated
- 1/4", 3/8" ports (NPT)



Operating information

Supply pressure (max):	Inlet 150 psig (10.0 bar)
Operating temperature:	40°F to 125°F (4°C to 52°C)
Gauge ports (2):	1/4 inch (can be used for full flow)
Weight:	0.38 lb (0.17 kg)

Port Size	Description	Part Number
1/4"	Relieving, 0-125 Reduced Pressure, without Gauge	R45-02C
3/8"	Relieving, 0-125 Reduced Pressure, without Gauge	R45-03C

NOTE: 1.250 Dia. (31.8 mm) hole required for panel mounting.

Ordering Information:

R45		-	02	C	
Type		Port Size		Pressure Range	
Buna Elastomers	R45	1/4 inch	02	A	0 to 25 psig (0 to 2 bar)
		3/8 inch	03	B	0 to 60 psig (0 to 4 bar)
				C	0 to 125 psig (0 to 8 bar)
Relief			Panel Mount Nut		
Blank			Relieving		
P			Panel Mount Nut		

Most popular.



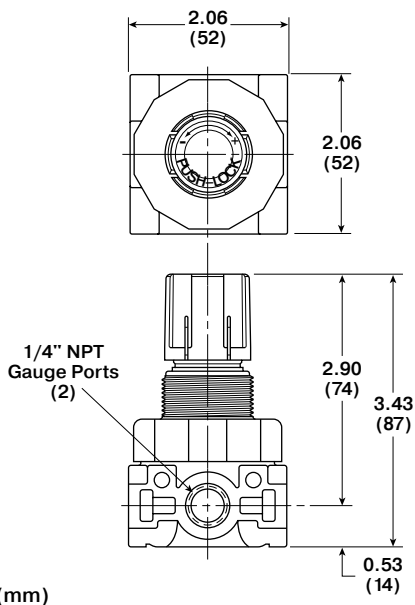
For inventory, lead times, and kit lookup, visit www.pdnplu.com

Material Specifications

Adjusting screw	Steel
Body	Acetal
Bonnet and seat	Acetal
Diaphragm	Buna N
Seals	Buna N
Springs	Stainless steel
Valve Poppet	Buna N

Repair and Service Kits

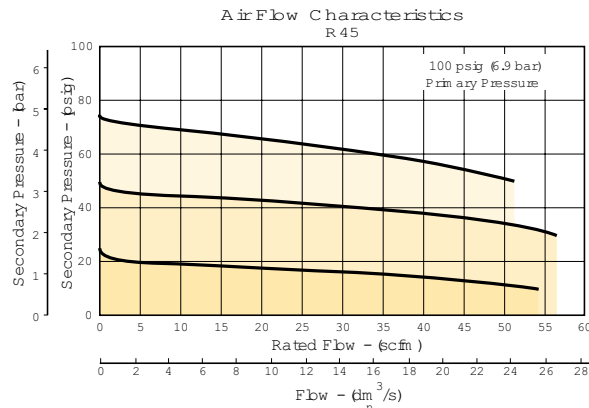
Panel mount nut, plastic	R05X51
Panel mount nut, aluminum	R05X51-A
Mounting bracket and nut	SA161X57
Relieving	RKR45Y
Non-Relieving	RKR45KY
0-25 psig spring	SPR-46
0-60 psig spring	SPR-47
0-125 psig spring	SPR-48



Inches (mm)

Flow Charts

R45 1/4" Regulator



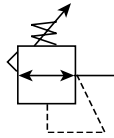
WARNING
 Product rupture can cause serious injury.
 Do not connect regulator to bottled gas.
 Do not exceed Maximum primary pressure rating.

CAUTION:

REGULATOR PRESSURE ADJUSTMENT – The working range of knob adjustment is designed to permit outlet pressures within their full range. Pressure adjustment beyond this range is also possible because the knob is not a limiting device. This is a common characteristic of most industrial regulators, and limiting devices may be obtained only by special design. For best performance, regulated pressure should always be set by increasing the pressure up to the desired setting.

15R Regulators - Economy

- Solid control piston with resilient seat for service-free operation
- Non-rising "locking" adjusting knob
- Compact, 3.30 inch (84 mm) high by 2.12 inch (54 mm) wide
- Easily serviced
- 1/4", 3/8" ports (NPT)



Port Size	Description	Part Number
1/4"	Without Gauge	15R113FB
1/4"	With Gauge	15R118FB
3/8"	Without Gauge	15R213FB
3/8"	With Gauge	15R218FB

NOTE: 1.218 Dia. (31 mm) hole required for panel mounting.

Operating information

Supply pressure (max):	0 to 250 psig (0 to 17.2 bar)	
Secondary pressure ranges	Standard	2 to 125 psig (0 to 8.6 bar)
	Medium	1 to 60 psig (0 to 4.1 bar)
	Medium	1 to 30 psig (0 to 1.7 bar)
	Low	1 to 15 psig (0 to 1 bar)
Operating temperature:	32°F to 125°F (0°C to 52°C)	
	Low temperature -4°F to 125°F (-20°C to 52°C)	
Flow capacity†:	High flow	21 scfm (9.9 dm³/s, ANR)
		28 scfm (13.2 dm³/s, ANR)
Gauge ports (2):	1/4 inch	
	(can be used at full flow)	
Weight:	0.5 lb (0.23 kg)	

† scfm = Standard cubic feet per minute at 100 psig inlet, 90 psig no flow secondary setting and 10 psig pressure drop.

Ordering Information:

15R	1	13	F	B
Port Size				Engineering Level
1/4 inch	1			B Current
3/8 inch	2			
		Pressure Range		Relief
		Without Gauge		F Relieving
		15 psig	12	G Non-Relieving
		30 psig	10	
		60 psig	11	
		125 psig	13	
		With Gauge		
		15 psig	17	
		30 psig	15	
		60 psig	16	
		125 psig	18	

Most popular.



For inventory, lead times, and kit lookup, visit www.pdnplu.com

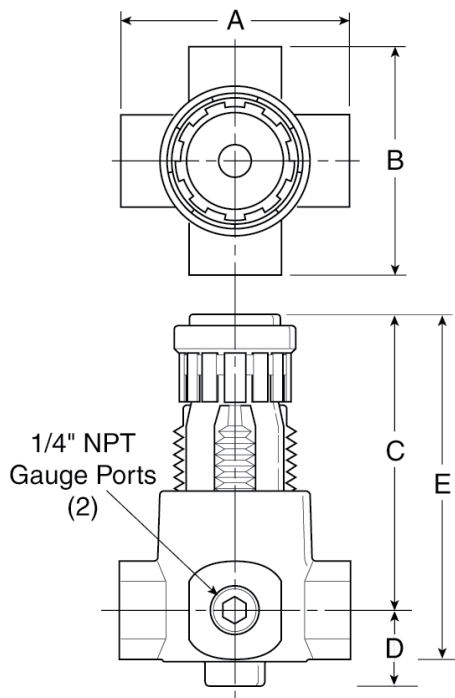
Material Specifications

Adjusting nut	Brass
Adjusting stem & spring	Steel
Body	Zinc
Bonnet, seat, piston & valve poppet	Plastic
Seals	Nitrile

Repair and Service Kits

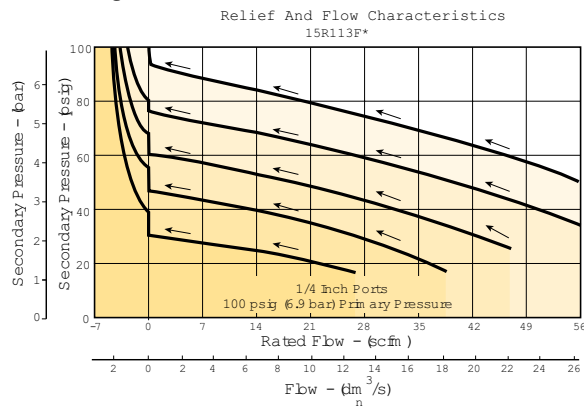
Body Service Kit – Unbalanced	PS424BP
Bonnet Assembly Kit	L01369
30 psig, 1/8" NPT (0 to 2.1 bar) gauge	K4515N18030
60 psig, 1/8" NPT (0 to 4.1 bar) gauge	K4515N18060
160 psig, 1/8" NPT (0 to 11.0 bar) gauge	K4515N18160
60 psig, 1/4" NPT (0 to 4.1 bar) gauge	K4520N14060
160 psig, 1/4" NPT (0 to 11.0 bar) gauge	K4520N14160
Mounting bracket kit* (Includes panel mount nut)	PS417BP
Panel mount nuts*, plastic	P78652
Panel mount nuts*, metal	P01531
Poppet / piston kit, unbalanced, non-relieving	PS428P
Poppet / piston kit, unbalanced, relieving	PS426P
Seal, unbalanced	PS454B
1- 15 psig spring (yellow)	P01176
1- 30 psig spring (black)	P01175
1- 60 psig spring (white)	P01174
2- 125 psig spring (gold)	P01173

* Tighten panel mount nut 2.8 to 3.4 Nm (25 to 30 in-lbs) of torque.

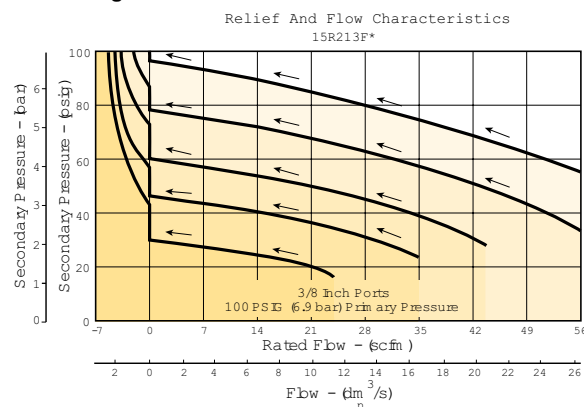


Flow Charts

15R 1/4" Regulator



15R 3/8" Regulator



WARNING
 Product rupture can cause serious injury.
 Do not connect regulator to bottled gas.
 Do not exceed Maximum primary pressure rating.

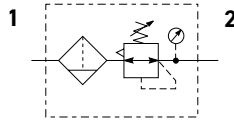
CAUTION:

REGULATOR PRESSURE ADJUSTMENT – The working range of knob adjustment is designed to permit outlet pressures within their full range. Pressure adjustment beyond this range is also possible because the knob is not a limiting device. This is a common characteristic of most industrial regulators, and limiting devices may be obtained only by special design. For best performance, regulated pressure should always be set by increasing the pressure up to the desired setting.

Filters
Coalescers
Regulators
Filter / Regulators
Lubricators
Miniature / Inline Products

P31 Filter / Regulators - Mini

- Integral 1/4" ports (NPT, BSPP & BSPT)
- High efficiency 5 micron element as standard
- Excellent water removal efficiency
- Robust but lightweight aluminum construction
- Positive bayonet latch to ensure correct & safe fitting
- Secondary pressure ranges
- Secondary aspiration plus balanced poppet provides quick response and accurate pressure regulation



Port Size	Description (Relieving)	Bowl / Drain Type †	Part Number
1/4"	125 psig (8 bar)	Poly / Manual	P31EB92EGMBN5P
1/4"	125 psig (8 bar)	Poly / Pulse	P31EB92EGBBN5P
1/4"	125 psig (8 bar)	Metal / Manual	P31EB92EMMBN5P
1/4"	125 psig (8 bar)	Metal / Pulse	P31EB92EMBBN5P

† For polycarbonate bowl, see caution in Engineering Section A.

Operating information

Flow capacity*:	1/4	73 scfm (35 dm ³ /s, ANR)
Operating temperature†:	Plastic bowl	14°F to 125°F (-10°C to 52°C)
	Metal bowl	14°F to 150°F (-10°C to 65.5°C)
Supply pressure (max):	Plastic bowl	150 psig (10 bar)
	Metal bowl	250 psig (17 bar)
Standard filtration		5 micron
Useful retention†:		0.4 US oz. (12 cm ³)
Adjusting range pressure:		0 to 30 psig (0 to 2 bar)
		0 to 60 psig (0 to 4 bar)
		0 to 125 psig (0 to 8 bar)
		0 to 250 psig (0 to 17 bar)
Weight:		0.42 lb (0.19 kg)

* Inlet pressure 145 psig (10 bar). Secondary pressure 100 psig (6.9 bar) and 14.5 psig (1 bar) pressure drop.

† Units with square gauges: 5°F to 150°F (-15°C to 65.5°C)

‡ Useful retention refers to volume below the quiet zone baffle.

Gauge supplied with every part. Gauge can be installed on the front or back of the regulator. If no gauge is installed, both seal screws must be installed.

Ordering Information:

Air quality: **Within ISO 8573-1: 1991 Class 3 (Particulates)**
Within ISO 8573-1: 2001 Class 6 (Particulates)

P31EB 9 2 E G M B N 5 P

Basic Series Global Modular Mini Filter / Regulator P31EB	Thread Type BSPP 1 BSPT 2 NPT 9	Element 5µ Element E	Port Size 1/4 2	Bowl Type Poly Bowl with Bowl Guard G Metal Bowl without Sight Gauge M	Drain Type Pulse Drain B Manual Drain M	Adjustment N Non-Rising Knob B Relieving N Non-Relieving	Mounting P Plastic Panel Mount Nut
---	---	--------------------------------	---------------------------	---	--	--	--

Adjustment Range		
With Square Gauge		
psig	Bar	MPa
1 = 30*	V = 2*	2 = 0.2*
3 = 60	S = 4	4 = 0.4
5 = 125	T = 8	6 = 0.8
7 [‡] = 232	W [‡] = 16	8 [‡] = 1.6

* Regulator comes with gauge respective to the adjustment range available.
 ‡ Not available with poly bowl with bowl guard.

Most popular.



For inventory, lead times, and kit lookup, visit www.pdnplu.com

J30

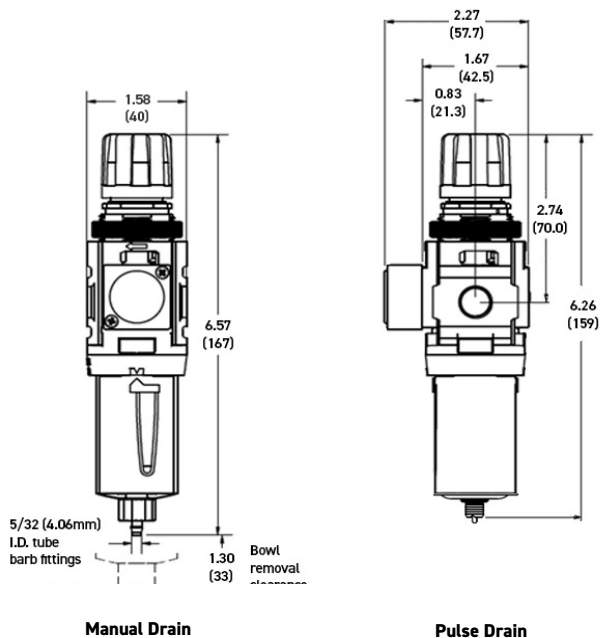
Parker Hannifin Corporation
 Pneumatic Division
 Richland, Michigan
www.parker.com/pneumatics

Material Specifications

Body	Aluminum
Adjustment knob	Acetal
Bonnet	Glass-filled nylon
Plastic bowl	Polycarbonate
Metal bowl	Aluminum
Bowl guard	Nylon
Filter element	Polyethylene
Seals	Nitrile
Springs	Steel
Valve assembly	Acetal / Nitrile
Diaphragm assembly	Stainless Steel / Nitrile
Panel nut	Acetal

Repair and Service Kits

Plastic bowl / bowl guard manual drain	P31KB00BGM
Plastic bowl / bowl guard pulse drain	P31KB00BGB
Metal bowl / w/o sight gauge pulse drain	P31KB00BMB
5µ particle filter element	P31KA00ESE
Panel mount nut - aluminum	P31KA00MM
Panel mount nut - plastic	P31KA00MP
Angle bracket (attaches via panel nut)	P31KB00MR
C-bracket (fits to body)	P31KA00MW
T-bracket with body connector	P31KA00MT
Body connector	P31KA00CB

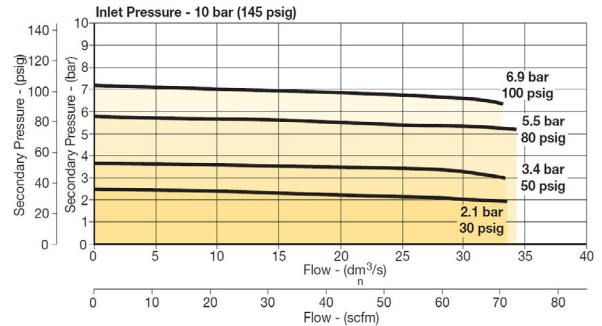


WARNING

Product rupture can cause serious injury. Do not connect regulator to bottled gas. Do not exceed Maximum primary pressure rating.

Flow Charts

P31EB 1/4" Filter / Regulator



Gauges (*see note below)

Square flush mount gauge	0-60 psig	P31KA060XB
	0-160 psig	P31KA160XB
	0-290 psig	P31KA290XB
	0-4 bar	P31KA04BXB
	0-11 bar	P31KA11BXB
	0-20 bar	P31KA20BXB
	0-0.4 MPa	P31KA04MXB
Square flush mount gauge	0-1.1 MPa	P31KA11MXB
	0-2.0 MPa	P31KA20MXB
	0-4 bar	K4511SCR04B
	0-11 bar	K4511SCR11B
Square with adapter kit	0-60 psig	K4511SCR060
	0-160 psig	K4511SCR160
	0-4 bar	P6G-PR10040
	0-11 bar	P6G-PR10110
1.00" Round 1/8" center back mount	0-60 psig	P6G-PR90060
	0-160 psig	P6G-PR90160
	0-60 psig / 1-4 bar	K4510N18060
	0-160 psig / 0-11 bar	K4510N18160
40mm Round 1/8" center back mount (not for use with common port regulators)	0-30 psig / 0-2 bar	K4515N18030
	0-60 psig / 0-4 bar	K4515N18060
	0-160 psig / 0-11 bar	K4515N18160
	0-60 psig	P31KA060XB

For best performance, regulated pressure should always be set by increasing the pressure up to the desired setting.

***For P31 Regulators with date code after November 2023 (4423 Date Code), please use these part numbers when ordering a replacement gauge.**

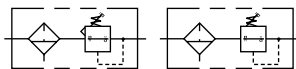
CAUTION:

REGULATOR PRESSURE ADJUSTMENT – The working range of knob adjustment is designed to permit outlet pressures within their full range. Pressure adjustment beyond this range is also possible because the knob is not a limiting device. This is a common characteristic of most industrial regulators, and limiting devices may be obtained only by special design. For best performance, regulated pressure should always be set by increasing the pressure up to the desired setting.

Filters
Coalescers
Regulators
Filter / Regulators
Lubricators
Miniature / Inline Products

B34 Filter / Regulator - Miniature

- Excellent water removal efficiency
- Diaphragm operated for fast operation
- Large diaphragm to valve area for precise regulation and high flow capacity
- Balanced valve design for precise regulation
- Space saving package offers both filter and regulator features in one integral unit
- Non-rising adjustment knob
- 1/8", 1/4" ports (NPT, BSPP)



Port Size	Description †	Part Number
1/8"	Poly Bowl, Twist Drain	B344-01AGC
1/8"	Metal Bowl, Twist Drain	B344-01DGC
1/4"	Poly Bowl, Twist Drain	B344-02AGC
1/4"	Metal Bowl, Twist Drain	B344-02DGC

† For polycarbonate bowl, see caution in Engineering Section A.
NOTE: 1.218 Dia. (31 mm) hole required for panel mounting.

Operating information

Supply pressure (max):		
Zinc bowl (D)		0 to 300 psig (0 to 20.7 bar)
Poly bowl (A)		0 to 150 psig (0 to 10.3 bar)
Operating temperature:		40°F to 150°F (4.4°C to 52°C)
Reduced pressure range:		
		0 to 25 psig (0 to 1.7 bar)
		0 to 60 psig (0 to 4.1 bar)
		2 to 125 psig (0.15 to 8.5 bar)
Flow capacity†:		
High flow	1/8"	17 scfm (8 dm³/s, ANR)
	1/4"	19 scfm (9 dm³/s, ANR)
Bowl capacity:		1 oz.
Weight:		
	Zinc bowl	0.6 lb (0.27 kg)
	Poly bowl	0.3 lb (0.14 kg)

† scfm = Standard cubic feet per minute at 100 psig inlet and 75 psig no psig no flow secondary setting and 25% pressure drop.

() Bowl type

Ordering Information:

B34 4 - 02 A G C

Number of Ports	
2 Ports	2
4 Ports	4

Port Type	
NPT	-
BSPP	G

Port Size	
1/8 inch	01
1/4 inch	02

Element	
Polycarbonate Bowl	A
Metal Without Sight Gauge	D

Element	
5 Micron	

Options	
Blank	None
G	Gauge
K	Non-Relieving
P	Panel Mount (plastic)
S	Auto Pulse Drain

Reduced Pressure Range	
A	0-25 psig
B	0-60 psig
C	0-125 psig

☐ Most popular.



For inventory, lead times, and kit lookup, visit www.pdnplu.com

Miniature Filter / Regulators

Material Specifications

Adjusting Knob	Acetal
Body	Aluminum
Polycarbonate bowl (A)	Polycarbonate
Metal bowl (D)	Zinc
Elastomers	Buna N
Filter Element polyethylene	Sintered
Filter retainer, vane plate	Acetal
Innervalve, diaphragm, button, drain	Brass

Repair and Service Kits

Adjusting knob	RRP-16-005-000
Zinc bowl (D)	BK505Y
Zinc bowl with auto pulse drain (D)	BK505SY
Polycarbonate bowl (A)	BK504Y
Polycarbonate bowl with auto pulse drain (A)	BK504SY
Automatic pulse drain (Maximum pressure = 175 psig)	RK504SY
5 micron element (All)	FRP-96-729
1-1/2" dial size, 1/8" back connection 0 to 60 psig (0 to 400 kPa), gauge	K4515N18060
1-1/2" dial size, 1/8" back connection 0 to 160 psig (0 to 1100 kPa), gauge	K4515N18160
Mounting bracket kit (includes plastic panel nut)	SA161X57
Panel mount nut, plastic	R05X51-P
Panel mount nut, aluminum	R05X51-A
Non-relieving diaphragm, valve assembly (All)	GRP-96-726
Relieving diaphragm, valve assembly (All)	GRP-96-725
0-25 psig gauge	GRP-95-111
0-60 psig gauge	GRP-96-718
0-125 psig gauge	GRP-96-717

WARNING

**Product rupture can cause serious injury.
Do not connect regulator to bottled gas.
Do not exceed Maximum primary pressure rating.**

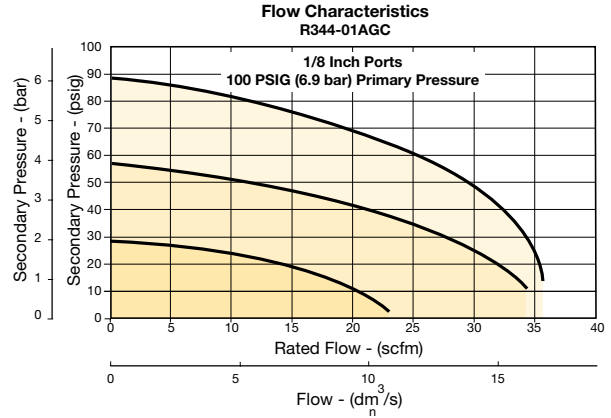
CAUTION:

REGULATOR PRESSURE ADJUSTMENT – The working range of knob adjustment is designed to permit outlet pressures within their full range. Pressure adjustment beyond this range is also possible because the knob is not a limiting device. This is a common characteristic of most industrial regulators, and limiting devices may be obtained only by special design. For best performance, regulated pressure should always be set by increasing the pressure up to the desired setting.

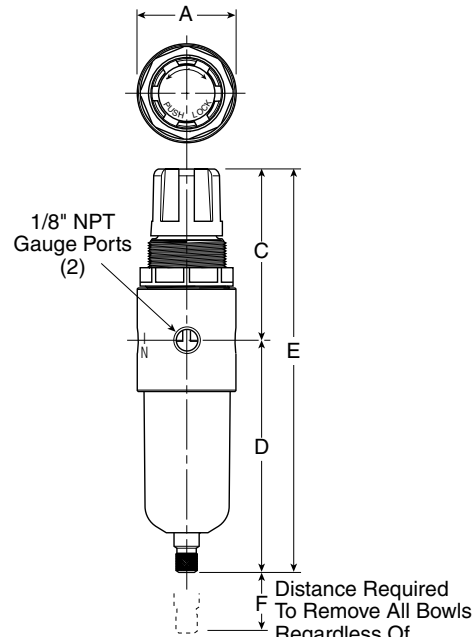
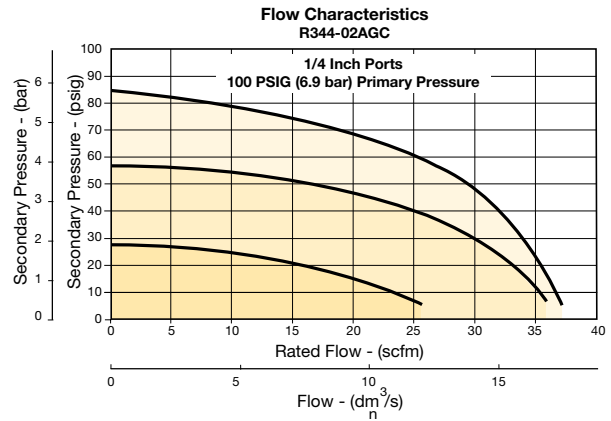
Air Preparation Products Miniature / Inline

Flow Charts

B34 1/8" Filter / Regulator



B34 1/4" Filter / Regulator



Filters

Coalescers

Regulators

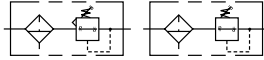
Filter /
Regulators

Lubricators

Miniature / Inline
Products

14E Filter / Regulator - Miniature

- Excellent water removal efficiency
- Unbalanced poppet standard
- Solid control piston for extended life
- Space saving package offers both filter and regulator features in one integral unit
- Non-rising adjustment knob
- Two full flow 1/8" gauge ports
- 1/8", 1/4" ports (NPT, BSPP, BSPT)



Port Size	Description †	Part Number
1/8"	Poly Bowl, Twist Drain	14E01B13FC
1/8"	Metal Bowl, Twist Drain	14E03B13FC
1/8"	Poly Bowl, Auto Pulse Drain	14E05B13FC
1/8"	Metal Bowl, Auto Pulse Drain	14E07B13FC
1/4"	Poly Bowl, Twist Drain	14E11B13FC
1/4"	Metal Bowl, Twist Drain	14E13B13FC
1/4"	Poly Bowl, Auto Pulse Drain	14E15B13FC
1/4"	Metal Bowl, Auto Pulse Drain	14E17B13FC

† For polycarbonate bowl, see caution in Engineering Section A.
NOTE: 1.218 Dia. (31 mm) hole required for panel mounting.

Operating information

Supply pressure (max):
 Plastic bowl 0 to 150 psig (0 to 10.3 bar)
 Metal bowl 0 to 250 psig (0 to 17.2 bar)

Secondary pressure ranges
 Standard 2 to 125 psig (0 to 8.6 bar)
 Medium 1 to 30 psig (0 to 2.1 bar)
 Medium 1 to 60 psig (0 to 4.1 bar)
 Low 1 to 15 psig (0 to 1 bar)

Operating temperature:
 Plastic bowl 32°F to 125°F (0°C to 52°C)
 Metal bowl 32°F to 175°F (0°C to 80°C)

Flow capacity†:
 High flow 1/8" 16 scfm (7.6 dm³/s, ANR)
 1/4" 18 scfm (8.5 dm³/s, ANR)

Bowl capacity: 1 oz.
 Auto pulse drain tube barb 1/8 inch
 Gauge ports (2): 1/8 inch (can be used as additional full flow)

Weight: 0.4 lb (0.18 kg)

† scfm = Standard cubic feet per minute at 100 psig inlet and 10 psig pressure drop.

Ordering Information:

14E 1 1 B 13 F C

Port Size	Element	Engineering Level	Preset / Pressure Limited
1/8 inch 0	40 Micron A	C Current	Blank None
1/4 inch 1	5 Micron B		XXX* Preset Pressure
	Adsorber Z		XXX* Pressure Limited

Bowl Options	Relief	Port Type
Poly Bowl, Twist Drain 1	F Relieving	Blank NPT
Poly Bowl, Auto Pulse Drain 5	G Non-Relieving	1 BSPP
Metal Bowl, Twist Drain 3	H* Low Temp. Relieving	2 BSPT
Metal Bowl, Auto Pulse Drain 7		

Pressure Range	
Without Gauge	With Gauge*
30 psig 10	30 psig 15
60 psig 11	60 psig 16
15 psig 12	15 psig 17
125 psig 13	125 psig 18

* Twist drain only.

Options
Blank No options
L† Preset Non-Adjustable
P† Preset Adjustable
S† Pressure Limiter Max. Adjustable
T† Pressure Limiter Max. Non-Adjustable

* Available preset / pressure limited range, 10 to 90 psig in 5 psig increments. For higher pressures, contact factory.
(Example: 065 = 65 psig)

Spring Type by Preset / Limited Pressure:
 For Preset / Limited Pressure 10 to 25 use 30 psi spring
 For Preset / Limited Pressure 26 to 50 use 60 psi spring
 For Preset / Limited Pressure 51 to 90 use 125 psi spring

† Inlet pressure is 100 psig. For other pressures contact factory.

Most popular.



For inventory, lead times, and kit lookup, visit www.pdnplu.com

Miniature Filter / Regulators

Material Specifications

Adjusting nut	Brass
Adjusting stem & spring	Steel
Body	Zinc
Bonnet, knob, seat, piston, holder & deflector	Plastic
Transparent bowl	Polycarbonate
Metal bowl (without sight gauge)	Zinc
Twist drain, body & stem	Plastic
Twist drain, seals Nitrile	
Auto pulse drain, piston & seals	Nitrile
Auto pulse drain, stem, seat, adaptor & washers	Aluminum
5 Micron elements (standard)	Plastic
40 Micron elements (optional)	Plastic
Adsorber elements (optional)	Activated charcoal
Seals	Nitrile

Repair and Service Kits

Bonnet tamperproof kit	P01265
Poly bowl / auto drain	PS408BP
Poly bowl / twist drain	PS404P
Metal bowl / auto drain	PS451BP
Metal bowl / twist drain	PS447BP
40 micron element	PS401P
5 micron element	PS403P
Adsorber element	PS452P
30 psig (0 to 2.1 bar), gauge	K4515N18030
60 psig (0 to 4.1 bar)	K4515N18060
160 psig (0 to 11.0 bar) element	K4515N18160
Mounting bracket kit* (includes panel mount nut)	PS417BP
Panel mount nut*	P78652
Unbalanced, non-relieving	PS428P
Unbalanced, relieving	PS426P
1- 15 psig spring (yellow)	P01176
1- 30 psig spring (black)	P01175
1- 60 psig spring (white)	P01174
2- 125 psig spring (gold)	P01173

*Tighten panel mount nut 2.8 to 3.4 Nm (25 to 30 in-lbs) of torque.

WARNING

**Product rupture can cause serious injury.
Do not connect regulator to bottled gas.
Do not exceed Maximum primary pressure rating.**

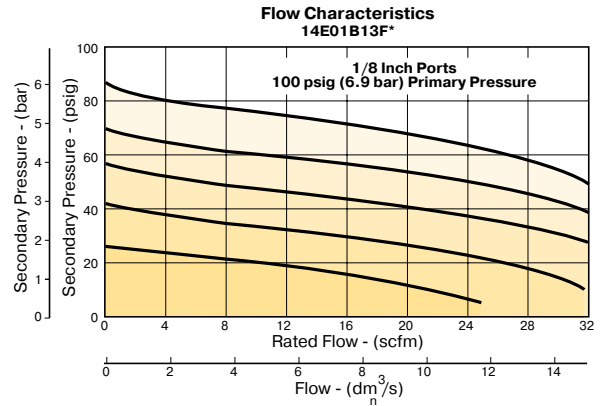
CAUTION:

REGULATOR PRESSURE ADJUSTMENT – The working range of knob adjustment is designed to permit outlet pressures within their full range. Pressure adjustment beyond this range is also possible because the knob is not a limiting device. This is a common characteristic of most industrial regulators, and limiting devices may be obtained only by special design. For best performance, regulated pressure should always be set by increasing the pressure up to the desired setting.

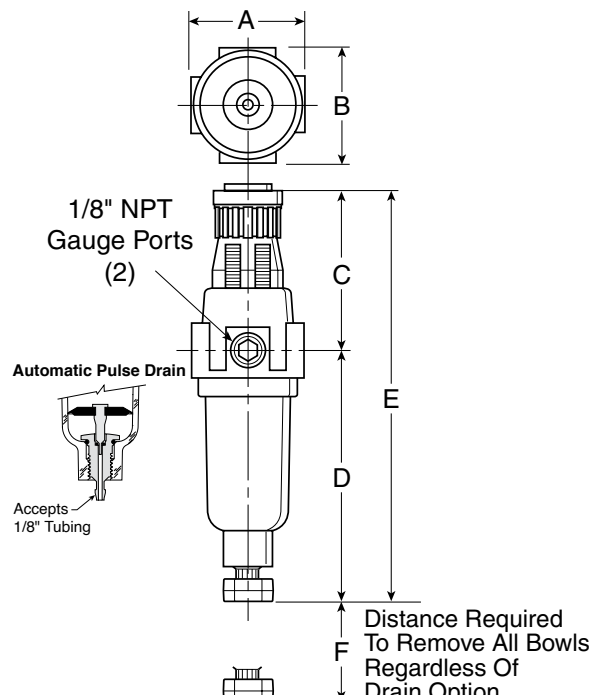
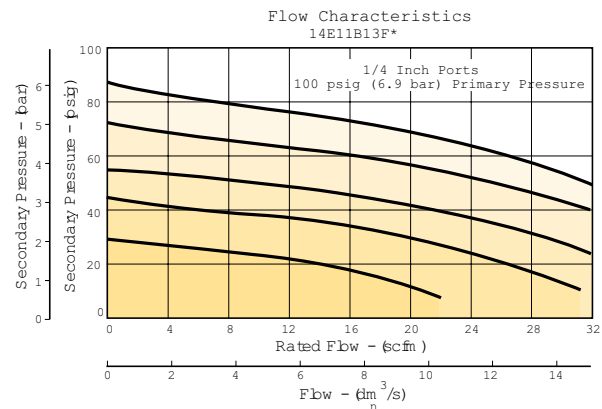
Air Preparation Products Miniature / Inline

Flow Charts

14E 1/8" Filter / Regulator

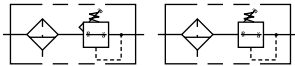


14E 1/4" Filter / Regulator



05E Filter / Regulator - Economy

- Space saving package offers both filter and regulator features for optimal performance
- Excellent water removal efficiency
- Rolling diaphragm for extended life
- Removable non-rising knob for tamper resistance
- Quick response, and accurate pressure regulation regardless of changing flow or inlet pressure
- 40 micron filter element standard
- 1/4", 3/8" ports (NPT)



Operating information

Supply pressure (max):		Plastic bowl	0 to 150 psig (0 to 10.3 bar)
		Metal bowl	0 to 250 psig (0 to 17.2 bar)
Operating temperature:		Plastic bowl	32°F to 125°F (0°C to 52°C)
		Metal bowl	32°F to 175°F (0°C to 80°C)
Flow capacity†:			
	High flow	1/4"	30 scfm (14.2 dm³/s, ANR)
		3/8"	40 scfm (18.9 dm³/s, ANR)
Bowl capacity:			2 oz.
Auto pulse drain tube barb:			1/8 inch
Gauge ports (2):			1/4 inch
Sump capacity:			0.9 oz.
Weight:			1.35 lb (0.6 kg)

† scfm = Standard cubic feet per minute at 100 psig inlet, 90 psig no flow secondary setting and 10 psig pressure drop.

Port Size	Description †	Part Number
1/4"	Poly Bowl, Metal Guard, Twist Drain	05E12A13AB
1/4"	Poly Bowl, Metal Guard, Auto Pulse Drain	05E1PA13AB
3/8"	Poly Bowl, Metal Guard, Twist Drain	05E22A13AB
3/8"	Poly Bowl, Metal Guard, Auto Pulse Drain	05E2PA13AB

† For polycarbonate bowl, see caution in Engineering Section A.

NOTE: 1.53 Dia. (39 mm) hole required for panel mounting.

Ordering Information:

05E	1	2	A	13	A	B	
Port Size		Bowl Options		Element		Pressure Range	
1/4 inch	1	Poly Bowl, Metal Bowl Guard, Twist Drain	2	40 Micron	A	Without Gauge	With Gauge*
3/8 inch	2	Poly Bowl, Metal Bowl Guard, Auto Pulse Drain	P			11 60 psig	16 60 psig
						13 125 psig	18 125 psig
						* Includes 1-1/2" dial face gauge.	
						Engineering Level	
						B Current	
						Relief	
						A Relieving	
						Port Type	
						Blank NPT	

Most popular.



For inventory, lead times, and kit lookup, visit www.pdnplu.com

Economy Filter / Regulators

Material Specifications

Adjusting stem	Steel
Body	Zinc
Bonnet, internal parts	Plastic
Transparent bowl	Polycarbonate
Bowl guard	Steel
Collar	Plastic
Diaphragm	Nitrile
Drain	Plastic
40 micron element (standard)	Plastic
5 micron element (optional)	Plastic
Adsorber element (optional)	Activated charcoal
Knob	Plastic
Seals	Nitrile
Sight gauge	Polyamide (nylon)
Springs, poppet & control	Steel

Repair and Service Kits

Bowl guard kit	PS905P
Poly bowl, automatic pulse drain	PS995P
Poly bowl, twist drain	PS932P
Auto pulse drain	PS998P
Twist drain	PS512P
40 micron element	PS901P
5 micron element	PS902P
Adsorber element	PS931P
Sight gauge kit	PS914P
1- 1/2" dial face 30 psig (0 to 2.1 bar), gauge	K4515N14030
1- 1/2" dial face 60 psig (0 to 4.1 bar), gauge	K4515N14060
1- 1/2" dial face 160 psig (0 to 11.0 bar), gauge	K4515N14160
1- 1/2" dial face 300 psig (0 to 20.7 bar), gauge	K4515N14300
2" dial face 60 psig (0 to 4.1 bar), gauge	K4520N14060
2" dial face 160 psig (0 to 11.0 bar), gauge	K4520N14160
2" dial face 300 psig (0 to 20.7 bar), gauge	K4520N14300
Mounting bracket kit (includes panel mount nut)	PS963P
Panel mount nut – metal	PS964P
1-30 psig spring	P04427
1-60 psig spring	P04426
2-125 psig spring	P04425
2-200 psig spring	P02934
Relieving service kit	PS908P
Bonnet assembly kit	PS915P

WARNING

**Product rupture can cause serious injury.
Do not connect regulator to bottled gas.
Do not exceed Maximum primary pressure rating.**

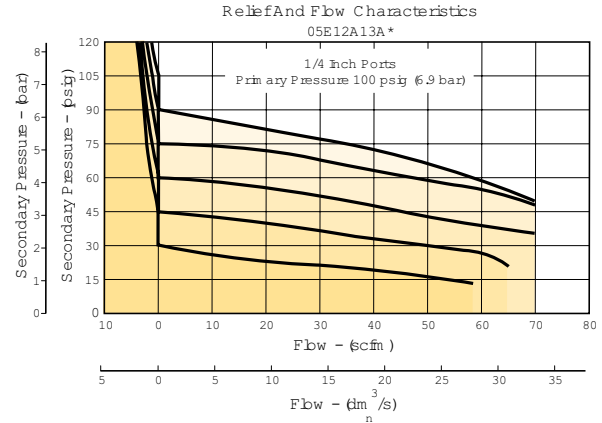
CAUTION:

REGULATOR PRESSURE ADJUSTMENT – The working range of knob adjustment is designed to permit outlet pressures within their full range. Pressure adjustment beyond this range is also possible because the knob is not a limiting device. This is a common characteristic of most industrial regulators, and limiting devices may be obtained only by special design. For best performance, regulated pressure should always be set by increasing the pressure up to the desired setting.

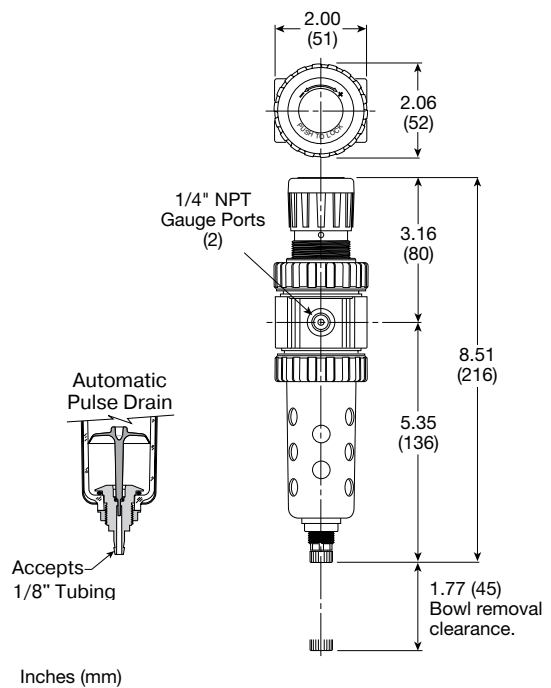
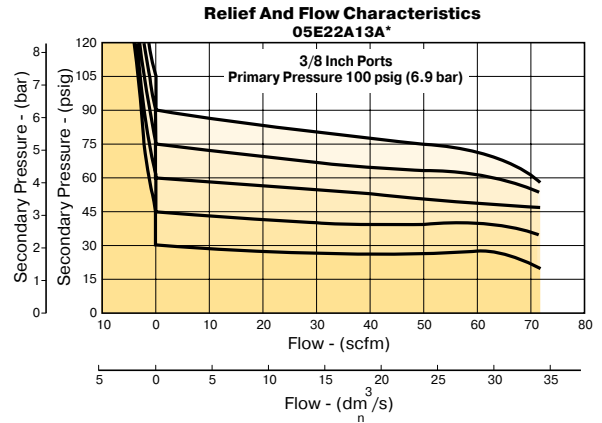
Air Preparation Products Miniature / Inline

Flow Charts

05E 1/4" Filter / Regulator



05E 3/8" Filter / Regulator



Filters

Coalescers

Regulators

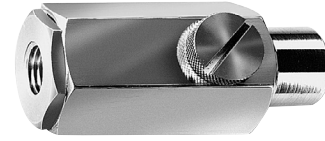
Filter /
Regulators

Lubricators

Miniature / Inline
Products

02L Lubricator - Miniature

- Extends the service life of air operated hand tools
- Reduces downtime of air operated equipment, saves money
- Small / lightweight
- Automatic lubrication with air tool operation
- Adjustable oil flow
- Corrosion resistant
- Full swivel outlet port
- Integral 1/4", 3/8" ports (NPT, BSPT)



Application

In-Line Lubricators assure proper lubrication for small pneumatic hand tools. These in-line lubricators put the oil source right at the tool. Oil capacity is 1/4 oz. (1 ml), enough to last through an average 8-hour shift. This lubricator requires cyclical or intermittent airflow for proper operation, and consequently works best when installed at the tool inlet or on a short hose near the tool. The 02L cannot be filled under pressure.

Operating information

Supply pressure (max):	200 psig (13.8 bar)	
Operating temperature:	32°F to 150°F (0°C to 65.6°C)	
Flow capacity†:		
High flow	1/4"	29 scfm (13.6 dm ³ /s, ANR)
	3/8"	30 scfm (14.2 dm ³ /s, ANR)
Oil capacity:	0.25 oz. (7.4 cm ³)	
Weight:	0.2 lb (0.1 kg)	
† scfm = Standard cubic feet per minute at 90 psig inlet and 5 psig pressure drop.		

Port Size	Description	Part Number
1/4"	Female Threads Inlet / Female Threads Outlet	02LFB
1/4"	Female Threads Inlet / Male Threads Outlet	02L1B
3/8"	Female Threads Inlet / Male Threads Outlet	02L2B

Most popular.



For inventory, lead times, and kit lookup, visit www.pdnplu.com

Filters
 Coalescers
 Regulators
 Filter / Regulators
 Lubricators
 Miniature / Inline Products

Miniature Mist Lubricators

Material Specifications

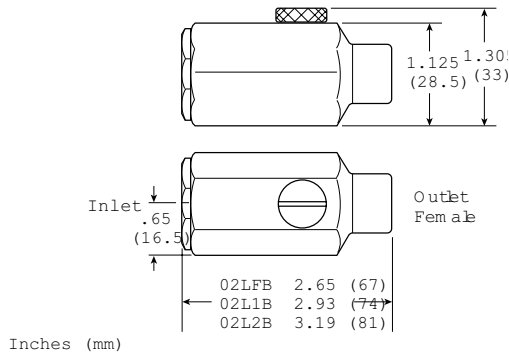
Body	Aluminum
Seals	Nitrile

Suggested Lubricant **F442 Oil**

Petroleum based oil of 100 to 200 SUS viscosity at 100°F (38°C) and an aniline point greater than 200°F (93°C)
 (DO NOT USE OILS WITH ADDITIVES, COMPOUNDED OILS CONTAINING SOLVENTS, GRAPHITE, DETERGENTS, OR SYNTHETIC OILS.)

Replacement Kits

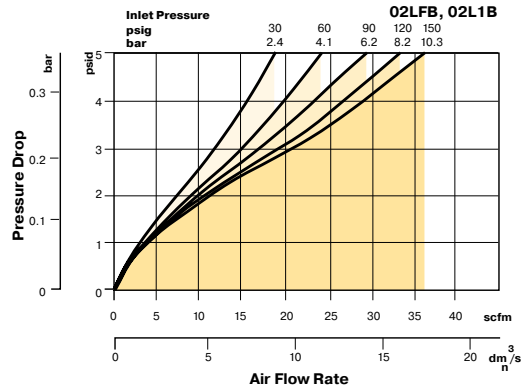
Fill plug kit, brass fill plug and o-ring	PS434
O-ring repair kit	PS435



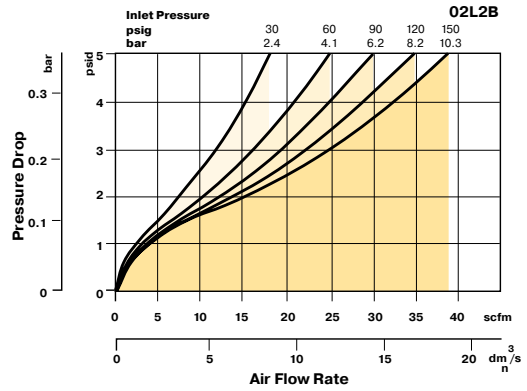
Air Preparation Products Miniature / Inline

Flow Charts

02L 1/4" In-Line Lubricator



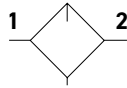
02L 3/8" In-Line Lubricator



Filters
Coalescers
Regulators
Filter / Regulators
Lubricators
Miniature / Inline Products

P31 Lubricators - Mini

- Integral 1/4" ports (NPT, BSPP & BSPT)
- Robust but lightweight aluminum construction
- Proportional oil delivery over a wide range of air flows
- Finger tip ratchet control for precise oil drip rate adjustment



Lubricator with drain

Port Size	Description	Part Number
1/4"	Poly Bowl - No Drain	P31LB92LGNN
1/4"	Metal Bowl - No Drain	P31LB92LMNN

Operating information

Flow capacity*:
 1/4 40 scfm (19 dm³/s, ANR)

Operating temperature:
 Plastic bowl 14°F to 125°F (-10°C to 52°C)
 Metal bowl 14°F to 150°F (-10°C to 65.5°C)

Supply pressure (max):
 Plastic bowl 150 psig (10 bar)
 Metal bowl 250 psig (17 bar)

Bowl capacity: 0.6 US oz. (18 cm³)
 Weight: 0.29 lb (0.13 kg)

* Inlet pressure 91.3 psig (6.3 bar). Pressure drop 4.9 psig (0.34 bar).

Ordering Information:

P31LB 9 2 L G N N

Basic Series Global Modular Mini Lubricator P31LB	Thread Type BSPP 1 BSPT 2 NPT 9	Port Size 1/4 2	Lube Type Oil Mist Standard Sight Dome L	Mounting N No Bracket	Drain Type N No Drain Closed End	Bowl Type G Poly Bowl With Bowl Guard M Metal Bowl Without Sight Gauge
---	---	---------------------------	--	---------------------------------	--	---

Suggested Lubricant **F442 Oil**
 Petroleum based oil of 100 to 200 SUS viscosity at 100°F (38°C) and an aniline point greater than 200°F (93°C)
 (DO NOT USE OILS WITH ADDITIVES, COMPOUNDED OILS CONTAINING SOLVENTS, GRAPHITE, DETERGENTS, OR SYNTHETIC OILS.)

Most popular.



For inventory, lead times, and kit lookup, visit www.pdnplu.com

Material Specifications

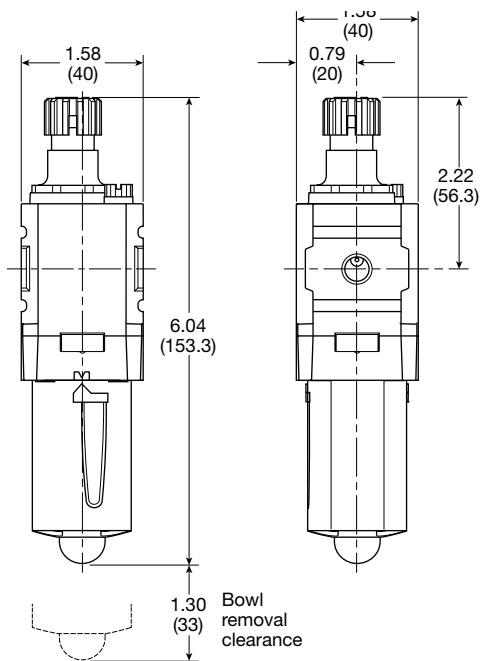
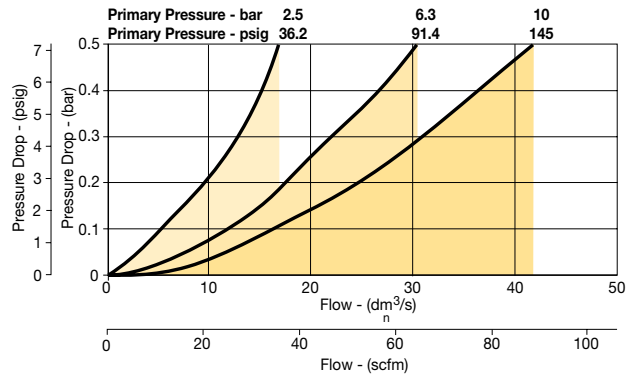
Body	Aluminum
Body cap	ABS
Plastic bowl	Polycarbonate
Metal bowl	Aluminum
Seals	Nitrile
Sight dome	Polycarbonate
Suggested lubricant ISO / ASTM VG32	
Pick-up filter	Sintered bronze

Repair and Service Kits

Plastic bowl / bowl guard no drain	P31KB00BGN
Metal bowl / w/o sight gauge no drain	P31KB00BMN
Drip control assembly	P32KA00PG
Fill plug	P31KA00PL
C-bracket (fits to body)	P31KA00MW
T-bracket with body connector	P31KA00MT
Body connector	P31KA00CB
Oil (1 quart)	F442001
Oil (1 gallon)	F442002
Oil (12 quart case)	F442003
Oil (4 gallon case)	F442005

Flow Charts

P31LB 1/4" Lubricator



Inches (mm)

Filters
Coalescers
Regulators
Filter / Regulators
Lubricators
Miniature / Inline Products



For inventory, lead times, and kit lookup, visit www.pdnplu.com

04L Mist Lubricators - Miniature

- Proportional oil delivery over a wide range of air flows
- Precision needle valve assures repeatable oil delivery and provides simple adjustment of delivery rate
- Ideal for low and high flow applications with changing air flow
- Transparent sight dome for 360° visibility
- Integral 1/8", 1/4" ports (NPT, BSPP, BSPT)



Port Size	Description †	Part Number
1/8"	Poly Bowl, No Drain	04L00GB
1/8"	Metal Bowl, No Gauge, Twist Drain	04L03GB
1/4"	Poly Bowl, No Drain	04L10GB
1/4"	Metal Bowl, No Gauge, Twist Drain	04L13GB

† For polycarbonate bowl and sight dome, see caution in Engineering Section A.

Operating information

Supply pressure (max):		
Plastic bowl		150 psig (10.3 bar)
Metal bowl		250 psig (17.2 bar)
Operating temperature:		
Plastic bowl		32°F to 125°F (0°C to 52°C)
Metal bowl		32°F to 175°F (0°C to 80°C)
Flow capacity [†] :		
High flow	1/8"	20 scfm (9.4 dm ³ /s, ANR)
	1/4"	20 scfm (9.4 dm ³ /s, ANR)
Minimum flow		
		0.5 scfm (0.24 dm ³ /s, ANR) at 100 psig (6.9 bar)
Bowl capacity:		
		1 oz.
Weight:		
		0.4 lb (0.18 kg)

[†] scfm = Standard cubic feet per minute at 90 psig inlet and 5 psig pressure drop.

Ordering Information:

Port Size	0	1
1/8 inch	0	1
1/4 inch	1	

Port Type	Blank	NPT	1	2
			BSPP	BSPT

Bowl Options	0	1	3
Poly Bowl, No Drain	0	1	
Poly Bowl, Twist Drain		1	
Metal Bowl, Twist Drain			3

Engineering Level	B
Current	B

Body	G
No Fill Plug	G

Suggested Lubricant F442 Oil

Petroleum based oil of 100 to 200 SUS viscosity at 100°F (38°C) and an aniline point greater than 200°F (93°C)
(DO NOT USE OILS WITH ADDITIVES, COMPOUNDED OILS CONTAINING SOLVENTS, GRAPHITE, DETERGENTS, OR SYNTHETIC OILS.)

Most popular.



For inventory, lead times, and kit lookup, visit www.pdnplu.com

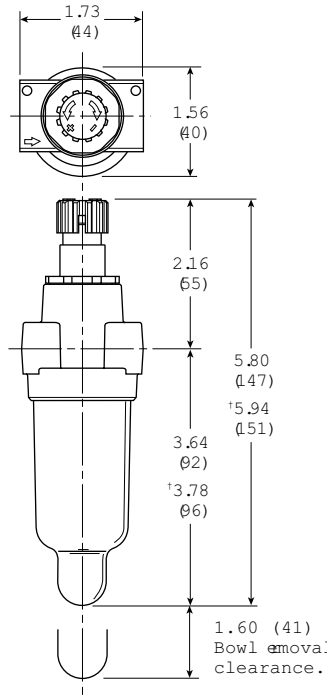
Miniature Mist Lubricators

Material Specifications

Body	Zinc
Transparent bowls	Polycarbonate
Metal bowl (without sight gauge)	Zinc
Drains, twist – body & nut	Plastic
Seals	Nitrile
Sight dome	Polycarbonate

Repair and Service Kits

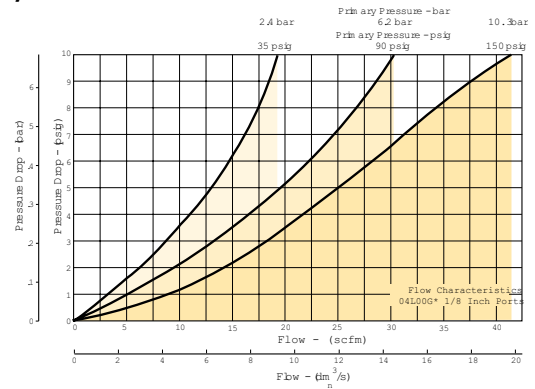
Poly bowl / no drain kit	PS421P
Poly bowl / twist drain kit	PS420P
Metal bowl / twist drain (no sight gauge) kit	PS447BP
Mounting bracket kit	PS419
Oil (1 quart)	F442001
Oil (1 gallon)	F442002
Oil (12 quart case)	F442003
Oil (4 gallon case)	F442005



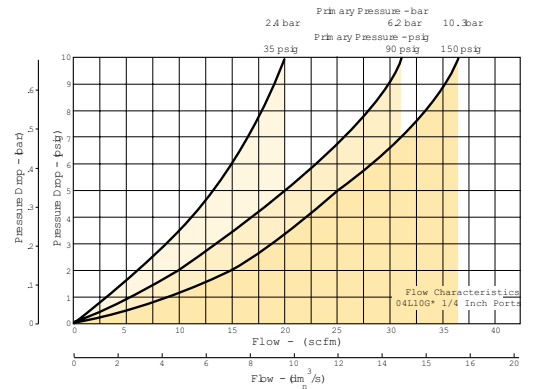
Air Preparation Products Miniature / Inline

Flow Charts

04L 1/8" Lubricator



04L 1/4" Lubricator



Filters

Coalescers

Regulators

Filter /
Regulators

Lubricators

Miniature / Inline
Products

J
Miniature / Inline
Products



For inventory, lead times, and kit
lookup, visit www.pdnplu.com



Air Preparation Products
Regulators Products

General	K2-K39
Dial	K40-K47
Pilot	K48-K61
Proportional	K62-K87
Precision	K88-K101
Water	K102-K108

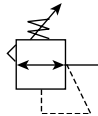
K

Regulator Products



14R Regulators - Miniature

- Unbalanced poppet standard
- Solid control piston with lip seal for extended life
- Non-rising adjusting knob
- Compact design
- Very easy to service
- 1/8", 1/4" ports (NPT, BSPP, BSPT)



Port Size	Description	Part Number
1/8"	Without Gauge	14R013FC
1/8"	With Gauge	14R018FC
1/4"	Without Gauge	14R113FC
1/4"	With Gauge	14R118FC

NOTE: 1.218 Dia. (31 mm) hole required for panel mounting.

Operating information

Supply pressure (max):	0 to 300 psig (0 to 20.7 bar)	
Secondary pressure ranges		
Standard	2 to 125 psig (0 to 8.6 bar)	
Medium	1 to 60 psig (0 to 4.1 bar)	
Medium	1 to 30 psig (0 to 2.1 bar)	
Low	1 to 15 psig (0 to 1 bar)	
Operating temperature:	32°F to 125°F (0°C to 52°C)	
Low temperature	-4°F to 125°F (-20°C to 52°C)	
Flow capacity†:		
High flow	1/8"	13 scfm (6.1 dm³/s, ANR)
	1/4"	15 scfm (7.1 dm³/s, ANR)
Gauge ports (2):	1/8 or 1/4 inch	
Weight:	0.3 lb (0.14 kg)	

† scfm = Standard cubic feet per minute at 100 psig inlet, 90 psig no flow secondary setting and 10 psig pressure drop.

Ordering Information:

14R
1
13
F
C

Port Size	Port Type	Preset / Pressure Limited
1/8 Inch Pipe, 1/8 Inch Gauge Port 0	Blank NPT	Blank None
1/4 Inch Pipe, 1/8 Inch Gauge Port 1	1 BSPP	XXX* Preset Pressure
1/4 Inch Pipe, 1/4 Inch Gauge Port B	2 BSPT	XXX* Pressure Limited
1/8 Inch Pipe, No Gauge Port C		
Manifold Mounting M		
Engineering Level		
C Current		
Pressure Range		
Yellow Knob	Black Knob	
Without Gauge		
30 psig 10	30 psig B0	
60 psig 11	60 psig B1	
15 psig 12	15 psig B2	
125 psig 13	125 psig B3	
With Gauge*		
30 psig 15	30 psig B5	
60 psig 16	60 psig B6	
15 psig 17	15 psig B7	
125 psig 18	125 psig B8	
Relief		
F Relieving		
G Non-Relieving		
H Low Temp. Relieving		
J Low Temp. Non-Relieving		
Options		
Blank	No Options	
L†	Preset Non-Adjustable	
P†	Preset Adjustable	
S†	Pressure Limiter Max. Adjustable	
T†	Pressure Limiter Max. Non-Adjustable	

* Available preset / pressure limited range, 10 to 90 psig in 5 psig increments. For higher pressures, contact factory.
(Example: 065 = 65 psig)

† Inlet pressure is 100 psig. For other pressures contact factory.

Spring Type by Preset / Limited Pressure:
 For Preset / Limited Pressure 10 to 25 use 30 psi spring
 For Preset / Limited Pressure 26 to 50 use 60 psi spring
 For Preset / Limited Pressure 51 to 90 use 125 PSI Spring

 Most popular.



For inventory, lead times, and kit lookup, visit www.pdnplu.com

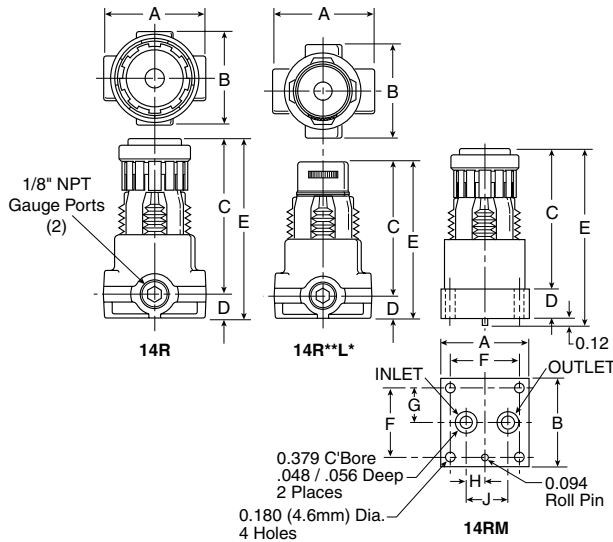
Material Specifications

Adjusting nut	Brass
Adjusting stem & spring	Steel
Body	Zinc
Bonnet, seat, piston & valve poppet	Plastic
Seals	Nitrile

Repair and Service Kits

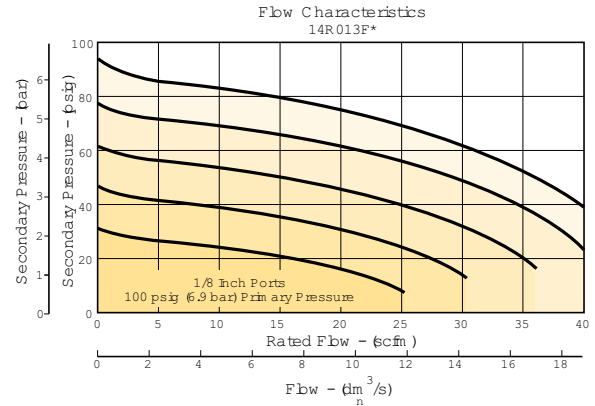
Bonnet assembly kit	L01369
Bonnet tamperproof kit	P01265
30 psig gauge, 1/8" NPT (0 to 2.1 bar)	K4515N18030
60 psig gauge, 1/8" NPT (0 to 4.1 bar)	K4515N18060
160 psig gauge, 1/8" NPT (0 to 11.0 bar)	K4515N18160
60 psig gauge, 1/4" NPT (0 to 4.1 bar)	K4520N14060
160 psig gauge, 1/4" NPT (0 to 11.0 bar)	K4520N14160
Mounting bracket kit* (includes panel mount nut)	PS417BP
Plastic panel mount nuts*	P78652
Metal panel mount nuts*	P01531
Unbalanced non-relieving, poppet / piston kit	PS428P
Unbalanced relieving, poppet / piston kit	PS426P
1-15 psig spring (yellow)	P01176
1-30 psig spring (black)	P01175
1-60 psig spring (white)	P01174
2-125 psig spring (gold)	P01173

* Tighten panel mount nut 2.8 to 3.4 Nm (25 to 30 in-lbs) of torque.

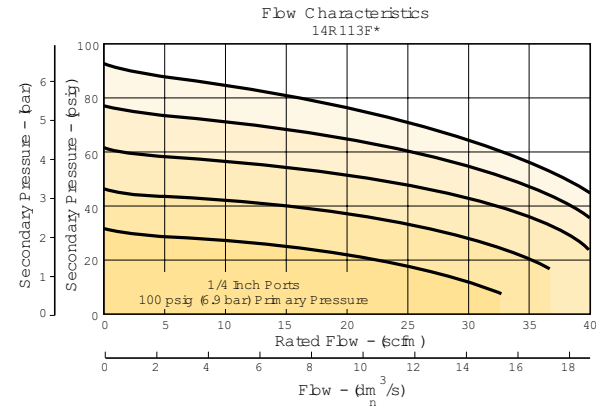


Flow Charts

1/8" Ports



1/4" Ports



WARNING
 Product rupture can cause serious injury.
 Do not connect regulator to bottled gas.
 Do not exceed Maximum primary pressure rating.

CAUTION:

REGULATOR PRESSURE ADJUSTMENT – The working range of knob adjustment is designed to permit outlet pressures within their full range. Pressure adjustment beyond this range is also possible because the knob is not a limiting device. This is a common characteristic of most industrial regulators, and limiting devices may be obtained only by special design. For best performance, regulated pressure should always be set by increasing the pressure up to the desired setting.

General

Dial

Pilot

Proportional

Precision

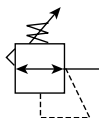
Water

K

Regulator Products

P3A-R Regulators - Miniature

- Lightweight plastic body
- Non-rising adjusting knob
- Solid control piston with lip seal for extended life
- Unbalanced poppet standard
- Two full flow 1/8" gauge ports
- Reverse flow capability
- 1/8", 1/4" ports (NPT)



Port Size	Description	Part Number
1/4"	Without Gauge	P3A-RN92YNNN

NOTE: 1.218 Dia. (31 mm) hole required for panel mounting.

Operating information

Supply pressure (max):	120 psig (8.3 bar)	
Secondary pressure:	15 psig spring	
	15 psig spring	1 to 15 psig (0.07 to 1.0 bar)
	30 psig spring	6 to 30 psig (0.4 to 2.1 bar)
	60 psig spring	6 to 60 psig (0.4 to 4.1 bar)
	110 psig spring	6 to 110 psig (0.4 to 7.6 bar)
Operating temperature:	32°F to 125°F (0°C to 52°C)	
Flow capacity [†] :	1/8"	
	High flow	13 scfm (6.1 dm ³ /s, ANR)
	1/4"	15 scfm (7.1 dm ³ /s, ANR)
Gauge ports (2):	1/8 inch	
Weight:	0.3 lb (0.14 kg)	

[†] scfm = Standard cubic feet per minute at 100 psig inlet, 90 psig no flow secondary setting and 10 psig pressure drop.

Ordering Information:

P3A-RN 9 1 Y N N N

Port Type	9
NPT Female	

Port Size	1
1/8 inch	
1/4 inch	2

Relief	Y
Non-Relieving, Black Knob	B
Relieving, Black Knob	N
Non-Relieving, Yellow Knob	Q
Relieving, Yellow Knob	Y

Pressure / Gauge	N
Without Gauge	
15 psig (0 to 1 bar)	A
30 psig (0 to 2 bar)	Y
60 psig (0 to 4 bar)	L
120 psig (0 to 8 bar)	N
With Gauge	
15 psig (0 to 1 bar)	B
30 psig (0 to 2 bar)	Z
60 psig (0 to 4 bar)	M
120 psig (0 to 8 bar)	G

Preset / Pressure Limited	None
Blank	
XXX*	Preset Pressure
XXX*	Pressure Limited

* Available preset / pressure limited range, 10 to 90 psig in 5 psig increments. For higher pressures, contact factory.
 (Example: 065 = 65 psig)

Option	N
None	

Options	No Options
N	
L [†]	Preset Non-Adjustable
P [†]	Preset Adjustable
S [†]	Pressure Limiter Max. Adjustable
T [†]	Pressure Limiter Max. Non-Adjustable

[†] Inlet pressure is 100 psig. For other pressures contact factory.

Most popular.



For inventory, lead times, and kit lookup, visit www.pdnplu.com

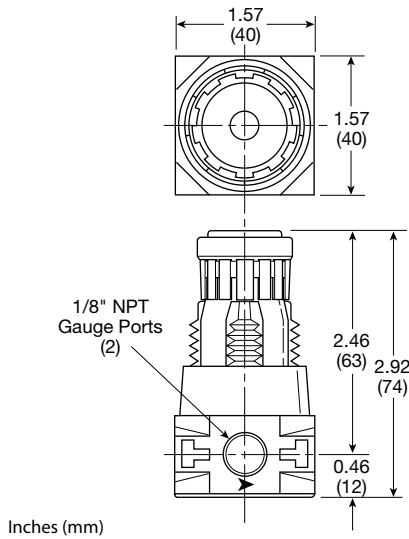
Material Specifications

Adjusting nut	Brass
Adjusting stem & spring	Steel
Poppet return spring	Stainless Steel
Body	Plastic
Bonnet, seat & piston	Plastic
Seals	Nitrile
Valve poppet	Plastic & nitrile

Repair and Service Kits

30 psig gauge, 1/8" NPT (0 to 2.1 bar)	K4515N18030
60 psig gauge, 1/8" NPT (0 to 4.1 bar)	K4515N18060
160 psig gauge, 1/8" NPT (0 to 11.0 bar)	K4515N18160
Mounting bracket kit* (includes panel mount nut)	PS417BP
Panel mount nut*	P78652
Unbalanced non-relieving, poppet / piston kit	PS428P
Unbalanced relieving, poppet / piston kit	PS426P
1- 15 psig Spring (yellow)	P01176
1-30 psig spring (black)	P01175
1-60 psig spring (white)	P01174
5- 110 psig spring (gold)	P01173

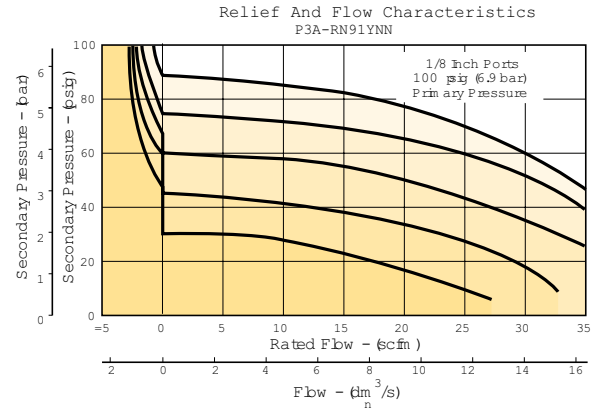
* Tighten panel mount nut 2.8 to 3.4 Nm (25 to 30 in-lbs) of torque.



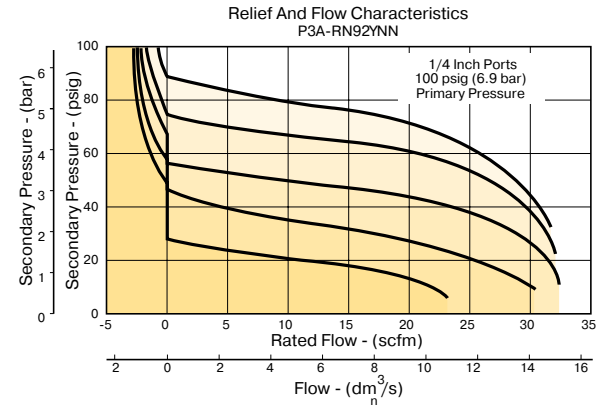
Air Preparation Products
P3A-R Series

Flow Charts

1/8" port



1/4" port



⚠ WARNING

**Product rupture can cause serious injury.
 Do not connect regulator to bottled gas.
 Do not exceed Maximum primary pressure rating.**

CAUTION:

REGULATOR PRESSURE ADJUSTMENT – The working range of knob adjustment is designed to permit outlet pressures within their full range. Pressure adjustment beyond this range is also possible because the knob is not a limiting device. This is a common characteristic of most industrial regulators, and limiting devices may be obtained only by special design. For best performance, regulated pressure should always be set by increasing the pressure up to the desired setting.

General

Dial

Pilot

Proportional

Precision

Water

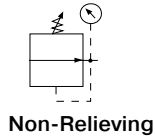
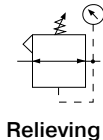
K

Regulator Products



R34 Regulators - Miniature

- Diaphragm operated for fast response
- Large diaphragm to valve area ratio for precise regulation and high flow capacity
- Balanced valve design for precise regulation
- Available in 2 or 4 port design
- Available with a manifold mount to minimize plumbing
- Suitable for low temperature applications
- Non-rising adjusting knob
- 1/8", 1/4" ports (NPT, BSPP)



R344-02C



R342-0MC

Port Size	Description	Part Number	
		Without Gauge	With Gauge
1/8"	Relieving, 0 to 30 psig	R344-01A	R344-01AG
1/8"	Relieving, 0 to 60 psig	R344-01B	R344-01BG
1/8"	Relieving, 0 to 125 psig	R344-01C	R344-01CG
1/4"	Relieving, 0 to 30 psig	R344-02A	R344-02AG
1/4"	Relieving, 0 to 60 psig	R344-02B	R344-02BG
1/4"	Relieving, 0 to 125 psig	R344-02C	R344-02CG
Manifold	Relieving, 0 to 30 psig	R342-0MA	-
Manifold	Relieving, 0 to 60 psig	R342-0MB	-
Manifold	Relieving, 0 to 125 psig	R342-0MC	-

Operating information

Supply pressure (max):	300 psig (0 to 20.7 bar)	
Operating temperature:	-40°F to 150°F (-40°C to 65.5°C)	
Flow capacity [†] :		
High flow	1/8"	17 scfm (8.0 dm ³ /s, ANR)
	1/4"	19 scfm (8.9 dm ³ /s, ANR)
Gauge ports (2):	1/8 inch (no gauge port version available)	
Weight:	0.25 lb (0.11 kg)	

[†] scfm = Standard cubic feet per minute at 100 psig inlet, 90 psig no flow secondary setting and 10 psig pressure drop.

Ordering Information:

R34 4 - 02 C G

Number of Ports	
2 Ports	2
4 Ports	4*

* Not available with manifold mount.

Thread	
NPT	-
BSPP	G

Port	
1/8 inch	01
1/4 inch	02
Manifold Mount	0M

Pressure Range	
0 to 30 psi	A
0 to 60 psi	B
0 to 125 psi	C

Options	
Blank	No Options
L [†]	Preset Non-Adjustable
M [†]	Preset Adjustable

[†] Inlet pressure is 100 psig. For other pressures contact factory.

Options	
Blank	No Option
G	Gauge
K	Non-Relieving Diaphragm
N	Unbalanced
P	Panel Mount Nut
X64	Fluorocarbon Elastomers

Preset	
Blank	None
XXX*	Preset Pressure

* Available preset / pressure limited range, 10 to 90 psig in 5 psig increments. For higher pressures, contact factory.
 (Example: 065 = 65 psig)

Most popular.



For inventory, lead times, and kit lookup, visit www.pdnplu.com

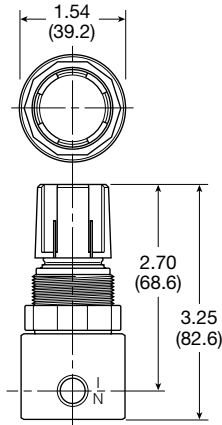
Material Specifications

Body	Aluminum
Bonnet	Acetal
Diaphragm & seals	Nitrile
Valve assembly	Brass
Springs	Steel
Panel Nut	Acetal

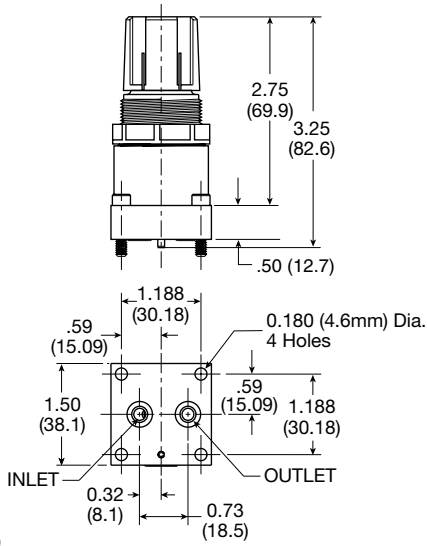
Repair and Service Kits

Diaphragm assembly, non-relieving	GRP-96-726
Diaphragm assembly, relieving	GRP-96-725
0 to 30 psig (0 to 2.1 bar), spring, regulating	GRP-95-111
0 to 60 psig (0 to 4.1 bar) spring, regulating	GRP-96-718
0 to 125 psig (0 to 8.6 bar) spring, regulating	GRP-96-717
Panel mount nut, aluminum	R05X51-A
Panel mount nut, plastic	R05X51-P
Mounting bracket kit (includes panel mount nut)	SA161X57
1-1/2" Dial Face, 1/8 NPT, CBM, 0 to 60 psig (0 to 4.1 bar), gauge	K4515N18060
1-1/2" Dial Face, 1/8 NPT, CBM, 0 to 160 psig (0 to 11.0 bar), gauge	K4515N18160
Tamperproof knob kit	P31KB00AT

R342 / R344



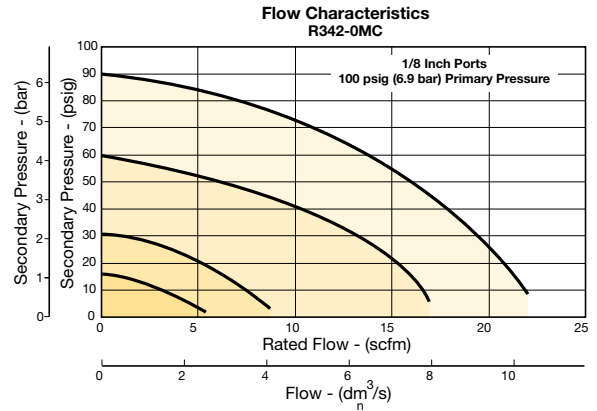
R342-OMC



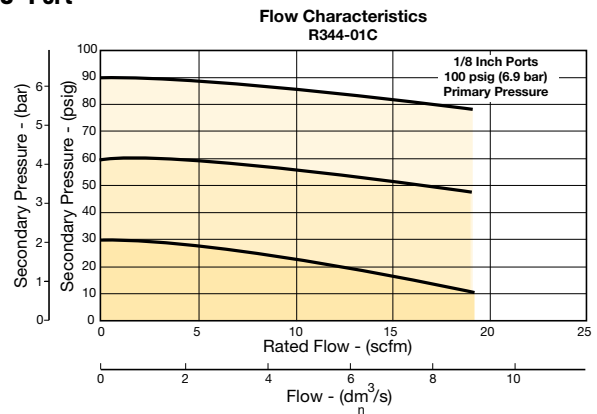
Inches (mm)

Flow Charts

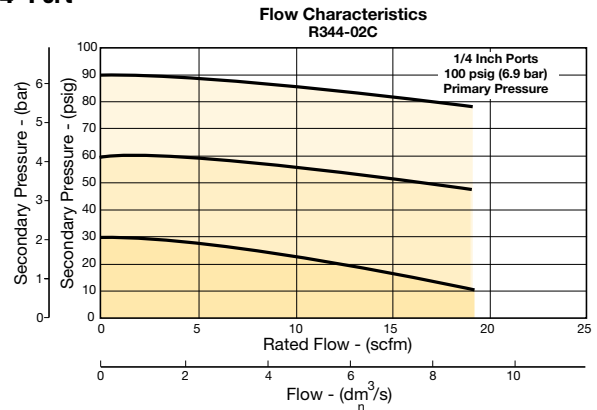
1/8" Manifold Mount



1/8" Port



1/4" Port



WARNING
 Product rupture can cause serious injury.
 Do not connect regulator to bottled gas.
 Do not exceed Maximum primary pressure rating.

CAUTION:

REGULATOR PRESSURE ADJUSTMENT – The working range of knob adjustment is designed to permit outlet pressures within their full range. Pressure adjustment beyond this range is also possible because the knob is not a limiting device. This is a common characteristic of most industrial regulators, and limiting devices may be obtained only by special design. For best performance, regulated pressure should always be set by increasing the pressure up to the desired setting.

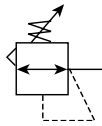


For inventory, lead times, and kit lookup, visit www.pdnplu.com

General
 Dial
 Pilot
 Proportional
 Precision
 Water
K
 Regulator Products

R25 Regulators - Miniature

- Lightweight plastic body
- Unbalanced poppet standard
- Non-rising, push-to-lock adjusting knob
- Compact, 3.10 Inch (79 mm) high by 1.60 Inch (41 mm) wide
- Lightweight
- Diaphragm operated
- 1/8", 1/4" ports (NPT)



Port Size	Description	Part Number
1/8"	Relieving, 0- 125 Reduced Pressure, without Gauge	R25-01C
1/4"	Relieving, 0- 125 Reduced Pressure, without Gauge	R25-02C

NOTE: 1.250 Dia. (31.8 mm) hole required for panel mounting.

Operating information

Supply pressure (max):	Inlet 150 psig (10.0 bar)
Operating temperature:	40°F to 125°F (4°C to 52°C)
Gauge ports (2):	1/8 inch (can be used for full flow)
Weight:	0.25 lb (0.11 kg)

Ordering Information:

R25 - 02 C

Type	Relief
Buna Elastomers R25	Blank Relieving
	P Panel Mount Nut

Port Size	
1/8 inch	01
1/4 inch	02

Pressure Range	
A	0 to 25 psig (0 to 2 bar)
B	0 to 60 psig (0 to 4 bar)
C	0 to 125 psig (0 to 125 (0 to 8 bar)

Most popular.



For inventory, lead times, and kit lookup, visit www.pdnplu.com

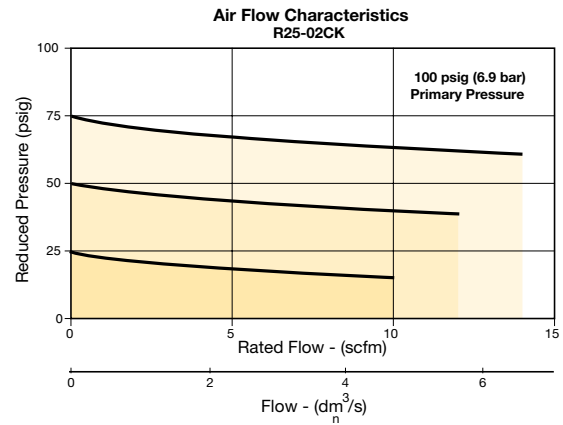
Material Specifications

Adjusting screw	Steel
Body	Acetal
Bonnet and seat	Acetal
Diaphragm	Buna N
Seals	Buna N
Springs	Stainless steel
Valve poppet	Buna N

Repair and Service Kits

Panel mount nut, plastic	R05X51-P
Panel mount nut, aluminum	R05X51-A
Mounting bracket and nut	SA161X57
Relieving (Buna)	RKR25Y
Non-Relieving (Buna)	RKR25KY
0-25 psig spring	SPR-375-1
0-60 psig spring	SPR-376
0-125 psig spring	SPR-377

Flow Charts

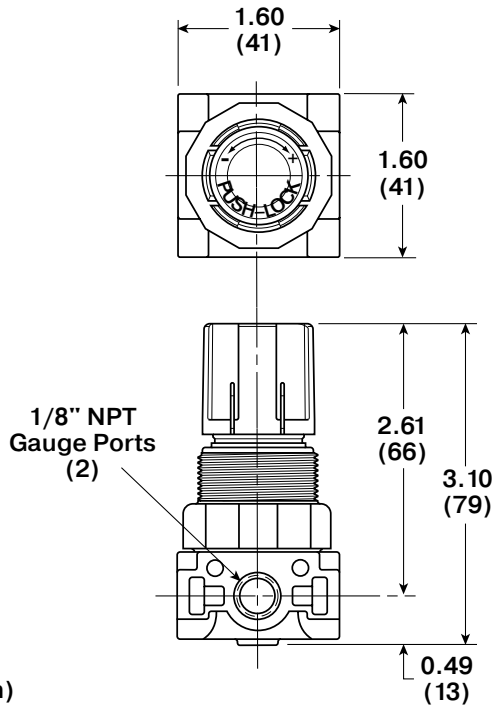


WARNING

Product rupture can cause serious injury.
 Do not connect regulator to bottled gas.
 Do not exceed Maximum primary pressure rating.

CAUTION:

REGULATOR PRESSURE ADJUSTMENT – The working range of knob adjustment is designed to permit outlet pressures within their full range. Pressure adjustment beyond this range is also possible because the knob is not a limiting device. This is a common characteristic of most industrial regulators, and limiting devices may be obtained only by special design. For best performance, regulated pressure should always be set by increasing the pressure up to the desired setting.



Inches (mm)

General

Dial

Pilot

Proportional

Precision

Water

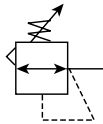
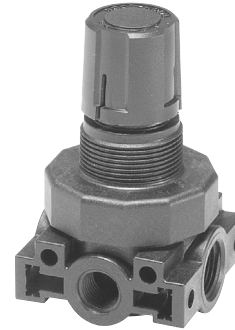
K

Regulator Products

General
 Dial
 Pilot
 Proportional
 Precision
 Water
K
 Regulator Products

R45 Regulators - Miniature

- Lightweight plastic body
- Unbalanced poppet standard
- Non-rising, push-to-lock adjusting knob
- Compact, 3.43 inch (87.1 mm) high by 2.06 inch (52.3 mm) wide
- Lightweight
- Diaphragm operated
- 1/4", 3/8" ports (NPT, BSPP)



Port Size	Description	Part Number
1/4"	Relieving, 0-125 Reduced Pressure, without Gauge	R45-02C
3/8"	Relieving, 0-125 Reduced Pressure, without Gauge	R45-03C

NOTE: 1.250 Dia. (31.8 mm) hole required for panel mounting.

Operating information

Supply pressure (max):	Inlet 150 psig (10.0 bar)
Operating temperature:	40°F to 125°F (4°C to 52°C)
Gauge ports (2):	1/4 inch (can be used for full flow)
Weight:	0.38 lb (0.17 kg)

Ordering Information:

R45 - 02 C 								
<table border="1"> <thead> <tr><th>Type</th></tr> </thead> <tbody> <tr><td>Buna Elastomers</td></tr> </tbody> </table>	Type	Buna Elastomers	<table border="1"> <thead> <tr><th>Relief</th></tr> </thead> <tbody> <tr><td>Blank</td></tr> <tr><td>P</td></tr> </tbody> </table>	Relief	Blank	P		
Type								
Buna Elastomers								
Relief								
Blank								
P								
<table border="1"> <thead> <tr><th>Port Size</th></tr> </thead> <tbody> <tr><td>1/4 inch</td></tr> <tr><td>3/8 inch</td></tr> </tbody> </table>	Port Size	1/4 inch	3/8 inch	<table border="1"> <thead> <tr><th>Pressure Range</th></tr> </thead> <tbody> <tr><td>A</td></tr> <tr><td>B</td></tr> <tr><td>C</td></tr> </tbody> </table>	Pressure Range	A	B	C
Port Size								
1/4 inch								
3/8 inch								
Pressure Range								
A								
B								
C								
<table border="1"> <tbody> <tr><td>R45</td></tr> </tbody> </table>	R45	<table border="1"> <tbody> <tr><td>02</td></tr> <tr><td>03</td></tr> </tbody> </table>	02	03				
R45								
02								
03								
<table border="1"> <tbody> <tr><td>0 to 25 psig (0 to 2 bar)</td></tr> <tr><td>0 to 60 psig (0 to 4 bar)</td></tr> <tr><td>0 to 125 psig (0 to 8 bar)</td></tr> </tbody> </table>	0 to 25 psig (0 to 2 bar)	0 to 60 psig (0 to 4 bar)	0 to 125 psig (0 to 8 bar)					
0 to 25 psig (0 to 2 bar)								
0 to 60 psig (0 to 4 bar)								
0 to 125 psig (0 to 8 bar)								

Most popular.



For inventory, lead times, and kit lookup, visit www.pdnplu.com

K10

Parker Hannifin Corporation
 Pneumatic Division
 Richland, Michigan
www.parker.com/pneumatics

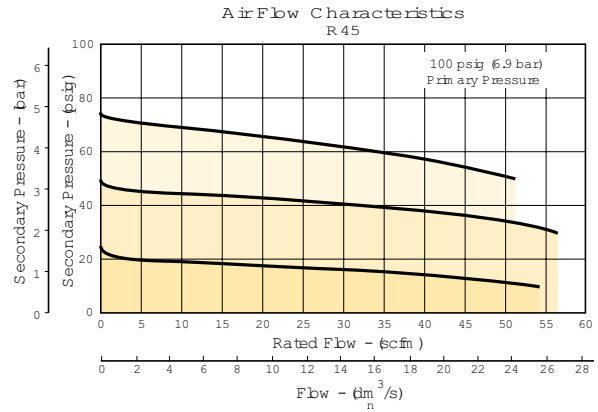
Material Specifications

Adjusting screw	Steel
Body	Acetal
Bonnet and seat	Acetal
Diaphragm	Buna N
Seals	Buna N
Springs	Stainless steel
Valve Poppet	Buna N

Repair and Service Kits

Panel mount nut, plastic	R05X51
Panel mount nut, aluminum	R05X51-A
Mounting bracket and nut	SA161X57
Relieving	RKR45Y
Non-Relieving	RKR45KY
0-25 psig spring	SPR-46
0-60 psig spring	SPR-47
0-125 psig spring	SPR-48

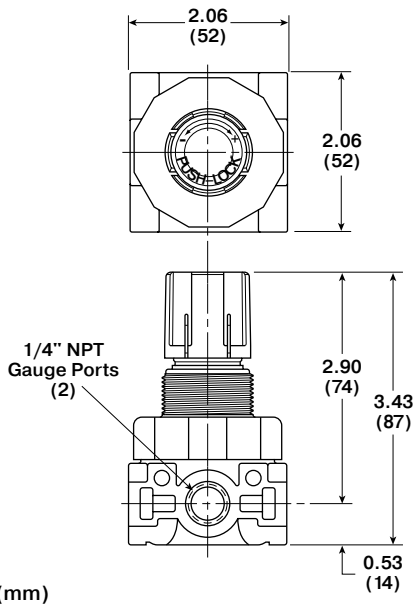
Flow Charts



WARNING
 Product rupture can cause serious injury.
 Do not connect regulator to bottled gas.
 Do not exceed Maximum primary pressure rating.

CAUTION:

REGULATOR PRESSURE ADJUSTMENT – The working range of knob adjustment is designed to permit outlet pressures within their full range. Pressure adjustment beyond this range is also possible because the knob is not a limiting device. This is a common characteristic of most industrial regulators, and limiting devices may be obtained only by special design. For best performance, regulated pressure should always be set by increasing the pressure up to the desired setting.



Inches (mm)

General

Dial

Pilot

Proportional

Precision

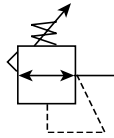
Water

K

Regulator Products

15R Regulators - Economy

- Solid control piston with resilient seat for service-free operation
- Non-rising "locking" adjusting knob
- Compact, 3.30 inch (84 mm) high by 2.12 inch (54 mm) wide
- Easily serviced
- 1/4", 3/8" ports (NPT)



Port Size	Description	Part Number
1/4"	Without Gauge	15R113FB
1/4"	With Gauge	15R118FB
3/8"	Without Gauge	15R213FB
3/8"	With Gauge	15R218FB

NOTE: 1.218 Dia. (31 mm) hole required for panel mounting.

Operating information

Supply pressure (max):	0 to 250 psig (0 to 17.2 bar)	
Secondary pressure ranges	Standard	2 to 125 psig (0 to 8.6 bar)
	Medium	1 to 60 psig (0 to 4.1 bar)
	Medium	1 to 30 psig (0 to 1.7 bar)
	Low	1 to 15 psig (0 to 1 bar)
Operating temperature:	32°F to 125°F (0°C to 52°C)	
	Low temperature	-4°F to 125°F (-20°C to 52°C)
Flow capacity†:	High flow	1/4" 21 scfm (9.9 dm³/s, ANR)
		3/8" 28 scfm (13.2 dm³/s, ANR)
Gauge ports (2):	1/4 inch	
	(can be used at full flow)	
Weight:	0.5 lb (0.23 kg)	

† scfm = Standard cubic feet per minute at 100 psig inlet, 90 psig no flow secondary setting and 10 psig pressure drop.

Ordering Information:

15R	1	13	F	B
Port Size				Engineering Level
1/4 inch	1			B Current
3/8 inch	2			
		Pressure Range		Relief
		Without Gauge		F Relieving
		15 psig	12	G Non-Relieving
		30 psig	10	H Low Temp Relieving
		60 psig	11	J Low Temp Non-Relieving
		125 psig	13	
		With Gauge		
		15 psig	17	
		30 psig	15	
		60 psig	16	
		125 psig	18	

Most popular.



For inventory, lead times, and kit lookup, visit www.pdnplu.com

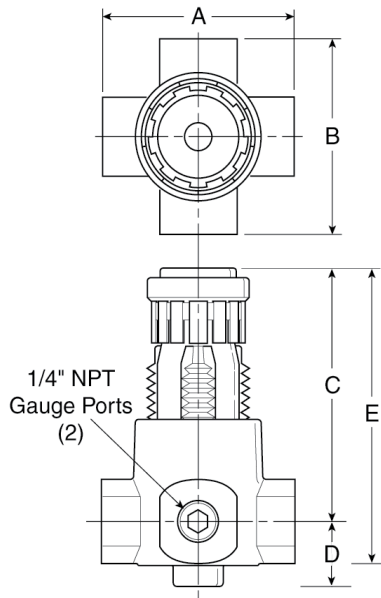
Material Specifications

Adjusting nut	Brass
Adjusting stem & spring	Steel
Body	Zinc
Bonnet, seat, piston & valve poppet	Plastic
Seals	Nitrile

Repair and Service Kits

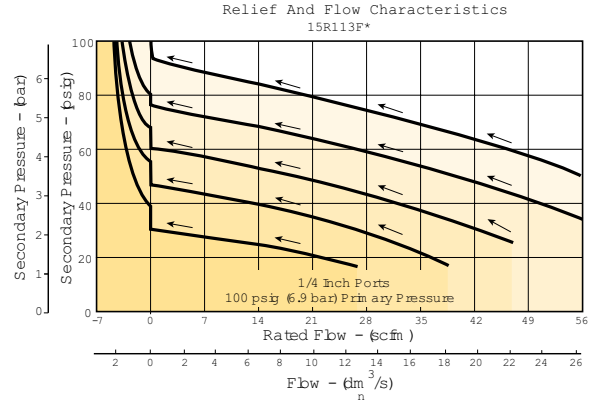
Body Service Kit – Unbalanced	PS424BP
Bonnet Assembly Kit	L01369
30 psig, 1/8" NPT (0 to 2.1 bar) gauge	K4515N18030
60 psig, 1/8" NPT (0 to 4.1 bar) gauge	K4515N18060
160 psig, 1/8" NPT (0 to 11.0 bar) gauge	K4515N18160
60 psig, 1/4" NPT (0 to 4.1 bar) gauge	K4520N14060
160 psig, 1/4" NPT (0 to 11.0 bar) gauge	K4520N14160
Mounting bracket kit* (Includes panel mount nut)	PS417BP
Panel mount nuts*, plastic	P78652
Panel mount nuts*, metal	P01531
Poppet / piston kit, unbalanced, non-relieving	PS428P
Poppet / piston kit, unbalanced, relieving	PS426P
Seal, unbalanced	PS454B
1- 15 psig spring (yellow)	P01176
1-30 psig spring (black)	P01175
1-60 psig spring (white)	P01174
2- 125 psig spring (gold)	P01173

* Tighten panel mount nut 2.8 to 3.4 Nm (25 to 30 in-lbs) of torque.

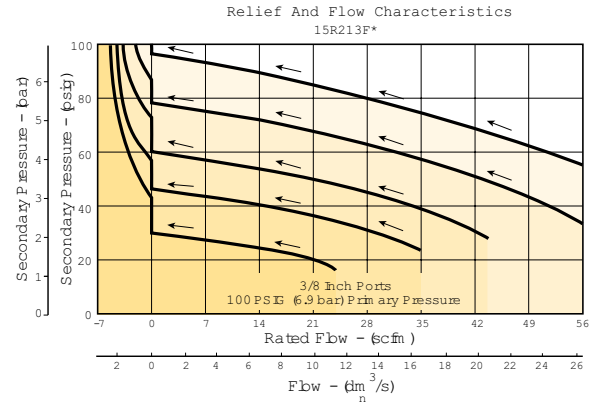


Flow Charts

1/4" Regulator



3/8" Regulator



⚠ WARNING

**Product rupture can cause serious injury.
 Do not connect regulator to bottled gas.
 Do not exceed Maximum primary pressure rating.**

CAUTION:
REGULATOR PRESSURE ADJUSTMENT – The working range of knob adjustment is designed to permit outlet pressures within their full range. Pressure adjustment beyond this range is also possible because the knob is not a limiting device. This is a common characteristic of most industrial regulators, and limiting devices may be obtained only by special design. For best performance, regulated pressure should always be set by increasing the pressure up to the desired setting.

General

Dial

Pilot

Proportional

Precision

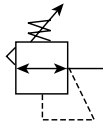
Water

K

Regulator Products

27R Regulators - Semi-Precision

- Fine adjustment sensitivity
- Good repeatability and minimal pressure drop
- High flow capacity
- Two 1/4" gauge ports
- Brass Poppet for long life
- Modular with 05 Series FRL
- Non-rising, removable knob
- Multiple porting options
- 1/4", 3/8" ports (NPT, BSPP, BSPT)



Operating information

Bleed rate:	0.033 scfm (0.016 dm ³ /s, ANR)
Effect of supply variation:	0.5 psig (0.04 bar) for 25 psig (1.7 bar) change P ¹
Relief capacity:	0.5 scfm (0.24 dm ³ /s, ANR) @ 5 psig (0.4 bar) increase P ²
Flow capacity [†] :	28 scfm (13.2 dm ³ /s, ANR) @ 100 psig (6.9 bar) P ¹ and 20 psig (1.4 bar) P ²
Inlet pressure (max):	250 psig (17.2 bar)
Temperature rating:	32°F to 175°F (0°C to 80°C)
Relief flow:	5.0 scfm (2.4 dm ³ /s, ANR)
Repeatability:	± .5 psig (±0.034 bar)
Response:	510 ms The valve will open to full flow and fill a volume of 100 in ³
Gauge ports (2):	1/4 inch
Weight:	1.0 lb (0.45 kg)

[†] scfm = Standard cubic feet per minute at 150 psig inlet, 90 psig no flow secondary setting and 5 psig pressure drop.

Ordering Information:

Port Size	Description	Part Number
1/4"	1- 15 psi w/out Gauge, Relieving	27R112AD
1/4"	0-60 psi w/out Gauge, Relieving	27R114AD
1/4"	2- 125 psi w/out Gauge, Relieving	27R113AD

NOTE: 1.53 Dia. (39 mm) hole required for panel mounting. Max panel thickness 1/4"

Most popular.



For inventory, lead times, and kit lookup, visit www.pdnplu.com

K14

Parker Hannifin Corporation
Pneumatic Division
Richland, Michigan
www.parker.com/pneumatics

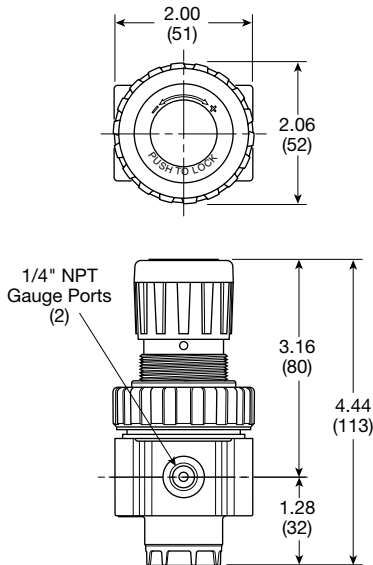
Semi-Precision Regulators

Material Specifications

Poppet	Brass
Bonnet	Plastic
Body	Zinc
Collar, knob	Plastic
Diaphragm	Nitrile
Bottom Cap	Plastic
Seals	Nitrile
Springs – poppet & control	Steel

Repair and Service Kits

Bonnet assembly kit	PS910P
Control knob	P0442001
1-1/2" dial face 30 psig (0 to 2.1 bar), gauge	K4515N14030
1-1/2" dial face 60 psig (0 to 4.1 bar), gauge	K4515N14060
1-1/2" dial face 160 psig (0 to 11.0 bar), gauge	K4515N14160
1-1/2" dial face 300 psig (0 to 20.7 bar), gauge	K4515N14300
2" dial face 60 psig (0 to 4.1 bar), gauge	K4520N14060
2" dial face 160 psig (0 to 11.0 bar), gauge	K4520N14160
2" dial face 300 psig (0 to 20.7 bar), gauge	K4520N14300
Mounting bracket kit	PS963P
Panel mount nut, metal	PS964P
Service kit	PS907P
1-30 psig spring	P04427
1-15 psig spring	P04428
0-60 psig spring	P04426
2-125 psig spring	P04425



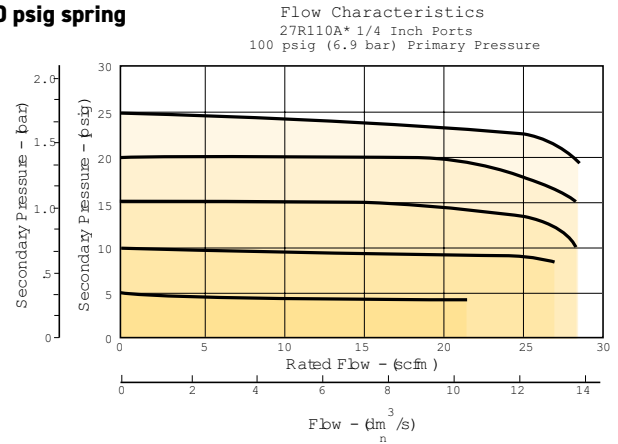
WARNING

**Product rupture can cause serious injury.
Do not connect regulator to bottled gas.
Do not exceed Maximum primary pressure rating.**

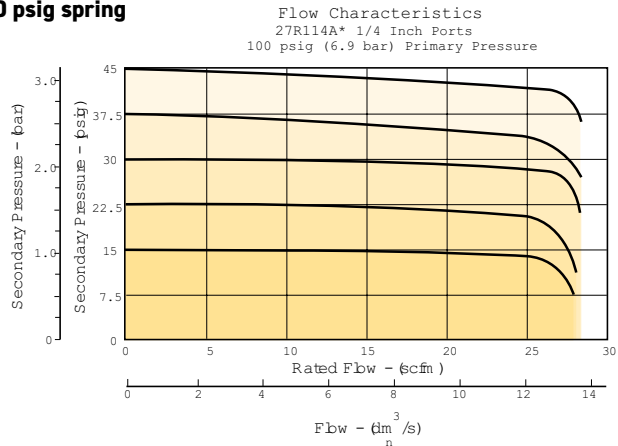
Air Preparation Products Regulator Products

Flow Charts

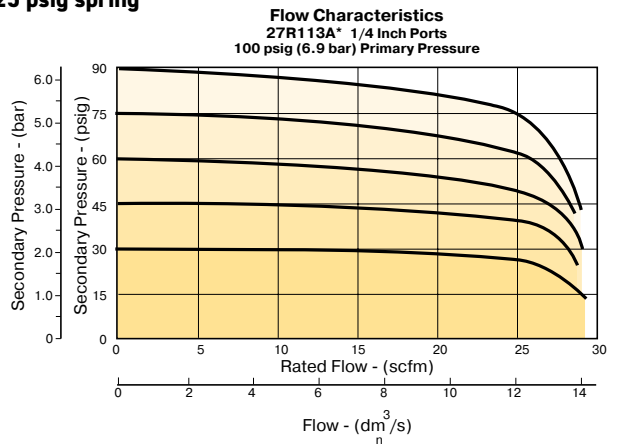
1/4" Regulator 30 psig spring



1/4" Regulator 60 psig spring



1/4" Regulator 125 psig spring



CAUTION:

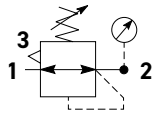
REGULATOR PRESSURE ADJUSTMENT – The working range of knob adjustment is designed to permit outlet pressures within their full range. Pressure adjustment beyond this range is also possible because the knob is not a limiting device. This is a common characteristic of most industrial regulators, and limiting devices may be obtained only by special design. For best performance, regulated pressure should always be set by increasing the pressure up to the desired setting.



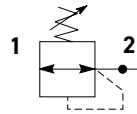
For inventory, lead times, and kit lookup, visit www.pdnplu.com

P31 Regulators - Mini

- Integral 1/4" ports (NPT, BSPP & BSPT)
- Robust but lightweight aluminum construction
- Secondary pressure ranges
- Secondary aspiration plus balanced poppet provides quick response and accurate pressure regulation.
- Relieving & non-relieving types
- Non-rising knob



Self relieving regulator with gauge



Non-relieving regulator

Operating information

Flow capacity*:	1/4	73 scfm (34 dm ³ /s, ANR)
Operating temperature†:		-4°F to 150°F (-20°C to 65.5°C)
Supply pressure (max):		300 psig (20 bar)
Adjusting range pressure:		30 psig (0-2 bar)
		60 psig (0-4 bar)
		125 psig (0-8 bar)
		232 psig (0-16 bar)
Weight:		0.37 lb (0.17 kg)

* Inlet pressure 145 psig (10 bar). Secondary pressure 100 psig (6.9 bar) and 14.5 psig (1 bar) pressure drop. .
 † Units with square gauges: 5°F to 150°F (-15°C to 65.5°C)

Gauge supplied with every part. Gauge can be installed on the front or back of the regulator. If no gauge is installed, both seal screws must be installed.

Port Size	Description (Relieving)	Gauge	Part Number
1/4"	125 psig (8 bar)	Square	P31RB92BN5P

Ordering Information:

P31RB

9

2

B

N

5

P

Basic Series

Global Modular Mini Regulator **P31RB**

Thread Type

BSPP	1
BSPT	2
NPT	9

Port Size

1/4	2
-----	---

Relief

Relieving	B
Non-Relieving	N
Reverse Flow - Relieving	R

Mounting

P Plastic Panel Mount Nut

Adjustment Range

With Square Gauge		
psig	Bar	MPa
1 = 30*	V = 2*	2 = 0.2*
3 = 60	S = 4	4 = 0.4
5 = 125	T = 8	6 = 0.8
7 = 232	W = 16	8 = 1.6

* Regulator comes with gauge respective to the adjustment range available.

Adjustment

N Non-Rising Knob

Most popular.



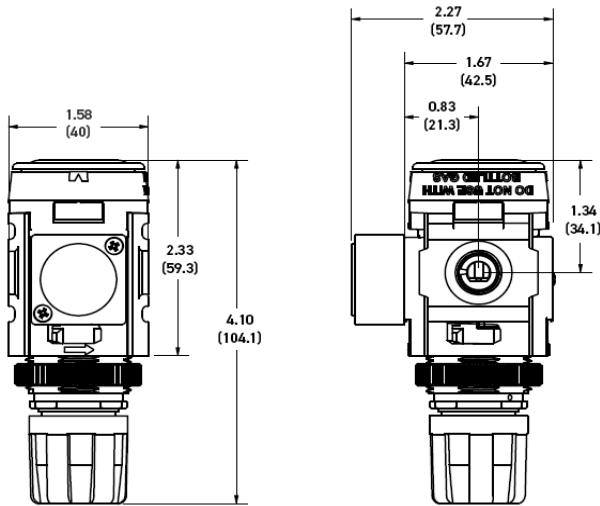
For inventory, lead times, and kit lookup, visit www.pdnplu.com

Material Specifications

Body	Aluminum
Adjustment knob	Acetal
Bonnet	Glass-filled nylon
Diaphragm assembly	Stainless steel / Nitrile
Valve assembly	Acetal/ Nitrile
Springs	Steel
Seals	Nitrile
Panel nut	Acetal
Bottom Cap	Glass-filled nylon

Repair and Service Kits

Panel mount nut - aluminum	P31KA00MM
Panel mount nut - plastic	P31KA00MP
Angle bracket (attaches via panel nut)	P31KB00MR
C-bracket (fits to body)	P31KA00MW
T-bracket with body connector	P31KA00MT
Body connector	P31KA00CB



NOTE: 1.20 in. (30mm) hole required for panel nut mounting.

⚠ WARNING

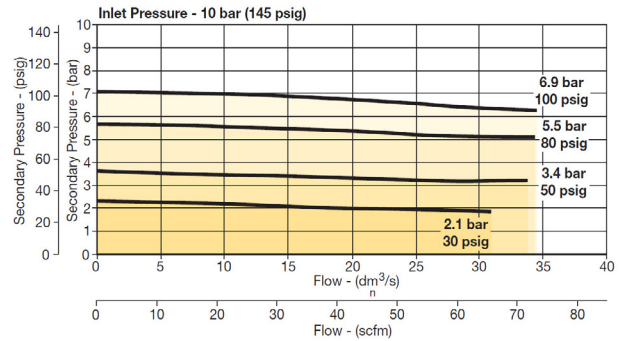
**Product rupture can cause serious injury.
 Do not connect regulator to bottled gas.
 Do not exceed Maximum primary pressure rating.**

CAUTION:

REGULATOR PRESSURE ADJUSTMENT – The working range of knob adjustment is designed to permit outlet pressures within their full range. Pressure adjustment beyond this range is also possible because the knob is not a limiting device. This is a common characteristic of most industrial regulators, and limiting devices may be obtained only by special design. For best performance, regulated pressure should always be set by increasing the pressure up to the desired setting.

Flow Charts

P31RB 1/4" Regulator



Gauges (*see note below)

Square flush mount gauge	0-060 psig	P31KA060XB
	0-160 psig	P31KA160XB
	0-290 psig	P31KA290XB
	0-4 bar	P31KA04BXB
	0-11 bar	P31KA11BXB
	0-20 bar	P31KA20BXB
	0-0.4 MPa	P31KA04MXB
	0-1.1 MPa	P31KA11MXB
Square flush mount gauge	0-2.0 MPa	P31KA20MXB
	0-4 bar	K4511SCR04B
	0-11 bar	K4511SCR11B
	0-60 psig	K4511SCR060
Square with adapter kit	0-160 psig	K4511SCR160
	0-4 bar	P6G-PR10040
	0-11 bar	P6G-PR10110
	0-60 psig	P6G-PR90060
1.00" Round 1/8" center back mount	0-160 psig	P6G-PR90160
	0-60 psig / 1-4 bar	K4510N18060
	0-160 psig / 0-11 bar	K4510N18160
40mm Round 1/8" center back mount (not for use with common port regulators)	0-30 psig / 0-2 bar	K4515N18030
	0-60 psig / 0-4 bar	K4515N18060
	0-160 psig / 0-11bar	K4515N18160

For best performance, regulated pressure should always be set by increasing the pressure up to the desired setting.

***For P31 Regulators with date code after November 2023 (4423 Date Code), please use these part numbers when ordering a replacement gauge.**



For inventory, lead times, and kit lookup, visit www.pdnplu.com

General

Dial

Pilot

Proportional

Precision

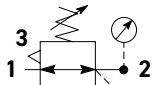
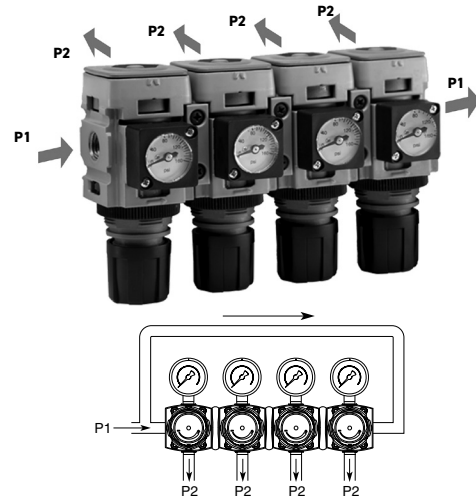
Water

K

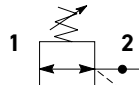
Regulator Products

P31 Common P1 Regulators - Mini

- Manifold style regulator with line pressure on both sides
- Pressure output is at front or rear
- Inlet port 1/4" (NPT, BSPP & BSPT)
- Working port 1/8"
- Robust construction
- Secondary pressure ranges
- Secondary aspiration plus balanced poppet provides quick response and accurate pressure regulation
- Relieving & non-relieving types
- Non-rising knob



Self relieving regulator with gauge



Non-relieving regulator

Operating information

Flow capacity*: 1/4 42 scfm (20 dm³/s, ANR)
 Operating temperature: -4°F to 150°F (-20°C to 65.5°C)
 Supply pressure (max): 300 psig (20 bar)
 Adjusting range pressure: 30 psig (0-2 bar)
 60 psig (0-4 bar)
 125 psig (0-8 bar)
 232 psig (0-16 bar)
 P1 port size (inlet/outlet) 1/4 NPT, BSPP, BSPT
 P2 regulated ports (2 ea.) 1/8 NPT, BSPP, BSPT
 Weight: 0.66 lb (0.30 kg)
 * Inlet pressure 145 psig (10 bar). Secondary pressure 91.3 psig (6.3 bar).

Port Size	Description (Relieving)	Gauge	Part Number
1/4"	125 psig (8 bar)	None	P31HB92BNNP
1/4"	125 psig (8 bar)	Square	P31HB92BN5P

Ordering Information:

P31HB 9 2 B N 5 P

Basic Series Global Modular Mini P31HB Common Regulator	Thread type BSPP 1 BSPT 2 NPT 9	Mounting P Plastic Panel Mount Nut
Port size † 1/4 2 † Working port 1/8".	Relief Relieving B Non-Relieving N Reverse Flow-Relieving R	Adjustment Range
	Adjustment N Non-Rising Knob	With Square Gauge
		psig bar
		1 = 30* V = 2*
		3 = 60 S = 4
		5 = 125 T = 8
		* Regulator comes with gauge respective to the adjustment range selected.
		Without Gauge
		Z 30 psig; 2 bar; 0.2 MPa
		M 60 psig; 4 bar; 0.4 MPa
		G 125 psig; 8 bar; 0.8 MPa
		J 232 psig; 16 bar; 1.6 MPa
		Y 30 psig; 2 bar; 0.2 MPa
		L 60 psig; 4 bar; 0.4 MPa
		N 125 psig; 8 bar; 0.8 MPa
		H 232 psig; 16 bar; 1.6 MPa

Most popular.



For inventory, lead times, and kit lookup, visit www.pdnplu.com

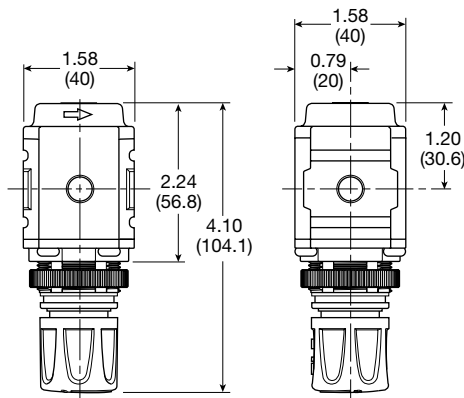
Mini Common P1 Regulators

Materials of Construction

Body	Aluminum
Adjustment knob	Acetal
Bonnet	Glass-filled PBT
Diaphragm assembly	Brass / Nitrile
Valve assembly	Brass / Nitrile

Repair and Service Kits

Diaphragm repair kit - relieving	P31KB00RB
Diaphragm repair kit - non-relieving	P31KB00RC
Panel mount nut - aluminum	P31KA00MM
Panel mount nut - plastic	P31KA00MP
Angle bracket (attaches via panel nut)	P31KB00MR
T-bracket with body connector	P31KA00MT
Body connector	P31KA00CB



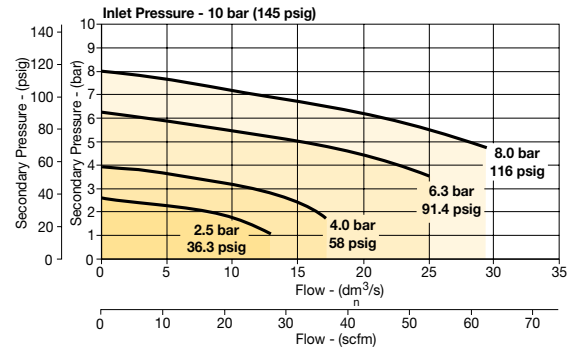
Inches (mm)

NOTE: 1.20 in. (30mm) hole required for panel nut mounting.

Air Preparation Products Regulator Products

Flow Charts

1/4 Common Regulator



⚠ WARNING

**Product rupture can cause serious injury.
Do not connect regulator to bottled gas.
Do not exceed Maximum primary pressure rating.**

CAUTION:

REGULATOR PRESSURE ADJUSTMENT – The working range of knob adjustment is designed to permit outlet pressures within their full range. Pressure adjustment beyond this range is also possible because the knob is not a limiting device. This is a common characteristic of most industrial regulators, and limiting devices may be obtained only by special design. For best performance, regulated pressure should always be set by increasing the pressure up to the desired setting.

Gauges

Square with adapter kit	0-4 bar	P6G-PR10040
	0-11 bar	P6G-PR10110
	0-60 psig	P6G-PR90060
	0-160 psig	P6G-PR90160
1.00" round 1/8" center back mount	0-60 psig / 0-4 bar	K4510N18060
	0-160 psig / 0-11 bar	K4510N18160

For best performance, regulated pressure should always be set by increasing the pressure up to the desired setting.

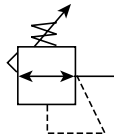
General
 Dial
 Pilot
 Proportional
 Precision
 Water
 K
 Regulator Products



For inventory, lead times, and kit lookup, visit www.pdnplu.com

05R Regulators - Economy

- Secondary aspiration plus balanced poppet provides quick response and accurate pressure regulation.
- Rolling diaphragm for extended life.
- Removable non-rising knob for panel mounting and tamper resistance.
- Easily serviced.
- Reverse Flow.
- 1/4", 3/8" ports (NPT, BSPP)



Port Size	Description	Part Number
1/4"	Without Gauge	05R113A*
1/4"	With 160 Psi Gauge	05R118A*
3/8"	Without Gauge	05R213A*
3/8"	With 160 Psi Gauge	05R218A*

NOTE: 1.53 Dia. (39 mm) hole required for panel mounting.

Operating information

Supply pressure (max): 0 to 300 psig (0 to 20.7 bar)
 For secondary pressure ranges see charts next page.

Operating temperature: 32°F to 175°F (0°C to 80°C)

Flow capacity[†]:
 High flow 1/4" 30 scfm (14.2 dm³/s, ANR)
 3/8" 40 scfm (18.9 dm³/s, ANR)

Gauge ports (2): 1/4 inch

Weight: 1.1 lb (0.49 kg)

[†] scfm = Standard cubic feet per minute at 100 psig inlet, 90 psig no flow secondary setting and 10 psig pressure drop.

Ordering Information:

05R

Port Size	
1/4 inch	1
3/8 inch	2

1

13

Pressure Range	
Without Gauge	
60 psig	11
125 psig	13
200 psig	14
With Gauge*	
60 psig	16
125 psig	18
200 psig	19

* Includes 1-1/2" dial face gauge.

A

Relief	
A	Relieving

D

Engineering Level	
D	Current

Blank

Port Type	
Blank	NPT

 Most popular.



For inventory, lead times, and kit lookup, visit www.pdnplu.com

K20

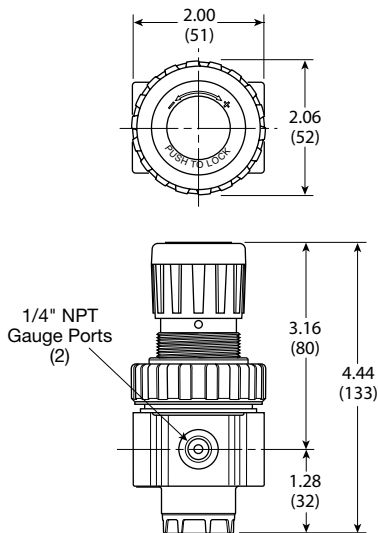
Parker Hannifin Corporation
 Pneumatic Division
 Richland, Michigan
www.parker.com/pneumatics

Material Specifications

Adjusting stem	Brass
Bonnet	Plastic
Body	Zinc
Collar, Knob	Plastic
Diaphragm	Nitrile
Poppet & cap	Plastic
Seals	Nitrile
Springs – poppet & control	Steel

Repair and Service Kits

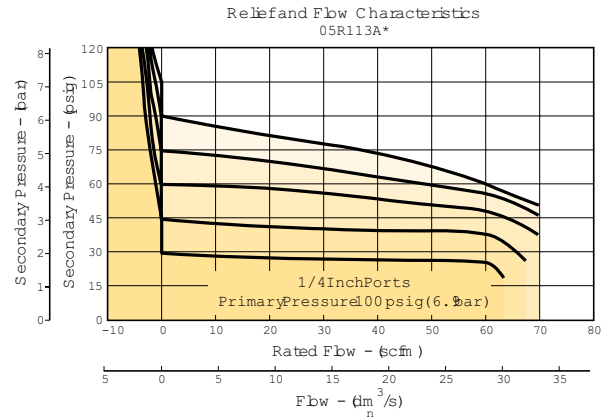
Bonnet assembly kit PS915P	
Control knob	P04420
1-1/2" dial face 30 psig (0 to 2.1 bar), gauge	K4515N14030
1-1/2" dial face 60 psig (0 to 4.1 bar), gauge	K4515N14060
1-1/2" dial face 160 psig (0 to 11.0 bar), gauge	K4515N14160
1-1/2" dial face 300 psig (0 to 20.7 bar), gauge	K4515N14300
2" dial face 60 psig (0 to 4.1 bar), gauge	K4520N14060
2" dial face 160 psig (0 to 11.0 bar), gauge	K4520N14160
2" dial face 300 psig (0 to 20.7 bar), gauge	K4520N14300
Mounting bracket kit	PS963P
Panel mount nut – metal	PS964P
1-30 psig spring	P04427
1-60 psig spring	P04426
2-125 psig spring	P04425
2-200 psig spring	P02934
Relieving service kit	PS908P



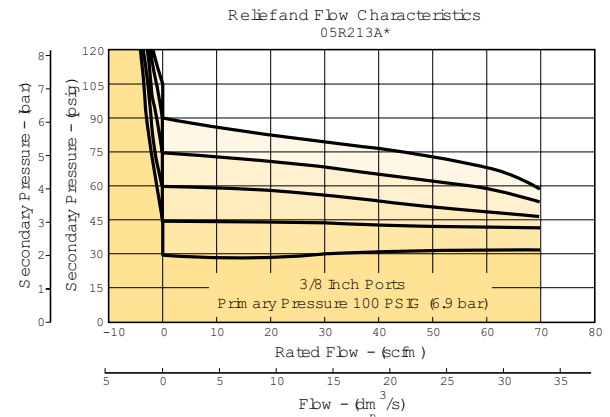
Inches (mm)

Flow Charts

1/4" Regulator



3/8" Regulator



⚠ WARNING

**Product rupture can cause serious injury.
 Do not connect regulator to bottled gas.
 Do not exceed Maximum primary pressure rating.**

CAUTION:

REGULATOR PRESSURE ADJUSTMENT – The working range of knob adjustment is designed to permit outlet pressures within their full range. Pressure adjustment beyond this range is also possible because the knob is not a limiting device. This is a common characteristic of most industrial regulators, and limiting devices may be obtained only by special design. For best performance, regulated pressure should always be set by increasing the pressure up to the desired setting.

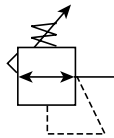
General
Dial
Pilot
Proportional
Precision
Water
K
Regulator Products



For inventory, lead times, and kit lookup, visit www.pdnplu.com

06R Regulators - Compact

- Secondary aspiration plus balanced poppet provides quick response and accurate pressure regulation
- Rolling diaphragm for extended life
- Two high flow 1/4" gauge ports can be used as additional outlets
- Easily serviced
- Removable non-rising knob for panel mounting and tamper resistance
- 1/4", 3/8", 1/2" ports (NPT, BSPP)



Port Size	Description	Part Number
1/4"	Without Gauge	06R113AC
1/4"	With 160 Psi Gauge	06R118AC
3/8"	Without Gauge	06R213AC
3/8"	With 160 Psi Gauge	06R218AC
1/2"	Without Gauge	06R313AC
1/2"	With 160 Psi Gauge	06R318AC

NOTE: 2.0 Dia. (51 mm) hole required for panel mounting.

Operating information

Supply pressure (max):	250 psig (17.2 bar)	
Secondary pressure ranges:		
Standard	2 to 125 psig (0 to 8.6 bar)	
Low	1 to 60 psig (0 to 4.1 bar)	
High	5 to 250 psig (0.4 to 17.2 bar)	
Operating temperature:	32°F to 175°F (0°C to 80°C)	
Flow capacity [†] :		
High flow	1/4"	53 scfm (25 dm ³ /s, ANR)
	3/8"	60 scfm (28.3 dm ³ /s, ANR)
	1/2"	75 scfm (35.4 dm ³ /s, ANR)
Gauge ports (2):	1/4 inch (can be used as additional full flow 1/4 inch outlet ports)	
Weight:	1.6 lb (0.7 kg)	

[†] scfm = Standard cubic feet per minute at 100 psig inlet, 90 psig no flow secondary setting and 10 psig pressure drop.

Ordering Information:

06R	1	13	A	C			
------------	----------	-----------	----------	----------	--	--	--

Port Size	
1/4 inch	1
3/8 inch	2
1/2 inch	3

Pressure Range	
Without Gauge	
60 psig	11
125 psig	13
250 psig	15
With Gauge*	
60 psig	16
125 psig	18
250 psig	21

* Includes 1-1/2" dial face gauge.

Port Type	
Blank	NPT
1*	BSPP

* 1/4 & 3/8 inch meet ISO 1179-1 Standard.

Preset / Pressure Limited	
Blank	None
XXX*	Preset Pressure

* Available preset / pressure limited range, 10 to 90 psig in 5 psig increments. For higher pressures, contact factory.
(Example: 065 = 65 psig)

Engineering Level	
Current	C

Relief	
Relieving	A
Non-Relieving	L

Options	
Blank	No Option
L†	Preset Non-Adjustable
P†	Preset Adjustable
R	Reverse Flow

† Inlet Pressure is 100 psig. For other pressures, contact factory.

Spring Type by Preset / Limited Pressure:

For Preset / Limited Pressure 26 to 50 use 60 psi spring

For Preset / Limited Pressure 51 to 90 use 125 psi spring

☐ Most popular.



For inventory, lead times, and kit lookup, visit www.pdnplu.com

K21a

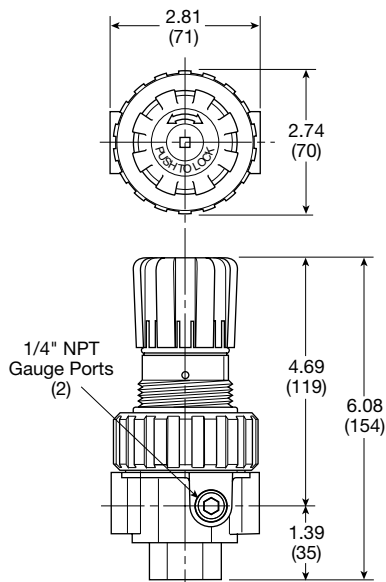
Parker Hannifin Corporation
 Pneumatic Division
 Richland, Michigan
www.parker.com/pneumatics

Material Specifications

Adjusting stem	Steel
Body	Zinc
Bonnet, piston stem, valve poppet & cap	Plastic
Collar, knob	Plastic
Diaphragm	Nitrile
Seals	Nitrile
Spring, poppet	Stainless
Spring, control	Steel

Repair and Service Kits

Bonnet assembly kit	PS715P
Control knob	P04069B
2" dial face 60 psig (0 to 4.1 bar), gauge	K4520N14060
2" dial face 160 psig (0 to 11.0 bar), gauge	K4520N14160
2" dial face 300 psig (0 to 20.7 bar), gauge	K4520N14300
1-3/4" digital round face 160 psig (0 to 11.0 bar) gauge	K4517N14160D
Mounting bracket kit (includes panel mount nut)	PS707P
Panel mount nut, plastic	P04082
Panel mount nut, metal	P04079B
Reverse flow service conversion kit, relieving	PS708RP
Relieving (includes poppet)	PS708P
Non-relieving (includes poppet)	PS709P
1-30 psig spring	P01698
1-60 psig spring	P04062
2-125 psig spring	P04063
5-250 psig spring	P04064
Tamperproof kit	PS737P

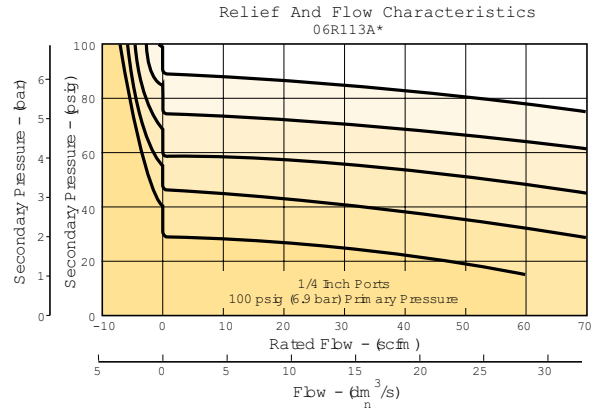


Inches (mm)

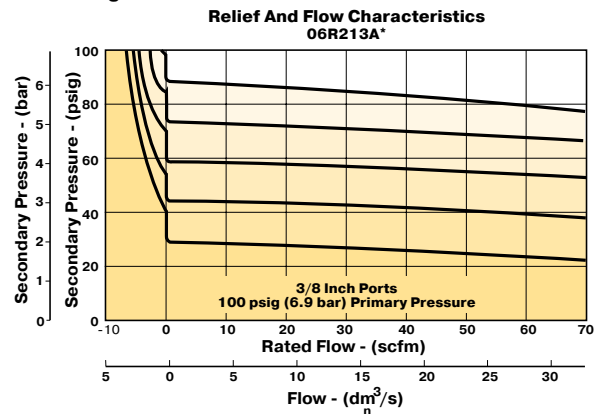
**Air Preparation Products
 Regulator Products**

Flow Charts

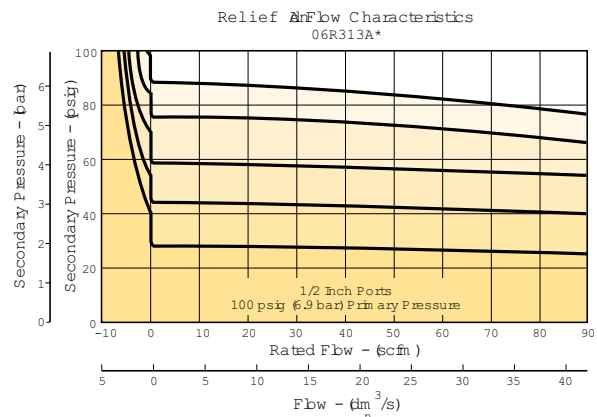
06R 1/4" Regulator



06R 3/8" Regulator



06R 1/2" Regulator



WARNING
 Product rupture can cause serious injury.
 Do not connect regulator to bottled gas.
 Do not exceed Maximum primary pressure rating.

CAUTION:

REGULATOR PRESSURE ADJUSTMENT – The working range of knob adjustment is designed to permit outlet pressures within their full range. Pressure adjustment beyond this range is also possible because the knob is not a limiting device. This is a common characteristic of most industrial regulators, and limiting devices may be obtained only by special design. For best performance, regulated pressure should always be set by increasing the pressure up to the desired setting.

General

Dial

Pilot

Proportional

Precision

Water

K

Regulator Products



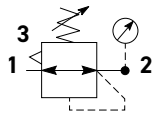
For inventory, lead times, and kit lookup, visit www.pdnplu.com

K21b

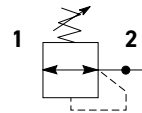
Parker Hannifin Corporation
 Pneumatic Division
 Richland, Michigan
www.parker.com/pneumatics

P32 Regulators - Compact

- Integral 1/4", 3/8" or 1/2" ports (NPT, BSPP & BSPT)
- Robust but lightweight aluminum construction
- Secondary pressure ranges
- Secondary aspiration plus balanced poppet provides quick response and accurate pressure regulation
- Relieving & non-relieving types
- Non-rising knob
- Available T-handle



Self relieving regulator with gauge



Non-relieving regulator

Port Size	Description (Relieving)	Gauge	Part Number
1/4"	125 psig (8 bar)	None	P32RB92BNNP
1/4"	125 psig (8 bar)	Round	P32RB92BNGP
3/8"	125 psig (8 bar)	None	P32RB93BNNP
3/8"	125 psig (8 bar)	Round	P32RB93BNGP
1/2"	125 psig (8 bar)	None	P32RB94BNNP
1/2"	125 psig (8 bar)	Round	P32RB94BNGP

Operating information

Flow capacity*:	148 scfm (70 dm ³ /s, ANR)
1/4	165 scfm (78 dm ³ /s, ANR)
3/8, 1/2	
Operating temperature:	-13°F to 150°F (-25°C to 65.5°C)
Supply pressure (max):	300 psig (20 bar)
Adjusting range pressure:	30 psig (0-2 bar) 60 psig (0-4 bar) 125 psig (0-8 bar) 250 psig (0-17 bar)
Gauge port (2 each)	1/4 NPT, BSPP, BSPT
Weight:	0.90 lb (0.41 kg)

* Inlet pressure 145 psig (10 bar). Secondary pressure 91.3 psig (6.3 bar).

Ordering Information:

P32RB	9	2	B	N	G	P																												
Basic Series Global Modular Compact Regulator P32RB	Thread type BSPP 1 BSPT 2 NPT 9	Port Size 1/4 2 3/8 3 1/2 4	Relief Relieving B Non-Relieving N	Adjustment N Non-Rising Knob T T-Handle	Mounting P Plastic Panel Mount Nut	Adjustment Range																												
						<table border="1"> <thead> <tr> <th colspan="2">With Square Gauge</th> <th colspan="2">With Round Gauge</th> </tr> <tr> <th>psig</th> <th>bar</th> <th>Z</th> <th>M</th> </tr> </thead> <tbody> <tr> <td>1 = 30*</td> <td>V = 2*</td> <td>30 psig; 2 bar; 0.2 MPa</td> <td>60 psig; 4 bar; 0.4 MPa</td> </tr> <tr> <td>3 = 60</td> <td>S = 4</td> <td>G 125 psig; 8 bar; 0.8 MPa</td> <td>J 250 psig; 17 bar; 1.7 MPa</td> </tr> <tr> <td>5 = 125</td> <td>T = 8</td> <td colspan="2">Without Gauge</td> </tr> <tr> <td colspan="2"></td> <td>Y 30 psig; 2 bar; 0.2 MPa</td> <td>L 60 psig; 4 bar; 0.4 MPa</td> </tr> <tr> <td colspan="2"></td> <td>N 125 psig; 8 bar; 0.8 MPa</td> <td>H 250 psig; 17 bar; 1.7 MPa</td> </tr> </tbody> </table>	With Square Gauge		With Round Gauge		psig	bar	Z	M	1 = 30*	V = 2*	30 psig; 2 bar; 0.2 MPa	60 psig; 4 bar; 0.4 MPa	3 = 60	S = 4	G 125 psig; 8 bar; 0.8 MPa	J 250 psig; 17 bar; 1.7 MPa	5 = 125	T = 8	Without Gauge				Y 30 psig; 2 bar; 0.2 MPa	L 60 psig; 4 bar; 0.4 MPa			N 125 psig; 8 bar; 0.8 MPa	H 250 psig; 17 bar; 1.7 MPa
With Square Gauge		With Round Gauge																																
psig	bar	Z	M																															
1 = 30*	V = 2*	30 psig; 2 bar; 0.2 MPa	60 psig; 4 bar; 0.4 MPa																															
3 = 60	S = 4	G 125 psig; 8 bar; 0.8 MPa	J 250 psig; 17 bar; 1.7 MPa																															
5 = 125	T = 8	Without Gauge																																
		Y 30 psig; 2 bar; 0.2 MPa	L 60 psig; 4 bar; 0.4 MPa																															
		N 125 psig; 8 bar; 0.8 MPa	H 250 psig; 17 bar; 1.7 MPa																															

* Regulator comes with gauge respective to the adjustment range selected.

Most popular.



For inventory, lead times, and kit lookup, visit www.pdnplu.com

K22

Parker Hannifin Corporation
 Pneumatic Division
 Richland, Michigan
www.parker.com/pneumatics

Material Specifications

Body	Aluminum
Adjustment knob	Acetal
Bonnet	Glass-filled nylon
Diaphragm assembly	Nitrile / Zinc
Valve assembly	Brass / Nitrile
Springs	Steel, stainless steel
Seals	Nitrile
Panel nut	Acetal

Repair and Service Kits

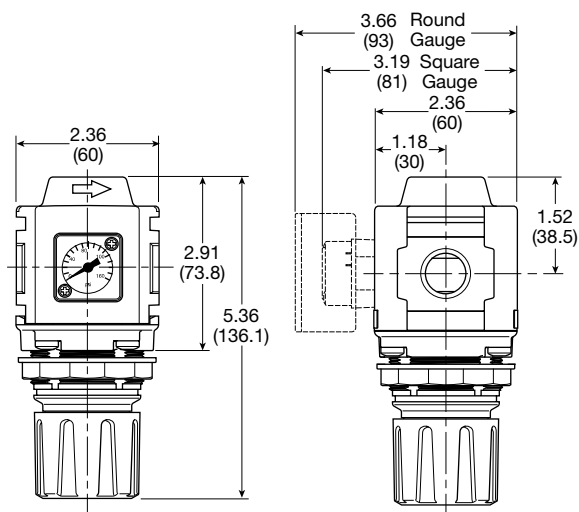
Diaphragm repair kit - relieving	P32KB00RB
Diaphragm repair kit - non-relieving	P32KB00RC
Panel mount nut - aluminum	P32KA00MM
Panel mount nut - plastic	P32KA00MP
Angle bracket (attaches via panel nut)	P32KB00MR
T-bracket with body connector	P32KA00MT
T-bracket	P32KA00MB
Body connector	P32KA00CB

WARNING

**Product rupture can cause serious injury.
 Do not connect regulator to bottled gas.
 Do not exceed Maximum primary pressure rating.**

CAUTION:

REGULATOR PRESSURE ADJUSTMENT – The working range of knob adjustment is designed to permit outlet pressures within their full range. Pressure adjustment beyond this range is also possible because the knob is not a limiting device. This is a common characteristic of most industrial regulators, and limiting devices may be obtained only by special design. For best performance, regulated pressure should always be set by increasing the pressure up to the desired setting.

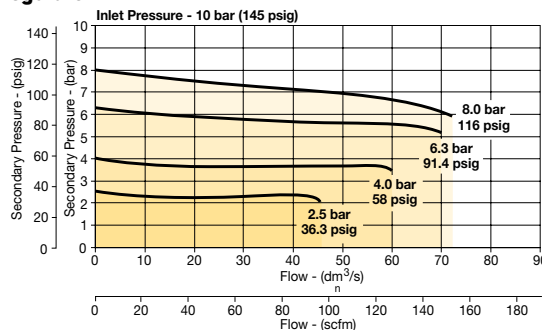


Inches (mm)

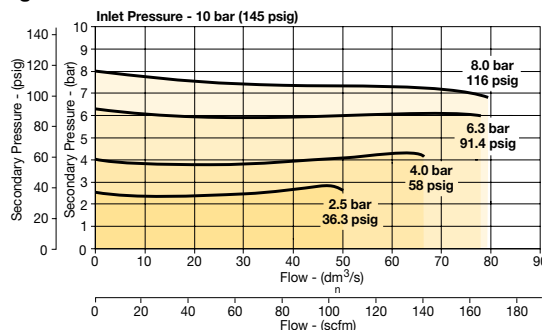
NOTE: 1.90 in. (48mm) hole required for panel nut mounting.

Flow Charts

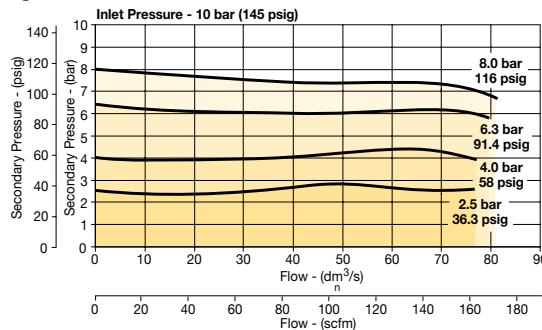
1/4 Regulator



3/8 Regulator



1/2 Regulator



Gauges

Square flush mount gauge	0-4 bar	K4511SCR04B
	0-11 bar	K4511SCR11B
	0-60 psig	K4511SCR060
	0-160 psig	K4511SCR160
Square with adapter kit	0-4 bar	P6G-PR10040
	0-11 bar	P6G-PR10110
	0-60 psig	P6G-PR90060
	0-160 psig	P6G-PR90160
50mm (2") round 1/4" center back mount	0-30 psig / 0-2 bar	K4520N14030
	0-60 psig / 0-4 bar	K4520N14060
	0-160 psig / 0-11 bar	K4520N14160
	0-300 psig / 0-20 bar	K4520N14300

For best performance, regulated pressure should always be set by increasing the pressure up to the desired setting.

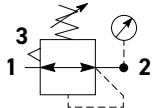
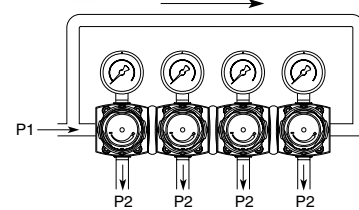


For inventory, lead times, and kit lookup, visit www.pdnplu.com

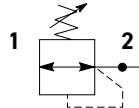
General
 Dial
 Pilot
 Proportional
 Precision
 Water
K
 Regulator Products

P32 Common - P1 Regulator - Compact

- Manifold style regulator with line pressure on both sides.
- Pressure output is at front or rear.
- Inlet ports 1/4", 3/8" or 1/2" (NPT, BSPP & BSPT)
- Working port 1/4"
- Robust construction
- Secondary pressure ranges
- Secondary aspiration plus balanced poppet provides quick response and accurate pressure regulation
- Relieving & non-relieving types
- Non-rising knob



Self relieving regulator with gauge



Non-relieving regulator

Port Size	Description (Relieving)	Gauge	Part Number
1/4"	125 psig (8 bar)	None	P32HB92BNNP
3/8"	125 psig (8 bar)	None	P32HB93BNNP
1/2"	125 psig (8 bar)	None	P32HB94BNNP

Operating information

Flow capacity*: 1/4, 3/8, 1/2 30 dm³/s (64 scfm)
 Operating temperature: -25°C to 65.5°C (-13°F to 150°F)
 Supply pressure (max): 300 psig (20 bar)
 Adjusting range pressure: 0 to 30 psig (0 to 2 bar)
 0 to 60 psig (0 to 4 bar)
 0 to 125 psig (0 to 8 bar)
 0 to 232 psig (0 to 16 bar)
 Gauge port (2 each): 1/4 NPT, BSPP, BSPT
 Weight: 0.50 lb (1.10 kg)
 * Inlet pressure 145 psig (10 bar). Secondary pressure 91.3 psig (6.3 bar).

Ordering Information:

P32HB 9 2 B N N P

Basic Series Global Modular Compact Regulator P32HB	Thread Type BSPP 1 BSPT 2 NPT 9	Mounting P Plastic Panel Mount Nut
Port Size † 1/4 2 3/8 3 1/2 4	Adjustment Range	
Relief Relieving B Non-Relieving N	With Square Gauge	With Round Gauge
	psig bar	Z 30 psig; 2 bar; 0.2 MPa
	1 = 30* V = 2*	M 60 psig; 4 bar; 0.4 MPa
	3 = 60 S = 4	G 125 psig; 8 bar; 0.8 MPa
	5 = 125 T = 8	J 250 psig; 17 bar; 1.7 MPa
		Without Gauge
		Y 30 psig; 2 bar; 0.2 MPa
		L 60 psig; 4 bar; 0.4 MPa
		N 125 psig; 8 bar; 0.8 MPa
		H 250 psig; 17 bar; 1.7 MPa
	Adjustment	
	N Non-Rising Knob	
	T T-Handle	

† Working port 1/4".

* Regulator comes with gauge respective to the adjustment range selected.

Most popular.



For inventory, lead times, and kit lookup, visit www.pdnplu.com

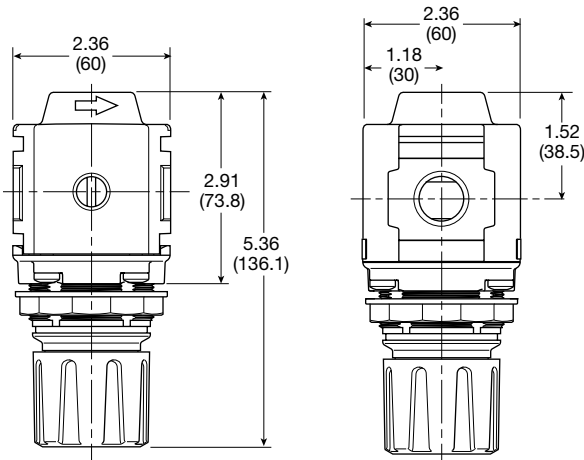
Compact Common P1 Precision Regulator

Material Specifications

Body	Aluminum
Adjustment knob	Acetal
Bonnet	Glass-filled nylon
Diaphragm assembly	Nitrile / zinc
Valve assembly	Brass / nitrile
Springs	Steel, stainless steel
Seals	Nitrile
Panel nut	Acetal

Repair and Service Kits

Diaphragm repair kit - relieving	P32KB00RB
Diaphragm repair kit - non-relieving	P32KB00RC
Panel mount nut - aluminum	P32KA00MM
Panel mount nut - plastic	P32KA00MP
Angle bracket (attaches via panel nut)	P32KB00MR
T-bracket with body connector	P32KA00MT
T-bracket	P32KA00MB
Body connector	P32KA00CB



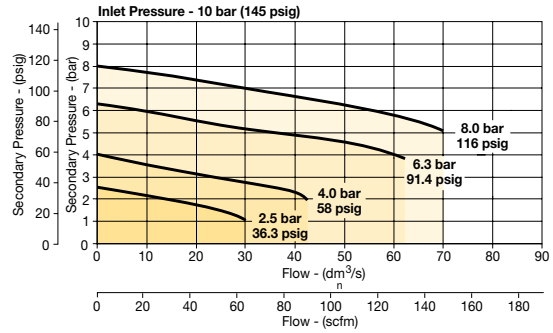
Inches (mm)

NOTE: 1.90 in. (48mm) hole required for panel nut mounting.

Air Preparation Products Regulator Products

Flow Charts

P32 Common Port Regulator



⚠ WARNING

**Product rupture can cause serious injury.
Do not connect regulator to bottled gas.
Do not exceed Maximum primary pressure rating.**

CAUTION:

REGULATOR PRESSURE ADJUSTMENT – The working range of knob adjustment is designed to permit outlet pressures within their full range. Pressure adjustment beyond this range is also possible because the knob is not a limiting device. This is a common characteristic of most industrial regulators, and limiting devices may be obtained only by special design. For best performance, regulated pressure should always be set by increasing the pressure up to the desired setting.

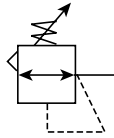
Gauges

Square flush mount gauge	0-4 bar	K4511SCR04B
	0-11 bar	K4511SCR11B
	0-60 psig	K4511SCR060
	0-160 psig	K4511SCR160
Square with adapter kit	0-4 bar	P6G-PR10040
	0-11 bar	P6G-PR10110
	0-60 psig	P6G-PR90060
	0-160 psig	P6G-PR90160
50mm (2") round 1/4" center back mount	0-30 psig / 0-2 bar	K4520N14030
	0-60 psig / 0-4 bar	K4520N14060
	0-160 psig / 0-11 bar	K4520N14160
	0-300 psig / 0-20 bar	K4520N14300

For best performance, regulated pressure should always be set by increasing the pressure up to the desired setting.

07R Regulators - Standard

- Secondary aspiration plus balanced poppet provides quick response and accurate pressure regulation
- Rolling diaphragm for extended life
- Two high flow 1/4" gauge ports can be used as additional outlets
- Easily serviced
- Removable non-rising knob for panel mounting and tamper resistance
- 1/2", 3/4" ports (NPT, BSPP)



Port Size	Description	Part Number
1/2"	Without Gauge	07R313AC
1/2"	With 160 Psi Gauge	07R318AC
3/4"	Without Gauge	07R413AC
3/4"	With 160 Psi Gauge	07R418AC

NOTE: 2.0 Dia. (51 mm) hole required for panel mounting.

Operating information

Supply pressure (max):	250 psig (17.2 bar)	
Secondary pressure ranges		
Standard	2 to 125 psig (0 to 8.6 bar)	
Low	1 to 60 psig (0 to 4.1 bar)	
High	5 to 250 psig (0.4 to 17.2 bar)	
Operating temperature:	32°F to 175°F (0°C to 80°C)	
Flow capacity†:		
High flow	1/2"	90 scfm (42.5 dm³/s, ANR)
	3/4"	90 scfm (42.5 dm³/s, ANR)
Gauge ports (2):	1/4 inch (can be used as additional full flow 1/4 inch outlet ports)	
Weight:	2.5 lb (1.1 kg)	

† scfm = Standard cubic feet per minute at 100 psig inlet, 90 psig no flow secondary setting and 10 psig pressure drop.

Ordering Information:

07R	3	13	A	C			
------------	----------	-----------	----------	----------	--	--	--

Port Size	
1/2 inch	3
3/4 inch	4

Pressure Range	
Without Gauge	
60 psig	11
125 psig	13
250 psig	15
With Gauge*	
60 psig	16
125 psig	18
250 psig	21

* Includes 1-1/2" dial face gauge.

Relief	
Relieving	A
Non-Relieving	L

Options	
Blank	No Option
L†	Preset Non-Adjustable
P†	Preset Adjustable
R	Reverse Flow

† Inlet Pressure is 100 psig. For other pressures, contact factory.

Preset / Pressure Limited	
Blank	None
XXX*	Preset Pressure

* Available preset / pressure limited range, 10 to 90 psig in 5 psig increments. For higher pressures, contact factory.
(Example: 065 = 65 psig)

Port Type	
Blank	NPT
1*	BSPP

* 1/4 & 3/8 inch meet ISO 1179-1 Standard.

Spring Type by Preset / Limited Pressure:
 For Preset / Limited Pressure 26 to 50 use 60 psi spring
 For Preset / Limited Pressure 51 to 90 use 125 psi spring

Engineering Level	
Current	C

Most popular.



For inventory, lead times, and kit lookup, visit www.pdnplu.com

K26

Parker Hannifin Corporation
 Pneumatic Division
 Richland, Michigan
www.parker.com/pneumatics

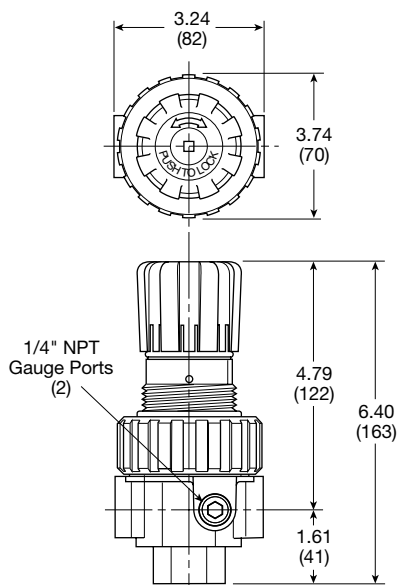
Catalog 0700P-8
Standard Regulators

Material Specifications

Adjusting stem	Steel
Body	Zinc
Bonnet, piston stem, valve poppet & cap	Plastic
Collar, knob	Plastic
Diaphragm	Nitrile
Seals	Nitrile
Spring, poppet	Stainless
Spring, control	Steel

Repair and Service Kits

Bonnet assembly kit	PS715P
Control knob	P04069B
2" dial face 60 psig (0 to 4.1 bar), gauge	K4520N14060
2" dial face 160 psig (0 to 11.0 bar), gauge	K4520N14160
2" dial face 300 psig (0 to 20.7 bar), gauge	K4520N14300
1-3/4" digital round face 160 psig (0 to 11.0 bar), gauge	K4517N14160D
Mounting bracket kit (includes panel mount nut)	PS807P
Panel mount nut, plastic	P04082
Panel Mount nut, metal	P04079B
Reverse flow service conversion kit, relieving	PS808RP
Relieving (includes poppet)	PS808P
Non-relieving (includes poppet)	PS809P
1-30 psig spring	P01698
1-60 psig spring	P04062
2-125 psig spring	P04063
5-250 psig spring	P04064
Tamperproof kit	PS737P

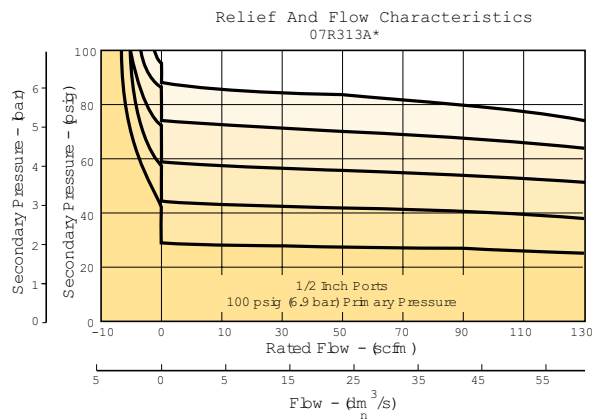


Inches (mm)

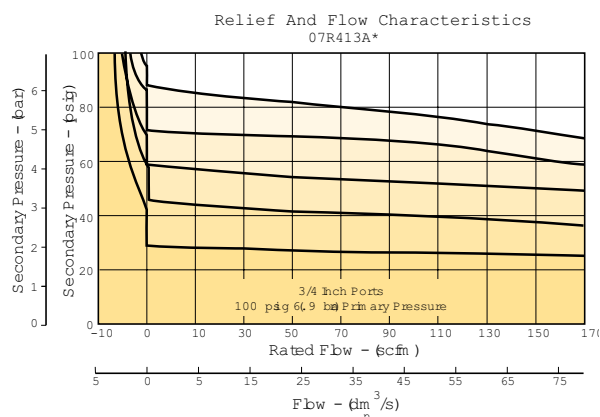
Air Preparation Products
Regulator Products

Flow Charts

1/2" Regulator



3/4" Regulator



⚠ WARNING

**Product rupture can cause serious injury.
 Do not connect regulator to bottled gas.
 Do not exceed Maximum primary pressure rating.**

CAUTION:

REGULATOR PRESSURE ADJUSTMENT – The working range of knob adjustment is designed to permit outlet pressures within their full range. Pressure adjustment beyond this range is also possible because the knob is not a limiting device. This is a common characteristic of most industrial regulators, and limiting devices may be obtained only by special design. For best performance, regulated pressure should always be set by increasing the pressure up to the desired setting.



For inventory, lead times, and kit lookup, visit www.pdnplu.com

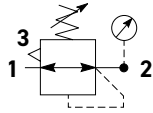
K27

Parker Hannifin Corporation
 Pneumatic Division
 Richland, Michigan
www.parker.com/pneumatics

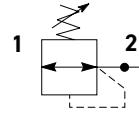
General
Dial
Pilot
Proportional
Precision
Water
K
Regulator Products

P33 Regulators - Standard

- Integral 1/2" or 3/4" ports (NPT, BSPP & BSPT)
- Robust but lightweight aluminum construction
- Secondary pressure ranges
- Secondary aspiration plus balanced poppet provides quick response and accurate pressure regulation
- Relieving & non-relieving types
- Non-rising knob



Self relieving regulator with gauge



Non-relieving regulator

Port Size	Description (Relieving)	Gauge	Part Number
1/2"	125 psig (8 bar)	None	P33RA94BNNP
1/2"	125 psig (8 bar)	Round	P33RA94BNGP
3/4"	125 psig (8 bar)	None	P33RA96BNNP
3/4"	125 psig (8 bar)	Round	P33RA96BNGP

Operating information

Flow capacity*:	1/2, 3/4	233 scfm (110 dm ³ /s, ANR)
Operating temperature:		-13°F to 150°F (-25°C to 65.5°C)
Supply pressure (max):		300 psig (20 bar)
Adjusting range pressure:		0 to 30 psig (0 to 2 bar) 0 to 60 psig (0 to 4 bar) 0 to 125 psig (0 to 8 bar) 0 to 250 psig (0 to 17 bar)
Gauge port (2 each):		1/4 NPT, BSPP, BSPT
Weight:		1.61 lb (0.62 kg)
* Inlet pressure 145 psig (10 bar). Secondary pressure 91.3 psig (6.3 bar).		

Ordering Information:

P33RA	9	6	B	N	G	P
Basic Series Global Modular Standard Regulator P33RA	Thread Type BSPP 1 BSPT 2 NPT 9	Port Size 1/2 4 3/4 6	Relief Relieving B Non-Relieving N Reverse Flow-Relieving R	Adjustment Non-Rising Knob N	Mounting P Plastic Panel Mount Nut	Adjustment Range With Round Gauge Z 30 psig; 2 bar; 0.2 MPa M 60 psig; 4 bar; 0.4 MPa G 125 psig; 8 bar; 0.8 MPa J 250 psig; 17 bar; 1.7 MPa Without Gauge Y 30 psig; 2 bar; 0.2 MPa L 60 psig; 4 bar; 0.4 MPa N 125 psig; 8 bar; 0.8 MPa H 250 psig; 17 bar; 1.7 MPa

Most popular.



For inventory, lead times, and kit lookup, visit www.pdnplu.com

K28

Parker Hannifin Corporation
 Pneumatic Division
 Richland, Michigan
www.parker.com/pneumatics

Material Specifications

Body	Aluminum
Adjustment knob	Acetal
Body cap	ABS
Bonnet	Glass-filled nylon
Diaphragm assembly	Nitrile / zinc
Valve assembly	Brass / nitrile
Springs	Steel, stainless steel
Seals	Nitrile
Panel nut	Acetal

Repair and Service Kits

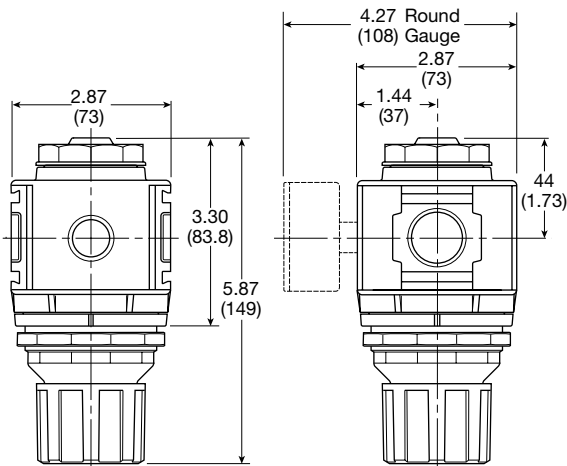
Diaphragm repair kit - relieving	P33KA00RB
Diaphragm repair kit - non-relieving	P33KA00RC
Panel mount nut - aluminum	P33KA00MM
Panel mount nut - plastic	P33KA00MP
Angle bracket (attaches via panel nut)	P33KA00MR
T-bracket with body connector	P32KA00MT
T-bracket	P32KA00MB
Body connector	P32KA00CB

⚠ WARNING

**Product rupture can cause serious injury.
 Do not connect regulator to bottled gas.
 Do not exceed Maximum primary pressure rating.**

CAUTION:

REGULATOR PRESSURE ADJUSTMENT – The working range of knob adjustment is designed to permit outlet pressures within their full range. Pressure adjustment beyond this range is also possible because the knob is not a limiting device. This is a common characteristic of most industrial regulators, and limiting devices may be obtained only by special design. For best performance, regulated pressure should always be set by increasing the pressure up to the desired setting.

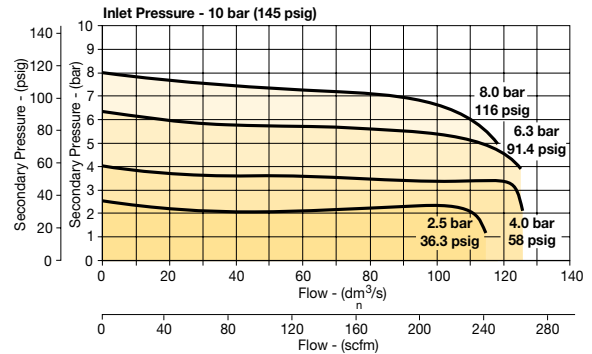


Inches (mm)

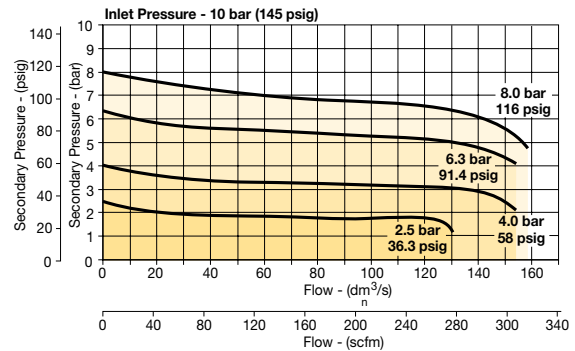
NOTE: 2.40 in. (61mm) hole required for panel nut mounting.

Flow Charts

1/2 Regulator



3/4 Regulator



Gauges

50mm (2") round	0-30 psig / 0-2 bar	K4520N14030
1/4" center back mount	0-60 psig / 0-4 bar	K4520N14060
	0-160 psig / 0-11 bar	K4520N14160
	0-300 psig / 0-20 bar	K4520N14300

For best performance, regulated pressure should always be set by increasing the pressure up to the desired setting.



For inventory, lead times, and kit lookup, visit www.pdnplu.com

General

Dial

Pilot

Proportional

Precision

Water

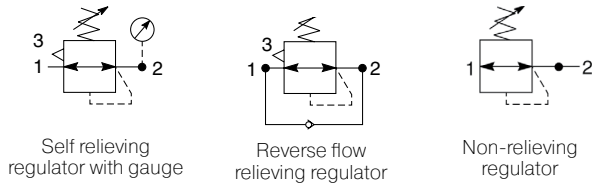
K

Regulator Products

General
Dial
Pilot
Proportional
Precision
Water
K
Regulator Products

P3Y Regulators

- Integral 3/4" or 1" ports (BSPP and NPT)
- Robust but lightweight aluminium construction
- Secondary pressure ranges 12 and 16 bar
- Rolling diaphragm for extended life
- Secondary aspiration plus rolling diaphragm provides quick response and accurate pressure regulation
- Optional tamperproof regulator padlock
- Reverse flow / relieving option
- Low temperature -40°C (-40°F)



Port Size	Description	Part Number
3/4"	174 psig relieving	P3YRA96BNEN
3/4"	174 psig relieving + pressure gauge	P3YRA96BNFN
1"	174 psig relieving	P3YRA98BNEN
1"	174 psig relieving + pressure gauge	P3YRA98BNFN

Operating information

Supply pressure (max)*:	254 psig (17.5 bar)
Operating temperature:	-40°F to 140°F (-40°C to 60°C)
Flow capacity†:	3/4" 380 scfm (179.3 dm³/s, ANR) 1" 550 scfm (259.6 dm³/s, ANR)
Fluid:	Compressed air
Gauge port (x2)	1/4"
Weight:	2.4 lb (1.08 kg)

† Inlet pressure 145 psig (10 bar) inlet pressure, 91.4 psig (6.3 bar) set pressure and 7.3 psig (0.5 bar) pressure drop.

* Air supply must be dry enough to avoid ice formation at temperatures below 35.6°F (2°C).

Ordering Information

Basic Series		Thread Type*		Port Size		Relief		Lockable		Adjustment Range	
Regulator	P3YRA	BSPP	1	3/4	6	B	Relieving	N	Standard	E	0 to 174 psi (0 to 12 bar), No Gauge
		NPT	9	1	8	R	Reverse Flow / Relieving	A†	Lockable	H	0 to 232 psi (0 to 16 bar), No Gauge
										F	0 to 174 psi (0 to 12 bar), Gauge
										J	0 to 232 psi (0 to 16 bar), Gauge

Notes:
 * For 1-1/2" ported unit, please order P3YKA*BCP port block kit separately.
 † Not field convertible.

Most popular.



For inventory, lead times, and kit lookup, visit www.pdnplu.com

K30

Parker Hannifin Corporation
 Pneumatic Division
 Richland, Michigan
www.parker.com/pneumatics

Regulators

Material specifications

Body	Aluminium
Bonnet	Glass filled polyamide
Regulator cover	ABS
Control knob	Glass filled polyamide
Valve	Brass / NBR
Seals	Nitrile NBR
Screws	Steel / zinc plated

Repair and Service Kits

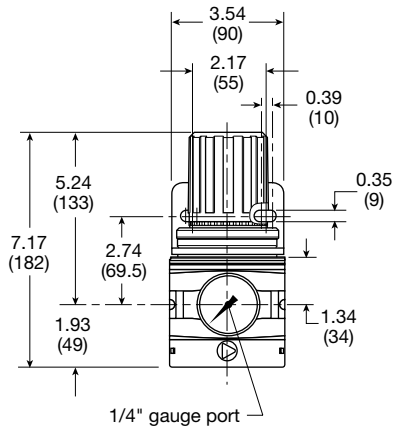
Angle bracket + metal lock ring	P3YKA00MS
Panel mounting nut	P3YKA00MM
Diaphragm kit (relieving type)	P3YKA00RR
Diaphragm kit (non-relieving type)	P3YKA00RN
0 to 160 psig (0 to 10 bar), gauge 1/4" port	K4520N14160
0 to 300 psig (0 to 20 bar), gauge 1/4" port	K4520N14300

WARNING

**Product rupture can cause serious injury.
Do not connect regulator to bottled gas.
Do not exceed Maximum primary pressure rating.**

CAUTION:

REGULATOR PRESSURE ADJUSTMENT – The working range of knob adjustment is designed to permit outlet pressures within their full range. Pressure adjustment beyond this range is also possible because the knob is not a limiting device. This is a common characteristic of most industrial regulators, and limiting devices may be obtained only by special design. For best performance, regulated pressure should always be set by increasing the pressure up to the desired setting.

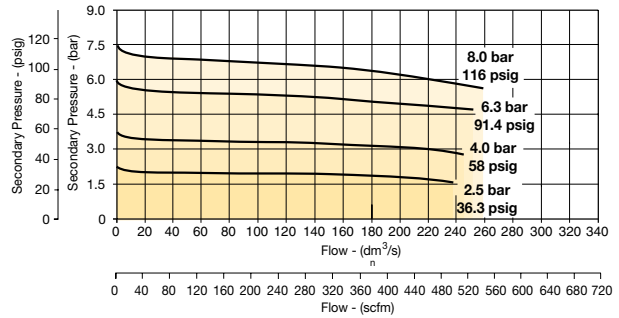


Inches (mm)

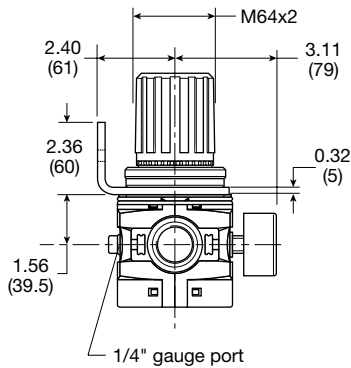
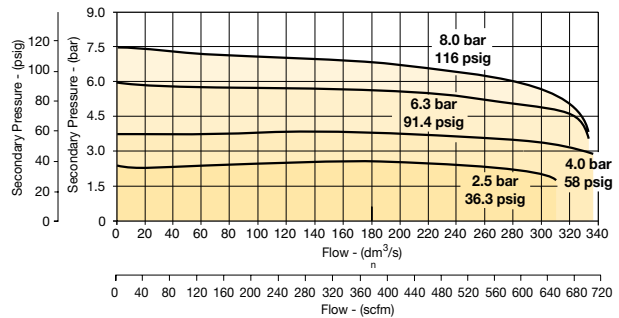
Air Preparation Products Regulator Products

Flow characteristics

(3/4") Regulator



(1") Regulator



General

Dial

Pilot

Proportional

Precision

Water

K

Regulator Products



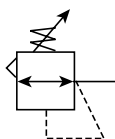
For inventory, lead times, and kit lookup, visit www.pdnplu.com

K31

Parker Hannifin Corporation
Pneumatic Division
Richland, Michigan
www.parker.com/pneumatics

P3NR Regulators - Hi-Flow

- Port blocks (PB) available to provide 1-1/2" port extension to 1" ported bodies
- Self relieving feature plus balanced poppet provides quick response and accurate pressure regulation
- Solid control piston for extended life
- 3/4", 1", 1-1/2" ports (NPT, BSPP)



Port Size	Description	Part Number
3/4"	Without Gauge	P3NRA96BNN
3/4"	With 160 Psi Gauge	P3NRA96BNG
1"	Without Gauge	P3NRA98BNN
1"	With 160 Psi Gauge	P3NRA98BNG
1-1/2" #	Without Gauge	P3NRA9PBNN
1-1/2" #	With 160 Psi Gauge	P3NRA9PBNG

1" port body with 1-1/2" port block.
 NOTE: 2.0 Dia. (51 mm) hole required for panel mounting.

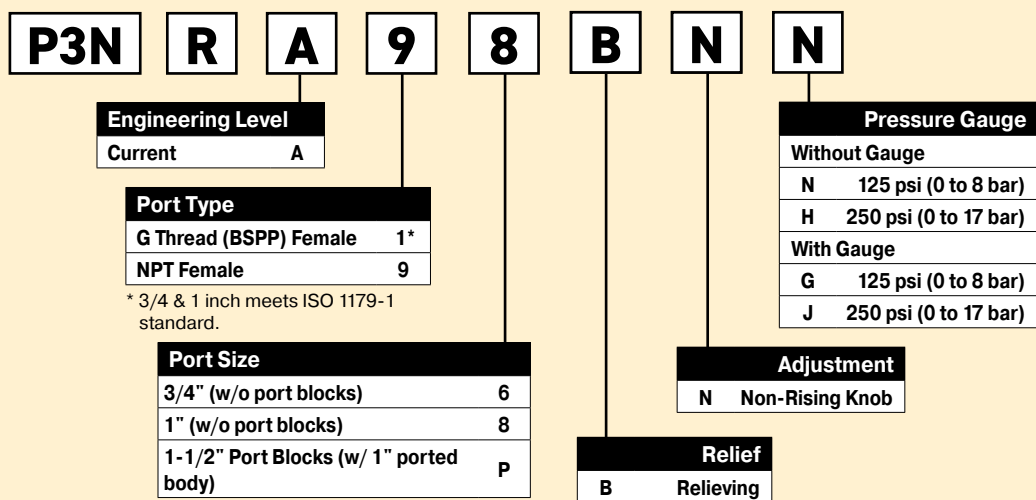
Operating information

Supply pressure (max):	250 psig (17.2 bar)
Operating temperature:	32°F to 175°F (0°C to 80°C)
Flow capacity [†] :	
High flow	3/4" 200 scfm (94.4 dm ³ /s, ANR)
	1" 300 scfm (141.6 dm ³ /s, ANR)
	1-1/2" 300 scfm (141.6 dm ³ /s, ANR)
Gauge ports (2):	1/4 inch (can be used as additional full flow 1/4 inch outlet ports)
Weight:	3/4", 1" 4.2 lb (1.9 kg)
	1-1/2" # 5.3 lb (2.4 kg)

[†] scfm = Standard cubic feet per minute at 100 psig inlet, 90 psig no flow secondary setting and 10 psig pressure drop.

1" port body with 1-1/2" port block

Ordering Information:



Note: BSPP ported units supplied using NPT ported bodies and BSPP port block kits.

Most popular.



For inventory, lead times, and kit lookup, visit www.pdnplu.com

K32

Parker Hannifin Corporation
 Pneumatic Division
 Richland, Michigan
www.parker.com/pneumatics

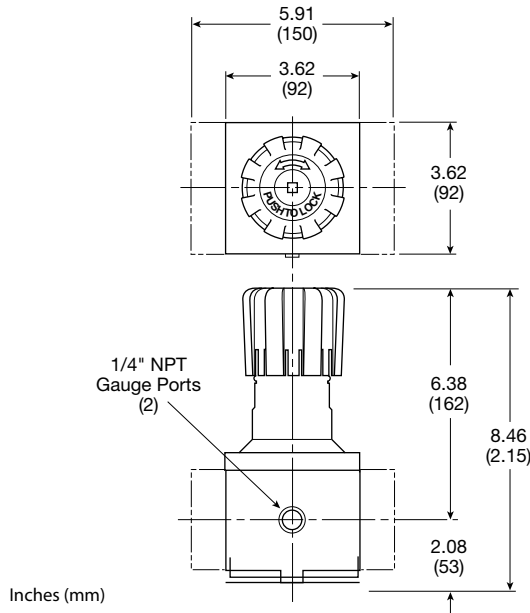
Material Specifications

Adjusting stem	Steel
Body	Aluminum
Bonnet	Aluminum
Knob	Plastic
Piston	Plastic
Poppet assembly	Brass
Seals	Nitrile
Springs, poppet & control	Steel

Repair and Service Kits

Control knob	P3NKA00PN
2" dial face 60 psig (0 to 4.1 bar), gauge	K4520N14060
2" dial face 160 psig (0 to 11.0 bar), gauge	K4520N14160
2" dial face 300 psig (0 to 20.7 bar), gauge	K4520N14300
1-3/4" digital round face 160 psig (0 to 11.0 bar), gauge	K4517N14160D
Mounting bracket kit*	P3NKA00MW
Relieving	P3NKA00RR
Non-relieving	P3NKA00RN
1-60 psig spring	C10A1304
2-125 psig spring	C10A1308
5-250 psig spring	C10A1317

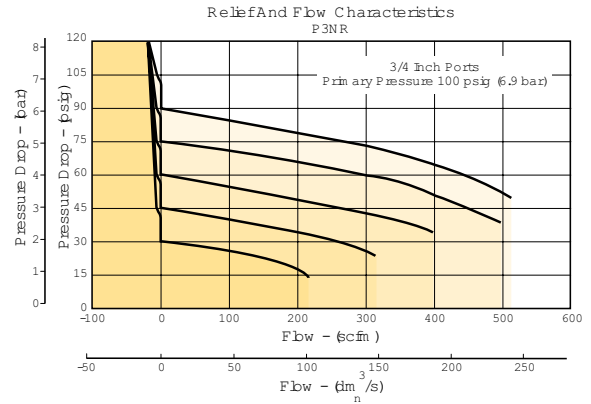
* If 1-1/2 BSPP E02 fittings are required, use P3NKA00BMW.



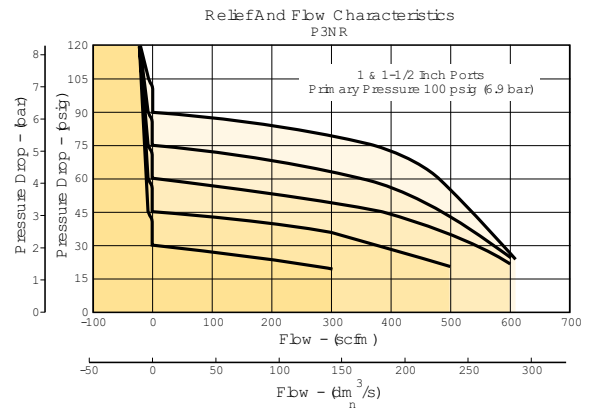
**Air Preparation Products
 Regulator Products**

Flow Charts

3/4" Regulator



1" & 1-1/2" Regulator



⚠ WARNING

**Product rupture can cause serious injury.
 Do not connect regulator to bottled gas.
 Do not exceed Maximum primary pressure rating.**

CAUTION:

REGULATOR PRESSURE ADJUSTMENT – The working range of knob adjustment is designed to permit outlet pressures within their full range. Pressure adjustment beyond this range is also possible because the knob is not a limiting device. This is a common characteristic of most industrial regulators, and limiting devices may be obtained only by special design. For best performance, regulated pressure should always be set by increasing the pressure up to the desired setting.



For inventory, lead times, and kit lookup, visit www.pdnplu.com

General

Dial

Pilot

Proportional

Precision

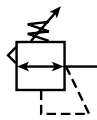
Water

K

Regulator Products

R119 Regulators - Standard

- High flow performance featuring rugged design for the most demanding applications
- Ideal for those installations calling for constant pressure with wide variation in flow
- Diaphragm operated design with balanced poppet design for quick and accurate regulation
- Secondary aspiration plus balanced poppet provides quick response and accurate pressure regulation
- Heavy duty tee handle adjustment
- Reverse flow version available
- Panel mount version available
- 1/4", 3/8", 1/2" ports (NPT, BSPP)



Port Size	Description (0-125 psig reduced pressure)	Part Number
1/4"	Without Gauge, Relieving, NPT	R119-02C
1/4"	With Gauge, Relieving, NPT	R119-02CG
3/8"	Without Gauge, Relieving, NPT	R119-03C
3/8"	With Gauge, Relieving, NPT	R119-03CG
1/2"	Without Gauge, Relieving, NPT	R119-04C
1/2"	With Gauge, Relieving, NPT	R119-04CG

Operating information

Supply pressure (max):	300 psig (0 to 20.7 bar)	
Reduced pressure range:	2 to 125 psig (0.15 to 8.5 bar)	
Operating temperature:	40°F to 125°F (4.4°C to 52°C)	
Flow capacity†:		
High flow	1/4"	100 scfm (47.2 dm³/s, ANR)
	3/8"	110 scfm (51.9 dm³/s, ANR)
	1/2"	150 scfm (70.8 dm³/s, ANR)
Gauge ports (2):	1/4 inch	
Weight:	1/4"	1.8 lb (0.82 kg)
	3/8"	1.8 lb (0.82 kg)
	1/2"	3.2 lb (1.45 kg)

† scfm = Standard cubic feet per minute at 100 psig inlet, 75 psig no flow secondary setting and 20 psig pressure drop.

Ordering Information:

R119 - 02 C /**

Port Threads	-			Engineering Level
NPT	-			/**
G BSPP	G			Will Be Entered at Factory

Port Size	
1/4 inch	02
3/8 inch	03
1/2 inch	04

Reduced Pressure Range	
0-25 psig	A
0-60 psig	B
0-125 psig	C
0-250 psig	D

Options	
Blank	None
G	Gauge
K†	Non-Relieving
X64**	Fluorocarbon O-Rings And Diaphragm
X80*	Reverse Flow
X7	Brass Bottom Plug

* Reverse flow for use downstream of control valves.
 ** Brass bottom plug standard with X64 option.
 † Not available with 250 psig spring.

 Most popular.



For inventory, lead times, and kit lookup, visit www.pdnplu.com

K34

Parker Hannifin Corporation
 Pneumatic Division
 Richland, Michigan
www.parker.com/pneumatics

Material Specifications

Adjusting screw, springs	Steel
Body, spring cage	Zinc
Bottom plug	Nylon
Innervalve	Brass
Seals	Buna N

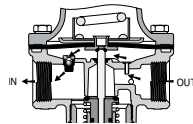
Repair and Service Kits

2" dial face 60 psig (0 to 4.1 bar), gauge	K4520N14060
2" dial face 160 psig (0 to 11.0 bar), gauge	K4520N14160
2" dial face 300 psig (0 to 20.7 bar), gauge	K4520N14300
1-3/4" digital round face 160 psig (0 to 11.0 bar), gauge	K4517N14160D
Mounting bracket, 1/4", 3/8"	SA15Y57
Mounting bracket, 1/2"	18A57
Panel mount conversion kit, 1/4", 3/8"	4202
Panel mount conversion kit, 1/2"	4204
Non-relieving diaphragm, valve assembly (1/4", 3/8"; all psig)	RK118Y
Relieving diaphragm, valve assembly (1/4", 3/8"; all psig)	RK119Y
Non-Relieving diaphragm, valve assembly (1/2"; 25, 60, 125 psig)	RK118A
Relieving diaphragm, valve assembly (1/2"; 25, 60, 125 psig)	RK119A
Relieving diaphragm, valve assembly (1/2"; 250 psig)	RK119A250
Spring cage & T-handle kit (1/4 & 3/8)	RKC119Y
Spring cage & insert only kit (1/2)	SAC18A3/BK

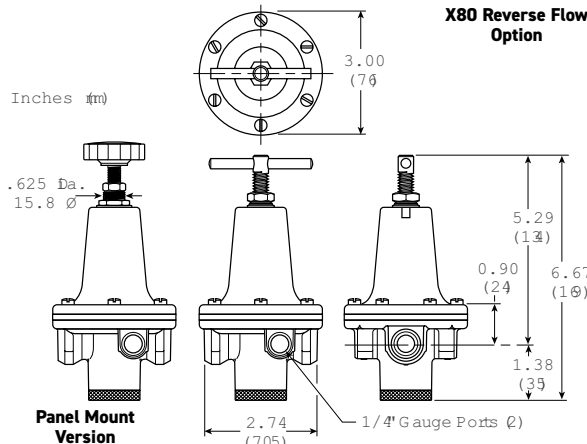
For fluorocarbon repair kits, add X64 to kit number suffix.

CAUTION:

REGULATOR PRESSURE ADJUSTMENT – The working range of knob adjustment is designed to permit outlet pressures within their full range. Pressure adjustment beyond this range is also possible because the knob is not a limiting device. This is a common characteristic of most industrial regulators, and limiting devices may be obtained only by special design. For best performance, regulated pressure should always be set by increasing the pressure up to the desired setting.

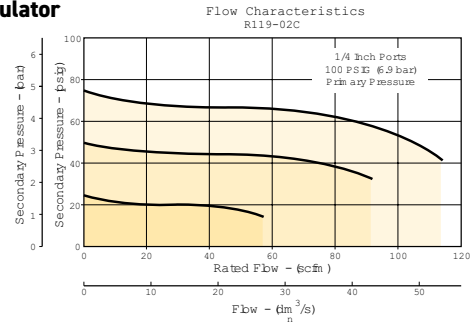


X80 Reverse Flow Option

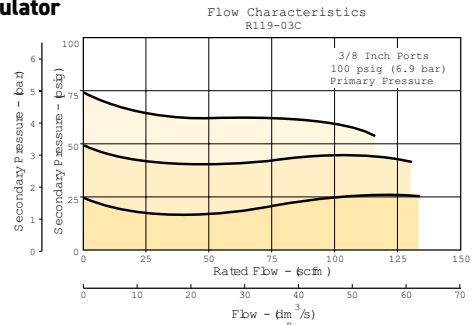


Flow Charts

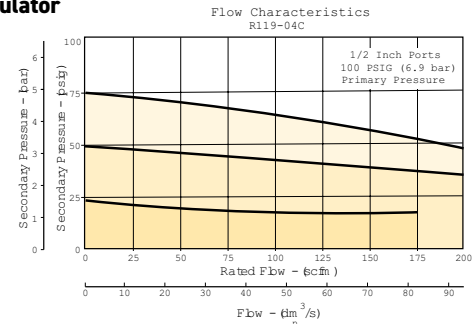
1/4" Regulator



3/8" Regulator



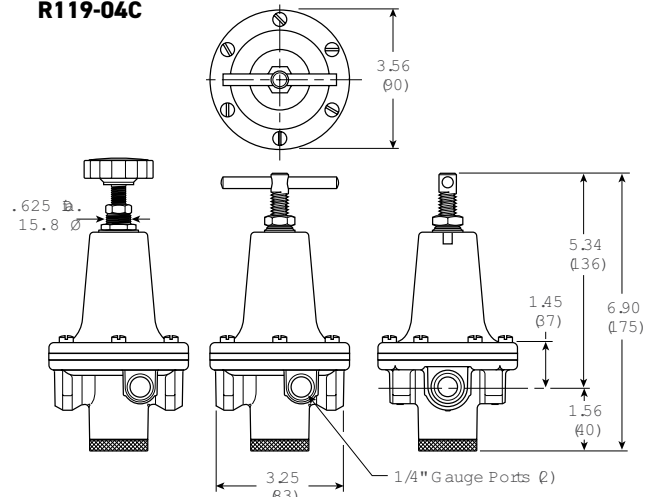
1/2" Regulator



WARNING

**Product rupture can cause serious injury.
 Do not connect regulator to bottled gas.
 Do not exceed Maximum primary pressure rating.**

R119-04C



For inventory, lead times, and kit lookup, visit www.pdnplu.com

K35

Parker Hannifin Corporation
 Pneumatic Division
 Richland, Michigan
www.parker.com/pneumatics

General

Dial

Pilot

Proportional

Precision

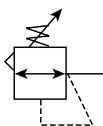
Water

K

Regulator Products

R119 Regulators - Hi-Flow

- High flow performance featuring rugged design for the most demanding applications
- Ideal for those installations calling for constant pressure with wide variation in flow
- Diaphragm operated design with balanced poppet design for quick and accurate regulation
- Secondary aspiration plus balanced poppet provides quick response and accurate pressure regulation
- Heavy duty tee handle adjustment
- Reverse flow version available
- 3/4", 1", 1-1/2" ports (NPT, BSPP)



Port Size	Description (0-125 psig reduced pressure)	Part Number
3/4"	Without gauge, relieving, NPT	R119-06C
3/4"	With gauge, relieving, NPT	R119-06CG
1"	Without gauge, relieving, NPT	R119-08C
1"	With gauge, relieving, NPT	R119-08CG
1-1/2"	Without gauge, relieving, NPT	R119-12C
1-1/2"	With gauge, relieving, NPT	R119-12CG

Operating information

Supply pressure (max):	300 psig (0 to 20.7 bar)	
Reduced pressure range:	2 to 125 psig (0.15 to 8.5 bar)	
Operating temperature:	40°F to 125°F (4.4°C to 52°C)	
Flow capacity [†] :		
High flow	3/4"	300 scfm (141.6 dm ³ /s, ANR)
	1"	400 scfm (188.8 dm ³ /s, ANR)
	1-1/2"	500 scfm (236 dm ³ /s, ANR)
Gauge ports (2):	1/4 inch	
Weight:	3/4"	6.2 lb (2.81 kg)
	1"	6.2 lb (2.81 kg)
	1-1/2"	7.2 lb (3.27 kg)

[†] scfm = Standard cubic feet per minute at 100 psig inlet, 75 psig no flow secondary setting and 20 psig pressure drop.

Ordering Information:

R119	-	06	C		/**
Port Threads		Port Size			Engineering Level
NPT	-	3/4 inch	06		/** Will Be Entered at Factory
G BSPP	G	1 inch	08		
		1-1/2 inch	12		
		Reduced Pressure Range			Options
		0-125 psig	C		Blank
		0-250 psig	D		None
					G
					Gauge
					K
					Non-Relieving
					X64**
					Fluorocarbon O-Rings and Diaphragm
					X80*
					Reverse Flow

* Reverse flow for use downstream of control valves.
 ** Brass bottom plug standard with X64 option.

Most popular.



For inventory, lead times, and kit lookup, visit www.pdnplu.com

K36

Parker Hannifin Corporation
 Pneumatic Division
 Richland, Michigan
www.parker.com/pneumatics

Material Specifications

Adjusting screw, springs	Steel
Body, spring cage	Zinc
Bottom plug	Nylon
Innervalve	Brass
Seals	Buna N

Repair and Service Kits

2" dial face 60 psig (0 to 4.1 bar), gauge	K4520N14060
2" dial face 160 psig (0 to 11.0 bar), gauge	K4520N14160
2" dial face 300 psig (0 to 20.7 bar), gauge	K4520N14300
1-3/4" digital round face 160 psig (0 to 11.0 bar), gauge	K4517N14160D
Mounting bracket kit	18B57
Non-relieving diaphragm, valve assembly (3/4", 1")	RK118B
Non-relieving diaphragm, valve assembly (1-1/2")	RK118D
Relieving diaphragm, valve assembly (3/4", 1")	RK119B
Relieving diaphragm, valve assembly (1-1/2")	RK119D

For Fluorocarbon Repair Kits, add X64 to kit number suffix.

⚠ WARNING

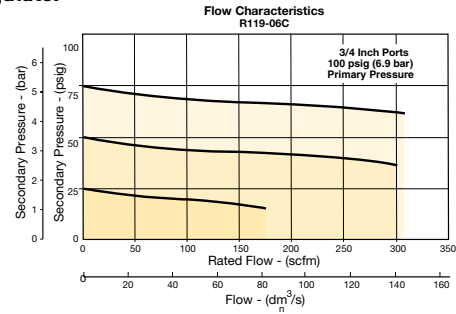
**Product rupture can cause serious injury.
 Do not connect regulator to bottled gas.
 Do not exceed Maximum primary pressure rating.**

CAUTION:

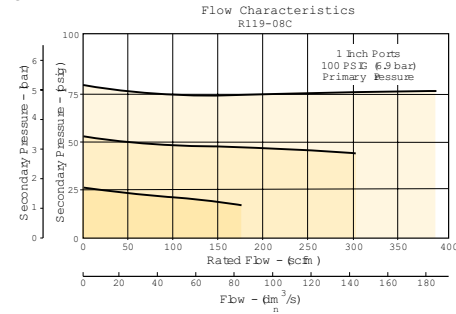
REGULATOR PRESSURE ADJUSTMENT – The working range of knob adjustment is designed to permit outlet pressures within their full range. Pressure adjustment beyond this range is also possible because the knob is not a limiting device. This is a common characteristic of most industrial regulators, and limiting devices may be obtained only by special design. For best performance, regulated pressure should always be set by increasing the pressure up to the desired setting.

Flow Charts

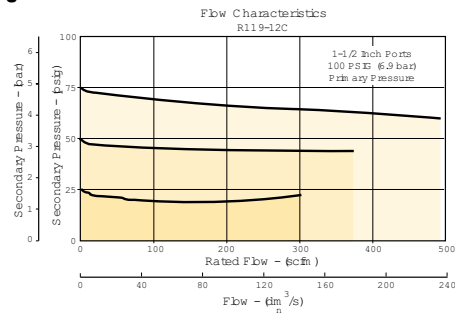
3/4" Regulator



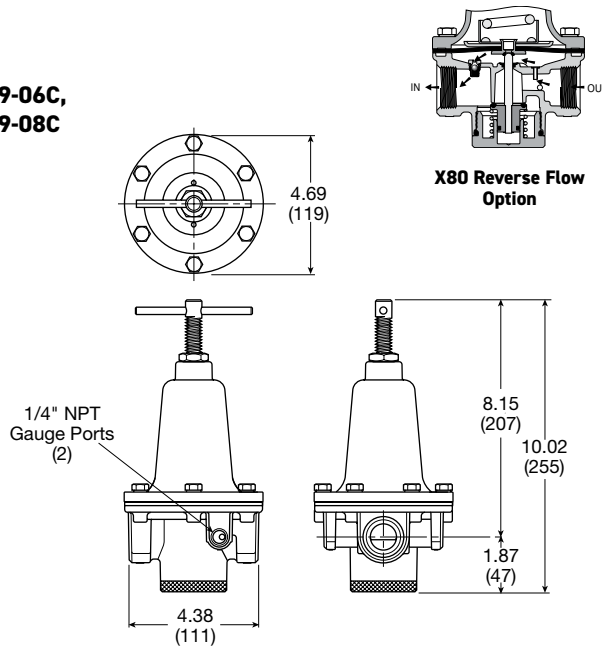
1" Regulator



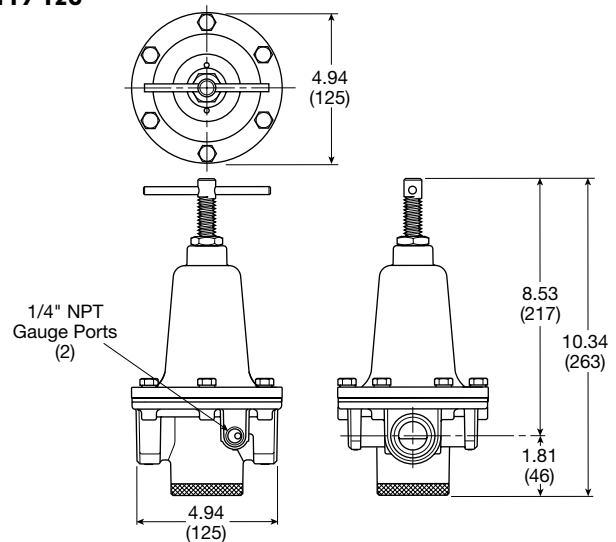
1-1/2" Regulator



**R119-06C,
 R119-08C**



R119-12C



Inches (mm)

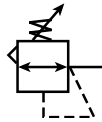
General
Dial
Pilot
Proportional
Precision
Water
K
Regulator Products



For inventory, lead times, and kit lookup, visit www.pdnplu.com

R216 Semi-Precision Regulators

- High flow performance featuring rugged design for the most demanding applications
- Ideal for those installations calling for constant pressure with wide variation in flow
- Diaphragm operated with large surface area and aspirator for quick and precise regulation
- Heavy duty tee handle adjustment
- Panel mount version available
- 1/4", 3/8" ports (NPT BSPP)



Port Size	Description (Relieving Type)	Part Number
1/4"	Tee Handle, Without Gauge, NPT	R216-02F
1/4"	Hand Wheel Knob, Without Gauge, NPT	R216-02FP
3/8"	Tee Handle, Without Gauge, NPT	R216-03F
3/8"	Hand Wheel Knob, Without Gauge, NPT	R216-03FP

Operating information

Supply pressure:	300 psig (20.7 bar)
Reduced pressure range:	0.5 to 20 psig (0.03 to 1.4 bar)
Operating temperature:	40°F to 125°F (4.4°C to 52°C)
Flow capacity [†] :	40 scfm (19.3 dm ³ /s, ANR)
Gauge ports (1):	1/8 inch
Weight:	2.2 lb (100 kg)

[†] scfm = Standard cubic feet per minute at 100 psig inlet, 75 psig no flow secondary setting and 20 psig pressure drop.

Ordering Information:

R216 - 02 F [] /*

Port Threads	
NPT	-
BSPP	G

Pressure Range	
1/4 inch	02
3/8 inch	03

Reduced Pressure Range	
0 to 8 psig (0.6 bar)	E
0 to 20 psig (1.4 bar)	F
0 to 50 psig (3.4 bar)	H

Engineering Level	
Will Be Entered at Factory.	

Options	
K	Non-Relieving
P	Panel Mount with Nut

Most popular.



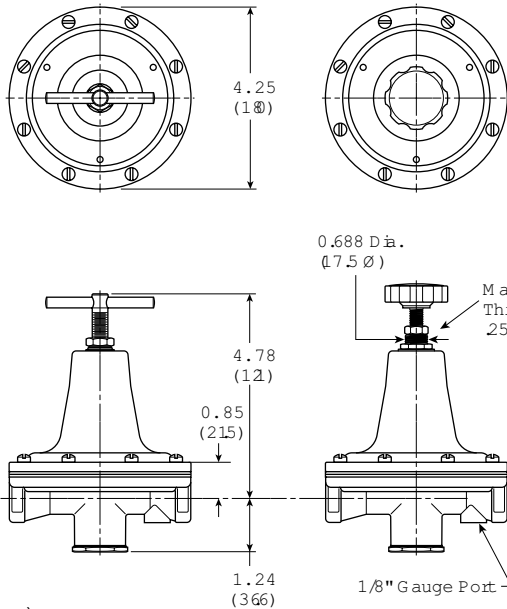
For inventory, lead times, and kit lookup, visit www.pdnplu.com

Material Specifications

Body, spring cage	Zinc
Bottom plug	Brass
Seals	Buna N

Repair and Service Kits

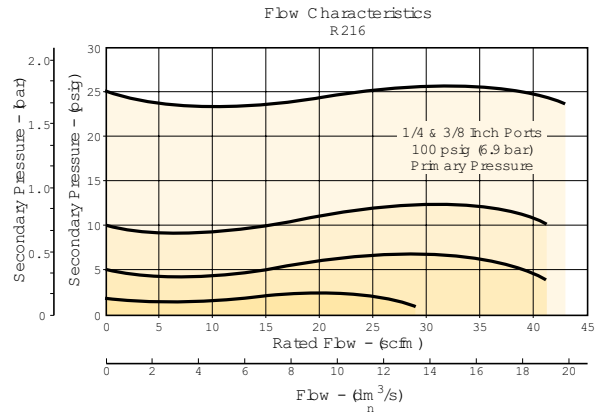
Round plastic knob	118Y51
Panel mount conversion kit (Spring cage, knob, hardware)	4206
Non-relieving diaphragm, valve assembly (1/4", 3/8")	RK216KY
Relieving diaphragm, valve assembly (1/4", 3/8")	RK216Y



Inches (mm)

Flow Charts

R216 1/4" & 3/8" Regulator



WARNING

Product rupture can cause serious injury.
 Do not connect regulator to bottled gas.
 Do not exceed Maximum primary pressure rating.

CAUTION:
REGULATOR PRESSURE ADJUSTMENT – The working range of knob adjustment is designed to permit outlet pressures within their full range. Pressure adjustment beyond this range is also possible because the knob is not a limiting device. This is a common characteristic of most industrial regulators, and limiting devices may be obtained only by special design. For best performance, regulated pressure should always be set by increasing the pressure up to the desired setting.

51R Regulators - Relieving

Pressure reference indicating dial face

Non-rising, pressure-adjustment dial

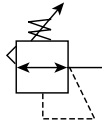
Self-relieving

Full pressure adjustment in less than one full turn

Recommended for pilot-air applications

Constant bleed, piston operated

1/4" port (NPT, BSPP)



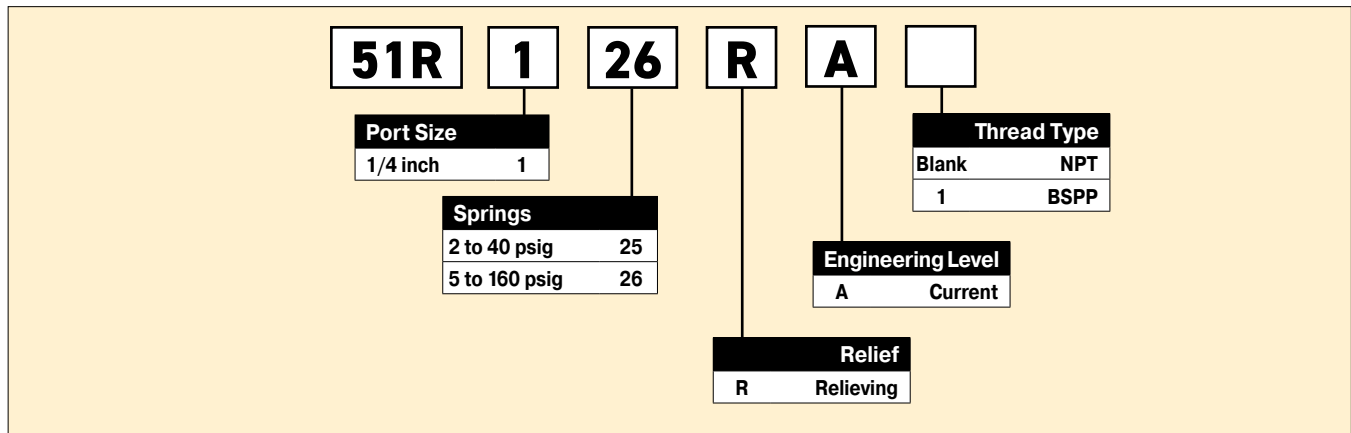
Port Size	Description	Part Number
1/4"	Standard Pressure 5 to 160 psig (0.34 to 11 bar)	51R126RA
1/4"	Low Pressure 2 to 40 psig (0.14 to 3 bar)	51R125RA

Operating information

Adjusting pressure range:	2 to 40 psig (0 to 2.8 bar) 5 to 160 psig (0 to 11.0 bar)
Bleed Rate:	0.05 scfm (0.02 dm ³ /s, ANR)
Operating temperature (max):	32°F to 150°F (0°C to 65.6°C)
Supply pressure (max):	300 psig (20.7)
Flow capacity†:	0.7 scfm (0.3 dm ³ /s, ANR)
Weight:	1.3 lb (0.5 kg)

† scfm = Inlet pressure 100 psig (6.9 bar) inlet. Secondary pressure 90 psig (6.2 bar).

Ordering Information:



Most popular.



For inventory, lead times, and kit lookup, visit www.pdnplu.com

K40

Parker Hannifin Corporation
Pneumatic Division
Richland, Michigan
www.parker.com/pneumatics

Semi-Precision Regulators

Material Specifications

Body	Zinc
Bonnet	Zinc / brass
Piston	Acetal
Seals	Nitrile
Springs	Steel
Valve assembly	Brass / nitrile / acetal

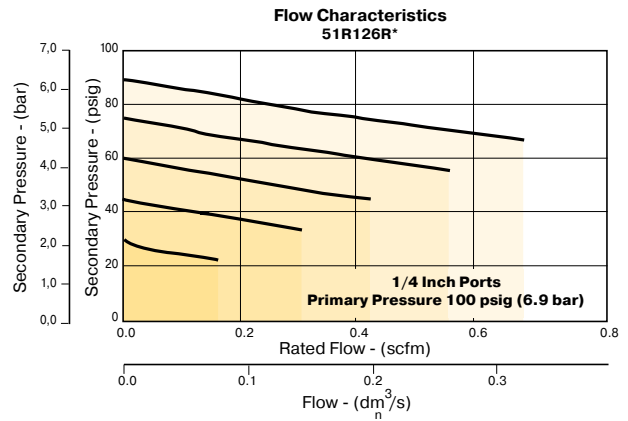
Repair and Service Kits

Adjustment dial knob	RRP-16-024
O-ring, repair kit	GRP-95-260
Piston and bonnet repair kit	RRP-95-765
Spring, regulation, Belleville washer, 2 to 40 psig (2.8 bar)	RRP-95-906
Spring, regulation, Belleville washer, 5 to 160 psig (11.0 bar)	RRP-95-905
Tamper resistant kit	RRP-95-585
Valve, pilot with o-ring and valve spring	RRP-96-934

Air Preparation Products Regulator Products

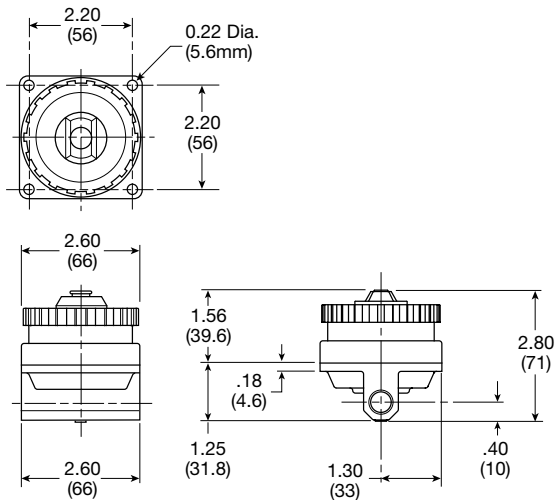
Flow Charts

51R 1/4" Regulator



WARNING

Product rupture can cause serious injury.
Do not connect regulator to bottled gas.
Do not exceed Maximum primary pressure rating.



Inches (mm)

General

Dial

Pilot

Proportional

Precision

Water

K

Regulator Products



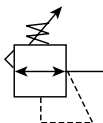
For inventory, lead times, and kit lookup, visit www.pdnplu.com

K41

Parker Hannifin Corporation
Pneumatic Division
Richland, Michigan
www.parker.com/pneumatics

52R Regulators - Relieving

- Balanced poppet design
- Non-rising, pressure-adjusting dial
- High-relief flow (3/16" relief orifice)
- Two 1/4" gauge ports
- Constant bleed, piston operated
- 1/4", 3/8", 1/2", 3/4" ports (NPT, BSPP)



Port Size	Description	Part Number
1/4"	Standard Pressure 5 to 160 psig (0.34 to 11 bar)	52R126RA
1/4"	Low Pressure 2 to 40 psig (0.14 to 3 bar)	52R125RA
3/8"	Standard Pressure 5 to 160 psig (0.34 to 11 bar)	52R226RA
3/8"	Low Pressure 2 to 40 psig (0.14 to 3 bar)	52R225RA
1/2"	Standard Pressure 5 to 160 psig (0.34 to 11 bar)	52R326RA
1/2"	Low Pressure 2 to 40 psig (0.14 to 3 bar)	52R325RA
3/4"	Standard Pressure 5 to 160 psig (0.34 to 11 bar)	52R426RA
3/4"	Low Pressure 2 to 40 psig (0.14 to 3 bar)	52R425RA

Operating information

Adjusting pressure range:	2 to 40 psig (0 to 2.8 bar) 5 to 160 psig (0 to 11.0 bar)
Bleed Rate:	0.05 scfm (0.02 dm ³ /s, ANR)
Operating temperature (max):	32°F to 150°F (0°C to 65.6°C)
Supply pressure (max):	300 psig (20.7)
Flow capacity†:	1/4" 117 scfm (55.2 dm ³ /s, ANR) 3/8" 180 scfm (85 dm ³ /s, ANR) 1/2" 195 scfm (92 dm ³ /s, ANR) 3/4" 220 scfm (103.8 dm ³ /s, ANR)
Gauge ports:	Two ports 1/4" (can be used as additional high flow 1/4 inch outlet ports)
Weight:	2.3 lb (1.04 kg)

† scfm = Inlet pressure 100 psig (6.9 bar) inlet. Secondary pressure 90 psig (6.2 bar).

Ordering Information:

52R 1 26 R A

Port Size	
1/4 inch	1
3/8 inch	2
1/2 inch	3
3/4 inch	4

Thread Type	
Blank	NPT
1	BSPP

Engineering Level	
A	Current

Springs	
2 to 40 psig	25
5 to 160 psig	26

Relief	
R	Relieving

Most popular.



For inventory, lead times, and kit lookup, visit www.pdnplu.com

Semi-Precision Regulators

Material specifications

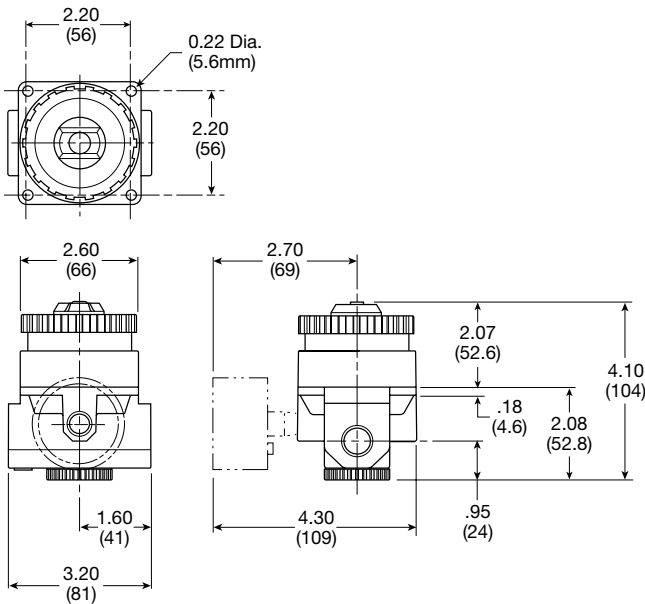
Body	Zinc
Bonnet	Zinc / brass
Piston	Acetal
Seals	Nitrile
Springs	Steel
Valve assembly	Brass / nitrile / acetal

Repair and Service Kits

Adjustment dial knob	RRP-16-024
O-ring, repair kit	GRP-95-260
Piston bottom and o-ring seal	RRP-95-192
Pistons and bonnet repair kit	RRP-95-766
Spring, regulation, belleville washer – 2 to 40 psig range	RRP-95-906
Spring, regulation, belleville washer – 5 to 160 psig range	RRP-95-905
Tamper resistant kit	RRP-95-585
Valve, main with U-cup seal & bottom plug	RRP-95-914
Valve, main with U-cup seal	RRP-95-151
Valve, pilot with o-ring and valve spring	RRP-96-934

WARNING

**Product rupture can cause serious injury.
Do not connect regulator to bottled gas.
Do not exceed Maximum primary pressure rating.**

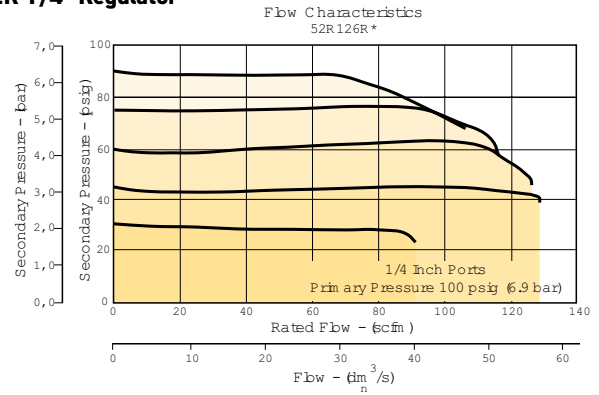


Inches (mm)

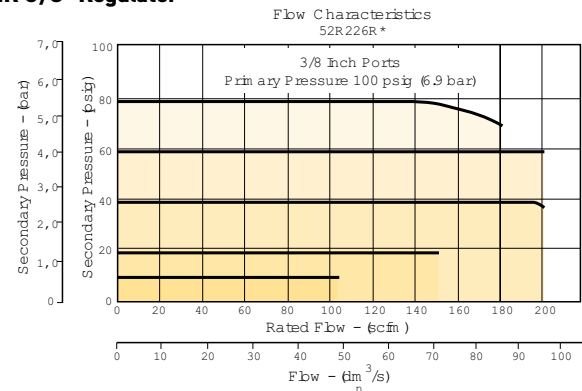
Air Preparation Products Regulator Products

Flow Charts

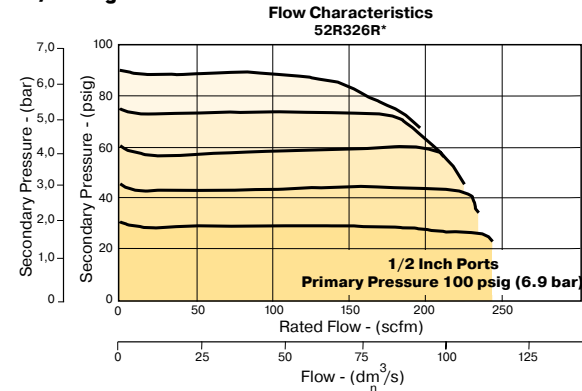
52R 1/4" Regulator



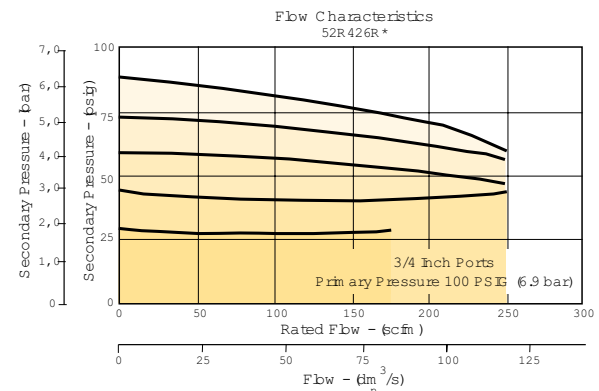
52R 3/8" Regulator



52R 1/2" Regulator



52R 3/4" Regulator



General

Dial

Pilot

Proportional

Precision

Water

K

Regulator Products



For inventory, lead times, and kit lookup, visit www.pdnplu.com

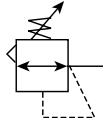
K43

Parker Hannifin Corporation
Pneumatic Division
Richland, Michigan
www.parker.com/pneumatics

General
Dial
Pilot
Proportional
Precision
Water
K
Regulator Products

53R Regulators - Relieving

- Balanced poppet design
- Non-rising, pressure-adjusting dial
- High-relief flow (3/16" relief orifice)
- Two 1/4" gauge ports
- Constant bleed, piston operated
- 3/4", 1", 1-1/4" ports (NPT, BSPP)



Port Size	Description	Part Number
3/4"	Standard pressure 5 to 160 psig (0.34 to 11 bar)	53R426RA
3/4"	Low Pressure 2 to 40 psig (0.14 to 3 bar)	53R425RA
1"	Standard pressure 5 to 160 psig (0.34 to 11 bar)	53R526RA
1"	Low Pressure 2 to 40 psig (0.14 to 3 bar)	53R525RA
1-1/4"	Standard Pressure 5 to 160 psig (0.34 to 11 bar)	53R626RA
1-1/4"	Low pressure 2 to 40 psig (0.14 to 3 bar)	53R625RA

Operating information

Adjusting pressure range:	2 to 40 psig (0 to 2.8 bar) 5 to 160 psig (0 to 11.0 bar)
Bleed Rate:	0.05 scfm (0.02 dm ³ /s, ANR)
Operating temperature (max):	32°F to 150°F (0°C to 65.6°C)
Supply pressure (max):	300 psig (20.7)
Flow capacity [†] :	3/4" 400 scfm (188.8 dm ³ /s, ANR) 1" 650 scfm (306.8 dm ³ /s, ANR) 1-1/4" 700 scfm (330.4 dm ³ /s, ANR)
Gauge ports:	Two ports 1/4" (can be used as additional high flow 1/4 inch outlet ports)
Weight:	2.3 lb (1.04 kg)
[†] scfm = Inlet pressure 100 psig (6.9 bar) inlet. Secondary pressure 80 psig (5.5 bar).	

Ordering Information:

53R	4	26	R	A	Blank
Port Size					Thread Type
3/4 inch	4				Blank NPT
1 inch	5				1 BSPP
1-1/4 inch	6				
		Springs		Engineering Level	
		2 to 40 psig	25	A	Current
		5 to 160 psig	26		
				Relief	
			R	Relieving	

Most popular.



For inventory, lead times, and kit lookup, visit www.pdnplu.com

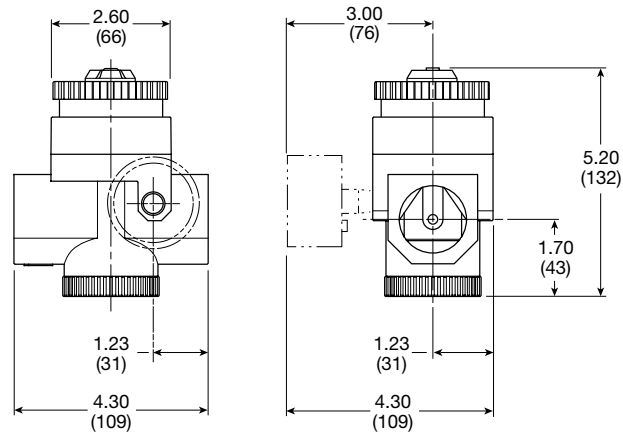
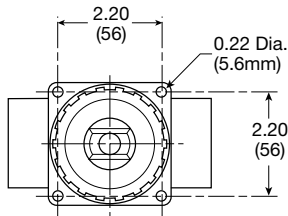
Semi-Precision Regulators

Material Specifications

Body	Zinc
Bonnet	Zinc / brass
Piston	Acetal
Seals	Nitrile
Springs	Steel
Valve assembly	Brass / nitrile / acetal

Repair and Service Kits

Adjustment dial knob	RRP-16-024
O-ring, repair kit	GRP-95-261
Piston, bottom and o-ring seal	RRP-95-192
Pistons and bonnet repair kit	RRP-95-766
Spring, regulation, Belleville washer – 2 to 40 psig range	RRP-95-906
Spring, regulation, Belleville washer – 5 to 160 psig range	RRP-95-905
Tamper resistant kit	RRP-95-585
Valve, main with o-ring seal	RRP-95-152
Valve, pilot with o-ring and valve spring	RRP-96-935

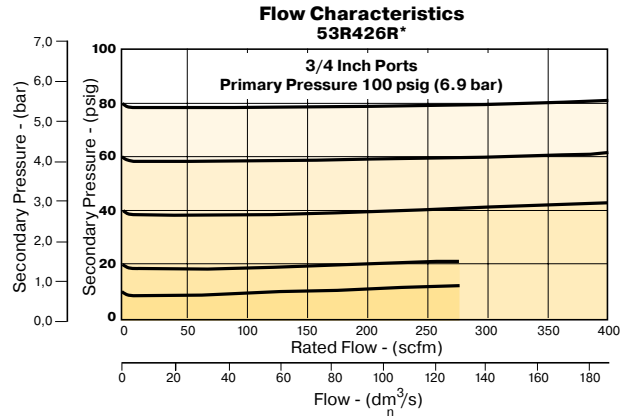


Inches (mm)

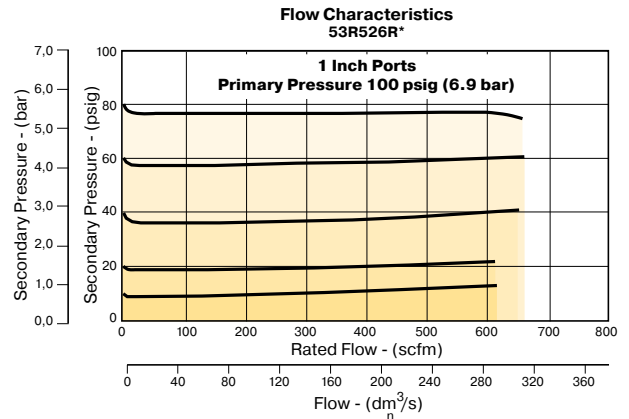
Air Preparation Products Regulator Products

Flow Charts

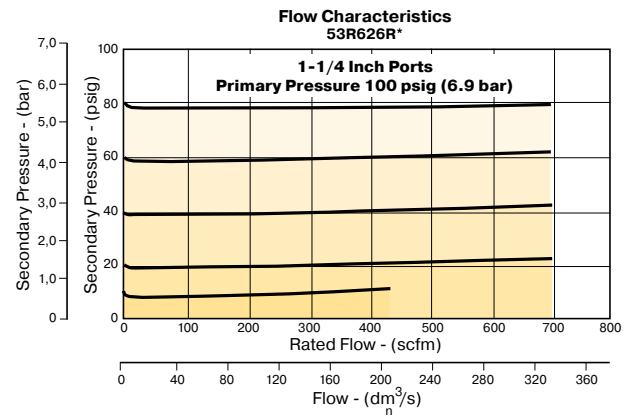
53R 3/4" Regulator



53R 1" Regulator



53R 31-14" Regulator



WARNING

Product rupture can cause serious injury.
Do not connect regulator to bottled gas.
Do not exceed Maximum primary pressure rating.



For inventory, lead times, and kit lookup, visit www.pdnplu.com

K45

Parker Hannifin Corporation
Pneumatic Division
Richland, Michigan
www.parker.com/pneumatics

General

Dial

Pilot

Proportional

Precision

Water

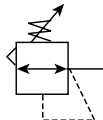
K

Regulator Products

General
Dial
Pilot
Proportional
Precision
Water
K
Regulator Products

54R Regulators - Relieving

- Balanced poppet design
- Non-rising, pressure-adjusting dial
- High-relief flow (3/16" relief orifice)
- Two 1/4" gauge ports
- Constant bleed, piston operated
- 1-1/2", 2" ports (NPT, BSPP)



Port Size	Description	Part Number
1-1/2"	Standard Pressure 5 to 160 psig (0.34 to 11 bar)	54R726RA
1-1/2"	Low Pressure 2 to 40 psig (0.14 to 3 bar)	54R725RA
2"	Standard Pressure 5 to 160 psig (0.34 to 11 bar)	54R826RA
2"	Low Pressure 2 to 40 psig (0.14 to 3 bar)	54R825RA

Operating information

Adjusting pressure range: 2 to 40 psig (0 to 2.8 bar)
5 to 160 psig (0 to 11.0 bar)

Bleed Rate: 0.05 scfm (0.02 dm³/s, ANR)

Operating temperature (max): 32°F to 150°F (0°C to 65.6°C)

Supply pressure (max): 300 psig (20.7)

Flow capacity[†]: 1-1/2" 1,600 scfm (755 dm³/s, ANR)
2" 1,600 scfm (755 dm³/s, ANR)

Gauge ports: Two ports 1/4"
(can be used as additional high flow 1/4 inch outlet ports)

Weight: 9 lb (4.1 kg)

[†] scfm = Inlet pressure 100 psig (6.9 bar) inlet. Secondary pressure 80 psig (5.5 bar).

Ordering Information:

54R	7	26	R	A	
Port Size					Thread Type
1-1/2 inch	7				Blank NPT
2 inch	8				1 BSPP
		Springs		Engineering Level	
		2 to 40 psig	25	A	Current
		5 to 160 psig	26		
				Relief	
				R	Relieving

Most popular.



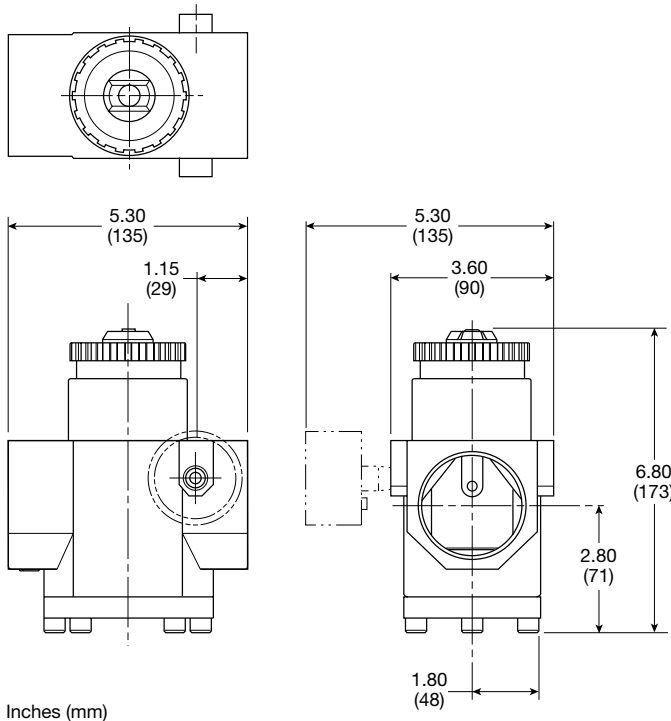
For inventory, lead times, and kit lookup, visit www.pdnplu.com

Material Specifications

Body	Zinc
Bonnet	Zinc / brass
Piston	Zinc
Seals	Nitrile
Springs	Steel
Valve assembly	Brass / nitrile / acetal

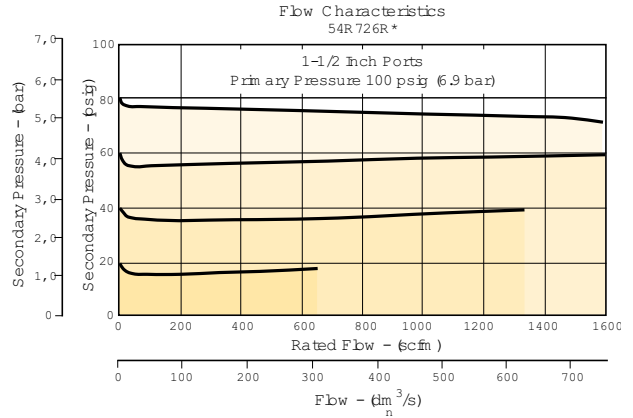
Repair and Service Kits

Adjustment dial knob	RRP-16-024
O-ring, repair kit	GRP-95-262
Piston, bottom and o-ring seal	RRP-95-192
Pistons and bonnet repair kit	RRP-95-766
Spring, regulation, belleville washer – 2 to 40 psig range	RRP-95-906
Spring, regulation, belleville washer – 5 to 160 psig range	RRP-95-905
Spring, main valve	RRP-95-024
Tamper resistant kit	RRP-95-585
Valve, main with o-ring seal	RRP-95-153
Valve, pilot with o-ring and valve spring	RRP-96-935

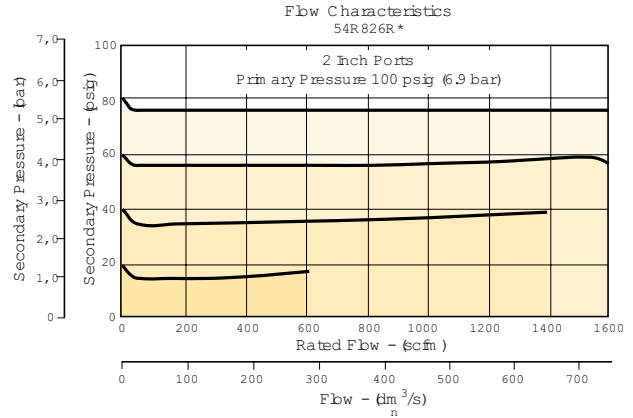


Flow Charts

54R 1-1/2" Regulator



54R 2" Regulator



WARNING

Product rupture can cause serious injury.
 Do not connect regulator to bottled gas.
 Do not exceed Maximum primary pressure rating.

General

Dial

Pilot

Proportional

Precision

Water

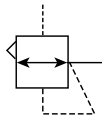
K

Regulator Products

General
Dial
Pilot
Proportional
Precision
Water
K
Regulator Products

11R Pilot Controlled Regulator - Compact

- Balanced poppet provides quick response and accurate pressure regulation
- Pilot controlled regulators can be mounted "out of reach" with pilot regulator installed in a convenient location
- Solid control piston for extended life
- Two full flow 1/4" gauge ports can be used as additional outlets
- Pilot port 1/4 Inch
- 1/4", 3/8", 1/2" ports (NPT, BSPP)



Port Size	Description	Part Number
1/4"	Without Gauge	11R115PC
1/4"	With 160 psi Gauge	11R121PC
3/8"	Without Gauge	11R215PC
3/8"	With 160 psi Gauge	11R221PC
1/2"	Without Gauge	11R315PC
1/2"	With 160 psi Gauge	11R321PC

NOTE: 2.0 Dia. (51 mm) hole required for panel mounting.

Operating information

Supply pressure (max):	0 to 250 psig (0 to 17.2 bar)	
Operating temperature:	32°F to 175°F (0°C to 80°C)	
Flow capacity [†] :	High flow	1/4" 85 scfm (40 dm ³ /s, ANR)
		3/8" 95 scfm (44.8 dm ³ /s, ANR)
		1/2" 95 scfm (44.8 dm ³ /s, ANR)
Gauge ports (2):	1/4 inch (can be used as additional full flow 1/4 inch outlet ports)	
Weight:	1.3 lb (0.53 kg)	

[†] scfm = Standard cubic feet per minute at 100 psig inlet, 90 psig no flow secondary setting and 10 psig pressure drop.

Ordering Information:

11R
2
15
P
C

Port Threads	Engineering Level	Port Type
1/4 inch 1	C Current	Blank NPT
3/8 inch 2		1 BSPP
1/2 inch 3		
Relief / Gauge Options		
Without gauge		
Non-relieving piston	14	
Relieving piston	15	
With gauge *		
Non-relieving piston	19	
Relieving piston	21	

* Includes 2" dial face gauge 0 to 300 psig.

Adjustment

P Pilot Operated

Most popular.



For inventory, lead times, and kit lookup, visit www.pdnplu.com

K48

Parker Hannifin Corporation
Pneumatic Division
Richland, Michigan
www.parker.com/pneumatics

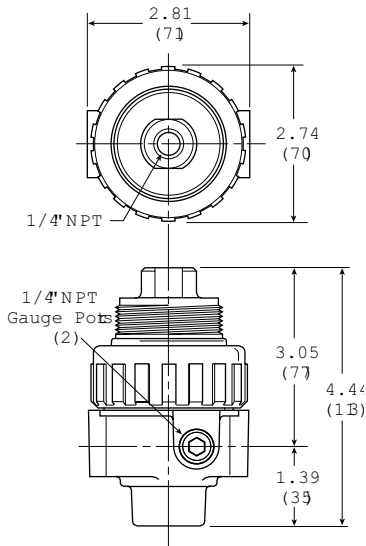
Compact Pilot Controlled Regulators

Material Specifications

Body & pilot cap	Zinc
Piston, valve poppet, & collar	Plastic
Seals	Nitrile
Springs	Steel

Repair and Service Kits

Seat Insert kit	PS713P
2" dial face 60 psig (0 to 4.1 bar), gauge	K4520N14060
2" dial face 160 psig (0 to 11.0 bar), gauge	K4520N14160
2" dial face 300 psig (0 to 20.7 bar), gauge	K4520N14300
1-3/4" digital round face 160 psig (0 to 11.0 bar), gauge	K4517N14160D
Mounting bracket kit (includes panel mount nut)	PS707P
Panel mount nut, plastic	P04082
Panel mount nut, metal	P04079B
Pilot conversion kit – relieving	PS745P
Non-Relieving	PS747P
Relieving	PS749P

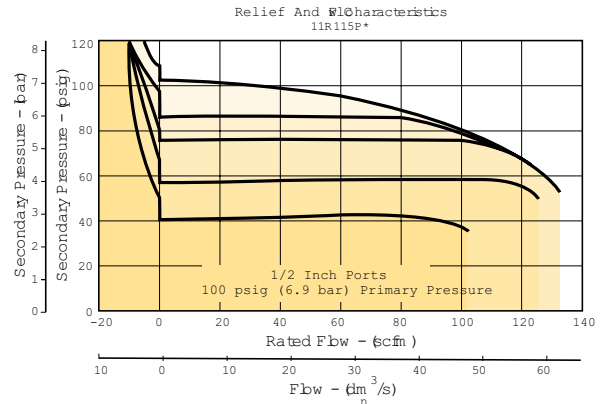


Inches (mm)

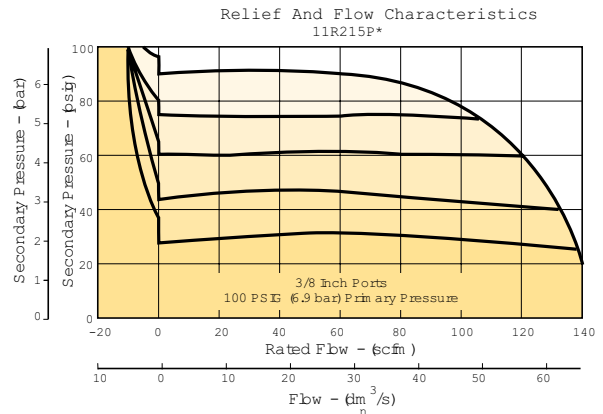
Air Preparation Products Regulator Products

Flow Charts

1/2" Regulator



3/8" Regulator



WARNING

Product rupture can cause serious injury.
Do not connect regulator to bottled gas.
Do not exceed Maximum primary pressure rating.

General

Dial

Pilot

Proportional

Precision

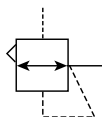
Water

K

Regulator Products

12R Pilot Controlled Regulator - Standard

- Balanced poppet provides quick response and accurate pressure regulation
- Pilot controlled regulators can be mounted "out of reach" with pilot regulator installed in a convenient location
- Solid control piston for extended life
- Two full flow 1/4" gauge ports can be used as additional outlets
- Pilot port 1/4 Inch
- 1/2", 3/4" ports (NPT, BSPP, BSPT)



Port Size	Description	Part Number
1/2"	Without Gauge	12R315PB
1/2"	With 160 psi Gauge	12R321PB
3/4"	Without Gauge	12R415PB
3/4"	With 160 psi Gauge	12R421PB

NOTE: 2.0 Dia. (51 mm) hole required for panel mounting.

Operating information

Supply pressure (max):	0 to 250 psig (0 to 17.2 bar)	
Operating temperature:	32°F to 175°F (0°C to 80°C)	
Flow capacity†:		
High flow	1/2"	140 scfm (66 dm³/s, ANR)
	3/4"	140 scfm (66 dm³/s, ANR)
Gauge ports (2):	1/4 inch (can be used as additional full flow 1/4 inch outlet ports)	
Weight:	2.0 lb (0.91 kg)	

† scfm = Standard cubic feet per minute at 100 psig inlet, 90 psig no flow secondary setting and 10 psig pressure drop.

Ordering Information:

12R	3	15	P	B	
Port Threads					Port Type
1/2 inch	3				Blank
3/4 inch	4				1 BSPP
					2 BSPT
		Relief / Gauge Options			
		Without Gauge			
		Non-Relieving Piston	14		
		Relieving Piston	15		
		With Gauge *			
		Non-Relieving Piston	19		
		Relieving Piston	21		
				Engineering Level	
				B	Current
			Adjustment		
			P		Pilot Operated

* Includes 2" dial face gauge 0 to 300 psig.

Most popular.



For inventory, lead times, and kit lookup, visit www.pdnplu.com

K50

Parker Hannifin Corporation
Pneumatic Division
Richland, Michigan
www.parker.com/pneumatics

Material Specifications

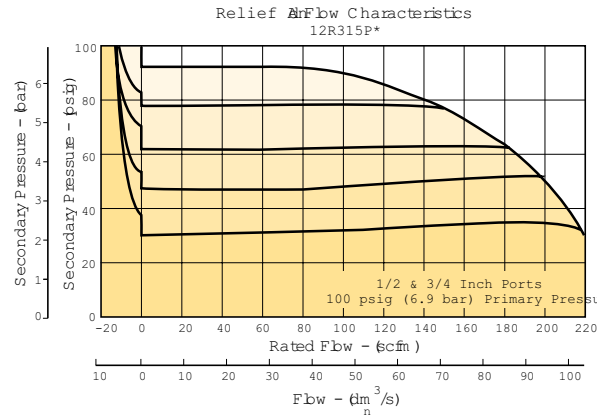
Body & pilot cap	Zinc
Piston, valve poppet, & collar	Plastic
Seals	Nitrile
Springs	Steel

Repair and Service Kits

Seat insert kit	PS813P
2" dial face 60 psig (0 to 4.1 bar)	K4520N14060
2" dial face 160 psig (0 to 11.0 bar)	K4520N14160
2" dial face 300 psig (0 to 20.7 bar)	K4520N14300
1-3/4" digital round face 160 psig (0 to 11.0 bar)	K4517N14160D
Mounting bracket kit (includes panel mount nut)	PS807P
Panel mount nut, plastic	P04082
Panel mount nut, metal	P04079B
Pilot conversion kit – relieving	PS745P
Non-relieving	PS847P
Relieving	PS849P

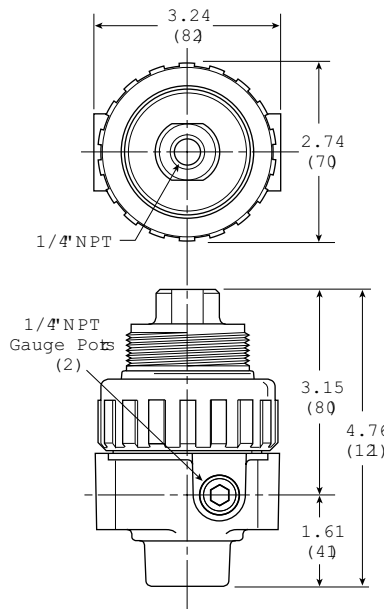
Flow Charts

1/2 and 3/4" Regulator



⚠ WARNING

**Product rupture can cause serious injury.
 Do not connect regulator to bottled gas.
 Do not exceed Maximum primary pressure rating.**



Inches (mm)

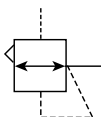
General
Dial
Pilot
Proportional
Precision
Water
K
Regulator Products



For inventory, lead times, and kit lookup, visit www.pdnplu.com

P3NR Pilot Controlled Regulator - Hi-Flow

- Port blocks (PB) available to provide 1-1/2" port extension to 1" ported bodies
- Self relieving feature plus balanced poppet provides quick response and accurate pressure regulation
- Solid control piston for extended life
- 3/4", 1" 1-1/2" ports (NPT, BSPP)



Port Size	Description	Part Number
3/4"	Without Gauge	P3NRA96BPP
1"	Without Gauge	P3NRA98BPP
1-1/2"*	Without Gauge	P3NRA9PBPP

* 1" port body with 1-1/2" port block.

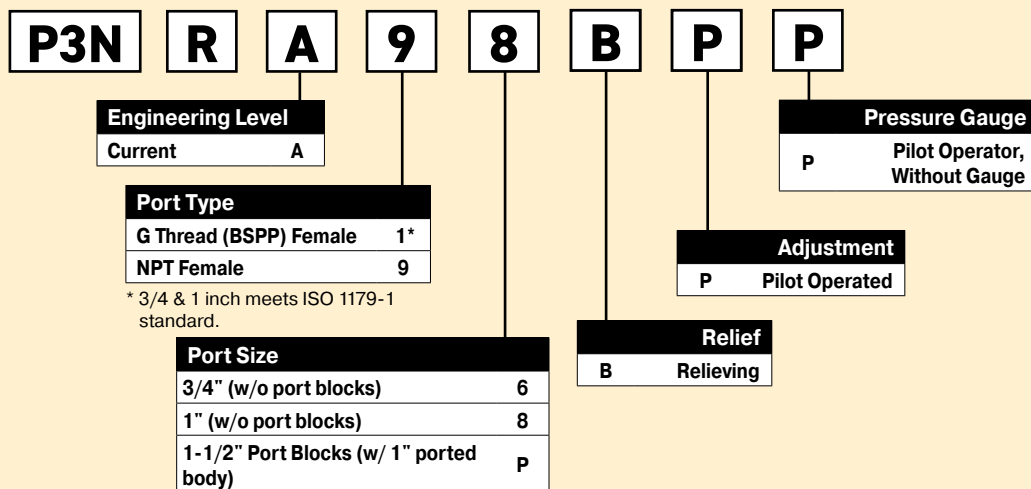
Operating information

Supply pressure (max):	250 psig (17.2 bar)	
Operating temperature:	32°F to 175°F (0°C to 80°C)	
Flow capacity†:		
High flow	3/4"	300 scfm (141.6 dm³/s, ANR)
	1"	300 scfm (141.6 dm³/s, ANR)
	1-1/2"	350 scfm (165.2 dm³/s, ANR)
Gauge ports (2):	1/4 inch	
Weight:	3/4", 1"	3.3 lb (1.5 kg)
	1-1/2" #	4.4 lb (2.0 kg)

† scfm = Standard cubic feet per minute at 100 psig inlet, 90 psig no flow secondary setting and 10 psig pressure drop.

1" port body with 1-1/2 port block

Ordering Information:



Note: BSPP ported units supplied using NPT ported bodies and BSPP port block kits.

Most popular.



For inventory, lead times, and kit lookup, visit www.pdnplu.com

K52

Parker Hannifin Corporation
Pneumatic Division
Richland, Michigan
www.parker.com/pneumatics

Hi-Flow Pilot Controlled Regulators

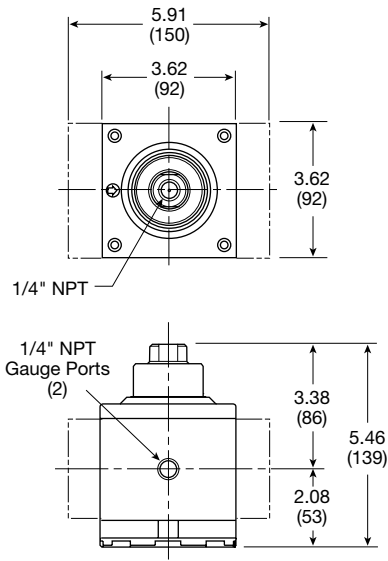
Material Specifications

Adjusting stem	Steel
Body	Aluminum
Bonnet	Aluminum
Piston	Plastic
Poppet assembly	Brass
Seals	Nitrile
Springs – poppet	Steel

Repair and Service Kits

2" dial face 60 psig (0 to 4.1 bar), gauge	K4520N14060
2" dial face 160 psig (0 to 11.0 bar), gauge	K4520N14160
2" dial face 300 psig (0 to 20.7 bar), gauge	K4520N14300
1-3/4" digital round face 160 psig (0 to 11.0 bar), gauge	K4517N14160D
Mounting bracket kit*	P3NKA00MW
Relieving	P3NKA00PD

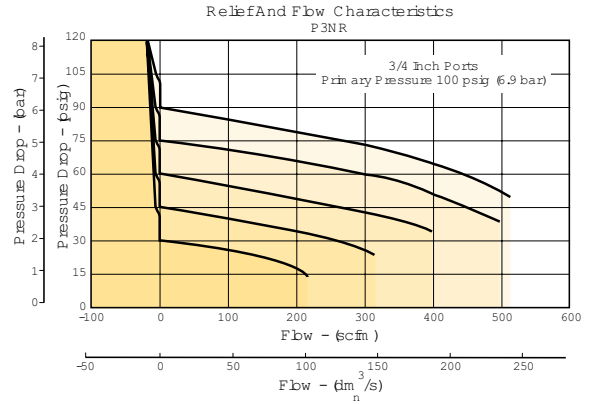
* If 1-1/2 BSPP E02 fittings are required, use P3NKA0BMW.



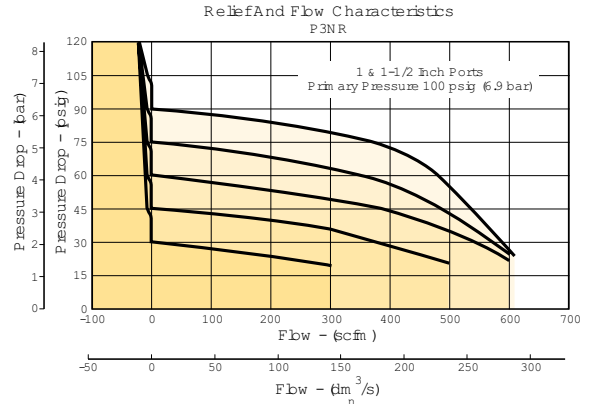
Air Preparation Products Regulator Products

Flow Charts

3/4" Regulator



1" & 1-1/2" Regulator



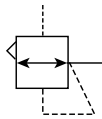
⚠ WARNING

**Product rupture can cause serious injury.
Do not connect regulator to bottled gas.
Do not exceed Maximum primary pressure rating.**

General
 Dial
 Pilot
 Proportional
 Precision
 Water
K
 Regulator Products

R119 - Pilot Operated Regulators

- Adapted for control by a remote or distant small pilot regulator. Ideal for maximum capacity requirements in applications where units are not readily accessible
- High flow performance featuring rugged design for the most demanding applications
- Ideal for those installations calling for constant pressure with wide variation in flow
- Diaphragm operated design with balanced poppet and constant bleed pilot for quick and accurate regulation.
- Secondary aspiration plus balanced poppet provides quick response and accurate pressure regulation
- Reverse flow available
- 1/4", 3/8", 1/2" ports (NPT, BSPP)



Port Size	Description (0-125 psig reduced pressure)	Part Number
1/4"	Without Gauge, Relieving, NPT	R119-02J/M2
3/8"	Without Gauge, Relieving, NPT	R119-03J/M2
1/2"	Without Gauge, Relieving, NPT	R119-04J/M2

Operating information

Supply pressure (max):	300 psig (0 to 20.7 bar)	
Air consumption:	Constant bleed from air pilot chamber: approx. 0.17 scfm (10 scfh)	
Operating temperature:	40°F to 125°F (4.4°C to 52°C)	
Pilot pressure:	1/4", 3/8" thread - 1/8" 1/2" thread - 1/4"	
Reduced pressure range:	Adjustable to within 5 to 7 psig (0.34 to 0.48 bar) of supply pressure	
Flow capacity†:		
High flow	1/4"	100 scfm (47.2 dm³/s, ANR)
	3/8"	110 scfm (51.9 dm³/s, ANR)
	1/2"	150 scfm (70.8 dm³/s, ANR)
Gauge ports (2):	1/4 inch	
Weight:	1/4"	1.6 lb (0.73 kg)
	3/8"	1.6 lb (0.73 kg)
	1/2"	2.6 lb (1.18 kg)

† scfm = Standard cubic feet per minute at 100 psig inlet, 75 psig no flow secondary setting and 20 psig pressure drop.

Ordering Information:

R119	-	02	J	/**
Port Threads				Engineering Level
NPT	-			/** Will Be Entered at Factory
BSPP	G			
		Port Size		Options
		1/4 inch	02	Blank
		3/8 inch	03	K
		1/2 inch	04	X64*
				X71
				X7
		Reduced Pressure Range		
		Air Pilot Operated	J	

* Brass bottom plug standard with X64 option.

Most popular.



For inventory, lead times, and kit lookup, visit www.pdnplu.com

K54

Parker Hannifin Corporation
 Pneumatic Division
 Richland, Michigan
www.parker.com/pneumatics

Material Specifications

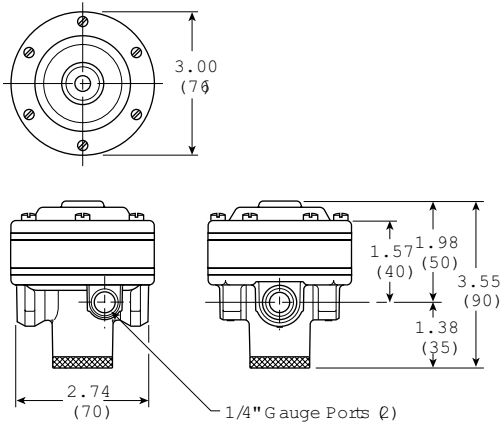
Body, ring, top plate	Zinc
Bottom plug	Nylon
Innervalve	Brass
Seals	Buna N

Repair and Service Kits

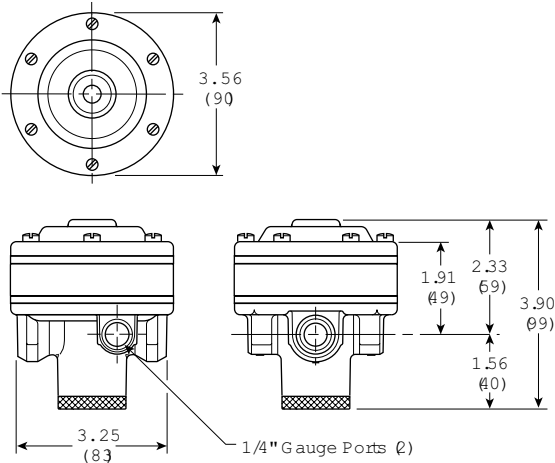
2" dial face 60 psig (0 to 4.1 bar), gauge	K4520N14060
2" dial face 160 psig (0 to 11.0 bar), gauge	K4520N14160
2" dial face 300 psig (0 to 20.7 bar), gauge	K4520N14300
1-3/4" digital round face 160 psig (0 to 11.0 bar), gauge	K4517N14160D
Non-relieving diaphragm, valve assembly (1/2")	RK118X20A
Non-relieving diaphragm, valve assembly (1/4", 3/8")	RK118X20Y
Relieving diaphragm, valve assembly (1/2")	RK119X20A
Relieving diaphragm, valve assembly (1/4", 3/8")	RK119X20Y

For fluorocarbon repair kits, add X64 to kit number suffix.
 For non-bleed pilot repair kits, add X71 to kit number suffix.

R119-02J, R119-03J



R119-04J

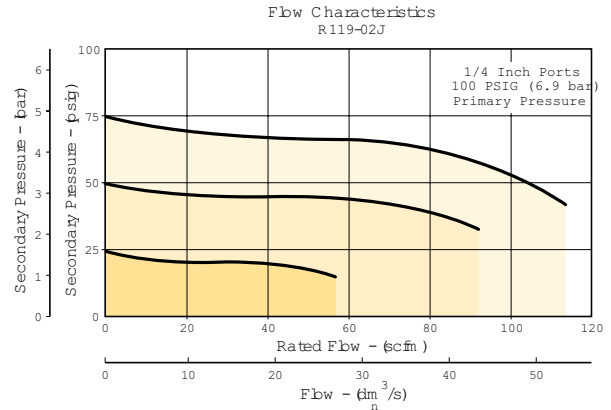


Inches (mm)

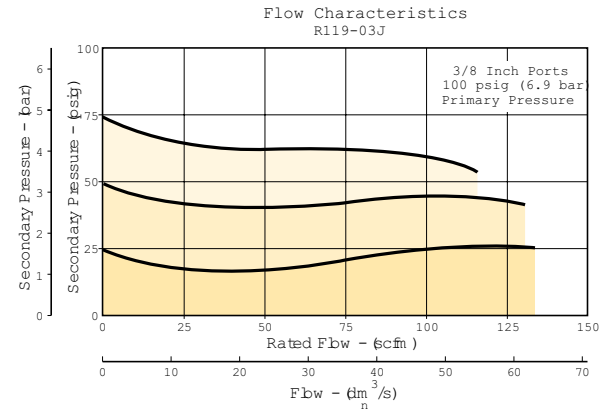
**Air Preparation Products
 Regulator Products**

Flow Charts

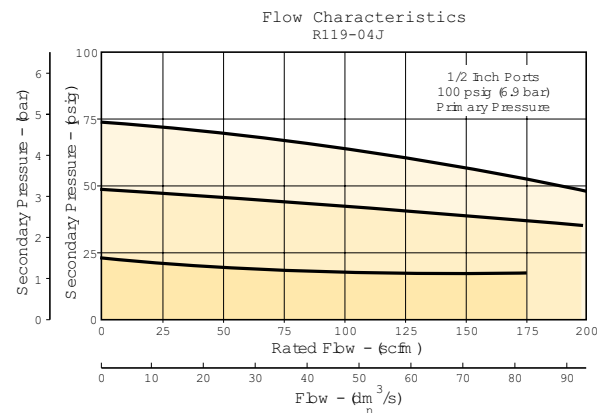
1/4" Regulator



3/8" Regulator



1/2" Regulator



⚠ WARNING

**Product rupture can cause serious injury.
 Do not connect regulator to bottled gas.
 Do not exceed Maximum primary pressure rating.**

General
Dial
Pilot
Proportional
Precision
Water
K
Regulator Products



For inventory, lead times, and kit lookup, visit www.pdnplu.com

R119 Pilot Operated Regulators - Hi-Flow

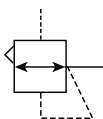
- Adapted for control by a remote or distant small pilot regulator. Ideal for maximum capacity requirements in applications where units are not readily accessible
- High flow performance featuring rugged design for the most demanding applications
- Ideal for those installations calling for constant pressure with wide variation in flow
- Diaphragm operated design with balanced poppet and constant bleed pilot for quick and accurate regulation
- Secondary aspiration plus balanced poppet provides quick response and accurate pressure regulation
- Reverse flow version available
- 3/4", 1", 1-1/2" ports (NPT, BSPP)



Operating information

Supply pressure (max):	300 psig (0 to 20.7 bar)	
Air consumption:	Constant bleed from air pilot chamber: approx. 0.17 scfm (10 scfh)	
Operating temperature:	40°F to 125°F (4.4°C to 52°C)	
Reduced pressure range:	Adjustable to within 5 to 7 psig (0.34 to 0.48 bar) of supply pressure	
Flow capacity†:		
High flow	3/4"	300 scfm (141.6 dm³/s, ANR)
	1"	300 scfm (141.6 dm³/s, ANR)
	1-1/2"	500 scfm (236 dm³/s, ANR)
Gauge ports (2):	1/4 inch	
Weight:	3/4"	5.2 lb (2.36 kg)
	1"	5.2 lb (2.36 kg)
	1-1/2"	5.6 lb (2.54 kg)

† scfm = Standard cubic feet per minute at 100 psig inlet, 75 psig no flow secondary setting and 20 psig pressure drop.



Port Size	Description (0-125 psig reduced pressure)	Part Number
3/4"	Without gauge, relieving, NPT	R119-06J/M2
1"	Without gauge, relieving, NPT	R119-08J/M2
1-1/2"	Without gauge, relieving, NPT	R119-12J/M2

Ordering Information:

R119 - 06 J [] /**

Port Threads		Engineering Level
NPT	-	/** Will Be Entered at Factory
BSPP	G	

Port Size		Options
3/4 inch	06	Blank None
1 inch	08	K Non-Relieving
1-1/2 inch	12	X64* Fluorocarbon O-Rings and Diaphragm
		X71 Non-Bleed (for use with electronic controllers)
		X80 Reverse Flow

Reduced Pressure Range
 Air Pilot Operated J

* Brass bottom plug standard with X64 option.

Most popular.



For inventory, lead times, and kit lookup, visit www.pdnplu.com

K56

Parker Hannifin Corporation
 Pneumatic Division
 Richland, Michigan
www.parker.com/pneumatics

Material Specifications

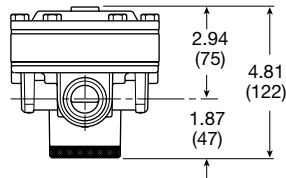
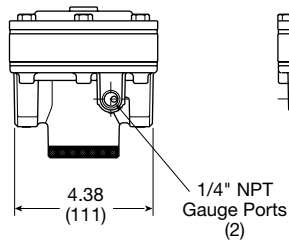
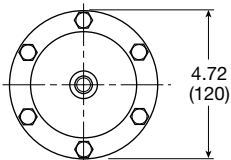
Body, ring, top plate	Zinc
Bottom plug, innervalve	Brass
Seals	Buna N

Repair and Service Kits

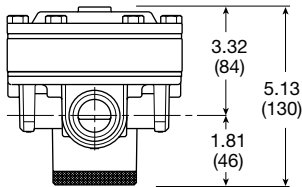
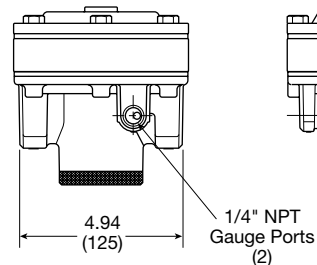
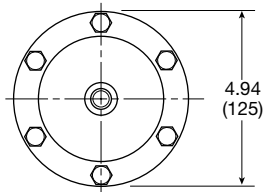
2" dial face 60 psig (0 to 4.1 bar), gauge	K4520N14060
2" dial face 160 psig (0 to 11.0 bar), gauge	K4520N14160
2" dial face 300 psig (0 to 20.7 bar), gauge	K4520N14300
1-3/4" digital round face 160 psig (0 to 11.0 bar), gauge	K4517N14160D
Non-relieving diaphragm, valve assembly (3/4", 1")	RK118X20B
Non-relieving diaphragm, valve assembly (1-1/4", 1-1/2")	RK118X20D
Relieving diaphragm, valve assembly (3/4", 1")	RK119X20B
Relieving diaphragm, valve assembly (1-1/4", 1-1/2")	RK119X20D

For Fluorocarbon Repair Kits, add X64 to Kit Number suffix.

R119-06J, R119-08J



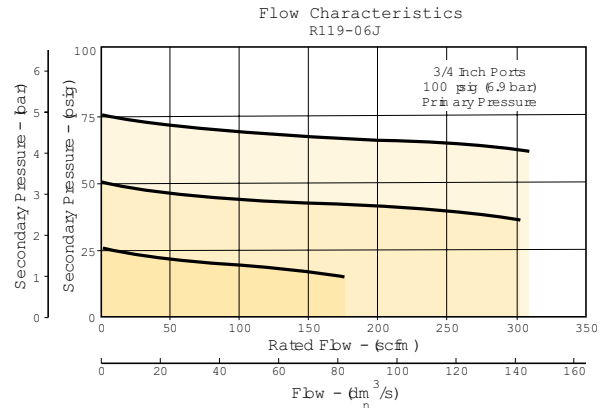
R119-12J



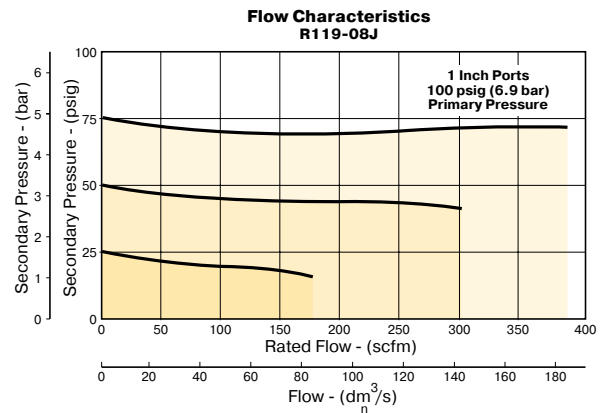
Inches (mm)

Flow Charts

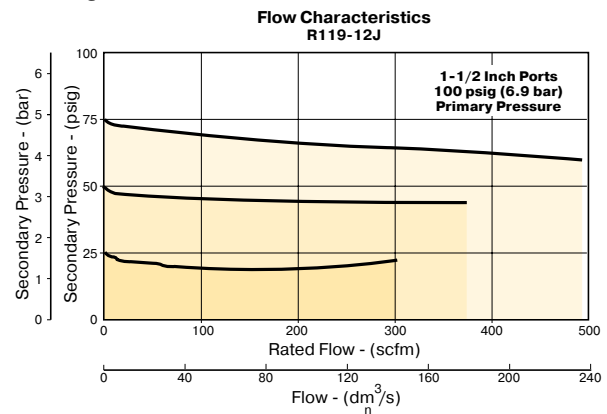
3/4" Regulator



1" Regulator



1-1/2" Regulator



⚠ WARNING

**Product rupture can cause serious injury.
 Do not connect regulator to bottled gas.
 Do not exceed Maximum primary pressure rating.**



For inventory, lead times, and kit lookup, visit www.pdnplu.com

General

Dial

Pilot

Proportional

Precision

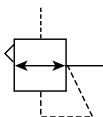
Water

K

Regulator Products

R119 Pilot Operated Regulators - Hi-Flow

- Adapted for control by a remote or distant small pilot regulator. Ideal for maximum capacity requirements in applications where units are not readily accessible
- High flow performance featuring rugged design for the most demanding applications
- Ideal for those installations calling for constant pressure with wide variation in flow
- Piston operated design with balanced poppet and dual constant bleed for quick and accurate regulation
- 2" (NPT, BSPP)



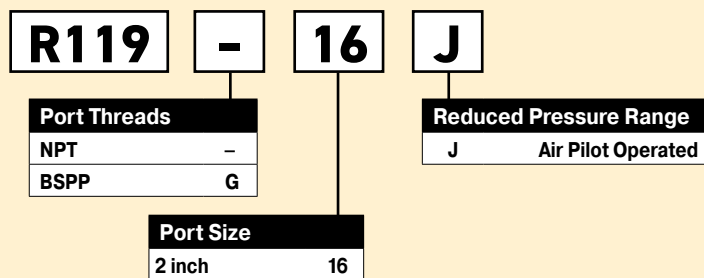
Port Size	Description (0-125 psig reduced pressure)	Part Number
2"	Without Gauge, Relieving, NPT	R119-16J

Operating information

Supply pressure (max):	300 psig (0 to 20.7 bar)
Air consumption:	
Constant bleed from	Air pilot chamber: approx. 0.17 scfm (10 scfh) Reduced pressure: approx. 0.17 scfm (10 scfh)
Operating temperature:	40°F to 120°F (4.4°C to 48.9°C)
Reduced pressure range:	Adjustable to within 5 to 7 psig (0.34 to 0.48 bar) of supply pressure
Flow capacity†:	
High flow	2" 1800 scfm (850 dm³/s, ANR)
Gauge ports (2):	
Can be used for full flow	1/4 inch
High pressure outlet for pilot	1/4 inch
Weight:	15 lb (6.8 kg)

† scfm = Standard cubic feet per minute at 100 psig inlet, 75 psig no flow secondary setting and 20 psig pressure drop.

Ordering Information:



NOTE: Non-relieving not available.

Most popular.



For inventory, lead times, and kit lookup, visit www.pdnplu.com

K58

Parker Hannifin Corporation
 Pneumatic Division
 Richland, Michigan
www.parker.com/pneumatics

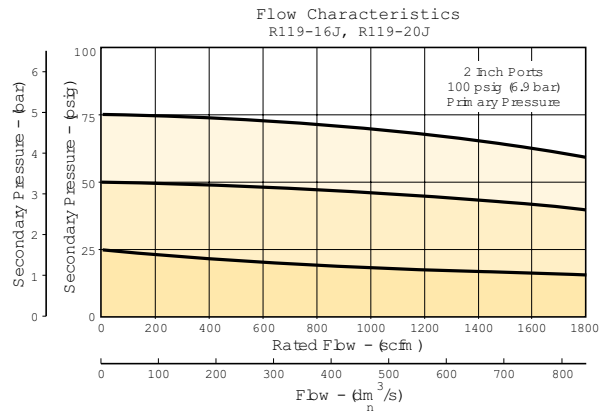
Material Specifications

Body, piston	Aluminum
Seals	Buna N
Innervalve	Brass & stainless

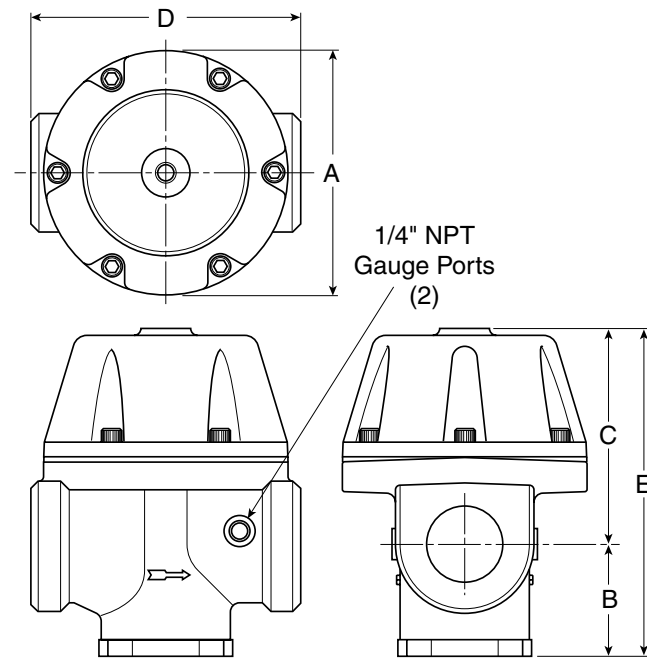
Repair and Service Kits

2" dial face 60 psig (0 to 4.1 bar), gauge	K4520N14060
2" dial face 160 psig (0 to 11.0 bar), gauge	K4520N14160
2" dial face 300 psig (0 to 20.7 bar), gauge	K4520N14300
1-3/4" digital round face 160 psig (0 to 11.0 bar), gauge	K4517N14160D
Piston type regulation (2")	RK119G

Flow Charts



R119-16J



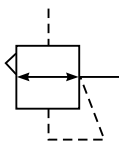
WARNING
Product rupture can cause serious injury.
Do not connect regulator to bottled gas.
Do not exceed Maximum primary pressure rating.

General
Dial
Pilot
Proportional
Precision
Water
K
Regulator Products

General
Dial
Pilot
Proportional
Precision
Water
K
Regulator Products

P3Y Pilot Operated Regulator

- Integral 3/4" or 1" ports (BSPP & NPT)
- Pilot controlled regulators can be mounted "out of reach" with pilot regulator installed in a convenient location
- Constant pilot bleed control for accurate pressure control
- Balanced poppet provides quick response
- High flow



Port Size	Description	Part Number
3/4"	Pilot Operated Regulator	P3YRA96BPPN
1"	Pilot Operated Regulator	P3YRA98BPPN

Operating information

Supply pressure (max):	254 psig (17.5 bar)
Operating temperature:	-40°F to 140°F (-40°C to 60°C)
Flow capacity†:	3/4" 550 scfm (259.6 dm³/s, ANR) 1" 550 scfm (259.6 dm³/s, ANR)
Fluid:	Compressed air
Weight:	2.6 lb (1.2 kg)
† Inlet pressure 145 psig (10 bar) inlet pressure, 91.4 psig (6.3 bar) set pressure and 7.3 psig (0.5 bar) pressure drop.	

Ordering Information

P3YRA
9
6
BPPN

<table border="1" style="width: 100%; border-collapse: collapse;"> <thead> <tr> <th colspan="2" style="background-color: black; color: white;">Basic Series</th> </tr> </thead> <tbody> <tr> <td style="background-color: black; color: white;">Pilot Operated Regulator</td> <td style="text-align: center;">P3YRA</td> </tr> </tbody> </table>	Basic Series		Pilot Operated Regulator	P3YRA	<table border="1" style="width: 100%; border-collapse: collapse;"> <thead> <tr> <th colspan="2" style="background-color: black; color: white;">Thread Type*</th> </tr> </thead> <tbody> <tr> <td style="background-color: black; color: white;">BSPP</td> <td style="text-align: center;">1</td> </tr> <tr> <td style="background-color: black; color: white;">NPT</td> <td style="text-align: center;">9</td> </tr> </tbody> </table>	Thread Type*		BSPP	1	NPT	9	<table border="1" style="width: 100%; border-collapse: collapse;"> <thead> <tr> <th colspan="2" style="background-color: black; color: white;">Port Size</th> </tr> </thead> <tbody> <tr> <td style="background-color: black; color: white;">3/4</td> <td style="text-align: center;">6</td> </tr> <tr> <td style="background-color: black; color: white;">1</td> <td style="text-align: center;">8</td> </tr> </tbody> </table>	Port Size		3/4	6	1	8
Basic Series																		
Pilot Operated Regulator	P3YRA																	
Thread Type*																		
BSPP	1																	
NPT	9																	
Port Size																		
3/4	6																	
1	8																	

*** Note:**
For 1-1/2" ported unit, please order P3YKA*BCP port block kit separately.

 Most popular.



For inventory, lead times, and kit lookup, visit www.pdnplu.com

K60

Parker Hannifin Corporation
Pneumatic Division
Richland, Michigan
www.parker.com/pneumatics

Pilot Operated Regulators

Material specifications

Body	Aluminium
Body cover	ABS
Valve	Brass / NBR composite
Pilot valve booster	Aluminum
Seals	Nitrile NBR
Screws	Zinc plated steel

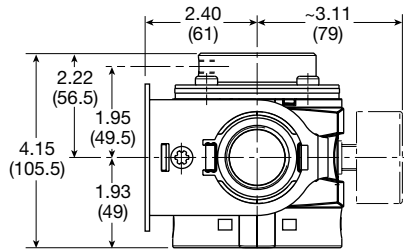
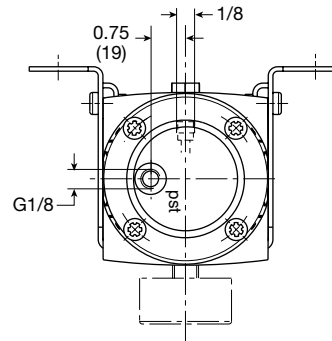
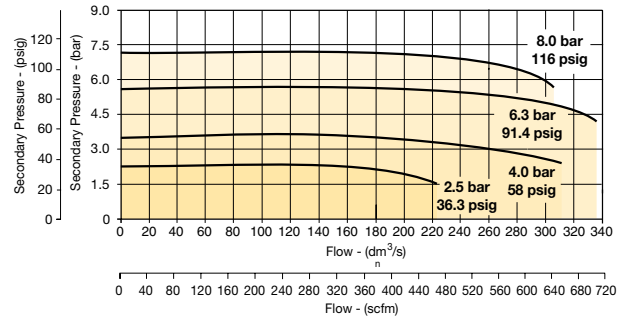
WARNING

**Product rupture can cause serious injury.
Do not connect regulator to bottled gas.
Do not exceed Maximum primary pressure rating.**

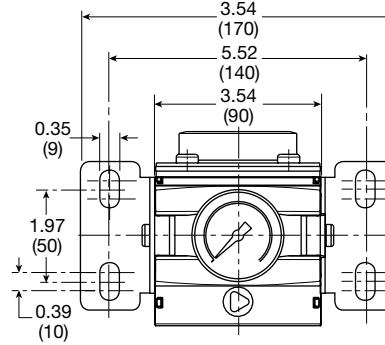
Air Preparation Products Regulator Products

Flow characteristics

3/4" and 1" Pilot Regulator



Inches (mm)



General

Dial

Pilot

Proportional

Precision

Water

K

Regulator Products

P31P & P32P Proportional Regulators

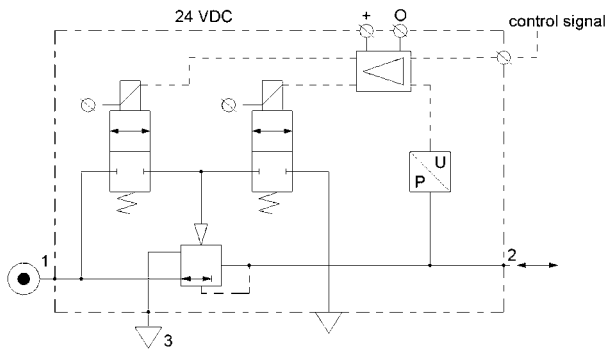
- Very fast response times
- Accurate output pressure
- Parameter settings
- Selectable I/O parameters
- Quick, full flow exhaust
- LED display indicates output pressure
- No air consumption in steady state
- Multiple mounting options
- Protection to IP65



**P31P Series
 Bottom exhaust**



**P32P Series
 Bottom exhaust**



Port Size	Description	Part Number
1/4"	145 psig (0-10 bar), NC 0-10V	P31PA92AD2VD1A
1/2"	145 psig (0-10 bar), NC 0-10V	P32PA92AD2VD1A

Operating information

Flow capacity*:	P31P	40 scfm (19 dm ³ /s, ANR)
	P32P	120 scfm (57 dm ³ /s, ANR)
Temperature range:	32°F to 122°F (0°C to 50°C)	
Supply pressure (max):	2 bar unit	36.3 psig (2.5 bar)
	10 bar unit	152 psig (10.5 bar)
Operating pressure (min):	P2 pressure + 7.3 psig (0.5 bar)	
Working medium:	Compressed air or inert gasses, filtered to 40µ	
Pressure range:	0 to 30 psig (0 to 2 bar)	
	0 to 145 psig (0 to 10 bar)	
Weight:	P31P	0.64 lb (0.291 kg)
	P32P	1.42 lb (0.645 kg)

* Inlet pressure 91.3 psig (6.3 bar), inlet pressure and 4.9 psig (0.34 bar) pressure drop.

Ordering Information:

P31PA 9 2 A D 2 V D 1 A

Body Size	Thread Type	Power Supply	Control Signal	Input Connector
Global Modular Mini (1/4") P31PA	BSPP 1	2 24 Volts	V 0-10V [†]	1 M12 (4-pin)
Global Modular Compact (1/2") P32PA	BSPT 2			
	NPT 9			
Port Size	Version	Pressure Range	Output Signal	
Global Modular Mini (1/4") 2	Bottom Ported Exhaust (NC) A	Z 0 - 29 psig (0 - 2 bar)	D Digital, PNP	
Global Modular Compact (1/2") 4	Bottom Ported Forced Exhaust (NO) [†] E	D 0 - 145 psig (0 - 10 bar)	P PNP or 0-10V	
			N NPN or 0-10V	
			M 4-20mA Fixed	

[†] When the supply voltage is lost the unit will automatically exhaust the regulated pressure to 0 bar (atmospheric pressure)

[‡] Factory setting is 0-10 V control signal. 4-20 mA control signal available via parameter 4 on keypad.

D) Digital PNP output only, no analog output selectable
 P) Digital PNP and analogue 0-10V outputs selectable, by means of parameter 6. (Factory default 0-10V)
 N) Digital NPN and analogue 0-10 V outputs selectable by means of parameter 6. (Factory default 0-10V)
 M) Analog 4-20mA output only.
 Note: On all analog outputs the F.S. value can be adjusted by means of parameter 8.

Most popular.



For inventory, lead times, and kit lookup, visit www.pdnplu.com

K62

Parker Hannifin Corporation
 Pneumatic Division
 Richland, Michigan
www.parker.com/pneumatics

Proportional Regulators

Technical Information

Accuracy

+/- 1.0% of F.S.*

* Full scale (F.S.) - For 2 bar (29 psig) versions this will be 2 bar (29 psig), for the 10 bar (145 psig) version full scale will be 10 bar (145 psig).

Air consumption

No consumption in stable regulated situation.

Display

The regulator is provided with a digital display, indicating the output pressure, either in bar or psig.

The factory setting is as indicated on the label, can be changed through to software at all times (parameter 14)

Supply voltage

24 VDC +/- 10%

Power consumption

Max. 1.1W with unloaded signal outputs

Control signals

The electronic pressure regulator can be externally controlled through an analogue control signal of either 0-10V or 4-20mA. (parameter 4).

Output signals

As soon as the output pressure is within the signal band a signal is given of 24VDC, PNP Ri = 1 kOhm
Outside the signal band this connection is 0V.

Connections

(In case of output signal (Option D)

Central M12 connector 4-pole

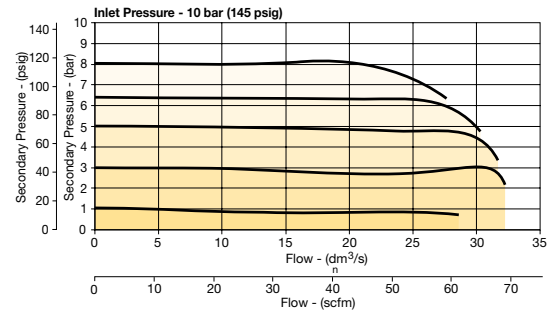
The electrical connections are as follows:

Pin No.	Function	Color
1	24 V Supply	Brown
2	0 to 10 V Control Signal Ri = 100k Ω	White
	4 to 20mA Control Signal Ri = 500 Ω	
3	0 V (GND) Supply & Set Point Ground	Blue
4	24 V Alarm Output Signal	Black

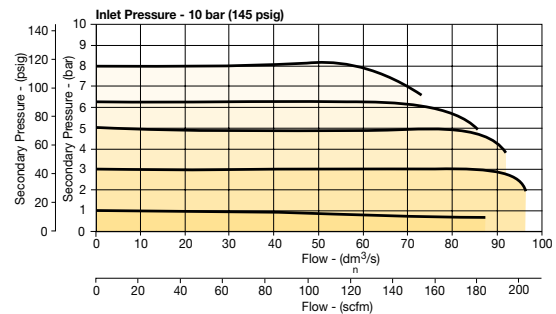
Air Preparation Products Regulator Products

Flow Charts

P31P Regulator 1/4" Ports



P32P Regulator 1/2" Ports



Degree of protection: IP65

EU conformity

CE: standard

EMC: according to directive 89/336/EEC

This pressure regulator is in accordance with:

EN 61000-6-1:2001

EN 61000-6-2:2001

EN 61000-6-3:2001

EN 61000-6-4:2001

Mounting position

Preferably vertical, with the cable gland on top.

Materials: P31P & P32P

Magnet core	Steel
Solenoid valve poppet	FPM
Solenoid valve housing	Techno polymer
Regulator body (P31P & P32P versions)	Aluminum
Regulator top housing	Nylon
Valve head	Brass & NBR
Remaining seals	NBR

How to change parameters – How to Videos available at www.pdnetools.com

Pressing the Accept key “acc” for more than 3 seconds, will activate parameter change mode. The user can then select the parameters by pressing up or down key (display will show Pxx). When parameter number is correct, pressing accept again will enter parameter number (display will show parameter value).

When the unit is initially powered up allow approximately 10 seconds for the unit to “boot-up” before changing parameter settings.

Only parameter numbers 0, 4, 6, 8, 9, 14, 18, 19, 20, 12, 13 and 21 are accessible to edit. All other parameters are fixed.

Pressing the up or down key will change the parameter itself (display will flash indicating parameter editing mode). Pressing the accept key will accept the new parameter value (all digits will flash whilst being accepted).

Manual mode:

When keys DOWN and UP are pressed during startup, (connecting to the 24V power supply) manual mode is activated. This means that the user is able to in/decrease the output pressure of the regulator, by pressing the UP or DOWN key. During this action the display will blink, indicating that the manual mode is activated. After powering up again, the unit will revert back to normal mode.















After releasing all keys, the next parameter number will be presented on the display (you may step to the next parameter). When no key is pressed, after 3 seconds the display will show the actual output pressure.

Back to Factory Setting

After start up. (Power is on)

Entering this value in parameter 0 will store the calibrated factory data into the working parameters. (Default calibration data is used)















Parameter Number 0 - Reset Back to Factory Settings

Step	1	2	3	4	5	
Press 	 3-6 seconds	 or 		 or 		
Until Display Reads			 Flashing Decimal	 Flashing Decimal	 Flashing	
Description	Accesses changeable parameters.	Accesses parameter no. 0.	Displays current parameter value.	Edits parameter. 3 = standard factory settings. If other than 3, use Up or Down Arrow and accept 3	Accepts and saves new parameter setting.	Sequences to next parameter.

Set Control Signal

The unit is factory set for 0-10 V control signal. If 4-20 mA control signal is required, change parameter 4.

Parameter Number 4 - Set Control Signal in Volts or Milliamps

Step	1	2	3	4	5	
Press 	 3-6 seconds	 or 		 or 		
Until Display Reads			 Flashing Decimal	 Flashing Decimal	 Flashing	
Description	Accesses changeable parameters.	Accesses parameter no. 4.	Displays current parameter value. 1 = V 0 = mA	Edits parameter.	Accepts and saves new parameter setting.	Sequences to next parameter.

How to Videos at www.pdnetools.com



For inventory, lead times, and kit lookup, visit www.pdnplu.com

General
Dial
Pilot
Proportional
Precision
Water
K
Regulator Products

Set Output Signal

Parameter 6 is used to set the type of output signal to your PLC.
 This parameter is used as follows:

Output Signal option “0” = Digital Output – PNP

- Factory set at “0” Non Adjustable

Output Signal option “P” = Digital PNP or Analog 1-10V

- Factory set at “1” for Analog Signal
- Convert to Digital PNP by changing parameter to “0” setting

Output Signal option “N” = Digital NPN or Analog 1-10V

- Factory set at “1” Analog Signal
- Convert to Digital NPN by changing parameter to “0”

Output Signal option “M” = Analog 4-20 mA

- Factory set at “2” Non Adjustable

General

Dial

Pilot

Proportional



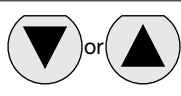

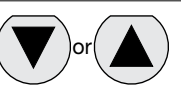







Precision

Water

K

Regulator Products

Parameter Number 6 – Set Output Signal

Step	1	2	3	4	5	
Press 	 3-6 seconds					
Until Display Reads			 Flashing Decimal	 Flashing Decimal (Value 0, 1 or 2)	 Flashing	
Description	Accesses changeable parameters.	Accesses parameter no. 6.	Displays current parameter value. 1 = m factory default for P3H with analog options	Edits parameter. 0 = digital (NPN or PNP) 1 = analog 0..10V 2 = analog 4..20 mA	Accepts and saves new parameter setting.	Sequences to next parameter.


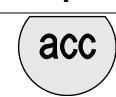
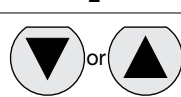
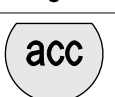
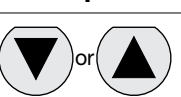
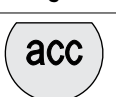


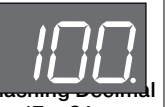



Adjust Span Analog Output Signal

Set value is a % of Full Analog range. As an example for a 0-10V output signal, the original factory setting of 100% will give you an adjustment of 0-10V. If you reset Parameter 8 to 50%, the new output range would be 0-5V or 50% of the full range.

In the event that the output signal is too low, in a certain application, you can adjust it by increasing Parameter 8 to a maximum value of 130% of scale.

Note that all values are nominal and that an actual measurement may be required to ensure signal strength.

Parameter Number 8 – Adjust Span Analog Output Signal

Step	1	2	3	4	5	
Press 	 3-6 seconds					
Until Display Reads			 Flashing Decimal (For 2 bar versions value = 92)	 Flashing Decimal (Value between 0 and 130)	 Flashing	
Description	Accesses changeable parameters.	Accesses parameter no. 8.	Displays current parameter value.	Edits parameter.	Accepts and saves new parameter setting and implements the new analog signal span.	Sequences to next parameter.

How to Videos at www.pdnetools.com



For inventory, lead times, and kit lookup, visit www.pdnplu.com



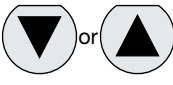

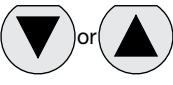







K65

Parker Hannifin Corporation
 Pneumatic Division
 Richland, Michigan
www.parker.com/pneumatics

Adjust Digital Display

If necessary, adjustments can be made to the digital display when using an external pressure sensor.



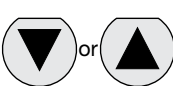

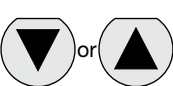







Parameter Number 9 - Adjust Digital Display Value (Pressure Calibration)

Step	1	2	3	4	5	
Press 	 3-6 seconds					
Until Display Reads			 Flashing Decimal	 Flashing Decimal	 Flashing	
Description	Accesses changeable parameters.	Accesses parameter no. 9.	Displays current digital display	Use up or down arrows and accept to adjust the display value if using an external pressure sensor.	Accepts and saves new parameter setting.	Sequences to next parameter.

Set Pressure Scale

Units with NPT port threads are supplied with a factory set psig pressure scale. Use parameter 14 to change scale to bar.

Parameter Number 14 - Set Pressure Scale in psig or bar

Step	1	2	3	4	5	
Press 	 3-6 seconds					
Until Display Reads			 Flashing Decimal	 Flashing Decimal	 Flashing	
Description	Accesses changeable parameters.	Accesses parameter no. 14.	Displays current parameter value. 1 = psig 0 = bar 2 = MPa	Edits parameter.	Accepts and saves new parameter setting.	Sequences to next parameter.



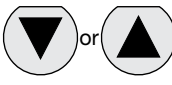

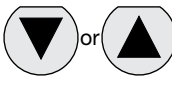







How to Videos at www.pdnetools.com



For inventory, lead times, and kit lookup, visit www.pdnplu.com

Preset Minimum Pressure

If there is a need for a pre-set Minimum pressure, use parameter 18. (Note: preset pressure is affected by % P19.)

Parameter Number 18 - Set Minimum Preset Pressure						
Step	1	2	3	4	5	
Press 	 3-6 seconds					
Until Display Reads			 Flashing Decimal	 Flashing Decimal (value between 0 and 200)	 Flashing	
Description	Accesses changeable parameters.	Accesses parameter no. 18.	Displays current parameter value. Incremental value is: 2 bar unit: $x 2 \text{ mbar} \times \% P19$ 10 bar unit: $x 10 \text{ mbar} \times \% P19$	Edits parameter.	Accepts and saves new parameter setting.	Sequences to next parameter.



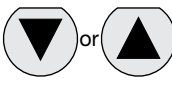

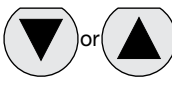







Set Pressure Correction

Pressure correction allows the user to set a Maximum pressure as a percentage of secondary pressure F.S.

Example: If F.S. is 10 bar, set parameter 19 to 50 for Maximum preset pressure of 5 bar.

Pressure correction also affects the Minimum preset pressure in parameter 18.

Example: If F.S. is 10 bar and parameter 18 is set to a value of 100 (1 bar), and parameter 19 is set to 50%, then the actual Minimum preset pressure seen is 0.5 bar.

Parameter Number 19 - Set Maximum Preset Pressure						
Step	1	2	3	4	5	
Press 	 3-6 seconds					
Until Display Reads			 Flashing Decimal	 Flashing Decimal (value between 0 and 100)	 Flashing	
Description	Accesses changeable parameters.	Accesses parameter no. 19.	Displays current parameter value. Incremental value is: % of F.S.	Edits parameter.	Accepts and saves new parameter setting.	Sequences to next parameter.

How to Videos at www.pdnetools.com



For inventory, lead times, and kit lookup, visit www.pdnplu.com

K67

Parker Hannifin Corporation
 Pneumatic Division
 Richland, Michigan
www.parker.com/pneumatics

General

Dial

Pilot

Proportional

Precision

Water



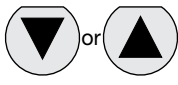

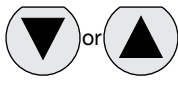







K

Regulator Products

Behavior Control

The regulation speed of the pressure regulator can be modified by means of one parameter. (P 20)
The value in this parameter has a range from 0-5. A higher value indicates slower regulation speed, but will be more stable.

Parameter Number 20 - Set Behavior Control



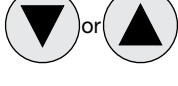

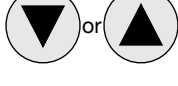







Step	1	2	3	4	5	
Press 	 3-6 seconds					
Until Display Reads			 Flashing Decimal	 Flashing Decimal (value between 0 and 5)	 Flashing	
Description	Accesses changeable parameters.	Accesses parameter no. 20.	Displays current parameter value.	Edits parameter 0 = custom set* 1 = fastest (narrow proportional band) 2 = fast 3 = normal 4 = slow 5 = slowest (proportional band is broad)	Accepts and saves new parameter setting.	Sequences to next parameter.

* When the value 0 is entered, you are able to create your own custom settings true parameters 12, 13 and 21.

**Fine Settings
Set Proportional Band**

Proportional band is used for setting the reaction sensitivity of the regulator. The displayed value is X 10 mbar and has a range between 50 (0.5 bar) and 250 (2.5 bar).

Parameter Number 12 - Set Proportional Band (P20 Must be Set to 0)

Step	1	2	3	4	5	
Press 	 3-6 seconds					
Until Display Reads			 Flashing Decimal	 Flashing Decimal (value between 50 and 250)	 Flashing	
Description	Accesses changeable parameters.	Accesses parameter no. 12.	Displays current parameter value. Incremental value is: x 10 mbar	Edits parameter.	Accepts and saves new parameter setting.	Sequences to next parameter.

How to Videos at www.pdnetools.com



For inventory, lead times, and kit lookup, visit www.pdnplu.com



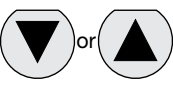

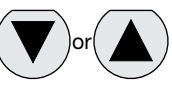


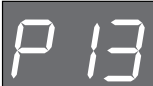




K68

Parker Hannifin Corporation
Pneumatic Division
Richland, Michigan
www.parker.com/pneumatics

Set Deadband



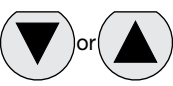

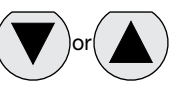







Deadband is the Minimum limit of accuracy at which the regulator is set for normal operation. The displayed value is X 10 mbar and has a range between 4 (40 mbar) and 40 (400 mbar).

Parameter Number 13 - Set Deadband (P20 Must be Set to 0)



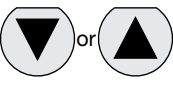




Step	1	2	3	4	5	
Press 	 3-6 seconds					
Until Display Reads			 Flashing Decimal	 Flashing Decimal (value between 4 and 40)	 Flashing	
Description	Accesses changeable parameters.	Accesses parameter no. 13.	Displays current parameter value. Incremental value is x 10 mbar	Edits parameter.	Accepts and saves new parameter setting.	Sequences to next parameter.

Proportional Effect

Parameter Number 21 - Set Proportional Effect (P20 Must be Set to 0)

Step	1	2	3	4	5	
Press 	 3-6 seconds					
Until Display Reads			 Flashing Decimal	 Flashing Decimal (value between 5 and 100)	 Flashing	
Description	Accesses changeable parameters.	Accesses parameter no. 21.	Displays current parameter value.	Edits parameter. 5 = fastest regulation 100 = slowest regulation.	Accepts and saves new parameter setting.	Sequences to next parameter.

Parameter Number 39 - Displays Current Software Version

Step	1	2	3	
Press 	 3-6 seconds			
Until Display Reads			 Flashing Decimal	
Description	Accesses changeable parameters.	Accesses parameter no. 39.	Displays current parameter value. XXX = current software version	

How to Videos at www.pdnetools.com



For inventory, lead times, and kit lookup, visit www.pdnplu.com

K69

Parker Hannifin Corporation
 Pneumatic Division
 Richland, Michigan
www.parker.com/pneumatics

General

Dial

Pilot

Proportional

Precision

Water

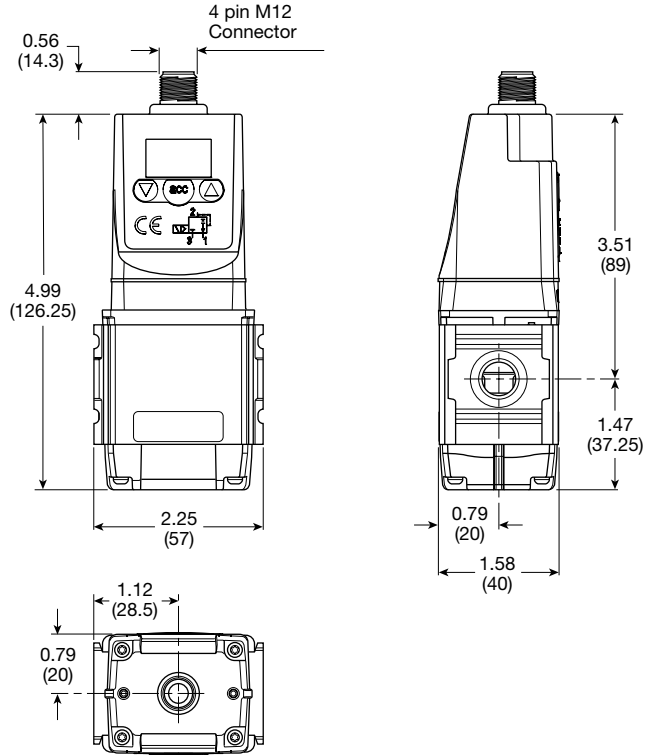
K

Regulator Products

General
Dial
Pilot
Proportional
Precision
Water
K
Regulator Products

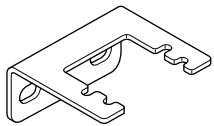
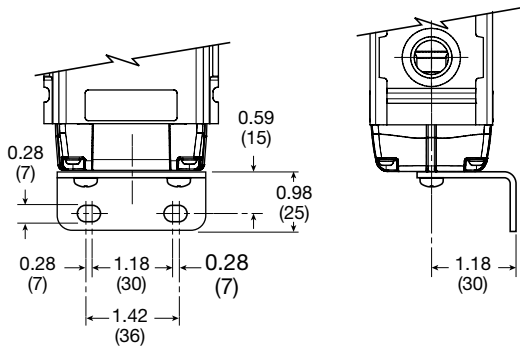
P31P

Dimensions inches (mm)



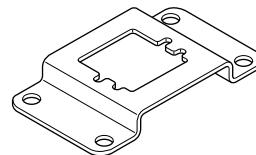
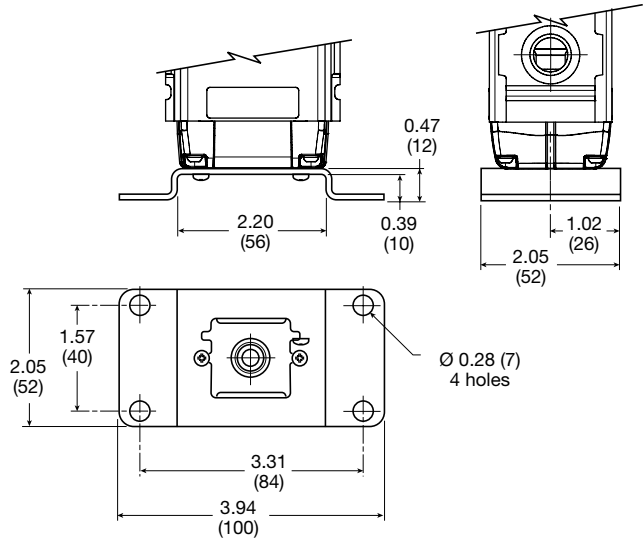
L-Bracket

P3HKA00ML



Foot Bracket

P3HKA00MC



Cables

Description	Part Number
2 mtr. cable with moulded straight M12x1 connector	CB-M12-4P-2M

Most popular.



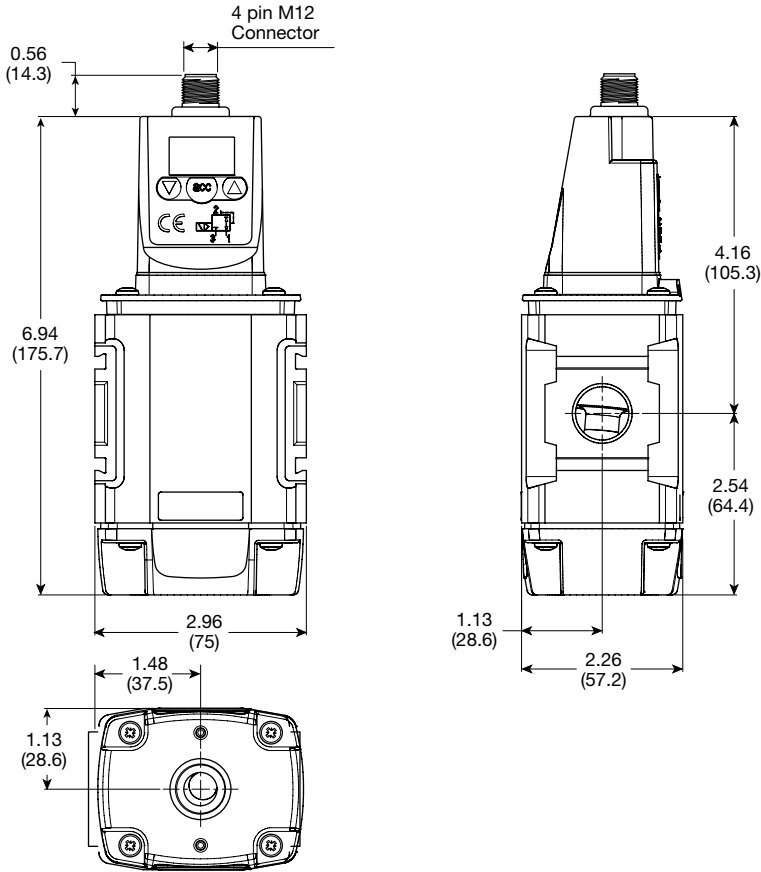
For inventory, lead times, and kit lookup, visit www.pdnplu.com

Proportional Regulators

**Air Preparation Products
Regulator Products**

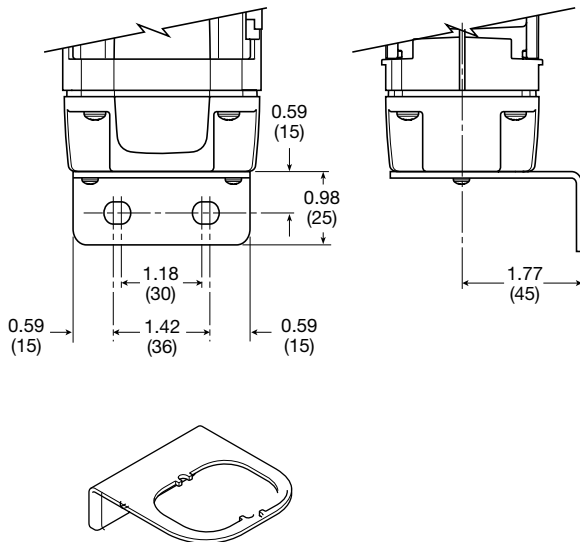
P32P

Dimensions inches (mm)



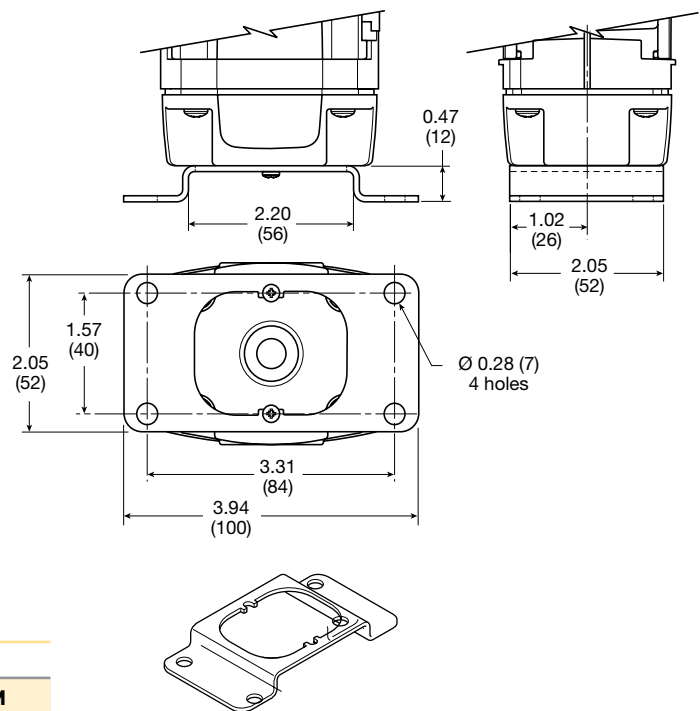
L-Bracket

P3KKA00ML



Foot Bracket

P3KKA00MC



Cables

Description	Part Number
2 mtr. cable with moulded straight M12x1 connector	CB-M12-4P-2M

Most popular.



For inventory, lead times, and kit lookup, visit www.pdnplu.com

K71

Parker Hannifin Corporation
Pneumatic Division
Richland, Michigan
www.parker.com/pneumatics

General

Dial

Pilot

Proportional

Precision

Water

K

Regulator Products

PAR™-15 Programmable Air Regulating Valve

PAR™-15 is a unique 3-Way, programmable, air regulating valve that functions as a precise, high-flow, multi-purpose regulator.

Signals from a computer, programmable controllers or from simple electrical switches, fed to the valve's four solenoids, control the division of a single inlet pressure into any one of fifteen equally spaced output pressures.

The valve's response is instant and repeatable, reducing the need for expensive feedback controls.

It goes far beyond the capabilities of conventional controls by providing a limitless range of application possibilities including cylinder pressure/stroke control, clamping, retracting, approach, flow, and impact.

PAR™-15 eliminates shock absorbers, increases tool life, saves air, and reduces workpiece damage.

- Full flow capacity for direct air device operation.
- Quick, full flow exhaust.
- Instantly repeatable response.
- Air saving design, close crossover, non-constant bleed.
- Wide range of discrete output pressures.
- Normally closed or normally open operators.
- Compatible with computers and programmable controllers with digital solid state relay outputs.
- Meets NEMA 4 standard (6-Pin option only).

Life Expectancy

Normal multi-million cycle life expectancy of these valves is based on the use of properly filtered air at room temperature.



No Enclosure



NEMA 4 Enclosure - 6-Pin Connector

Operating information

Pressure range:	
Inlet (max)	150 psig (1035 kPa)
Output (min)	6 psig (41 kPa)
Temperature range (ambient)†:	32°F to 140°F (0°C to 60°C)
Voltage range:	+10% to -10% of rating
Flow capacity:	
Inlet to outlet	275 scfm (129.8 dm³/s, ANR)
Outlet to exhaust	225 scfm (106.2 dm³/s, ANR)
Output response:	20 milliseconds
Weight:	
Without enclosure	6.3 lb (2.9 kg)
With 6-pin & cord	8.0 lb (3.6 kg)

⚠ † Caution: If it is possible that the ambient temperature may fall below freezing, the media must be moisture free to prevent internal damage or unpredictable behavior.

Solenoid Operated – Normally Closed – Internal Pilot*

Port Size			Solenoid Operated – Normally Closed – Internal Pilot*		
Body	Pilot	Voltage/Cycle	No Enclosure	NEMA 4 Enclosure - 6-Pin Connector	
				Quadrant 2 †	Quadrant 4 †
1/2"	1/8"	24V/60Hz	W21540172B	W21542172B	W21544172B
1/2"	1/8"	12VDC	W21540175B	W21542175B	W21544175B
1/2"	1/8"	24VDC	W21540179B	W21542179B	W21544179B
1/2"	1/8"	110/120V / 50/60Hz	W21540183B	W21542183B	W21544183B

* Normally open and external pilot options also available.

† Theoretically Quadrant 1 is defined as the 6-Pin connector on the same face with the inlet port. Looking from the top down and rotating the enclosure clockwise 90° you get Quadrant 2 or 270° for Quadrant 4.

Material Specifications

Body, Bottom and Top Plates	Aluminum
Divider	Aluminum
Piston	Acetal
Poppet	Aluminum
Poppet guide	Aluminum
Poppet seal	Fluorocarbon
Seals	Nitrile
Spring	Stainless steel

☐ Most popular.

Lubrication

Although the valve does not require lubrication for a normal service life, use of SAE 10 mineral base oil is recommended to extend component life. This should be supplied using a 1/2 inch full flow lubricator located upstream of the valve inlet port.

CAUTION: DO NOT USE SYNTHETIC, RECONSTITUTED, OR OILS WITH AN ALCOHOL CONTENT.

Wiring

Follow all national and local electrical codes.

General
Dial
Pilot
Proportional
Precision
Water
K
Regulator Products



For inventory, lead times, and kit lookup, visit www.pdnplu.com

Ordering Information:

W21

Basic Series
PAR™-15 Version 2.0

5

Actuation
Solenoid Operated

4

Port Size / Thread Type
1/2" NPT

2

1

83

Voltage

72	24V/60 Hz
75	12VDC
79	24VDC
83	120/110V 60/50 Hz

L

Label / Temp Option
Blank Standard Temperatures

B

Engineering Level
B Current

Solenoid Type / Pilot Source

1	Normally Closed / Internal Pilot
3	Normally Closed / External Pilot
5	Normally Open / Internal Pilot
7	Normally Open / External Pilot

Enclosure / Connector Quadrant			
No Enclosure	0	Nema 4 Enclosure with 6-pin Micro Connector at Quadrant 4, Cord Included	F
Metal Enclosure with 7/8" Conduit Opening at Quadrant 2	1	Nema 4 Enclosure with 6-pin Micro Connector at Quadrant 2, No Cord	G
Nema 4 Enclosure with 6-pin Mini Connector Quadrant 2, Cord Included	2	Nema 4 Enclosure with 6-pin Micro Connector at Quadrant 4, No Cord	H
Metal Enclosure with 7/8" Conduit Opening at Quadrant 4	3	Lighted Enclosure with 6-pin Micro Connector at Quadrant 2, Cord Included	K*
Nema 4 Enclosure with 6-pin Mini Connector Quadrant 4, Cord Included	4	Lighted Enclosure with 6-pin Micro Connector at Quadrant 2, No Cord	L*
Nema 4 Enclosure with 6-pin Mini Connector Quadrant 2, No Cord	5	Lighted Enclosure with 6-pin Mini Connector at Quadrant 4, Cord Included	M*
Nema 4 Enclosure with 6-pin Mini Connector Quadrant 4, No Cord	6	Lighted Enclosure with 6-pin Mini Connector at Quadrant 4, No Cord	N*
Lighted Enclosure with 6-pin Mini Connector at Quadrant 2, Cord Included	B*	Lighted Enclosure with 6-pin Micro Connector at Quadrant 4, Cord Included	P*
Lighted Enclosure with 6-pin Mini Connector at Quadrant 2, No Cord	C*	Lighted Enclosure with 6-pin Micro Connector at Quadrant 4, No Cord	Q*
Nema 4 Enclosure with 6-pin Micro Connector at Quadrant 2, Cord Included	E		

Theoretically, Quadrant 1 is defined as the 6-Pin Connector on the same face with the inlet port. Looking from the top down and rotating the enclosure clockwise 90° you get Quadrant 2 or 270° for Quadrant 4.

* Available in 24VDC and 120VAC Only. Not NEMA 4 rated.

General

Dial

Pilot

Proportional

Precision

Water

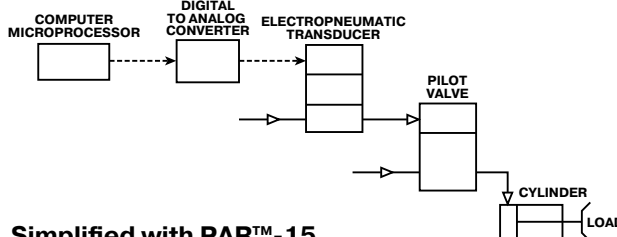
Regulator Products

Electropneumatic System

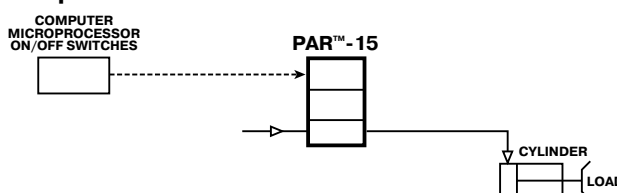
A conventional system is usually composed by several electronic and pneumatic components as shown on the schematic. The cylinder which is moving a load is operated with a pilot valve which receives the instructions from an electro-pneumatic transducer. The transducer converts electronic signals to pneumatic signals. These electronic signals are usually of an analog type, but controllers/computer microprocessors send digital signals as outputs, therefore, a digital to analog signal converter is required.

The simplified schematic with the PARTM-15 is reduced to fewer components since the PARTM-15 takes the place of the digital to analog converter, the electro-pneumatic transducer, and the pilot valve. The benefits being fewer components, and less maintenance and downtime.

Conventional

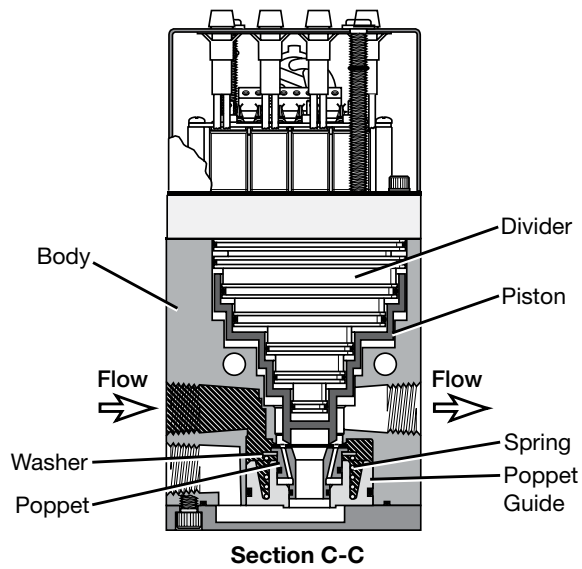
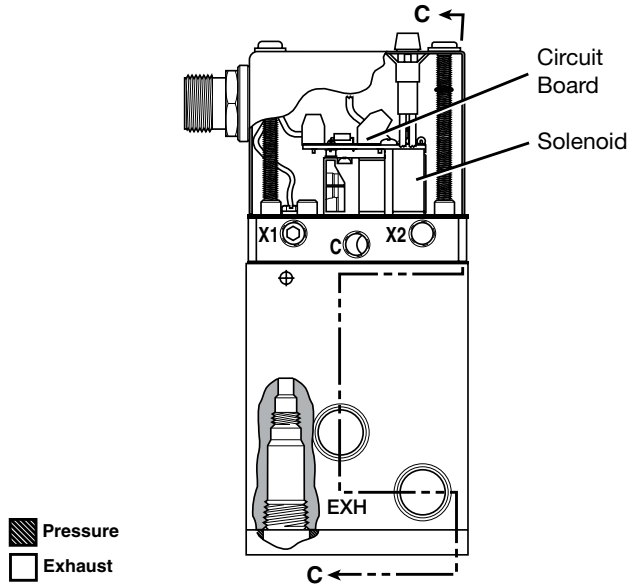


Simplified with PAR™-15



For inventory, lead times, and kit lookup, visit www.pdnplu.com

General
Dial
Pilot
Proportional
Precision
Water
K
Regulator Products



Application

Pneumatic systems operating under multiple pressures, and requiring almost instantaneous pressure changes are good application cases for the PAR™-15. Usually the more pressures needed for a particular operation, the easier it is to justify the valve, since it will take the place of several pneumatic regulators and selector valves.

Among the most common applications are brakes and clutches, painting, printing feeds and tension, robotics, and spot welding.

Other Applications:

- Air Chucks
- Air Cylinder Control
- Air Winches
- Blow Molding Control
- Contact Force Control
- Conveyor Control
- Die Cushioning
- Dynamic Braking
- Fuel Control
- Hopper Control
- Robot Gripper Control
- Valve Positioning
- Variable Clamping
- Variable Pressure Processing
- Torque Control
- Wire Tensioning

Operation

Four solenoids are controlled by on/off signals that selectively

divide any input pressure into any one of 15 equally spaced pressures plus zero. See the truth table.

Full flow exhaust permits instant reduction to any lower selected pressure or zero. High relief capacity quickly vents downstream overpressure. The output pressure will begin to change within 20 milliseconds after a change in the electrical input to one or more of the solenoids. However, the time which elapses until the output pressure reaches the new level will depend upon the volume of air, the size of the connection from the PAR™-15 valve and the magnitude of the pressure change.

A small regulator may be used to feed the external pilot port X1 on units with normally closed solenoid operators or X2 on units with normally open solenoid operators. The PAR™-15 valve will then divide this pressure independent of mainline supply pressure so long as the pilot regulator is set to a pressure below the mainline supply pressure. A regulated external supply will eliminate the effects of fluctuating mainline pressures. (NOTE: A regulator placed upstream of the inlet also eliminates the effects of fluctuating pressures).

The PAR™-15 is available with two types of output pressure regulation: increasing output and decreasing output. In the increasing output pressure regulation type, normally closed solenoid operators are used to divide the input pressure into 15 equal steps, ranging from 0 PSIG (all solenoid operators de-energized) to full line pressure (all solenoid operators energized). With the decreasing output pressure regulation type, normally open solenoid operators are used to divide the input pressure into 15 equal steps, but starting with full line pressure (all solenoid operators de-energized) and ending with 0 PSIG (all solenoid operators energized).



For inventory, lead times, and kit lookup, visit www.pdnplu.com

Truth Table

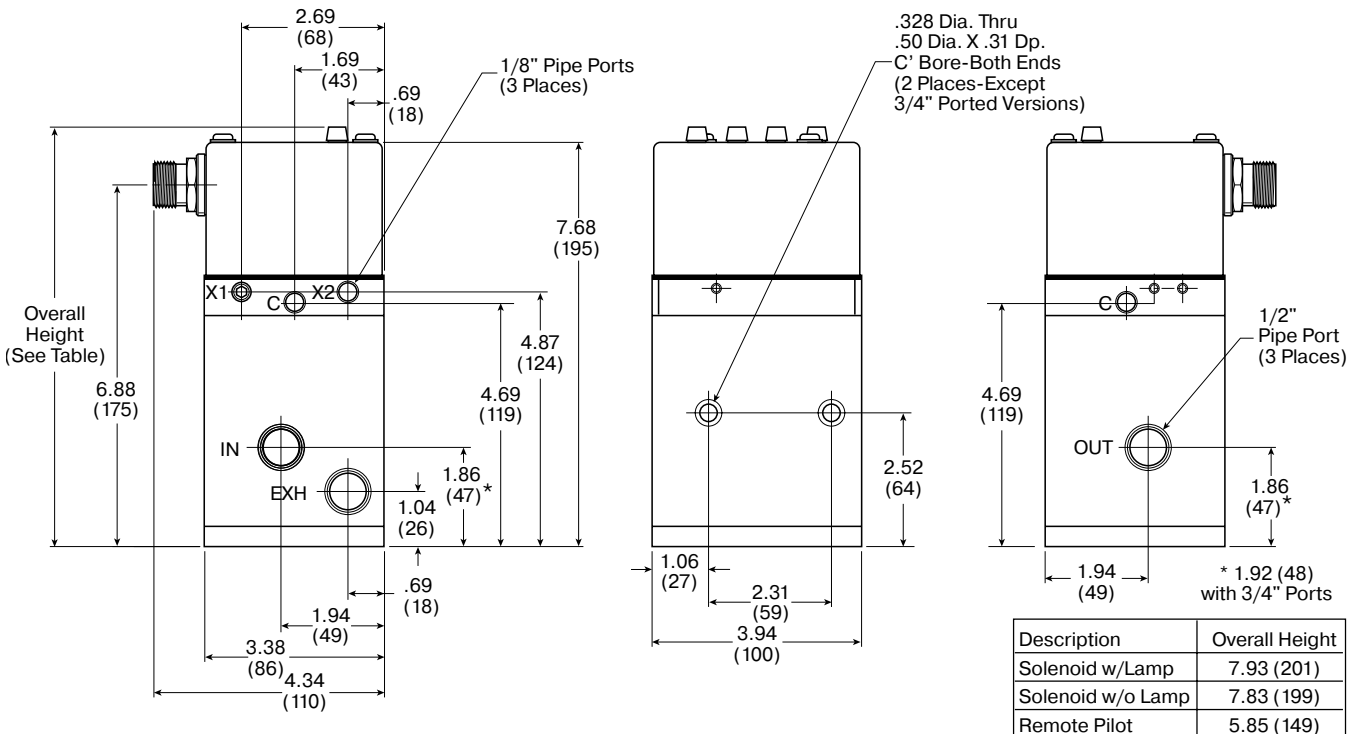
Normally Closed Valves / Solenoids	Normally Open Valves / Solenoids			
Binary Input * 8 4 2 1	Binary Input * 8 4 2 1	Proportion of Inlet Pressure	PSIG Output@ 75 PSIG Inlet ^{††}	PSIG Output@ 90 PSIG Inlet
Pin Number [†] 5 3 2 1	Pin Number [†] 5 3 2 1			
0000	1111	0	0	0
0001	1110	1/15	5	6
0010	1101	2/15	10	12
0011	1100	3/15	15	18
0100	1011	4/15	20	24
0101	1010	5/15	25	30
0110	1001	6/15	30	36
0111	1000	7/15	35	42
1000	0111	8/15	40	48
1001	0110	9/15	45	54
1010	0101	10/15	50	60
1011	0100	11/15	55	66
1100	0011	12/15	60	72
1101	0010	13/15	65	78
1110	0001	14/15	70	84
1111	0000	15/15	75	90

Table above illustrates available output pressures for inlet pressures of 75 PSIG and 90 PSIG. Inlet pressure may be any value between 15 and 150 PSIG. Output pressure increment will be 1/15 of inlet pressure.

* 0 = Voltage "OFF"
1 = Voltage "ON"

† Available only on units with 6-Pin connector.

†† Shaded output pressures shown are theoretical and are below the minimum operating range of the valve and should not be used. Please refer to the Engineering Specifications for minimum output.



For inventory, lead times, and kit lookup, visit www.pdnplu.com

K75

Parker Hannifin Corporation
Pneumatic Division
Richland, Michigan
www.parker.com/pneumatics

General

Dial

Pilot

Proportional

Precision

Water

K

Regulator Products

Programmable Air Regulating Valve

Air Preparation Products Regulator Products

Narrow Band Control

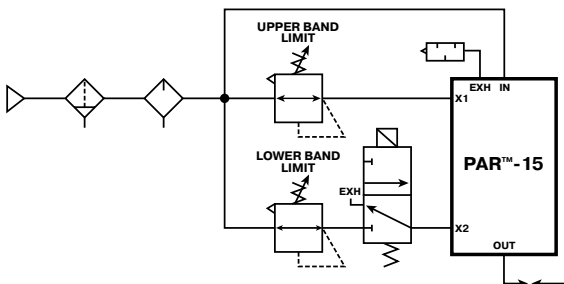
The PAR™-15 can also be used to provide a narrower band of output pressures with the lowest selected pressure greater than zero.

EXAMPLE:

Assume valve with normally closed solenoids. Customer desires to divide a range from 25 PSIG to 100 PSIG into 15 increments of 5 PSIG each. This is done by applying 100 PSIG to the external pilot supply port X1 and 25 PSIG to the pilot exhaust port X2.

Two 1/8 inch relieving regulators are required. The addition of one 3-Way normally closed solenoid operated valve allows the additional selection of 0 PSIG. These are connected as shown in the diagram. The relieving regulators set the upper and lower band limits. With a normally closed PAR™-15 valve, zero output pressure may be selected by simultaneously de-energizing the 3-Way valve and the PAR™-15 valve solenoids. With a normally open PAR™-15 valve, zero output pressure may be selected by simultaneously de-energizing the 3-Way valve and energizing the PAR™-15 valve solenoids.

Narrow Band Control Diagram



Note: For valves with normally open solenoids, reverse the X1 and X2 connections.

Cascading

Two PAR™-15's can also be used in conjunction to provide 240 steps (versus 15 steps from one valve), therefore more output pressures. See diagram.

Connect the outlet port marked OUT of the valve upstream to the 1/8" port marked C of the valve downstream. A port/pipe reducer(s) must be used to accomplish this task. If desired, a pressure gauge can be installed between these two points. A gauge isolator should be used to protect the gauge from pulsating pressures.

Connect the outlet port marked OUT of the valve downstream to the supply side of the system requiring multiple pressures. If desired, a pressure gauge can be installed downstream of the outlet port. A gauge isolator should be used to protect the gauge from pulsating pressures.

DO NOT PLUG THE 1/8" PORTS MARKED C AND X2 ON THE VALVE UPSTREAM AND X2 ON THE VALVE DOWNSTREAM.

Operation of the valves is the same as mentioned previously under the Operation section. See Cascading Truth Table for the proper input signal to each solenoid, and the resulting

proportion of inlet pressure for an output pressure.

A formula can be used to calculate the output pressure of the valve downstream.

$$\text{OUTPUT PRESSURE (PSIG)} = \frac{\text{LINE PRESSURE (PSIG)} \times \text{BINARY INPUT UPSTREAM VALVE}}{\text{BINARY INPUT DOWNSTREAM VALVE}}$$

Where:

LINE PRESSURE is the supply (pressure to both valves and it must be equal: $\frac{\text{LINE PRESSURE}}{\text{BINARY INPUT UPSTREAM VALVE}} \times \text{BINARY INPUT DOWNSTREAM VALVE}$)

BINARY INPUT UPSTREAM VALVE is the binary number, a number from 0 to 15 depending on which solenoids are energized (normally closed solenoids) or de-energized (normally open solenoids) on the valve upstream.

BINARY INPUT DOWNSTREAM VALVE is the binary number, a number from 0 to 15 depending on which solenoids are energized (normally closed solenoids) or de-energized (normally open solenoids) on the valve downstream.

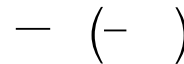
EXAMPLE:

Assume the line pressure is 120 PSIG, the valve upstream has inputs 1 & 2 energized, and the valve downstream has inputs 1 & 8 energized. Also, assume normally closed solenoids. What is the output pressure of the valve downstream?

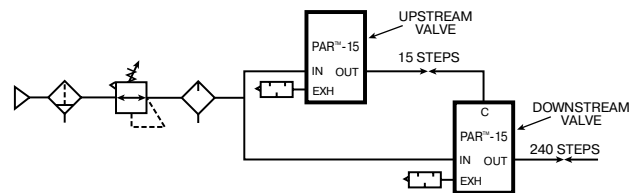
SOLUTION:

$$\begin{aligned} \text{BINARY INPUT VALVE UPSTREAM} &= 1 + 2 = 3 \\ \text{BINARY INPUT VALVE DOWNSTREAM} &= 1 + 8 = 9 \end{aligned}$$

$$\text{OUTPUT PRESSURE} = \frac{120}{15} \times \frac{3}{16} + 9 = 8 \times 9.1875 = 73.5 \text{ PSIG}$$



Cascade Diagram



Truth Table

	Normally Closed Solenoids		Normally Open Solenoids					
	Down-Step Valve	Up-stream Valve	Down-stream Valve	Up-stream Valve	Down-stream Valve	Up-stream Valve		
	Binary Input* 8 4 2 1		Binary Input* 8 4 2 1		Proportion	Proportion	PSIG Output @	PSIG Output @
	Pin Number † 5 3 2 1		Pin Number † 5 3 2 1		of Inlet Pressure +	of Inlet Pressure	60 PSIG Inlet ††	120 PSIG Inlet ††
0	0000	0000	1111	1111	0	0	0.00	0.00
1	0000	0001	1111	1110	0	1/240	0.25	0.50
2	0000	0010	1111	1101	0	2/240	0.50	1.00
3	0000	0011	1111	1100	0	3/240	0.75	1.50
4	0000	0100	1111	1011	0	4/240	1.00	2.00
5	0000	0101	1111	1010	0	5/240	1.25	2.50
6	0000	0110	1111	1001	0	6/240	1.50	3.00
7	0000	0111	1111	1000	0	7/240	1.75	3.50
8	0000	1000	1111	0111	0	8/240	2.00	4.00
9	0000	1001	1111	0110	0	9/240	2.25	4.50
10	0000	1010	1111	0101	0	10/240	2.50	5.00
11	0000	1011	1111	0100	0	11/240	2.75	5.50
12	0000	1100	1111	0011	0	12/240	3.00	6.00
13	0000	1101	1111	0010	0	13/240	3.25	6.50
14	0000	1110	1111	0001	0	14/240	3.50	7.00
15	0000	1111	1111	0000	0	15/240	3.75	7.50
16	0001	0000	1110	1111	1/15	0	4.00	8.00
17	0001	0001	1110	1110	1/15	1/240	4.25	8.50
18	0001	0010	1110	1101	1/15	2/240	4.50	9.00
19	0001	0011	1110	1100	1/15	3/240	4.75	9.50
20	0001	0100	1110	1011	1/15	4/240	5.00	10.00
21	0001	0101	1110	1010	1/15	5/240	5.25	10.50
22	0001	0110	1110	1001	1/15	6/240	5.50	11.00
23	0001	0111	1110	1000	1/15	7/240	5.75	11.50
24	0001	1000	0010	0111	13/15	0	53.00	106.00
212	0000	1111	0010	1011	13/15	4/240	53.00	106.00
213	0000	0000	0010	1010	13/15	5/240	53.25	106.50
214	0000	0000	0010	1001	13/15	6/240	53.50	107.00
215	0000	0000	0010	1000	13/15	7/240	53.75	107.50
216	0000	0000	0010	0111	13/15	8/240	54.00	108.00
217	0000	0000	0010	0110	13/15	9/240	54.25	108.50
218	0000	0000	0010	0101	13/15	10/240	54.50	109.00
219	0000	0000	0010	0100	13/15	11/240	54.75	109.50
220	0000	0000	0010	0011	14/15	12/240	55.00	110.00
230	1110	0110	0001	1010	14/15	0	57.00	114.00
231	1110	0111	0001	1001	14/15	7/240	57.75	115.50
232	1110	1000	0001	1000	14/15	8/240	58.00	116.00
233	1110	1001	0001	0111	14/15	9/240	58.25	116.50
234	1110	1010	0001	0110	14/15	10/240	58.50	117.00
235	1110	1011	0001	0101	14/15	11/240	58.75	117.50
236	1110	1100	0001	0100	14/15	12/240	59.00	118.00
237	1110	1101	0001	0010	14/15	13/240	59.25	118.50
238	1110	1110	0001	0001	14/15	14/240	59.50	119.00
239	1110	1111	0001	0000	14/15	15/240	59.75	119.50
240	1111	0000	0000	1111	15/15	0	60.00	120.00

Table above illustrates available output pressures for inlet pressures of 75 PSIG and 90 PSIG. Inlet pressure may be any value between 15 and 150 PSIG. Output Pressure increment will be 1/15 of inlet pressure.

* 0 = Voltage "OFF"
1 = Voltage "ON"

† Available only on units with 6-Pin connector.

†† Shaded output pressures shown are theoretical and are below the minimum operating range of the valve and should not be used. Please refer to the Engineering Specifications for minimum output.

Note: Full table appears in instruction sheet enclosed with the product.

General

Dial

Pilot

Proportional

Precision

Water

K

Regulator Products



For inventory, lead times, and kit lookup, visit www.pdnplu.com

K77

Parker Hannifin Corporation
Pneumatic Division
Richland, Michigan
www.parker.com/pneumatics

Programmable Air Regulating Valve

Air Preparation Products Regulator Products

Solenoid Kits & Electrical Data

Class F Solenoids

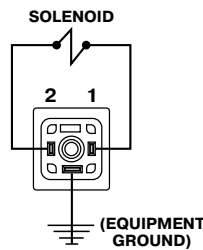
Voltage / Cycles	Solenoid Type*	Power Consumption (watts)	Holding Current (AMPS)	Part Number
12VDC	NC	1.2W	0.1	PS2982B45P
24VDC	NC	1.2W	0.05	PS2982B49P
120V/60Hz	NC	1.6VA	0.013	PS2982B53P
24V/60Hz	NC	1.6VA	0.066	PS2982B42P
24V/60Hz	NO	2.4VA	0.1	PS3202B42P
12VDC	NO	1.8W	0.15	PS3202B45P
24VDC	NO	1.8W	0.075	PS3202B49P
120V/60Hz	NO	2.4VA	0.02	PS3202B53P

* NC = Normally Closed
NO = Normally Open

Units with No Enclosure

Connect input and common signals to each one of the solenoids marked with the binary inputs 1, 2, 4 and 8, using the 3-Pin female connector kits shown in the catalog. Follow the installation instructions included with the 3-Pin female connector kits for the proper installation.

If you elect not to use the 3-Pin female connector kits, you may use three female spade connectors per solenoid and connect the wires as shown on the figure.



Units with Enclosure and Without 6-Pin Receptacle

Connect input and common signals to the terminal block on the circuit board labelled TB1. Connect each solenoid input (1, 2, 4, & 8) to the respective label on the circuit board. Connect each common to the input labelled C on the circuit board.

Units with Enclosure and 6-Pin Micro Receptacle

These units use the following brand names for 6-Pin micro connectors:

Brand name	Receptacle	Connector w/ 6 foot cord
Brad Harrison	7R6006A19A120	706000D02F060
Joy	5000127-41	5000127-2

Connection is made as shown in the chart below.

Pin	Wire color	Function
1	Red-White	Input 1
2	Red	Input 2
3	Green	Equipment Ground
4	Red-Yellow	Common
5	Red-Black	Input 8
6	Red-Blue	Input 4

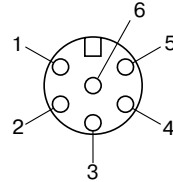
Micro

Units with Enclosure and 6-Pin Mini Connector

These units use either one of the following brand names for 6-Pin mini connectors:

Brand Name	Receptacle	Connector w/ 6 Foot Cord
Brad Harrison	42605	42602
Joy	X8987-2	X8987-4

Connection is made as shown in the chart below.



Mini

Pin	Wire color	Function
1	Orange	Input 1
2	Blue	Input 2
3	Black	Input 4
4	White	Common
5	Red	Input 8
6	Green	Equipment Ground

Units with Enclosure, 6-Pin Connector and Indicator Lamps

Each indicator lamp signals when the corresponding solenoid operator is actuated. Lamps that fail to light may need to be replaced or a check made to see if a connection has become loose.

Follow the service kit instructions included with the repair kits for proper installation of replacement lamps.

For units with DC solenoids and indicator lamps red wire is (+) positive white wire is (-) negative.

⚠ Caution: DC solenoids with indicator lamps are polarity sensitive. Observe polarities indicated above.

Available Lamps

Description	Part number
Lamp (120/60AC) with spring clip	K352428B
Lamp (24VDC) with spring clip	K352429B

15mm 3-Pin DIN 43650C

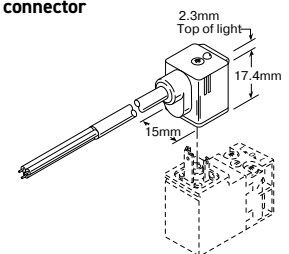
Description	Connector	Connector with 6' (2m) Cord
Unlighted	PS2932BP	PS2932JBP
Light – 12VAC or DC	PS294675BP	PS2946J75BP*
Light – 24VAC or DC	PS294679BP	PS2946J79BP*
Light – 110/120VAC	PS294683BP	PS2946J83BP*

* LED with surge suppression.

Note: Max ϕ 6.5mm cable size required for connector w/o 6' (2m) cord.

Engineering Data:

Conductors: 2 Poles Plus Ground
Cable Range (Connector Only):
4 to 6mm (0.16 to 0.24 Inch)
Contact Spacing: 8mm



Service Kit

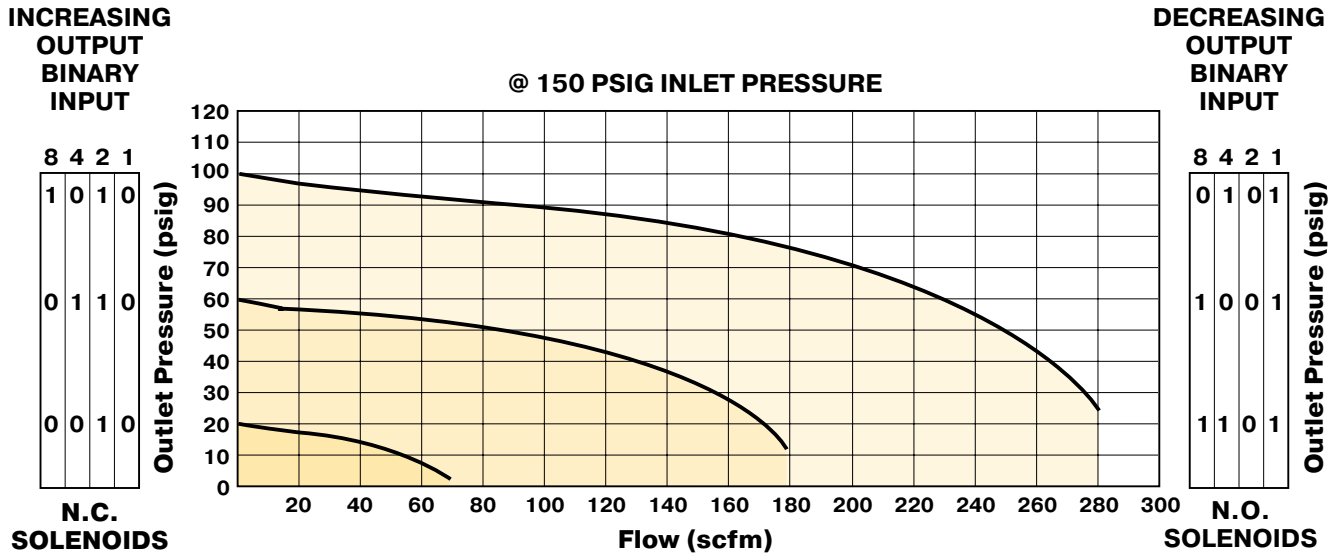
Piston, poppet assembly, all rubber seals and gaskets

K352413B

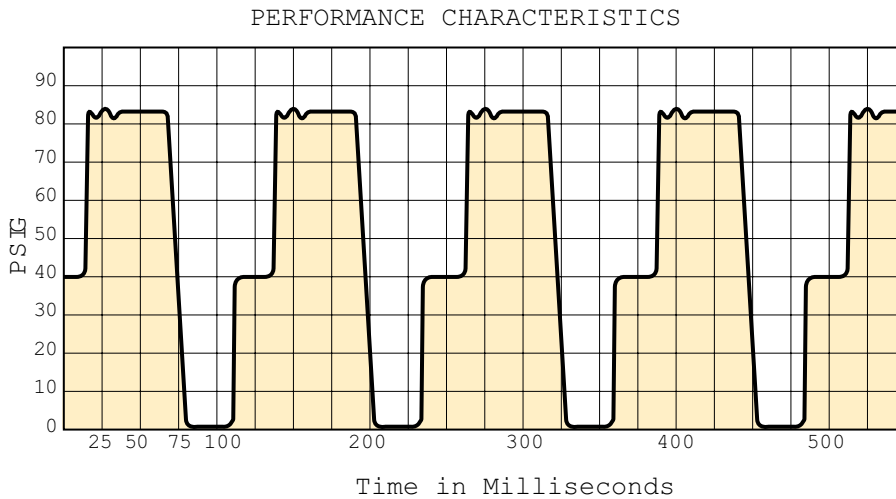


For inventory, lead times, and kit lookup, visit www.pdnplu.com

Flow Characteristics



Typical Time Response



Actual test results show rapid response on a robot welding operation at a major U.S. automotive manufacturer.

NOTE: Although graph illustrates pressure dropping to 0 PSIG at the end of each cycle, the PAR™-15 valve can shift down to intermediate pressure steps, i.e. from 75 PSIG to 45 PSIG, without returning to 0 PSIG first.

General
Dial
Pilot
Proportional
Precision
Water
K
Regulator Products

Lucifer® EPP4 1/4", 1/2" & 1/2" HP



Part number	Pipe	Max inlet pressure bar (PSIG)	Pressure range bar (PSIG)	Control signal
P4CN2001C001	1/4 NPT	1 to 12 (15 to 174)	0 to 10 (0 to 145)	0 to 10 V **
P4CN4001C001	1/2 NPT	1 to 12 (15 to 174)	0 to 10 (0 to 145)	0 to 10 V **
P4CG4201D003*†	1/2 BSPP	1 to 21 (15 to 305)	0 to 20 (0 to 290)	0 to 10 V **

Notes: For thread type NPT use **N**, for BSPP use **G**.

* HP (High Pressure).

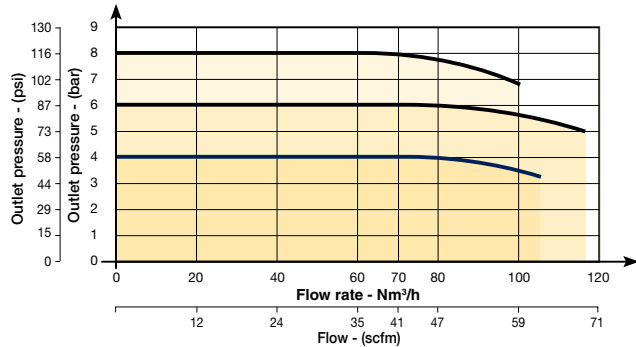
** 4-20mA available via Calys software.

† Only available in BSPP.

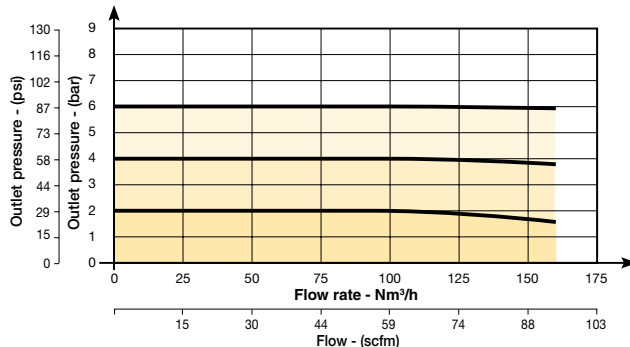
For other configurations not listed please consult factory. (Example: ATEX Series EX: II 3 D/G, O2 compatible, External Pilot, etc.)

Flow Curves

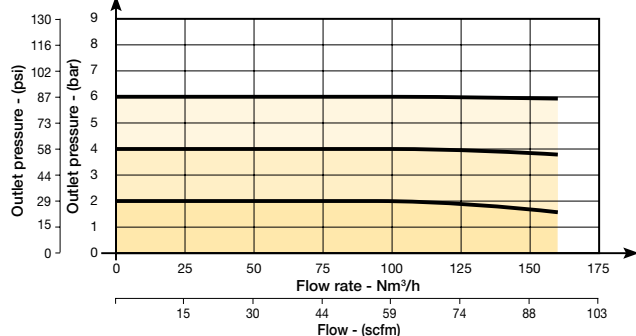
Flow Curve 1/4"



Flow Curve 1/2"



Flow Curve 1/2" HP



For inventory, lead times, and kit lookup, visit www.pdnplu.com

K80

Parker Hannifin Corporation
Pneumatic Division
Richland, Michigan
www.parker.com/pneumatics

General
 Dial
 Pilot
 Proportional
 Precision
 Water
K
 Regulator Products

Lucifer® EPP4 1/4" & 1/2"

Technical Data

	EPP4 1/4"	EPP4 1/2"
Fluids:	Lubricated or non lubricated air and neutral gases - Recommended filtration: 40 µm or better	
Temperature range:	Ambient: 0°C to 50°C (32°F to 122°F) Fluid: 0°C to 50°C (32°F to 122°F)	
Inlet pressure range: The inlet pressure must always be at least 1 bar above the regulated pressure.	1 to 12 bar (14.5 to 174 PSIG)	1 to 12 bar (14.5 to 174 PSIG)
Outlet pressure range:	0.05 to 10 bar (.725 to 145 PSIG)	
Hysteresis:	± 50 mbar (.725 PSIG) (factory set up)	
Air consumption at constant control signal:	0	
Supply voltage:	24 V DC ± 15 % (Max. ripple 1 V)	
Power consumption:	Max. 2.8 W with 24 V DC and constant changes of the control signal < 1.5 W without change of control signal	
Control signal:	Analog 0 - 10 V Analog 4 - 20 mA field convertible	
Outlet sensor signal:	Analog 0 - 10 V Standard for 0 - 10 bar; Adjustable	Digital 0 - 24 V for alarm features: Adjustable pressure error (+/-) Adjustable delay ON Adjustable delay OFF Adjustable logic (+/-)
	Analog 4 - 20 mA Standard for 0 - 10 bar; Adjustable	
Max. flow:	70 m³/h (41 SCFM)	150 m³/h (88 SCFM)
Indicative response time:	With a volume of 330 cm³ (20.14 in³) at the outlet of the regulator	
Filling 2 to 4 bar (29 to 58 PSI):	50 msec	60 msec
Filling 2 to 8 bar (29 to 116 PSI):	100 msec	120 msec
Emptying 4 to 2 bar (29 to 116 PSI):	70 msec	90 msec
Emptying 8 to 2 bar (29 to 116 PSI):	130 msec	190 msec
Safety position:	In case of control signal failure or if it is less than 50 mV, the regulated pressure drops automatically to 0 bar (atmospheric pressure). In case of voltage supply failure, the regulated pressure will be kept constant.	
Electrical connection:	M12 - 8 pin; male connector power supply/control signal M12 - 5 pin; male connector communication	
Life expectancy:	> 50 million changes of control signal steps	
Mounting position:	Indifferent (recommended position: upright; electronic part on top)	
Resistance to vibrations:	30 g in all directions	
Degree of protection:	IP65	
Assembly:	Silicone free	
Electromagnetic compatibility: In accordance with:	EN 61000-6-1: 2001 EN 61000-6-2: 2001 EN 61000-6-3: 2001 + A11 2004 edition (01/07/07) EN 61000-6-4: 2001	
Installation and setting instructions:	See Bulletin 408128, 408134 and appendix supplied with the product.	

Note: Parker reserves the right to change specifications without notification.



For inventory, lead times, and kit
lookup, visit www.pdnplu.com

K81

Parker Hannifin Corporation
Pneumatic Division
Richland, Michigan
www.parker.com/pneumatics

General

Dial

Pilot

Proportional

Precision

Water

K

Regulator Products

Lucifer® EPP4 1/2" HP

Technical Data

EPP4 1/2" HP

Fluids: Lubricated or non lubricated air and neutral gases - Recommended filtration: 50 µm

Temperature range: Ambient: 0°C to 50°C (32°F to 122°F)
Fluid: 0°C to 50°C (32°F to 122°F)

Inlet pressure range: The inlet pressure must always be at least 1 bar above the regulated pressure.
1 to 21 bar
(14.5 to 305 PSIG)

Outlet pressure range: 0.05 to 20 bar
(.73 to 290 PSIG)

Hysteresis: ≤ 100 mbar (1.45 PSIG) if P inlet ≤ 10 bar (145 PSIG)
≤ 200 mbar (2.90 PSIG) if P inlet > 10 bar (145 PSIG)

Air consumption at constant control signal: 0

Supply voltage: 24V DC ± 15%

Power consumption: Max. 6 W with 24 V DC and constant changes of the control signal < 2 W without change of control signal

Control signal: Analog 0 - 10 V
Analog 4 - 20 mA field convertible

Outlet sensor signal: Analog 0 - 10 V
Standard for 0 - 10 bar; Adjustable
Analog 4 - 20 mA
Standard for 0 - 10 bar; Adjustable

Max. flow: 150 m³/h (88 SCFM)

Indicative response time: With a volume of 330 cm³ (20.14 in³) at the outlet of the regulator

Filling 2 to 8 bar (29 to 116 PSI): 120 msec
Emptying 8 to 2 bar (116 to 29 PSI): 190 msec

Safety position: In case of control signal failure or if it is less than 50 mV, the regulated pressure drops automatically to 0 bar atmospheric pressure (for pressure ranges from 0-10 bar, 100 mV for pressure range over 10 bar). In case of voltage supply failure, the regulated pressure will be kept constant.

Electrical connection: M12 - 8 pin; male connector power supply/control signal
M12 - 5 pin; male connector communication

Life expectancy: > 20 Million changes of control signal steps

Mounting position: Indifferent (recommended position: upright; electronic part on top)

Resistance to vibrations: 30 g in all directions

Degree of protection: IP65

Assembly: Silicone free

Electromagnetic compatibility: EN 61000-6-1: 2001
In accordance with: EN 61000-6-2: 2001
EN 61000-6-3: 2001
+ A11 2004 edition (01/07/07)
EN 61000-6-4: 2001

Installation and setting instructions: See Bulletin 408193 and appendix supplied with the product.

Note: Parker reserves the right to change specifications without notification.



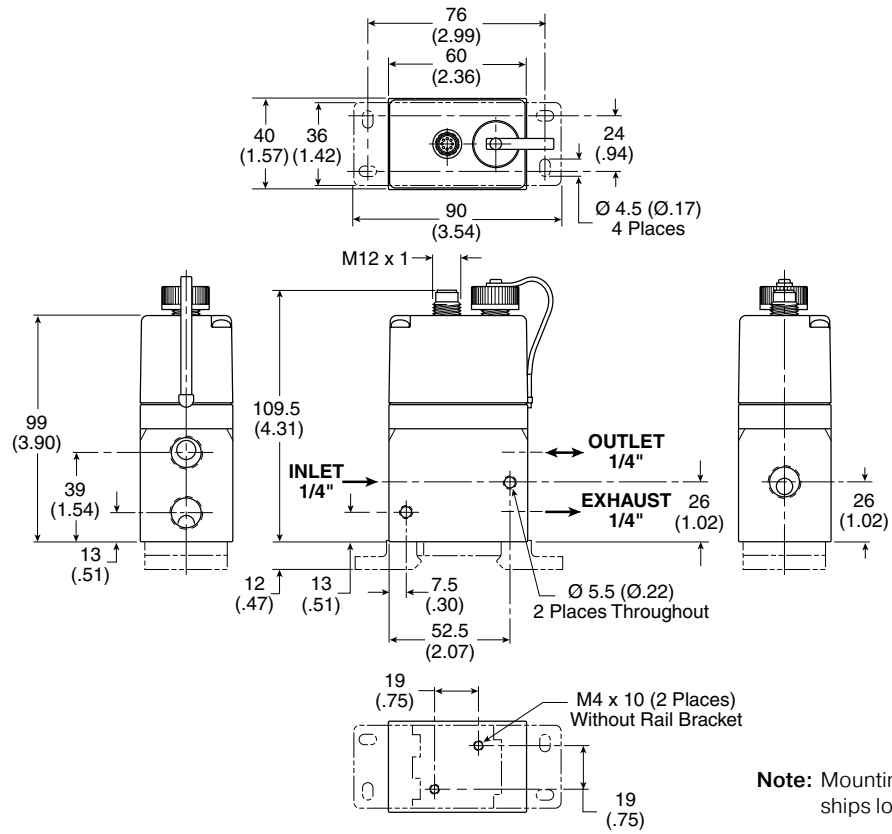
For inventory, lead times, and kit lookup, visit www.pdnplu.com

K82

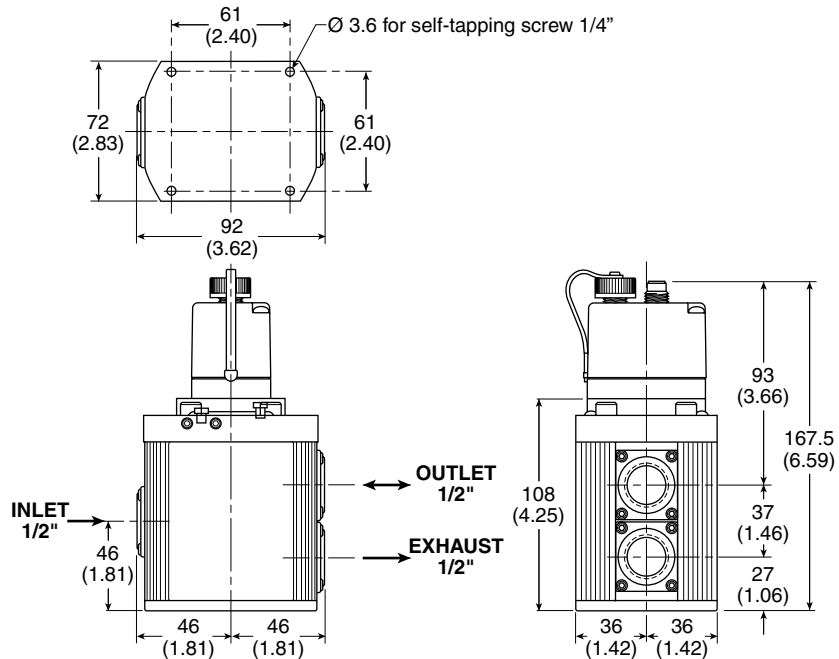
Parker Hannifin Corporation
Pneumatic Division
Richland, Michigan
www.parker.com/pneumatics

Lucifer® EPP4 1/4" & 1/2"

Dimensions EPP4 1/4"



Dimensions EPP4 1/2"



General
Dial
Pilot
Proportional
Precision
Water
K
Regulator Products



For inventory, lead times, and kit lookup, visit www.pdnplu.com

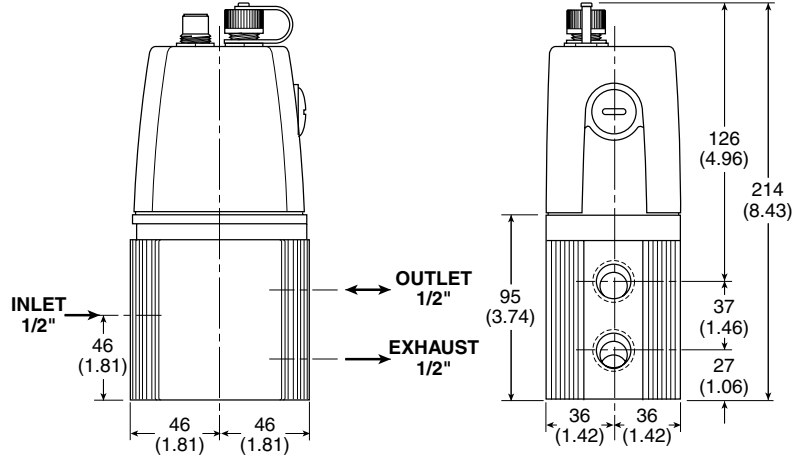
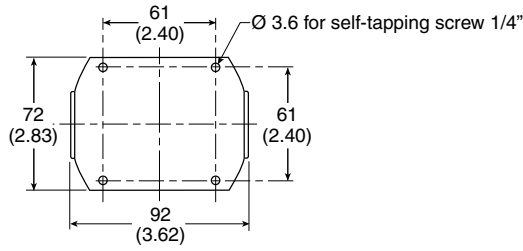
K83

Parker Hannifin Corporation
 Pneumatic Division
 Richland, Michigan
www.parker.com/pneumatics

Lucifer® EPP4 1/2" HP

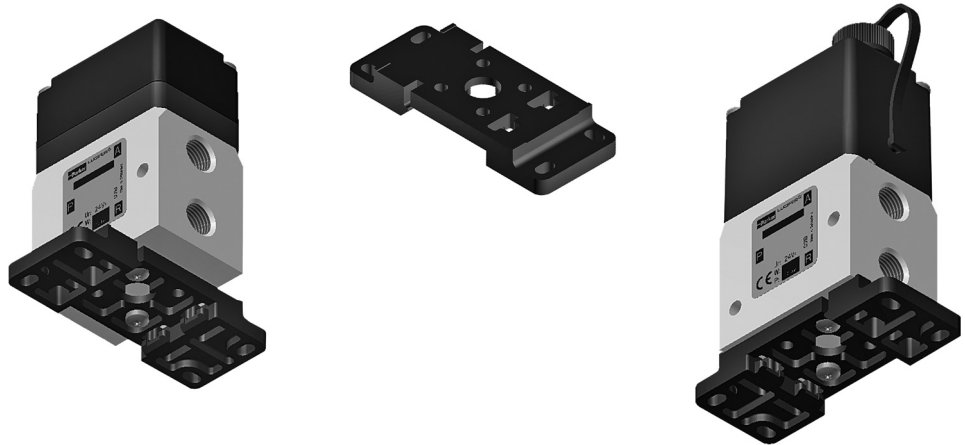
Dimensions EPP4 1/2" HP

General
Dial
Pilot
Proportional
Precision
Water
K
Regulator Products



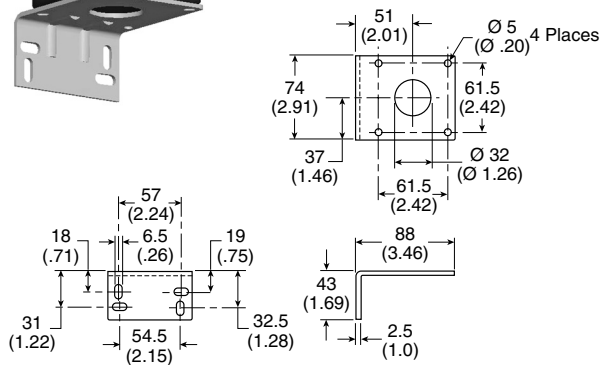
Lucifer® EPP4 Accessories

Mounting Brackets for EPP4 1/4"



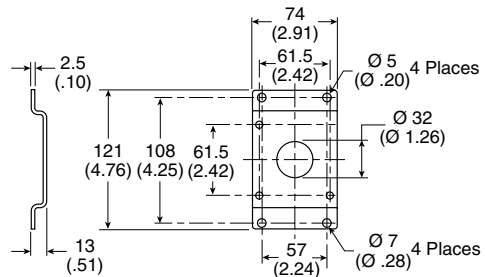
Note: Mounting bracket comes standard with all EPP4 1/4" units, and is shipped loose.

Mounting Brackets for EPP4 1/2"



L Bracket

Part Number 491367



Foot Bracket

Part Number 491366

General
Dial
Pilot
Proportional
Precision
Water
K
Regulator Products

Lucifer® EPP4 Accessories

Power Supply / Control Signal and Communication Cables

General

Dial

Pilot

Proportional

Precision

Water

K

Regulator Products

EPP4 Cable

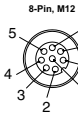
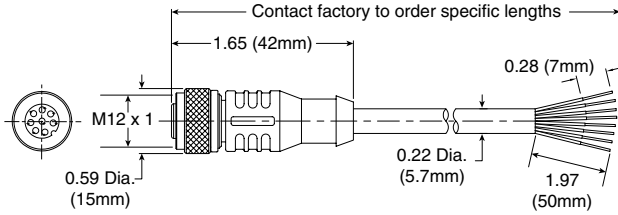
- 2m cable with molded straight M12-8 pole to flying lead

Part Number RKC8T-2

EPP4 Cable

- 2m cable with molded straight M12-5 pole to USB

Part Number 496449



Cable Pin	Color
1	White
2	Brown
3	Green
4	Yellow
5	Grey
6	Pink
7	Blue
8	Red



First M12 / 8 pole connector: power supply & control signal

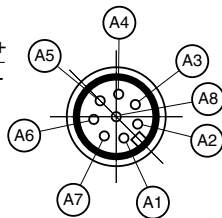
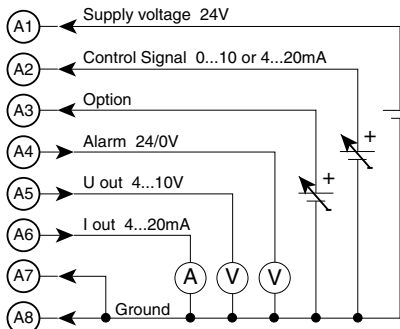
Electrical Connection (A)

Second M12 / 5 pole connector: remote display or PC communication

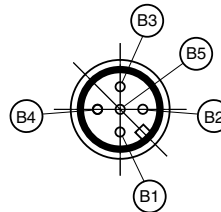
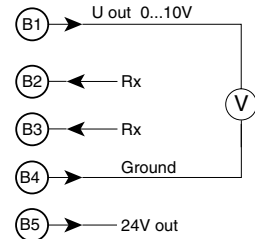
Electrical Connection (B)



Electrical Connection (A)



Electrical Connection (B)



For inventory, lead times, and kit lookup, visit www.pdnplu.com

K86

Parker Hannifin Corporation
Pneumatic Division
Richland, Michigan
www.parker.com/pneumatics

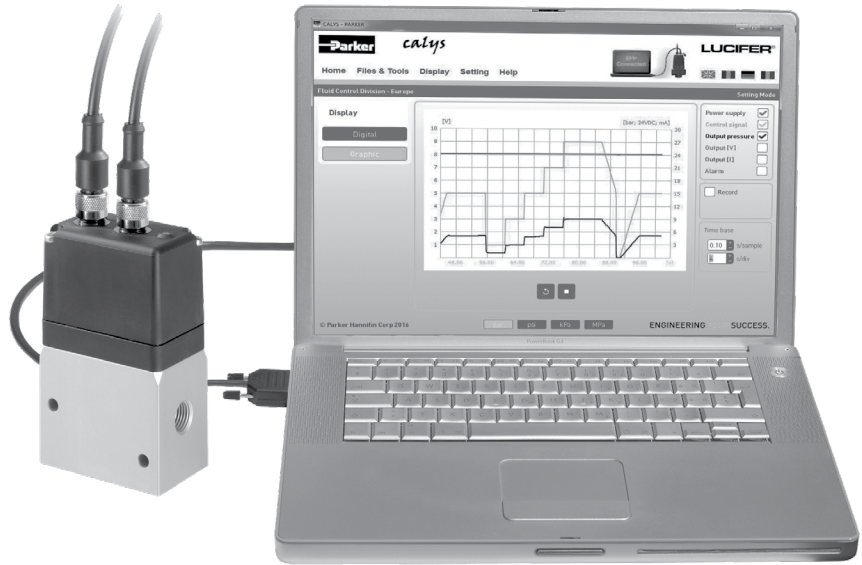
Lucifer® EPP4 Accessories

calys Software

Calys is developed to configure all the parameters of the EPP4. A specific cable is needed for the communication between the EPP4 and a PC.

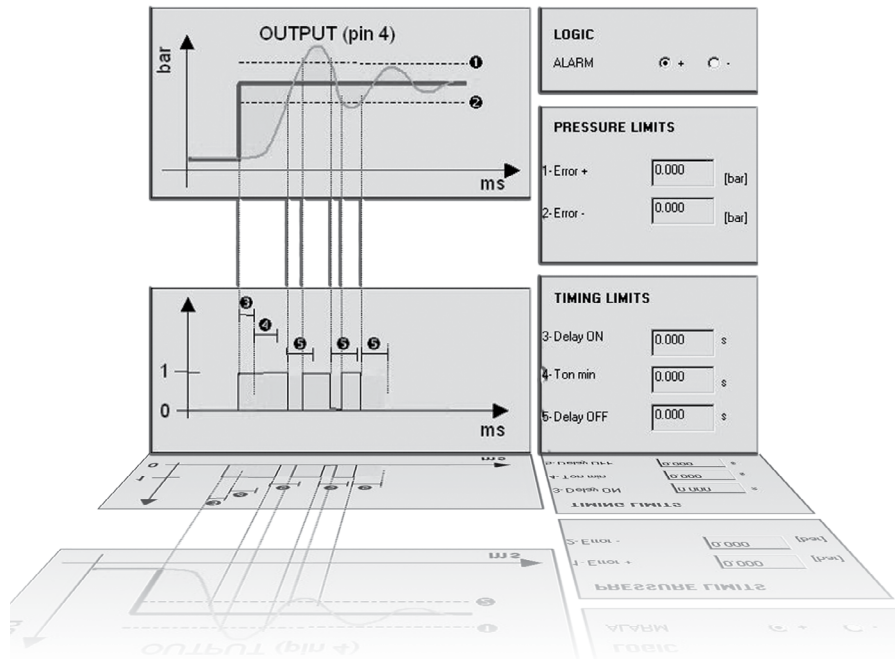
To download free Calys software click on www.parker.com/fcde/support

- Calys offers many capabilities:
- Live monitoring (control signal, regulated pressure, supply voltage,...)
 - Recording of the main parameters (control signal, regulated pressure, supply voltage,...) in an Excel file
 - Free calibration for the inputs and outputs
 - Adjustable alarm (positive-negative, pressure limits, delays)
 - Configuration files are easy to duplicate
 - Complete and interactive help file
 - Data in 4 different pressure units
 - Menus in 4 languages (English, German, French and Italian)



Specific communication cable with M12, 5-pole to USB connection

Part Number 496449



General

Dial

Pilot

Proportional

Precision

Water

K

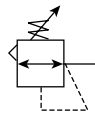
Regulator Products

P3RA302 High Precision Regulators

The P3RA302 Regulator is designed for applications that require high capacity and accurate process control in a small package. A poppet valve which is balanced by utilizing a convoluted diaphragm, insures a constant output pressure even during wide supply pressure variations. Stability of regulated pressure is maintained under varying flow conditions through the use of an aspirator tube which adjusts the air supply in accordance with the flow velocity.



- Control sensitivity of .250" (.010 psig) (.64 cm) water column variation allows use in precision applications
- A compensating diaphragm lets the regulator remain unaffected by supply pressure changes
- An aspirator tube compensates downstream pressure droop under flow conditions
- A separate control chamber isolates the diaphragm from the main flow to eliminate hunting and buzzing
- Unit construction lets you service the regulator without removing it from the line
- 1/4" port (NPT)

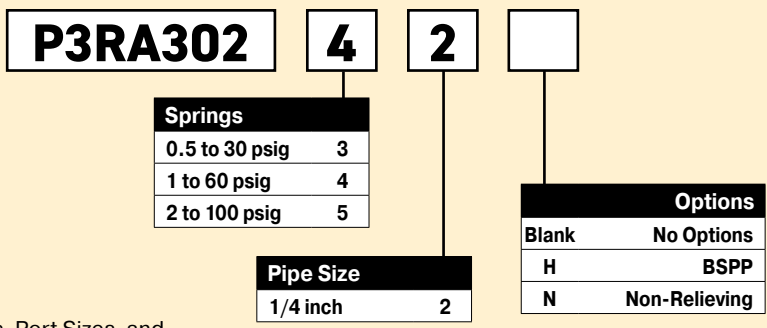


Operating information

Supply pressure:	250 psig (17.2 bar), (1700 kPa) max
Ambient temperature:	-40°F to 200°F (-40°C to 93°C)
Sensitivity:	.250" (.010 psig) (.64 cm) water column
Flow capacity:	40 scfm (68 m ³ /HR) @ 100 psig (7.0 bar), (700 kPa) supply and 20 psig (1.5 bar), (150 kPa) setpoint
Exhaust capacity:	2.0 scfm (3.4 m ³ /HR) where downstream pressure is 5 psig (.35 bar), (35 kPa) above 20 psig (1.5 bar), (150 kPa) setpoint
Supply pressure effect:	Less than 0.2 psig, (.014 bar), (.14 kPa) for 100 psig, (7.0 bar), (700 kPa) change in supply pressure
Hazardous locations:	Acceptable for use in zones 1 and 2 for gas atmosphere: Groups IIA and IIB and zones 21 and 22 for dust atmospheres

Port Size	Description	Part Number
1/4"	0.5 to 30 psig	P3RA30232
1/4"	1 to 60 psig	P3RA30242
1/4"	2 to 100 psig	P3RA30252

Ordering Information:



Note: Other Spring Ranges, Port Sizes, and Options Available. Please Consult Factory

Most popular.



For inventory, lead times, and kit lookup, visit www.pdnplu.com

K88

Parker Hannifin Corporation
Pneumatic Division
Richland, Michigan
www.parker.com/pneumatics

Compact High Precision Regulator

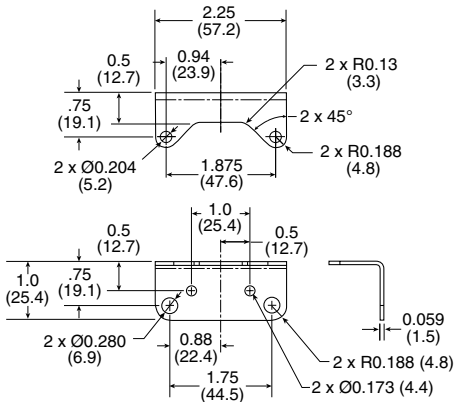
Material Specifications

Body and housing	Aluminum
Diaphragms	Nitrile on dacron
Trim	Brass

Repair and Service Kits

Nitrile, standard - 1/2 to 30, 1 to 60, & 2 to 100 psig	PS16116-13
Nitrile, non-relieving - 1/2 to 30, 1 to 60, & 2 to 100 psig	PS16116-14
Tamper Resistant Kit	PS12163
Mounting Bracket Kit	PS21667-1

Mounting bracket

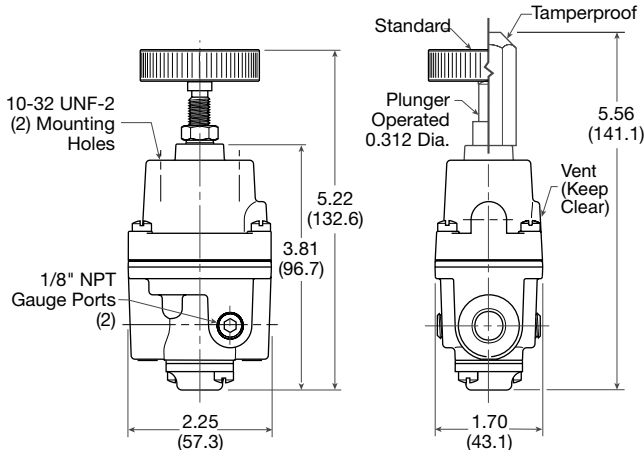


WARNING

Product rupture can cause serious injury. Do not connect regulator to bottled gas. Do not exceed Maximum primary pressure rating.

CAUTION:

REGULATOR PRESSURE ADJUSTMENT – The working range of knob adjustment is designed to permit outlet pressures within their full range. Pressure adjustment beyond this range is also possible because the knob is not a limiting device. This is a common characteristic of most industrial regulators, and limiting devices may be obtained only by special design. For best performance, regulated pressure should always be set by increasing the pressure up to the desired setting.

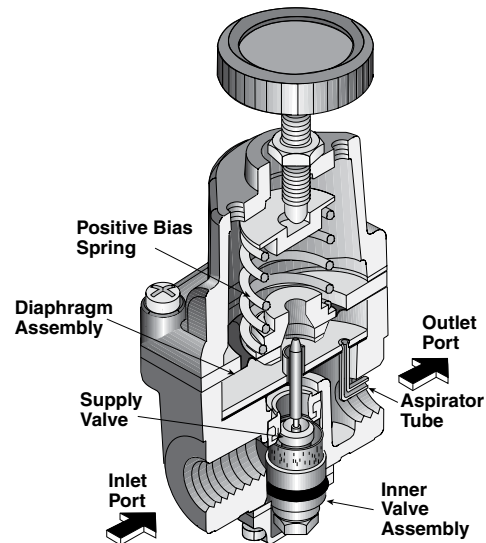
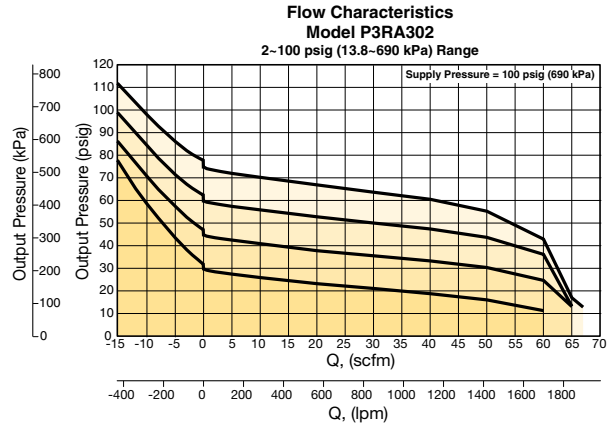


Inches (mm)

Air Preparation Products Regulator Products

Flow Charts

P3RA302 1/4" Regulator



Operating Principles

The P3RA302 Regulator uses the force balance principal to control the movement of the valve assembly which in turn controls the output pressure. When the regulator is adjusted for a specific set point, the downward force of the Positive Bias Spring causes the Diaphragm Assembly to move downward. The Supply Valve opens and allows air to pass to the Outlet Port. As the set point is reached, the downward force exerted by the Positive Bias spring is balanced by the upward force of the downstream pressure acting on the bottom of the Diaphragm Assembly. The resultant force moves the supply Valve upward to reduce the flow of air to the Outlet Port.

Outlet pressure is maintained as a result of balance between forces acting on the top and bottom of the Diaphragm Assembly.



For inventory, lead times, and kit lookup, visit www.pdnplu.com

K89

Parker Hannifin Corporation
Pneumatic Division
Richland, Michigan
www.parker.com/pneumatics

General

Dial

Pilot

Proportional

Precision

Water

K

Regulator Products

P3RA102 High Precision Regulators

The P3RA102 Regulator is designed for applications that require high capacity and accurate process control. A poppet valve which is balanced by utilizing a rolling diaphragm, insures a constant output pressure even during wide supply pressure variations. Stability of regulated pressure is maintained under varying flow conditions through the use of an aspirator tube which adjusts the air supply in accordance with the flow velocity.

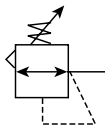
Control sensitivity of .125" (.005 psig) (.32 cm) water column allows use in precision processes

Pressure balanced supply valve prevents supply pressure changes from affecting the setpoint

Optional check valve permits dumping of downstream pressure when supply is opened to atmosphere

Separate control chamber isolates the diaphragm from the main flow to eliminate hunting and buzzing

An aspirator tube compensates downstream pressure droop under flow conditions

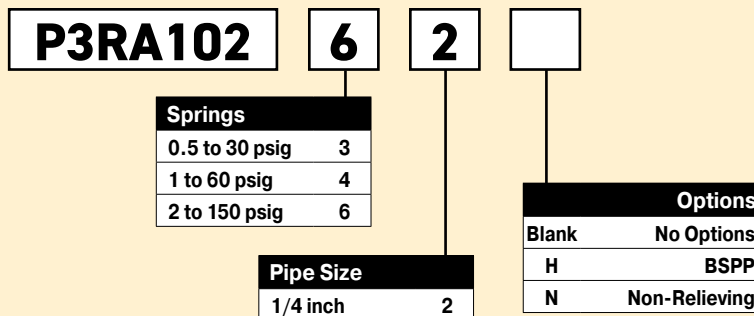


Operating information

Supply pressure:	500 psig (35 bar), (3500 kPa) max
Ambient temperature:	-40°F to 200°F (-40°C to 93°C)
Sensitivity:	.125" (.005 psig) (.32 cm) water column
Flow capacity:	40 scfm (68 m ³ /HR) @ 100 psig (7.0 bar), (700 kPa) supply and 20 psig (1.5 bar), (150 kPa) setpoint
Exhaust capacity:	5.5 scfm (9.35 m ³ /HR) where downstream pressure is 5 psig, (.35 bar), (35 kPa) above 20 psig (1.5 bar), (150 kPa) setpoint
Supply pressure effect:	Less than 0.1 psig (.007 bar), (.7 kPa) for 100 psig, (7.0 bar), (700 kPa) change in supply pressure
Hazardous locations:	Acceptable for use in zones 1 and 2 for gas atmosphere: Groups IIA and IIB and zones 21 and 22 for dust atmospheres

Port Size	Description	Part Number
1/4"	0.5 to 30 psig	P3RA10232
1/4"	1 to 60 psig	P3RA10242
1/4"	2 to 150 psig	P3RA10262

Ordering Information:



Note: Other spring ranges, port sizes, and options available. Please consult factory

Most popular.



For inventory, lead times, and kit lookup, visit www.pdnplu.com

K90

Parker Hannifin Corporation
Pneumatic Division
Richland, Michigan
www.parker.com/pneumatics

Standard High Precision Regulator

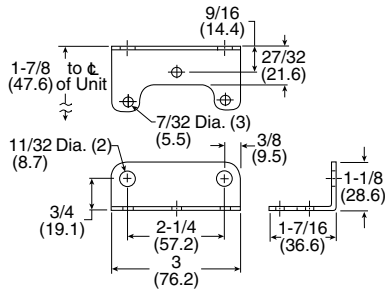
Material Specifications

Body and housing	Aluminum
Diaphragms	Buna N on dacron (standard unit only)
Trim	zinc plated steel, brass

Repair and Service Kits

0 to 200 psig, relieving	PS12125-1
0 to 200 psig, non-relieving	PS12125-4
Tamper resistant kit	PS12165
Mounting bracket kit, zinc plated steel	PS09921

Mounting bracket

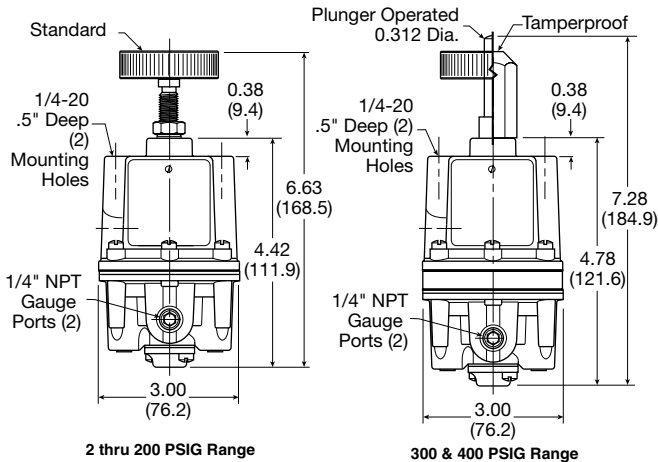


WARNING

Product rupture can cause serious injury. Do not connect regulator to bottled gas. Do not exceed Maximum primary pressure rating.

CAUTION:

REGULATOR PRESSURE ADJUSTMENT – The working range of knob adjustment is designed to permit outlet pressures within their full range. Pressure adjustment beyond this range is also possible because the knob is not a limiting device. This is a common characteristic of most industrial regulators, and limiting devices may be obtained only by special design. For best performance, regulated pressure should always be set by increasing the pressure up to the desired setting.

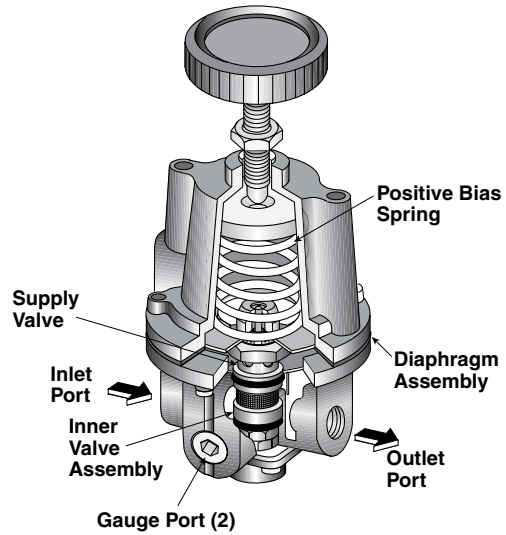
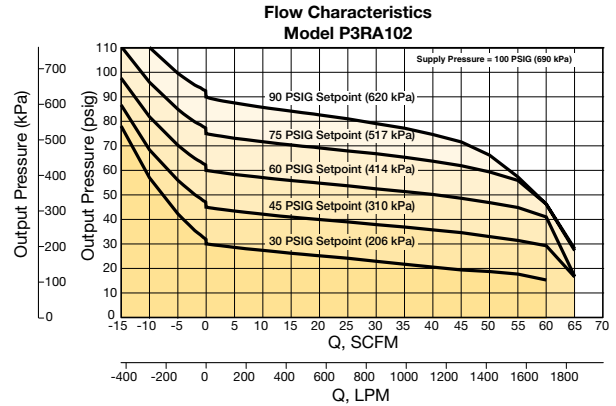


Inches (mm)

Air Preparation Products Regulator Products

Flow Charts

P3RA102 1/4" Regulator



Operating Principles

The P3RA102 Series regulator use the force balance principal to control the movement of the Valve Assembly that controls the output pressure. When the regulator is adjusted for a specific set point, the downward force of the Positive Bias Spring moves the Diaphragm Assembly downward. The Supply Valve opens and allows air to pass to the Outlet Port. As the set point is reached, the downward force exerted by the Positive Bias Spring is balanced by the force of the downstream pressure that acts on the Diaphragm Assembly. The resultant force moves the Supply Valve upward to reduce the flow of air to the Outlet Port.

Outlet pressure is maintained as a result of balance between forces acting on the top and bottom of the Diaphragm Assembly.



For inventory, lead times, and kit lookup, visit www.pdnplu.com

K91

Parker Hannifin Corporation
Pneumatic Division
Richland, Michigan
www.parker.com/pneumatics

General

Dial

Pilot

Proportional

Precision

Water

K

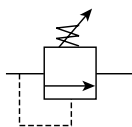
Regulator Products

P3RA102BP High Precision Relief Valves

The P3RA102BP is a high capacity relief valve that relieves excess pressure in a pneumatic system.

The P3RA102BP provides greater accuracy than standard relief valves over a narrow pressure range. The P3RA102BP is an excellent choice for a wide range of precision applications.

- Control sensitivity of .125" (.005 psig) (.32 cm) water column allows use in precision applications
- A separate control chamber and Aspirator Tube isolate the diaphragm from the main flow to eliminate hunting and buzzing
- Unit construction lets you service without removing it from the line
- Mounting bracket is available

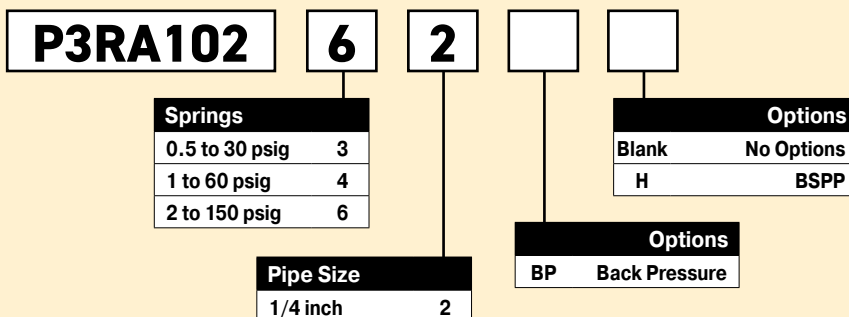


Port Size	Description	Part Number
1/4"	0.5 to 30 psig	P3RA10232BP
1/4"	1 to 60 psig	P3RA10242BP
1/4"	2 to 150 psig	P3RA10262BP

Operating information

Setpoint range	System pressure (maximum)
2 to 200 psig (0.15 to 14 bar) (15 to 1400 kPa)	300 psig (20.7 bar), (2100 kPa) max
300 to 400 psig (21 to 28 bar) (2100 to 2800 kPa)	500 psig (35 bar), (3500 kPa) max
Ambient temperature:	-40°F to 200°F (-40°C to 93°C)
Sensitivity:	.125" (.005 psig) (.32 cm) water column
Flow capacity:	40 scfm (68 m3/HR) @ 100 psig, (7.0 bar), (700 kPa) system pressure

Ordering Information:



Note: Other spring ranges, port sizes, and options available. Please consult factory

Most popular.



For inventory, lead times, and kit lookup, visit www.pdnplu.com

K92

Parker Hannifin Corporation
Pneumatic Division
Richland, Michigan
www.parker.com/pneumatics

High Precision Relief Valve

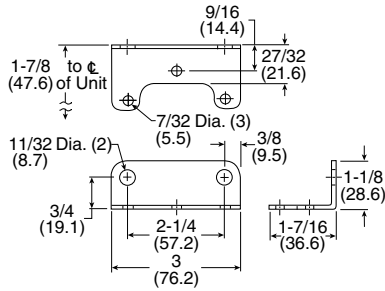
Material Specifications

Body and housing	Aluminum
Trim	Zinc plated steel, brass
Nozzle	Nitrile on dacron

Repair and Service Kits

0 to 200 psig, standard	PS12127-1
Tamper resistant kit	PS12165
Mounting bracket kit, zinc plated steel	PS09921

Mounting bracket

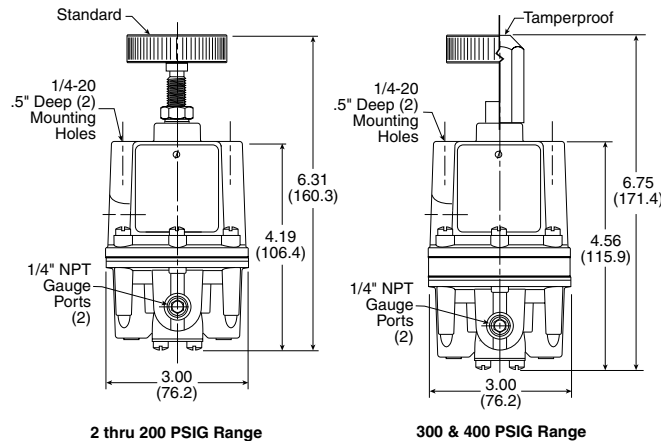


⚠ WARNING

Product rupture can cause serious injury. Do not connect regulator to bottled gas. Do not exceed Maximum primary pressure rating.

CAUTION:

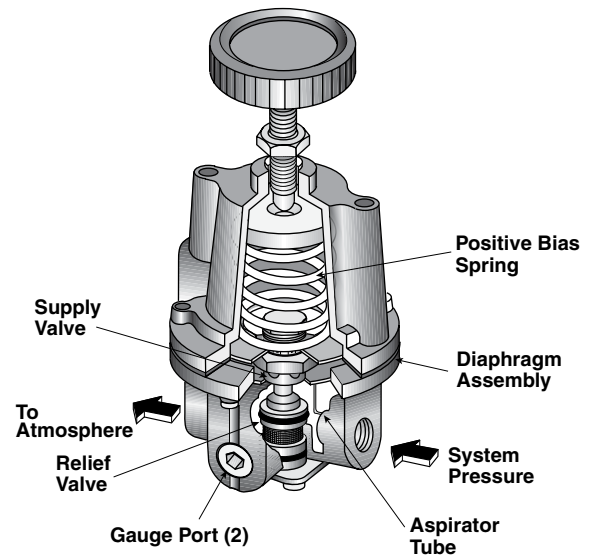
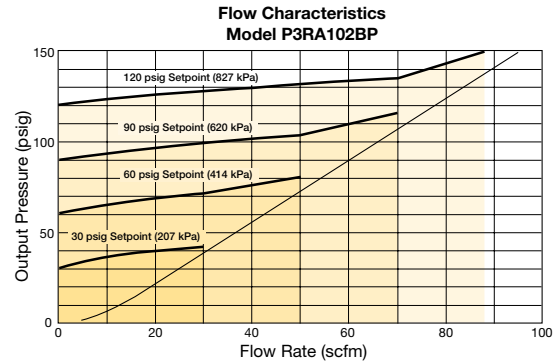
REGULATOR PRESSURE ADJUSTMENT – The working range of knob adjustment is designed to permit outlet pressures within their full range. Pressure adjustment beyond this range is also possible because the knob is not a limiting device. This is a common characteristic of most industrial regulators, and limiting devices may be obtained only by special design. For best performance, regulated pressure should always be set by increasing the pressure up to the desired setting.



Air Preparation Products Regulator Products

Flow Charts

P3RA102BP 1/4" Regulator



Operating Principles

The P3RA102BP Regulator uses the force balance principle to open the Relief Valve and vent system pressure when the set point is exceeded.

Downstream pressure is transmitted through the Aspirator Tube to the bottom of the Diaphragm Assembly. When you adjust the range screw for a specific set point, the Positive Bias Spring compresses and exerts a force on the top of the Diaphragm Assembly. As long as the pressure acting on the bottom of the Diaphragm Assembly produces a force less than the spring force acting on the top of the Diaphragm Assembly, the Relief Valve remains closed. When system pressure increases, the force on the bottom of the Diaphragm Assembly increases until it reaches the set point. When system pressure increases beyond the set point, the assembly moves upward, lifting the Relief Valve from its seat and vents the downstream air.

If downstream pressure decreases below the set point, the assembly moves downward closing the Relief Valve.



For inventory, lead times, and kit lookup, visit www.pdnplu.com

K93

Parker Hannifin Corporation
Pneumatic Division
Richland, Michigan
www.parker.com/pneumatics

General

Dial

Pilot

Proportional

Precision

Water

K

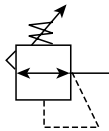
Regulator Products

P3RA171 High Precision Vacuum Regulator

The P3RA171 is a high accuracy vacuum regulator that provides uniform vacuum regulation independent of vacuum supply changes and flow demand.

This unit has a diaphragm assembly with three springs to provide a more balanced loading of the diaphragm.

- Control sensitivity of .125" (.005 PSIG) (.32 cm) water column allows use in precision applications
- Balanced supply valve minimizes effects of vacuum variation
- Aspirator tube compensates for downstream pressure droop under flow conditions
- Separate control chamber isolates the diaphragm from the main flow to eliminate hunting and buzzing
- Construction allows servicing without removing from the line

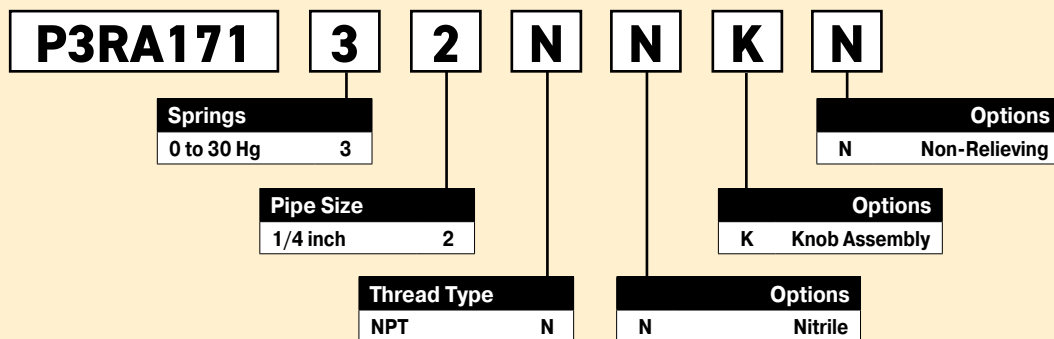


Operating information

Vacuum supply:	29.92 Hg (760 torr) max
Ambient temperature:	-40°F to 200°F (-40°C to 93°C)
Sensitivity:	.125" (.005 psig) (.32 cm) water column
Flow capacity:	3 scfm @ 650 torr supply, 250 torr setpoint
Vacuum supply effect:	Less than 1 torr for 100 torr (.04 Hg for 3.94 Hg) change in vacuum supply

Port Size	Description	Part Number
1/4"	0 to 30 Hg	P3RA17132NNKN

Ordering Information:



Note:
Other spring ranges, port sizes, and options available. Please consult factory

Most popular.



For inventory, lead times, and kit lookup, visit www.pdnplu.com

K94

Parker Hannifin Corporation
Pneumatic Division
Richland, Michigan
www.parker.com/pneumatics

High Precision Vacuum Regulator

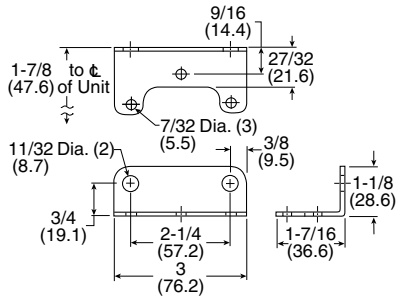
Material Specifications

Body and housing	Aluminum
Trim	Zinc plated steel, brass
Elastomers	Nitrile

Repair and Service Kits

Service kits – (includes diaphragm assy, valve assy, seat assy & gasket) 0-30" Hg, nitrile, non-relieving	PS20966-9
Tamper resistant kit	PS20967-1
Mounting bracket	PS09921

Mounting bracket

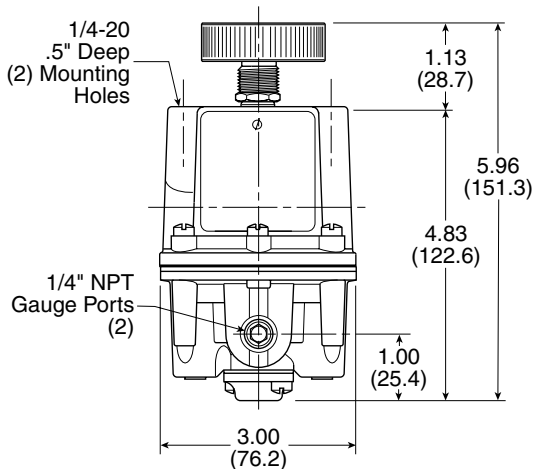


WARNING

**Product rupture can cause serious injury.
Do not connect regulator to bottled gas.
Do not exceed Maximum primary pressure rating.**

CAUTION:

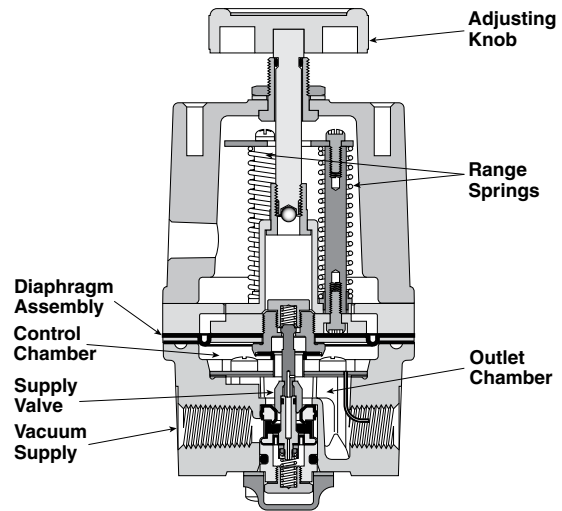
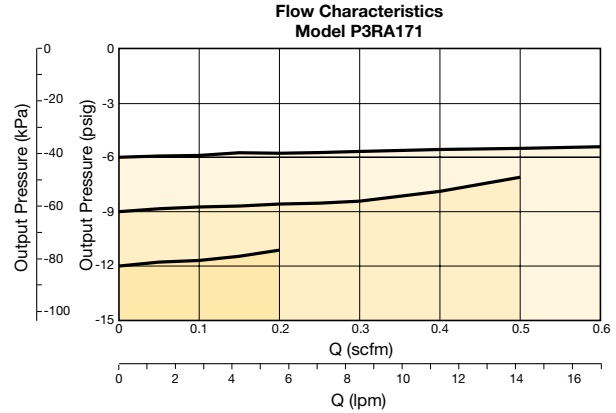
REGULATOR PRESSURE ADJUSTMENT – The working range of knob adjustment is designed to permit outlet pressures within their full range. Pressure adjustment beyond this range is also possible because the knob is not a limiting device. This is a common characteristic of most industrial regulators, and limiting devices may be obtained only by special design. For best performance, regulated pressure should always be set by increasing the pressure up to the desired setting.



Air Preparation Products Regulator Products

Flow Charts

P3RA171 1/4" Regulator



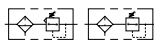
Operating Principles

The Model P3RA171 Series vacuum regulator uses the force balance principle to control the movement of the Valve Assembly that controls output vacuum.

When the regulator is adjusted for a specific set point, the upward force of the Range Springs moves the Diaphragm Assembly upward. The Supply Valve opens and allows air to pass to the inlet port. As the set point is reached, the upward force exerted by the Range Springs is balanced by the force of the vacuum that pulls downward on the Diaphragm Assembly. The resultant force moves the Supply Valve downward to reduce the flow of air to the inlet port. Outlet vacuum is maintained as a result of balance between forces acting on the top and bottom of the Diaphragm Assembly.

P3EA632 Precision Filter / Regulators

- The no-brass construction is well suited to harsh environments
- Internal and external epoxy finish for superior corrosion resistance
- Non-bleed design to reduce consumption
- Integral relief valve
- A gauge port provides convenient pressure gauge mounting
- The standard 5-micron filter minimizes internal contamination
- The filter dripwell contains a drain plug to easily drain trapped liquids
- Standard tapped exhaust
- Soft relief seat minimizes air loss



Operating information

Supply pressure:	250 psig (17.2 bar), (1700 kPa) max
Temperature range:	-40°F to 160°F (-40°C to 71°C)
Sensitivity:	1.0" (.036 psig) (2.54 cm) water column
Flow capacity:	25 scfm (42.5 m ³ /HR) @ 100 psig (7 bar), (700 kPa) supply and 20 psig (1.5 bar), (150 kPa) setpoint
Exhaust capacity:	0.8 scfm (1.36 m ³ /HR) where downstream pressure is 5 psig, (.35 bar) (35 kPa) above 20 psig (1.5 bar), (150 kPa) setpoint (0.8 SCFM for 120 # unit)
Consumption:	Undetectable
Supply pressure effect:	Less than 1.25 psig (.09 bar), (9 kPa) change for 100 psig (7.0 bar), (700 kPa) change in supply pressure (1.90 psig for 120 # unit)

Port Size	Description	Part Number
1/4"	1 to 60 psig	P3EA63242NS
1/4"	2 to 120 psig	P3EA63252NS

Ordering Information:

P3EA632

5

2

N

S

Springs		Options
0 to 60 psig	4	Blank
2 to 120 psig	5	None

Pipe Size		Adjustment
1/4 inch	2	S Screw (std)
		K Knob
		T Tamperproof

Thread Type		
NPT	N	
BSPP	U	

Note: Other spring ranges, port sizes, and options available. Please consult factory

Most popular.



For inventory, lead times, and kit lookup, visit www.pdnplu.com

K96

Parker Hannifin Corporation
Pneumatic Division
Richland, Michigan
www.parker.com/pneumatics

High Precision Filter / Regulator

Material Specifications

Body and housing	Epoxy coated Aluminum
Trim	Stainless steel, nickel plated steel
Elastomers	Nitrile

Repair and Service Kits

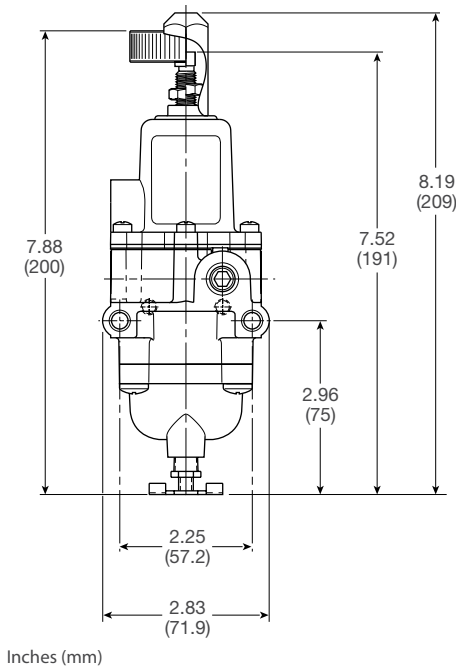
1 to 60, 2 to 120 psig	PS19968-NR
Tamper resistant kit	PS12165

WARNING

**Product rupture can cause serious injury.
Do not connect regulator to bottled gas.
Do not exceed Maximum primary pressure rating.**

CAUTION:

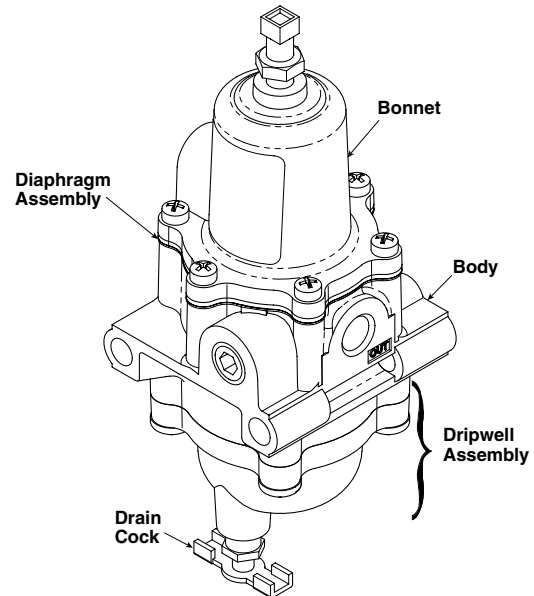
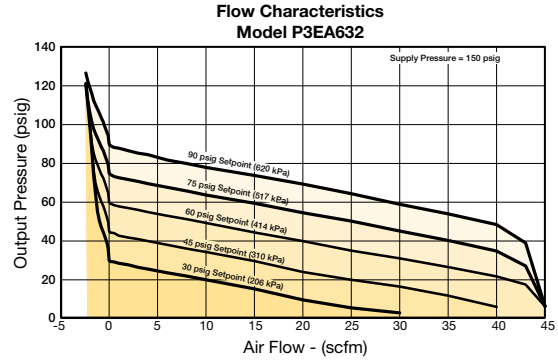
REGULATOR PRESSURE ADJUSTMENT – The working range of knob adjustment is designed to permit outlet pressures within their full range. Pressure adjustment beyond this range is also possible because the knob is not a limiting device. This is a common characteristic of most industrial regulators, and limiting devices may be obtained only by special design. For best performance, regulated pressure should always be set by increasing the pressure up to the desired setting.



Air Preparation Products Regulator Products

Flow Charts

P3EA632 1/4" Filter / Regulator



Operating Principles

When you turn the Adjustment Screw to a specific setpoint, the Spring exerts a downward force against the top of the Diaphragm Assembly. This downward force opens the Supply Valve. Output pressure flows through the Outlet Port and the passage to the Control Chamber where it creates an upward force on the bottom of the Diaphragm Assembly.

When the setpoint is reached, the force of the Spring that acts on the top of the Diaphragm Assembly balances with the force of output pressure that acts on the bottom of the Diaphragm Assembly and closes the Supply Valve.

When the output pressure increases above the setpoint, the Diaphragm Assembly moves upward to close the Supply Valve and open the Exhaust Valve. Output pressure flows through the Exhaust Valve and out of the Exhaust Vent on the side of the unit until it reaches the setpoint.

General

Dial

Pilot

Proportional

Precision

Water

K

Regulator Products



P3BA208 Precision Pneumatic Input Signal Amplifier

- The P3BA208 uses a pneumatic input signal to accurately control output pressure based on a predetermined ratio
- A balanced supply valve minimizes the effects of supply pressure variation
- An aspirator tube compensates downstream pressure droop under flowing conditions
- A separate control chamber isolates the diaphragm from the main flow to eliminate hunting and buzzing
- Unit construction allows servicing without removal
- Mounting bracket available

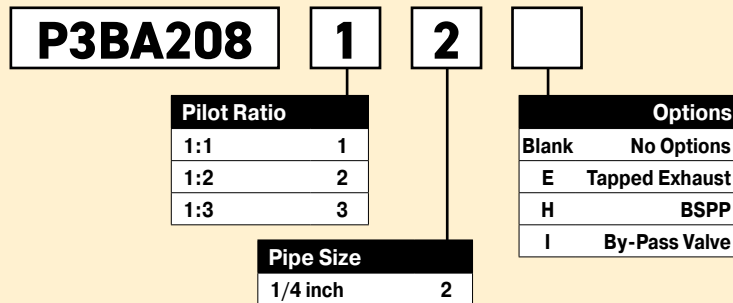


Port Size	Description	Part Number
1/4"	1:1 pilot ratio	P3BA20812
1/4"	1:2 pilot ratio	P3BA20822
1/4"	1:3 pilot ratio	P3BA20823

Operating information

Signal : Output	1:1	1:2	1:3
Output pressure, maximum:	150 psig (10 bar)	150 psig (10 bar)	150 psig (10 bar)
Supply pressure, maximum:	250 psig (17 bar)	250 psig (17 bar)	250 psig (17 bar)
Flow capacity – 100 psig (7 bar), supply 20 psig, (1.5 bar) output	45 scfm (76.5 m ³ /HR)	45 scfm (76.5 m ³ /HR)	45 scfm (76.5 m ³ /HR)
Exhaust capacity – Downstream pressure 5 psig (0.35 bar) above 20 psig (1.5 bar) setpoint	11 scfm (18.7 m ³ /HR)	11 scfm (18.7 m ³ /HR)	11 scfm (18.7 m ³ /HR)
Sensitivity, water column:	0.250" (0.64 cm)	0.500" (1.27 cm)	0.750" (1.9 cm)
Ratio accuracy – % of 100 psig (7 bar) output span % of output span with 100 psig (7 bar) input span	1.0 —	1.0 —	1.0 —
Supply pressure effect – for change of 100 psig (7 bar)	0.10 psig (.007 bar)	0.20 psig (.014 bar)	0.30 psig (.021 bar)
Ambient temperature:	-40°F to 200°F (-40°C to 93°C)	-40°F to 200°F (-40°C to 93°C)	-40°F to 200°F (-40°C to 93°C)

Ordering Information:



Note:
Other spring ranges, port sizes, and options available. Please consult factory

Most popular.



For inventory, lead times, and kit lookup, visit www.pdnplu.com

K98

Parker Hannifin Corporation
Pneumatic Division
Richland, Michigan
www.parker.com/pneumatics

Precision Pneumatic Input Signal Amplifier

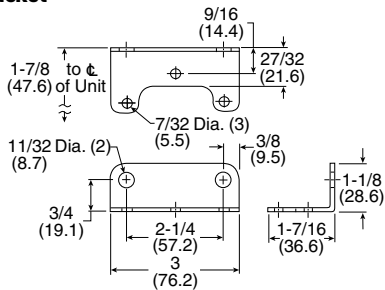
Material Specifications

Body and housing	Aluminum
Diaphragm	Nitrile on dacron fabric
Trim	Zinc plated steel, brass

Repair and Service Kits

Mounting bracket	PS09921
1:1 Ratio	PS19513-11
1:1 Ratio w/ by-pass valve	PS19513-11I
1:2 Ratio	PS19513-12
1:3 Ratio	PS19513-13

Mounting bracket



WARNING

Product rupture can cause serious injury. Do not connect regulator to bottled gas. Do not exceed Maximum primary pressure rating.

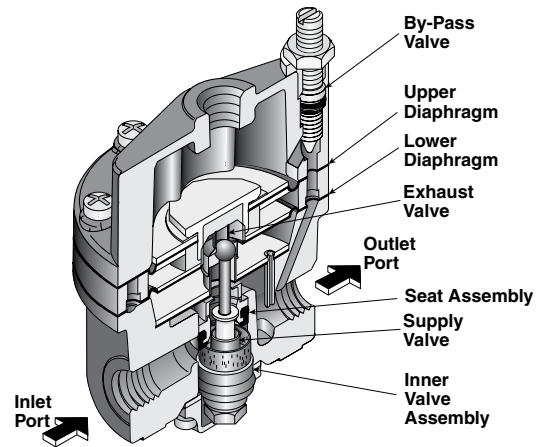
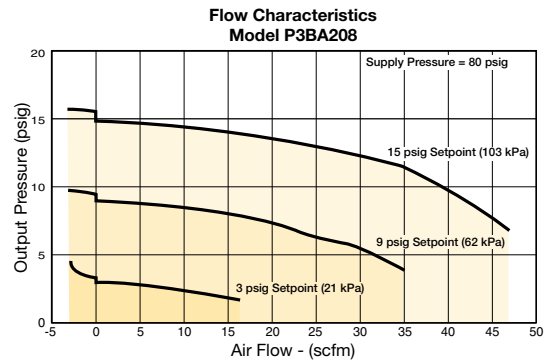
CAUTION:

REGULATOR PRESSURE ADJUSTMENT – The working range of knob adjustment is designed to permit outlet pressures within their full range. Pressure adjustment beyond this range is also possible because the knob is not a limiting device. This is a common characteristic of most industrial regulators, and limiting devices may be obtained only by special design. For best performance, regulated pressure should always be set by increasing the pressure up to the desired setting.

Air Preparation Products Regulator Products

Flow Charts

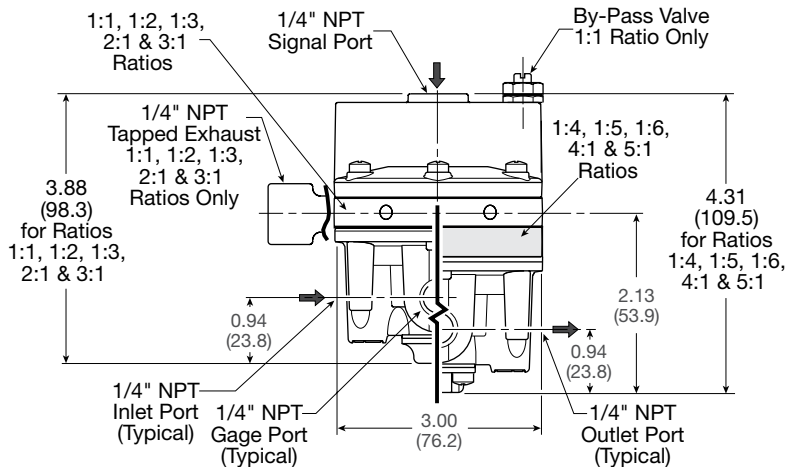
P3RA102BP 1/4" Input Signal Amplifier



Operating Principles

The P3BA208 Input Signal Amplifier is a pneumatic device capable of high flow and exhaust capacity. This device uses a force balance system to control the movement of the supply and exhaust valves.

At set point, the force due to signal pressure that acts on the top of the Upper Diaphragm balances with the force due to output pressure acting on the bottom of the Lower Diaphragm.



For inventory, lead times, and kit lookup, visit www.pdnplu.com

K99

Parker Hannifin Corporation
Pneumatic Division
Richland, Michigan
www.parker.com/pneumatics

General

Dial

Pilot

Proportional

Precision

Water

K

Regulator Products

P3BA45 Precision Pneumatic Input Signal Amplifier

- Five signal to output ratios meet most control element requirements.
- Control sensitivity of water column allows use in precision applications.
- Large Supply and Exhaust Valves provide high forward and exhaust flows.
- Soft Supply and Exhaust Valve seats minimize air consumption.
- A balanced Supply Valve minimizes the effect of supply pressure variation.
- An Aspirator Tube compensates downstream pressure droop under flow conditions.
- A separate Control Chamber isolates the diaphragm from the main flow to eliminate hunting and buzzing.
- Unit construction lets you service the P3BA45 without removing it from the line.



Port Size	Description	Part Number
1/2"	1:1 pilot ratio	P3BA4514A
3/4"	1:1 pilot ratio	P3BA4516A

Operating Information	Signal : Output		
	1:1	1:2	1:3
Output pressure, maximum:	150 psig (10 bar)	150 psig (10 bar)	150 psig (10 bar)
Supply pressure, maximum:	250 psig (17 bar)	250 psig (17 bar)	250 psig (17 bar)
Flow capacity – 100 psig (7 bar), supply 20 psig (1.5 bar) output	150 scfm (255 m ³ /HR)	150 scfm (255 m ³ /HR)	150 scfm (255 m ³ /HR)
Exhaust capacity – Downstream pressure 5 psig (.35 bar) above 20 psig (1.5 bar) setpoint	40 scfm (62.5 m ³ /HR)	40 scfm (62.5 m ³ /HR)	40 scfm (62.5 m ³ /HR)
Sensitivity, water column:	1.0" (2.54 cm)	2.0" (5.08 cm)	3.0" (7.62 cm)
Ratio Accuracy – % of 100 psig (7 bar) output span % of output span with 100 psig (7 bar) input span	3.0 —	3.0 —	3.0 —
Supply pressure effect – for change of 100 psig (7 bar)	0.10 psig (0.007 bar)	0.20 psig (0.014 bar)	0.30 psig (0.021 bar)
Ambient temperature:	-40°F to 200°F (-40°C to 93°C)	-40°F to 200°F (-40°C to 93°C)	-40°F to 200°F (-40°C to 93°C)
Hazardous locations:	Acceptable for use in zones 1 and 2 for gas atmospheres; Groups IIA and IIB and zones 21 and 22 for dust atmospheres.		

Ordering Information:

P3BA45

Pilot Ratio	
1:1	1
1:2	2
1:3	3

Pipe Size	
1/2 inch	4
3/4 inch	6

1

4

A

Options	
Blank	No Options
E	Tapped Exhaust
H	BSPP
I	By-Pass Valve

Type	
A	45 Series

Note: Other spring ranges, port sizes, and options available. Please consult factory

Most popular.



For inventory, lead times, and kit lookup, visit www.pdnplu.com

K100

Parker Hannifin Corporation
Pneumatic Division
Richland, Michigan
www.parker.com/pneumatics

Precision Pneumatic Input Signal Amplifier

Material Specifications

Body and housing	Aluminum
Diaphragm	Nitrile on dacron fabric
Trim	Zinc plated steel, brass

Repair and Service Kits

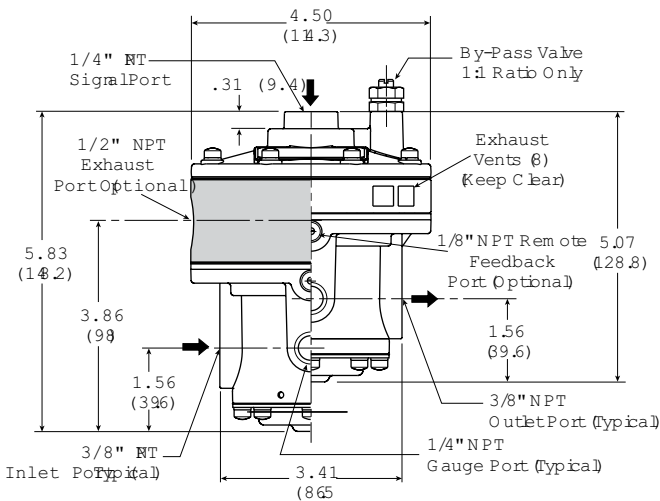
1:1 ratio	PS19549-1
1:1 ratio w/ tapped exhaust	PS19549-1E
1:3 ratio	PS19549-3
1:2 ratio	PS19549-2
1:1 w/ tapped exhaust, I option	PS19549-2OE

WARNING

Product rupture can cause serious injury. Do not connect regulator to bottled gas. Do not exceed Maximum primary pressure rating.

CAUTION:

REGULATOR PRESSURE ADJUSTMENT – The working range of knob adjustment is designed to permit outlet pressures within their full range. Pressure adjustment beyond this range is also possible because the knob is not a limiting device. This is a common characteristic of most industrial regulators, and limiting devices may be obtained only by special design. For best performance, regulated pressure should always be set by increasing the pressure up to the desired setting.

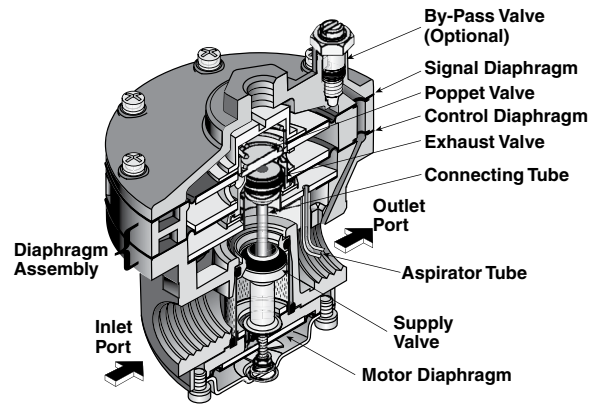
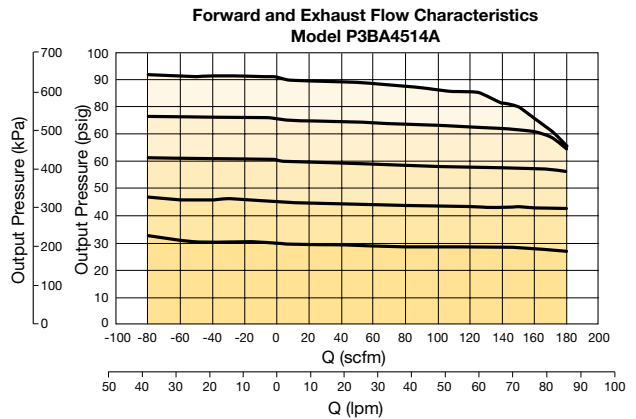


Inches (mm)

Air Preparation Products Regulator Products

Flow Charts

P3BA45 1/2" & 3/4" Input Signal Amplifier



Operating Principles

When signal pressure on the top of the Signal Diaphragm creates a downward force on the Diaphragm Assembly, the Supply Valve opens. Output pressure flows through the Outlet Port and the Aspirator Tube to the Control Chamber to create an upward force on the bottom of the Control Diaphragm. When the setpoint is reached, the force of the signal pressure that acts on the top of the Signal Diaphragm balances with the force of the output pressure that acts on the bottom of the Control Diaphragm to close the Supply Valve.

When the output pressure increases above the signal pressure, the Diaphragm Assembly moves upward to close the Supply Valve and open the Exhaust Valve. Because the Poppet Valve is closed, pressure flows down the Connecting Tube to the bottom of the Motor Diaphragm. This pressure keeps the Supply Valve tightly closed while in the exhaust mode. The Poppet Valve opens and excess output pressure exhausts through the vent in the side of the unit until it reaches the setpoint.



For inventory, lead times, and kit lookup, visit www.pdnplu.com

K101

Parker Hannifin Corporation
Pneumatic Division
Richland, Michigan
www.parker.com/pneumatics

General

Dial

Pilot

Proportional

Precision

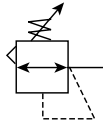
Water

K

Regulator Products

20R Regulators - Miniature Water

- Rugged brass body for water service
- Unbalanced poppet standard
- Diaphragm operated for fast response
- Non-rising adjusting knob
- Compact, 3.06 inch (77.79mm) high by 1.56 inch (36.69mm) wide.
- High Flow: 1.25 GPM
- 1/8", 1/4" ports (NPT, BSPP)



Operating information

Supply pressure (max):	0 to 300 psig (0 to 20.7 bar)
Secondary pressure ranges	
Standard	2 to 125 psig (0 to 8.6 bar)
Medium	1 to 60 psig (0 to 4.1 bar)
Medium	1 to 25 psig (0 to 1.7 bar)
Operating temperature:	32°F to 125°F (0°C to 52°C)
High flow:	1.25 GPM
Gauge ports (2):	1/8 inch
Weight:	0.5 lb (0.23 kg)

Port Size	Description	Part Number
1/8"	Without gauge	20R013GC
1/4"	Without gauge	20R113GC

NOTE: 1.25 Dia. (31.8 mm) hole required for panel mounting.

Ordering Information:

20R 1 13 G C

Port Size	1/8 inch 0	1/4 inch 1	
Pressure Range	25 psig 11	125 psig 13	60 psig 61
Port Type	Blank NPT	1 BSPP	
Engineering Level	C Current		
Relief	F Relieving	G Non-Relieving	

Most popular.



For inventory, lead times, and kit lookup, visit www.pdnplu.com

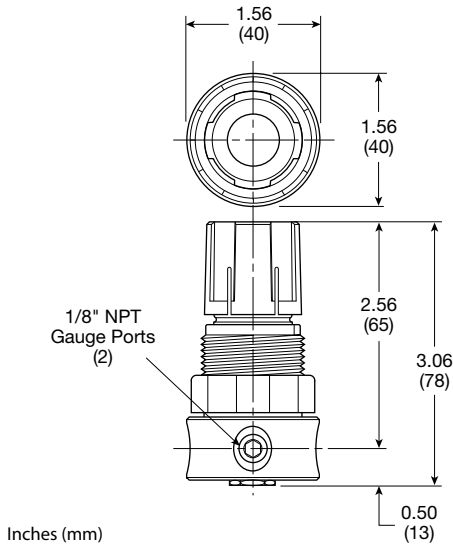
Miniature Water Regulators

Material Specifications

Adjusting nut & stem	Steel
Body, valve poppet, bottom plug, diaphragm button	Brass
Bonnet, knob	Plastic
Seals, diaphragm	Buna N
Springs	Steel

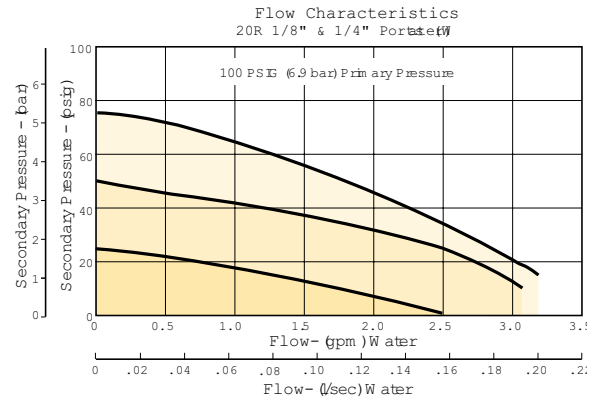
Repair and Service Kits

Bonnet kit	PKR364Y
Bonnet tamperproof kit	PKR364T
Panel mount nut, aluminum	R05X51-A
Panel mount nut, plastic	R05X51-P
Mounting bracket kit	SA161X57
Relieving	PRKR164Y
Non-Relieving	PRKR163Y



Air Preparation Products Regulator Products

Flow Charts



⚠ WARNING

**Product rupture can cause serious injury.
Do not connect regulator to bottled gas.
Do not exceed Maximum primary pressure rating.**

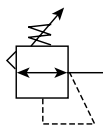
CAUTION:
REGULATOR PRESSURE ADJUSTMENT – The working range of knob adjustment is designed to permit outlet pressures within their full range. Pressure adjustment beyond this range is also possible because the knob is not a limiting device. This is a common characteristic of most industrial regulators, and limiting devices may be obtained only by special design. For best performance, regulated pressure should always be set by increasing the pressure up to the desired setting.



R24 Regulators - Miniature Water

Water service

- Constructed with a combination of N.S.F. and F.D.A. compliant materials
- Lightweight plastic body
- Unbalanced poppet standard
- Non-rising, push-to-lock adjusting knob
- Compact, 3.10 Inch (79mm) high by 1.60 Inch (41mm) wide
- Lightweight
- Diaphragm operated
- 1/8", 1/4" ports (NPT)



Port Size	Description	Part Number
1/8"	Non-Relieving, 0-125 Reduced Pressure, Without Gauge	R24-01CK
1/4"	Non-Relieving, 0-125 Reduced Pressure, Without Gauge	R24-02CK

NOTE: 1.250 Dia. (31.8 mm) hole required for panel mounting.

Operating information

Supply pressure (max):	Inlet 150 psig (10.0 bar)
Operating temperature:	40°F to 125°F (4°C to 52°C)
Gauge ports (2):	1/8 inch (can be used for full flow)
Weight:	0.25 lb (0.11 kg)

Ordering Information:

R24 - 02 C K

Type	Relief
EPDM Elastomers R25	K Non-Relieving P Panel Mount Nut
Port Size	Pressure Range
1/8 inch 01 1/4 inch 02	A 0 to 25 psig (0 to 2 bar) B 0 to 60 psig (0 to 4 bar) C 0 to 125 psig (0 to 8 bar)

Most popular.



For inventory, lead times, and kit lookup, visit www.pdnplu.com

K104

Parker Hannifin Corporation
Pneumatic Division
Richland, Michigan
www.parker.com/pneumatics

Miniature Water Regulators

Material Specifications

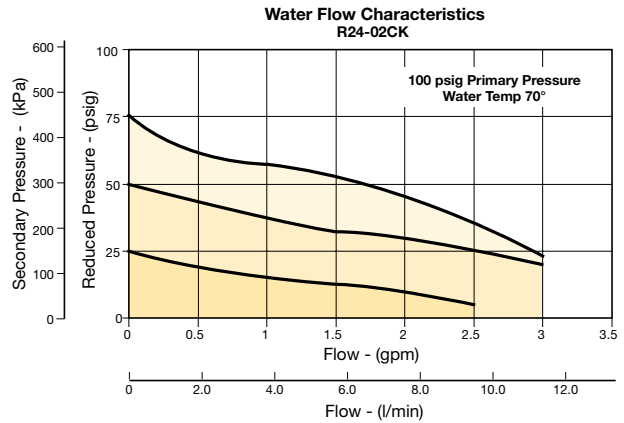
Adjusting screw	Steel
Body	Acetal
Bonnet and seat	Acetal
Diaphragm	EPDM
Seals	EPDM
Springs	Stainless steel
Valve poppet	EPDM

Repair and Service Kits

Panel mount nut, plastic	R05X51-P
Mounting bracket and nut	SA161X57
Relieving (EPDM)	RKR24Y
Non-Relieving (EPDM)	RKR24KY
0-25 psig spring	SPR-375-1
0-60 psig spring	SPR-376
0-125 psig spring	SPR-377
Tamperproof kit	CKR364T

Air Preparation Products Regulator Products

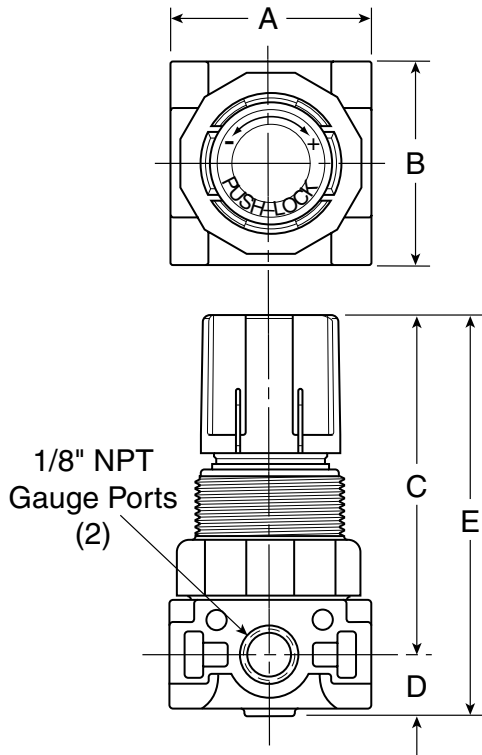
Flow Charts



WARNING
Product rupture can cause serious injury.
Do not connect regulator to bottled gas.
Do not exceed Maximum primary pressure rating.

CAUTION:

REGULATOR PRESSURE ADJUSTMENT – The working range of knob adjustment is designed to permit outlet pressures within their full range. Pressure adjustment beyond this range is also possible because the knob is not a limiting device. This is a common characteristic of most industrial regulators, and limiting devices may be obtained only by special design. For best performance, regulated pressure should always be set by increasing the pressure up to the desired setting.



General

Dial

Pilot

Proportional

Precision

Water

K

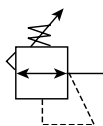
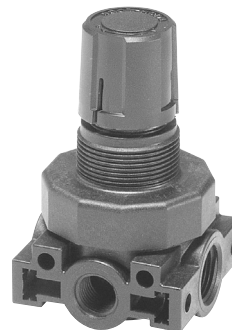
Regulator Products



R46 Regulators - Miniature Water

Water service

- Constructed with a combination of N.S.F. and F.D.A. compliant materials
- Lightweight plastic body
- Unbalanced poppet standard
- Non-rising, push-to-lock adjusting knob
- Compact, 3.43 inch (87.1mm) high by 2.06 inch (52.3mm) wide
- Lightweight
- Diaphragm operated
- 1/4", 3/8" ports (NPT)



Operating information

Supply pressure (max):	Inlet 150 psig (10.0 bar)
Operating temperature:	40°F to 125°F (4°C to 52°C)
Gauge ports (2):	1/4 inch (can be used for full flow)
Weight:	0.38 lb (0.17 kg)

Port Size	Description	Part Number
1/4"	Non-Relieving, 0-125 Reduced Pressure, Without Gauge	R46-02CK
3/8"	Non-Elieving, 0-125 Reduced Pressure, Without Gauge	R46-03CK

NOTE: 1.250 Dia. (31.8 mm) hole required for panel mounting.

Ordering Information:

R46 - 02 C

Type EPDM Elastomers R46	Port Size 1/4 inch 02 3/8 inch 03	Relief K Non-Relieving P Panel Mount Nut	Pressure Range A 0 to 25 psig (0 to 2 bar) B 0 to 60 psig (0 to 4 bar) C 0 to 125 psig (0 to 8 bar)
------------------------------------	--	---	---

Most popular.



For inventory, lead times, and kit lookup, visit www.pdnplu.com

Miniature Water Regulators

Material Specifications

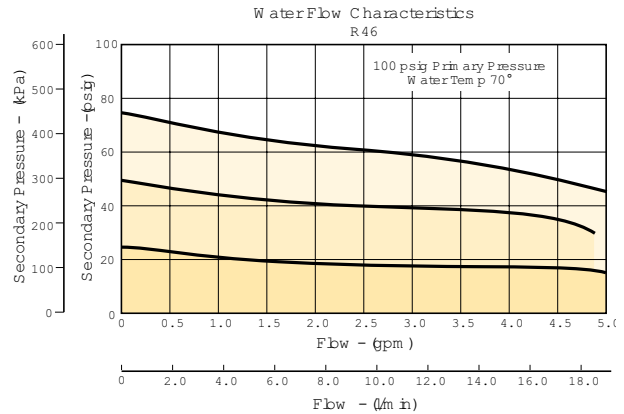
Adjusting screw	Steel
Body	Acetal
Bonnet and seat	Acetal
Diaphragm	EPDM
Seals	EPDM
Springs	Stainless steel
Valve Poppet	EPDM

Repair and Service Kits

Panel mount nut, plastic	R05X51-P
Mounting bracket and nut	SA161X57
Relieving	RKR45Y
Non-Relieving	RKR45KY
0-25 psig spring	SPR-46
0-60 psig spring	SPR-47
0-125 psig spring	SPR-48

Air Preparation Products Regulator Products

Flow Charts

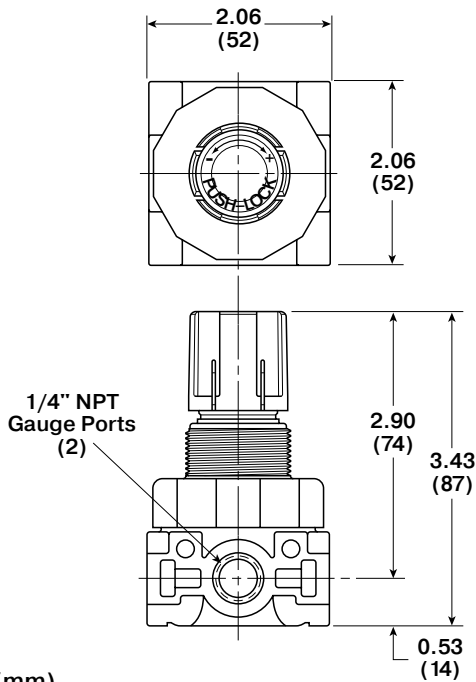


⚠ WARNING

**Product rupture can cause serious injury.
Do not connect regulator to bottled gas.
Do not exceed Maximum primary pressure rating.**

CAUTION:

REGULATOR PRESSURE ADJUSTMENT – The working range of knob adjustment is designed to permit outlet pressures within their full range. Pressure adjustment beyond this range is also possible because the knob is not a limiting device. This is a common characteristic of most industrial regulators, and limiting devices may be obtained only by special design. For best performance, regulated pressure should always be set by increasing the pressure up to the desired setting.



General

Dial

Pilot

Proportional

Precision

Water

K

Regulator Products



K

Regulator Products



For inventory, lead times, and kit lookup, visit www.pdnplu.com

K108

Parker Hannifin Corporation
Pneumatic Division
Richland, Michigan
www.parker.com/pneumatics



Air Preparation Products
Bulk Liquid Separators

WS

L2-L6

Bulk Liquid
Separators



WS Compressed Air Water Separator

Tested in accordance with ISO 8573-1

Designed for use with compressor inter coolers / after coolers, integration with refrigeration dryer heat exchangers or protection of coalescing filter from heavy liquid contamination

Specifically designed to meet the needs of modern air compressors and optimised for use with variable speed air compressors

Flow management system - Engineered to provide smooth air flow from entry to exit

Water separator module design includes optimised vanes to spin the compressed air, a high efficiency impinger for maximum separation efficiency, vortex concentrator and 90-degree elbow with turning vanes to promote a consistent, optimum air flow with minimal pressure loss

1/4" to 3" ports (NPT, BSPP)



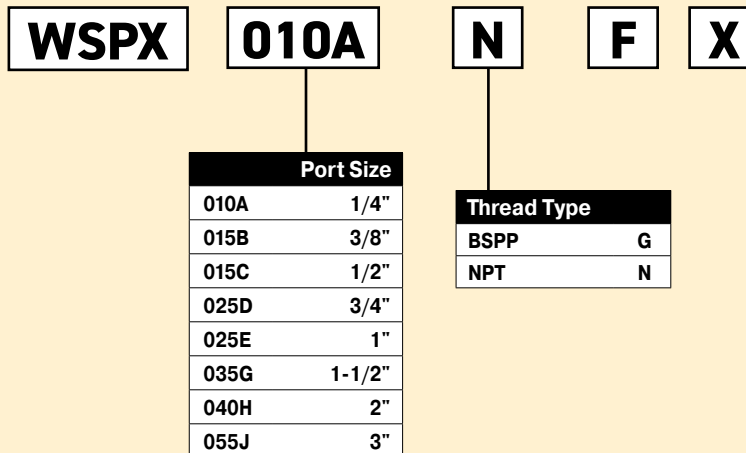
Operating information

Operating pressure (max):	232 psig (16 bar)
Operating pressure (min):	22 psig (1.5 bar)
Operating temperature:	35°F to 149°F (2°C to 65°C)
Flow:	1/4" 21 scfm (10 L/s)
	3/8", 1/2" 85 scfm (40 L/s)
	3/4", 1" 233 scfm (110 L/s)
	1-1/2", 2" 742 scfm (350 L/s)
	3" 1695 scfm (800 L/s)
Weight:	1/4" 1.78 lb (0.81 kg)
	3/8", 1/2" 3.10 lb (1.41 kg)
	3/4", 1" 5.86 lb (2.66 kg)
	1-1/2", 2" 15.14 lb (6.87 kg)
	3" 18.66 lb (8.47 kg)

Pipe Size	Part Number (NPT)
1/4"	WSPX010ANFX
3/8"	WSPX015BNFX
1/2"	WSPX015CNFX
3/4"	WSPX025DNFX
1"	WSPX025ENFX
1-1/2"	WSPX035GNFX
2"	WSPX040HNFX
3"	WSPX055JNFX

Pressure differential at rated flow ... 1.6 psid (111 mbar)
 Stated flows are for operation at 102 psig (7 bar) with reference to 68°F (20°C), 1 bar (a), 0% relative water vapor pressure.

Ordering Information:



Most popular.



For inventory, lead times, and kit lookup, visit www.pdnplu.com

Inlet air pressure correction

psi	15	29	44	58	73	87	100	116	131	145	160	174	189	203	218	232
bar	1	2	3	4	5	6	7	8	9	10	11	12	13	14	15	16
Factor	4.00	2.63	2.00	1.59	1.33	1.14	1.00	0.94	0.89	0.85	0.82	0.79	0.76	0.73	0.71	0.68

Material Specifications

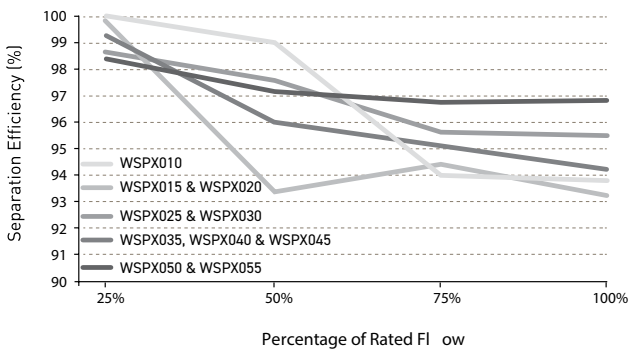
Automatic float drain	Plastic
Housing / bowl	Aluminum
Seals	Fluorocarbon

Repair and Service Kits

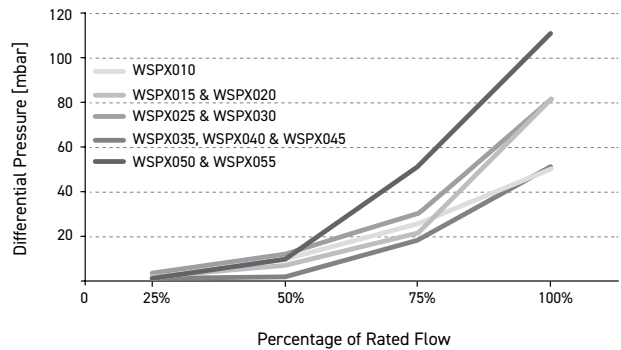
Drain kit	EFI
-----------	------------

Flows

WS Water Separator
Liquid Separation Efficiency (25% - 100% Rated Flow)

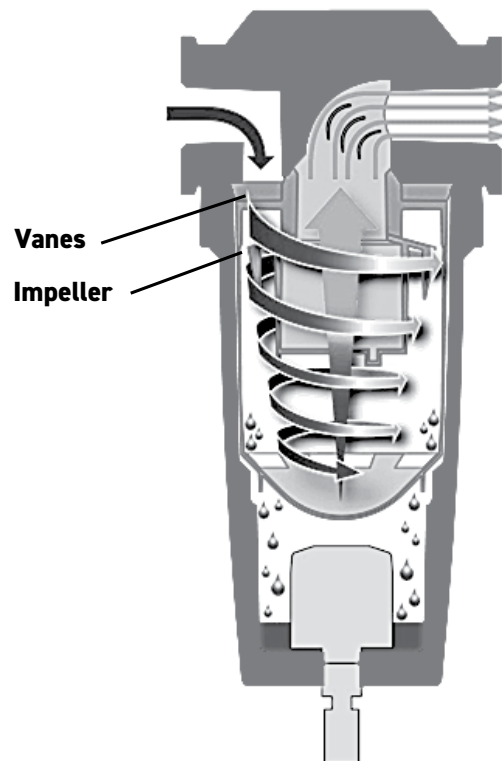


WS Water Separator
Differential Pressure (25%-100% Rated Flow)



Operation

- Air enters the bulk liquid separator inlet and turns into the separator module.
- The inlet of the separator module contains a set of fixed vanes which the air must pass through.
- The vanes force the air to spin inside the vessel.
- The spinning air is then forced to change direction as it passes the impeller.
- A vortex is created which, due to the design of the separator module, narrows and intensifies as it reaches the lower part of the separator module.
- Bulk liquid is removed from the airstream due to:
 - directional changes of the airstream
 - velocity changes
 - centrifugal action of the vortex
- As the vortex reaches the bottom of the module, air is forced through the center of the vortex.
- Aerospace turning vanes, located in the outlet of the separator module, turn an inefficient corner into a number of more efficient corners.
- Turning vanes reduce turbulence, minimizing pressure loss and cost of ownership.
- The number of vanes required is dependent upon the conduit diameter.



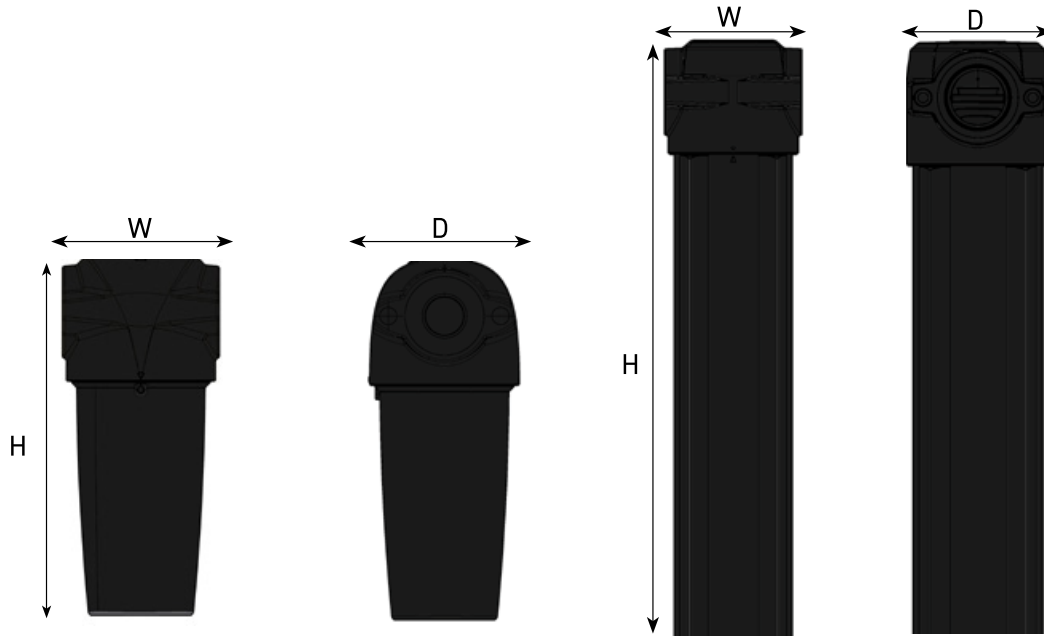
P3TF Series

Bulk Liquid Separators



For inventory, lead times, and kit lookup, visit www.pdnplu.com

P3TF (Bulk Liquid Separator)



Dimensions

Part Number	Pipe size	H	W	D	BSP
WSPX010ANFX	1/4"	7.09 (180)	2.99 (76)	1.28 (32.5)	1/2
WSPX015BNFX	3/8"	9.37 (238)	3.50 (89)	1.66 (42)	1/2
WSPX015CNFX	1/2"	9.37 (238)	3.50 (89)	1.66 (42)	1/2
WSPX025DNFX	3/4"	10.91 (277)	4.72 (120)	2.26 (57.5)	1/2
WSPX025ENFX	1"	10.91 (277)	4.72 (120)	2.26 (57.5)	1/2
WSPX035GNFX	1-1/2"	17.32 (440)	6.46 (164)	3.09 (78.5)	1/2
WSPX040HNFX	2"	17.32 (440)	6.46 (164)	3.09 (78.5)	1/2
WSPX055JNFX	3"	20.28 (515)	7.56 (192)	3.60 (91.5)	1/2

Inches (mm)

P3TF Series
Bulk Liquid Separators

Wall Mounting Bracket Kit

Mounting brackets provide additional support to filters installed in flexible piping systems or OEM equipment.

Brackets

Part Number	Bracket Part Number
WSPX010ANFX	MBK1-1
WSPX015BNFX	MBK2-1
WSPX015CNFX	MBK2-1
WSPX025DNFX	MBK3-1
WSPX025ENFX	MBK3-1
WSPX035GNFX	MBK4-1
WSPX040HNFX	MBK4-1
WSPX055JNFX	MBK5-1



P3TF Series

Bulk Liquid Separators



Bulk Liquid
Separators



For inventory, lead times, and kit
lookup, visit www.pdnplu.com

Air Preparation Products
Dryer Series

SPE / DRD Refrigeration	M2-M5
DD Disposable	M6
DD Inline Desiccant	M7-M8
TW Heatless Desiccant	M9-M12



SPE / DRD Refrigeration Dryer Series



Refrigeration
 Disposable
 Desiccant
 Regenerative Desiccant
 Heatless Desiccant
 Dryers

SPE010 - SPE0250

- “Plug & Play” design for easy installation and operation
- Small space saving design
- High reliability, easy to use and maintain
- All models equipped standard with a digital controller
 - controls integral timed drain
 - various warning and alarms
 - on/off indicator
- Drain has access from both sides
- Non cycling dryer

DRD325 - DRD2400

- Optimum dewpoint levels for highest system performance
- Advanced patented design solutions
- High reliability, easy to use and maintain
- Unique 4-in-1 SmartPack heat exchanger
- Integral drain
- Extremely low pressure drop design
- SmartControl energy saving function (cycling dryer)
- Excellent dewpoint performances
- Advanced compliant scroll compressor

Capacity SCFM @ 100 psig (m ³ /min @ 6.9 bar)	Primary Voltage	Part Number	Pipe Size (NPT) †	Recommended Filtration		
				Bulk Separator	Pre-Filter (5µ particulate)*†	Post-Filter (.01µ coalescing w DPI)
10 (17)	115V/1 ph / 60 Hz	SPE010-A11516016TIU	1/2"	P3TFA94WCAN	P32FB94QSAN *	P32FB94DSAN
15 (26)	115V/1 ph / 60 Hz	SPE015-A11516016TIU	1/2"	P3TFA94WCAN	P32FB94QSAN *	P32FB94DSAN
25 (43)	115V/1 ph / 60 Hz	SPE025-A11516016TIU	1/2"	P3TFA94WCAN	P32FB94QSAN *	P32FB94DSAN
35 (60)	115V/1 ph / 60 Hz	SPE035-A11516016TIU	3/4"	P3TFA96WDAN	P33FA96QSAN *	P33FA96DSAN
50 (85)	115V/1 ph / 60 Hz	SPE050-A11516016TIU	3/4"	P3TFA96WDAN	P33FA96QSAN *	P33FA96DSAN
75 (127)	115V/1 ph / 60 Hz	SPE075-A11516016TIU	1"	P3TFA98WEAN	P3YFA98ESAN	P3YFA98DSAN
100 (170)	115V/1 ph / 60 Hz	SPE0100-A11516016TIU	1"	P3TFA98WEAN	P3YFA98ESAN	P3YFA98DSAN
125 (212)	115V/1 ph / 60 Hz	SPE0125-A11516016TIU	1"	P3TFA98WEAN	P3YFA98ESAN	P3YFA98DSAN
150 (255)	115V/1 ph / 60 Hz	SPE0150-A11516016TIU	1-1/2"	P3TFA9BWGAN	P3NFA9PGSA †	P3NFA9PDSA
175 (297)	115V/1 ph / 60 Hz	SPE0175-A11516016TIU	1-1/2"	P3TFA9BWGAN	35F77BAP	35F77EAP
175 (297)	230 V/1 ph / 60 Hz	SPE0175-A23016016TIU	1-1/2"	P3TFA9BWGAN	35F77BAP	35F77EAP
200 (340)	230 V/1 ph / 60 Hz	SPE0200-A23016014TIU	1-1/2"	P3TFA9BWGAN	35F77BAP	35F77EAP
250 (425)	230 V/1 ph / 60 Hz	SPE0250-A23016014TIU	1-1/2"	P3TFA9BWGAN	35F77BAP	35F77EAP
325 (552)	230V/3ph/60Hz & 460V/3ph/60Hz	DRD325-A23036014EI DRD325-A46036014EI	2" NPT-F	P3TFA9CWHAN	35F87BAP	35F87EAP
400 (680)	230V/3ph/60Hz & 460V/3ph/60Hz	DRD400-A23036014EI DRD400-A46036014EI	2" NPT-F	P3TFA9CWHAN	35F87BAP	35F87EAP
500 (849)	230V/3ph/60Hz & 460V/3ph/60Hz	DRD500-A23036014EI DRD500-A46036014EI	2" NPT-F	P3TFA9CWHAN	35F87BAP	35F87EAP
700 (1189)	230V/3ph/60Hz & 460V/3ph/60Hz	DRD700-A23036014EI DRD700-A46036014EI	3" NPT-M	P3TFA9EWKAN	43FN7BAP	43FN7EAP
800 (1359)	230V/3ph/60Hz & 460V/3ph/60Hz	DRD800-A23036014EI DRD800-A46036014EI	3" NPT-M	P3TFA9EWKAN	43FN7BAP	43FN7EAP
1000 (1700)	460V/3ph/60Hz	DRD1000-A46036014EI	3" NPT-M	P3TFA9EWKAN	43FN7BAP	43FN7EAP
1200 (2039)	460V/3ph/60Hz	DRD1200-A46036014EI	3" NPT-M	P3TFA9EWKAN	43FN7BAP	43FN7EAP
1600 (2718)	460V/3ph/60Hz	DRD1600-A46036014EI	4" Flg.	P3TFAFFW2AN	P3TFAFFQ2AN*	P3TFAFFD2AN
2000 (3400)	460V/3ph/60Hz	DRD2000-A46036014EI	6" Flg.	P3TFAFGW3AN	P3TFAFGQ3AN*	P3TFAFGD3AN
2400 (4078)	460V/3ph/60Hz	DRD2400-A46036014EI	6" Flg.	P3TFAFGW3AN	P3TFAFGQ3AN*	P3TFAFGD3AN

‡ SPE010-025 are 1/2" NPT compatible. SPE035-0250 are manufactured with BSPP-F ports, but come standard with BSP to NPT adapter.

* 1µ coalescing

† 40 micron

☐ Most popular.



For inventory, lead times, and kit lookup, visit www.pdnplu.com

Refrigeration Dryers

The importance of compressed air as a provider of energy for modern industrial processes is widely known. What is often overlooked however is the need to provide quality treatment for this air.

In fact, the air entering the system contains condensate which, when cooled, will turn into liquid water, causing extensive damage not only to the compressed air network, but also to the finished product.

DRD refrigeration dryers actively remove this condensate to achieve extremely dry compressed air.

Our SmartPack heat exchanger offers minimal pressure drops and class leading performance, and significantly increases the efficiency of the whole compressed air treatment process. The innovative SmartControl function automatically and continuously adjusts dryer operation to the effective working conditions, minimizing operating costs and maximizing performances.

Compressed air purification equipment must deliver uncompromising performance and reliability while providing the right balance of air quality with the lowest cost of operation. Many manufacturers offer products for the filtration and purification of contaminated compressed air, which are often selected only upon their initial purchase cost, with little or no regard for the air quality they provide, the cost of operation throughout their life or their environmental impact. When purchasing purification equipment, delivered air quality, the overall cost of ownership and the equipment's environmental impact must always be considered.

Smart technology: the benefits

SmartPack heat exchanger provides less than 2 PSI pressure drop

The SmartPack (patent pending) heat exchanger features an extremely robust, all-in-one aluminum design, with no interconnecting tubing.

The geometry of the heat exchanger has been designed in order to optimize its performances. In particular, large volumes allow low air velocity through the heat exchanger section, resulting in high exchange efficiency and low pressure drops. Pressure drops are further improved thanks to the absence of interconnecting pipes through the different sections of the heat exchanger and to a straight forward path of the compressed air flow with smooth and minimum changes of flow directions.

Smart BMS interface

- Simple BMS interface includes:
- RS485 serial card provides direct communication to Modbus. Requires no gateway or A.N.I.
- Provides visualization of dewpoint, alarm conditions and service indication
- Provides remote control of the dryer including on/off and alarm reset (depending on actual alarm)

Air Preparation Products Dryers



Refrigeration

Disposable

Desiccant

Regenerative
DesiccantHeatless
Desiccant

Dryers

M

SmartDrain - Dual mode zero air loss drain

The drainage chamber is integrated into the heat exchanger while the valve mechanism is fitted in an easily accessible drain niche. The SmartDrain continuously adjusts itself to the actual working conditions, ensuring zero air loss and a notable reduction in system power consumption.

An innovative control system continuously monitors for fault situations. If a fault does occur, an alarm is signaled and the drain switches to conventional timed solenoid drain operation. The dual mode circuitry ensures maximum reliability.

Smart control with SmartSave cycling

The multifunction SmartControl provides a versatile platform for user interface and SmartSave Cycling (if enabled). The innovative SmartSave (patent pending)

Cycling Control continuously monitors the demand placed on the dryer. At conditions of low demand the refrigerant compressor is cycled off to save energy. A sophisticated algorithm continuously adapts the operation of the dryer for optimum energy efficiency while minimizing the dewpoint spikes common to traditional thermal mass dryers.

Compliant scroll compressors

These units feature Compliant Scroll compressors, offering energy savings of 20 -30% when compared with piston compressors. The ability to tolerate liquid returns coupled with 50% less moving parts render them nearly indestructible and highly reliable. Low vibration levels increase overall refrigeration circuit



For inventory, lead times, and kit lookup, visit www.pdnplu.com

Operating information

Dryer Models	Dewpoint	Operating pressure		Operating temperature		Ambient maximum	Electrical supply	Thread	Noise level bB(A)	Refrigerant type
		Min	Max	Min	Max					
SPE010 - SPE050	ISO 8573-1 Class 5	29 psig (2 bar)	232 psig (16 bar)	41°F (5°C)	149°F (65°C)	122°F (50°C)	115V 1ph 60 Hz	NPT	<75	R134a
SPE075 - SPE0175			203 psig (14 bar)		230 1ph 60 Hz					
SPE0200 - SPE0250										

Controller Functions

Dryer Models	Power on indication	Visual fault indication	Compressed air temperature	Dryer service indicator	Fault relay power loss
SPE010-0250	X	X	X	X	X

Quality Assurance / IP Rating / Pressure Vessel Approvals

Development/Manufacture ISO 9001 / ISO 14001
Ingress Protection Rating IP22 Indoor Use Only

Product Selection and Correction Factors

Capacities are based upon: Ambient temperature - 100°F (38°C); inlet temperature - 100°F (38°C); and working pressure - 100 psig (7 bar g)

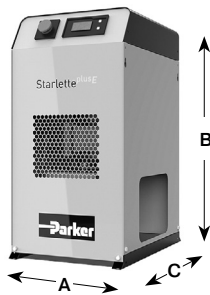
Minimum Drying Capacity = System flow x CFIT x CFATx CFMIP

NOTE: Flowrate, temperatures, and pressure MUST be provided by customer.

Example: 50 scfm flowrate Inlet temperature - 100°F (38°C) = 1.0
Max ambient temperature - 110°F (43°C) = 1.08
Min inlet pressure - 80°F (27°C) = 1.09
50 (1.0) + 1.08 + 1.09 = 59, therefore, a larger 75 scfm dryer is required

	SPE010 - SPE0250										DRD325 - DRD2400									
CFIT - Correction factor minimum inlet temperature																				
°F	90	95	100	110	120	130	140	149					90	100	110	120	130	140		
°C	32	35	38	43	49	54	60	65					32	38	43	49	54	60		
Factor	0.74	0.82	1.00	1.33	1.76	2.38	2.60	2.67					1.22	1.00	0.82	0.68	0.56	0.46		
CFAT - Correction factor maximum ambient temperature																				
°F	60	70	80	90	95	100	110	120	122				70	80	90	100	110	120	122	
°C	16	21	27	32	35	38	43	49	50				21	27	32	38	43	49	50	
Factor	0.93	0.93	0.93	0.93	0.96	1.00	1.08	1.16	1.18				1.22	1.15	1.05	1.00	0.94	0.79	0.71	
CFMIP - Correction factor minimum inlet pressure																				
psig	45	60	80	100	125	145	150	160	175	200	232	60	80	100	125	150	174	203		
bar	3	4	6	7	9	10	10	11	12	14	16	3	6	7	9	10	12	14		
Factor	1.40	1.17	1.09	1.00	0.88	0.83	0.82	0.81	0.79	0.75	0.71	0.83	0.93	1.00	1.07	1.12	1.15	1.18		

Dimensions	Part Number	A width	B height	C depth	Weight (kg)
SPE010-SPE0250	SPE010-A11516016TIU	11.8 (300)	20.5 (520)	15.7 (400)	53 (24)
	SPE015-A11516016TIU	11.8 (300)	20.5 (520)	15.7 (400)	53 (24)
	SPE025-A11516016TIU	11.8 (300)	20.5 (520)	15.7 (400)	55 (25)
	SPE035-A11516016TIU	13.0 (330)	22.8 (580)	21.7 (550)	77 (35)
	SPE050-A11516016TIU	13.0 (330)	22.8 (580)	21.7 (550)	79 (36)
	SPE075-A11516016TIU	15.7 (400)	25.6 (650)	24.8 (630)	101 (46)
	SPE0100-A11516016TIU	15.7 (400)	25.6 (650)	24.8 (630)	101 (46)
	SPE0125-A11516016TIU	15.7 (400)	25.6 (650)	24.8 (630)	104 (47)
	SPE0150-A11516016TIU	15.7 (400)	25.6 (650)	24.8 (630)	117 (53)
	SPE0175-A11516016TIU	15.7 (400)	25.6 (650)	24.8 (630)	121 (55)
	SPE0175-A23016016TIU	15.7 (400)	25.6 (650)	24.8 (630)	121 (55)
	SPE0200-A23016014TIU	17.7 (450)	33.1 (840)	30.7 (780)	176 (80)
	SPE0250-A23016014TIU	17.7 (450)	33.1 (840)	30.7 (780)	176 (80)



Inches (mm)

Most popular.



For inventory, lead times, and kit lookup, visit www.pdnplu.com

Dimensions	Part Number	A width	B height	C depth	Weight (kg)
<p>Inches (mm)</p>	DRD325-DRD2400				
	DRD325-A23036014EI	28.0 (711)	42.0 (1067)	41.0 (1041)	320 (145)
	DRD400-A23036014EI	28.0 (711)	42.0 (1067)	41.0 (1041)	320 (145)
	DRD500-A23036014EI	28.0 (711)	42.0 (1067)	41.0 (1041)	342 (155)
	DRD700-A23036014EI	32.0 (813)	52.0 (1321)	46.0 (1168)	529 (240)
	DRD800-A23036014EI	32.0 (813)	52.0 (1321)	46.0 (1168)	529 (240)
	DRD1000-A46036014EI	32.0 (813)	52.0 (1321)	46.0 (1168)	551 (250)
	DRD1200-A46036014EI	40.0 (1016)	67.0 (1702)	43.0 (1092)	816 (370)
	DRD1600-4A6036014EI	40.0 (1016)	68.0 (1727)	71.0 (1803)	1279 (580)
	DRD2000-A46036014EI	40.0 (1016)	68.0 (1727)	71.0 (1803)	1477 (670)
	DRD2400-A46036014EI	40.0 (1016)	68.0 (1727)	71.0 (1803)	1521 (690)

Refrigeration
Disposable
Desiccant
Regenerative Desiccant
Heatless Desiccant
Dryers
M

Most popular.



For inventory, lead times, and kit lookup, visit www.pdnplu.com

DD10 Mini Disposable Dryer

Mini disposable inline desiccant dryer - DD10

Used at the point-of-use, this disposable, mini inline desiccant dryer removes all traces of water vapor, oil vapor and dirt. It is often used directly upstream of blow guns or spray guns as final protection for critical parts blow off and paint spraying. Install in either direction; it functions in both directions.

A 40 micron, porous bronze element removes fine dirt particles, an oil removing media removes oil vapor, and desiccant beads adsorb water vapor. The see-through housing shows desiccant color change from the original orange to a green color in the desiccant beads, which indicates that the dryer needs to be replaced.

Features

- Polycarbonate material allows clear desiccant visibility
- Disposable
- Used for parts blow off
- Protection for paint guns
- Non-toxic desiccant standard
- 1/4" port (NPT)



DD10-02

Operating information

Operating temperature:	32°F to 130°F (0°C to 54°C)
Maximum	130°F (54°C)
Flow capacity:	15 scfm (7.1 dm ³ /s, ANR)
Pressure rating (max.):	125 psig (8.6 bar)
Weight:	2.8 oz (79.4 g)

Installation

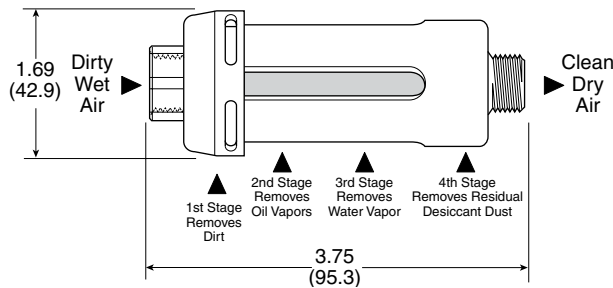
The DD10 is equipped with a 1/4" NPT (F) and (M) ports and can be installed in either direction. When installing the filter/dryer hand tighten to a leak proof seal. Do not use any mechanical means to hold the filter/dryer and do not over torque the threads.

Operation

1. The unique feature of the filter/dryer design allows you to visually see when it is time to install a new DD10 by observing the color change from the original orange color to a complete green color in the desiccant beads.
2. Do not attempt to clean the filter/dryer as the use of solvents, ketones, etc., will adversely affect the plastic housing.
3. Keep the hose free of snags. Extra tension on the filter/dryer assembly could break the unit at the connecting ports. To clear stuck hoses, grasp hose below the filter/dryer.

Non-metallic material is highly resistant to chemicals.

See through housing shows color change when dryer needs replacement.



Refrigeration
 Disposable
 Desiccant
 Regenerative Desiccant
 Heatless Desiccant
 Dryers
M

DD Inline Desiccant Dryers

Inline desiccant dryers are a convenient and cost effective means of ensuring your sensitive intermittent pneumatic applications are never exposed to damaging moisture

Compact size for point-of-use applications

Drying efficiency down to -40°F pressure dew point

Easily and quickly serviced

Sight glass in bowl to monitor desiccant

Built-in particulate after filter prevents downstream dust

No electricity needed

Low pressure drop

No purge air lost as with other dryer types

Check valve required on inlet

Desiccant must be ordered separately



Inline Desiccant Dryers

Port Size	Part Number scfm / desiccant Capacity ¹		
	15 scfm / 2.5 lb.	30 scfm / 5 lbs.	60 scfm / 10 lbs.
1/4 ²	DD15-02		
3/8 ²	DD15-03		
1/2 ²	DD15-04	DD30-04	DD60-04
3/4	DD15-06	DD30-06	DD60-06
1		DD30-08	DD60-08

Notes:

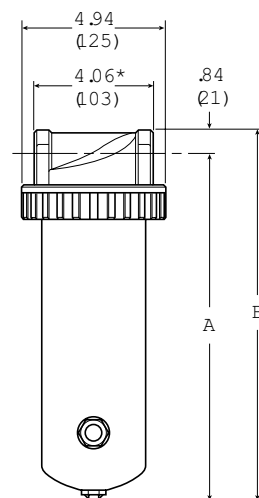
- Desiccant must be ordered separately.
- These units supplied with reducer bushings.

Installation tips

- Always place a moisture separator / particulate filter to remove bulk moisture and a coalescing filter to remove oil upstream of desiccant dryer. Desiccant coated with oil will not adsorb water vapor.
- Automatic drains should be used in prefilters
- A spring ball check valve should be installed at the dryer inlet to maximize the life of the desiccant.

Operating information

Optimum working temperature:	Below 100°F
Operating temperature:	32°F to 180°F (0°C to 82°C)
Operating pressure (max.):	0 to 300 psig (21 bar)
Filter element rating:	
DD15, DD30	90 micron
DD60	40 micron
Desiccant capacity:	
DD15	2.5 lb. (1.1 kg)
DD30	5 lb. (2.3 kg)
DD60	10 lb. (4.5 kg)
Weight:	
DD15 (add 2.5 lb for weight full)	8 lb. (3.6 kg)
DD30 (add 5 lb for weight full)	13 lb. (5.9 kg)
DD60 (add 10 lb for weight full)	20 lb. (9.1 kg)



	A	B
DD15	12.69 (322)	13.5 (343)
DD30	22.44 (570)	23.25 (591)
DD60	29.44 (748)	30.25 (768)

* Dimension does not include reducer bushings for 1/4", 3/8", 1/2" versions.
 Inches (mm)

Most popular.



For inventory, lead times, and kit lookup, visit www.pdnplu.com

M7

Parker Hannifin Corporation
 Pneumatic Division
 Richland, Michigan
www.parker.com/pneumatics

Refrigeration

Disposable

Desiccant

Regenerative
Desiccant

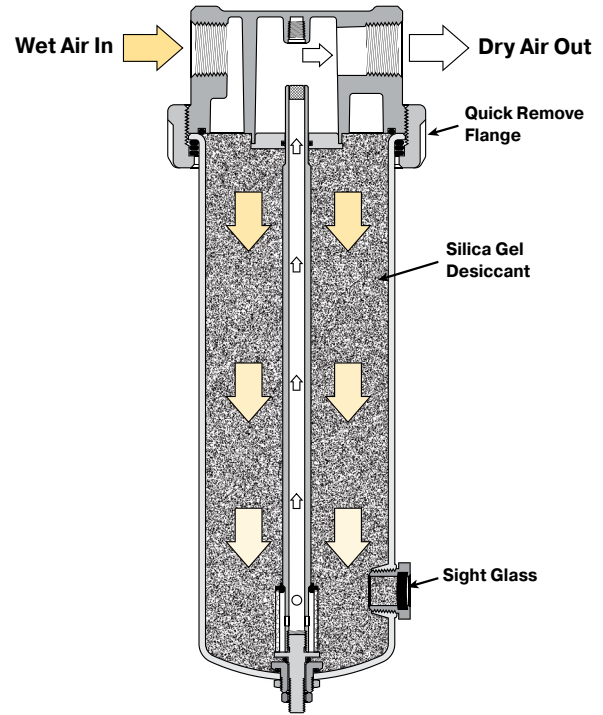
Heatless
Desiccant

Dryers

M

As the wet compressed air enters through the inlet, the air travels down through the bed of desiccant which adsorb the water vapor and aerosols. The silica gel desiccant beads will reduce the humidity down to a -40°F pressure dew point. After the moisture has been removed, the dry air passes through a sintered bronze filter element (eliminating dust downstream), up the tube and out the outlet port.

As the desiccant becomes saturated with moisture, the dew point will begin to rise. This is evident when the orange silica gel desiccant beads in the sight glass change to green, indicating the need for desiccant replacement. Simply remove the flange and bowl and replace with new desiccant or regenerate saturated desiccant by heating to 275°F.



Material specifications

Bowl, DD15	Aluminum
Bowl, DD30	Aluminum
Bowl, DD60	Steel
Flow tube	CPVC
Filter element	Sintered bronze
Head & flange ring	Zinc
Other hardware	Brass
Seals	Buna-N
Sight glass	Glass & steel

Repair and Service Kits

Desiccant - 100% Indicating silica gel, DD15	DRP-14-447/003
Desiccant - 100% Indicating silica gel, DD30	DRP-14-447/006
Desiccant - 100% Indicating silica gel, DD60	DRP-14-447/012
Mounting brackets (pair of pipe mounted brackets), 1 inch pipe size	SA200CW57
Flow tube repair kit (tube, filter element(s), adaptor), DD15	RKDD15-02-06
Flow tube repair kit (tube, filter element(s), adaptor), DD30	RKDD30-03-08
Flow tube repair kit (tube, filter element(s), adaptor), DD60	RKDD60-03-08
Mounting brackets (DD15 & DD30 only) – 1 inch pipe size (pair of pipe mounted brackets)	SA200CW57
1/4 inch NPT, spring check valve for inlet (250 psig max.)	003393001
3/8 inch NPT, spring check valve for inlet (250 psig max.)	003393002
1/2 inch NPT, spring check valve for inlet (250 psig max.)	003393003
3/4 inch NPT, spring check valve for inlet (250 psig max.)	003393004

Refrigeration
 Disposable
 Desiccant
 Regenerative Desiccant
 Heatless Desiccant
 Dryers
M



For inventory, lead times, and kit lookup, visit www.pdnplu.com

TW Heatless Desiccant Air Dryer

Parker TW Series Heatless Desiccant Air Dryers remove water vapor from compressed air through a process known as pressure swing adsorption. Pressure dewpoints of -40°F (-40°C) standard are attained by directing the flow of saturated compressed air over a bed of desiccant.

Features

Allen-Bradley® PLC

Two year dryer warranty (parts and labor)

4 line display

NEMA 4X enclosure

Selectable cycles

Switching Valves

Five year switching valve warranty from manufacturer's defects (see warranty policy)

Factory Installed Filtration

Single point connection for system integrity

Differential pressure gauges for element condition

Filter drains

Regulated Purge

Factory set

Optimum purge regardless of operating pressure

Repressurization circuit



Operating information

Inlet or ambient air temperature:	50°F to 120°F (10°C to 49°C) maximum
Operating pressure:	80 psig (5.5 bar) minimum
Working pressure:	150 psig (10.5 bar) maximum
Pressure drop at rated flow:	less than 5 PSI (0.34 bar)
Primary voltage:	120V/1ph/60Hz

Heatless Desiccant Air Dryers, Filtration comes with Dryer unit as standard.

Part Number	Capacity SCFM @ 100 psig	Approximate Purge scfm	Dryer Air Port in/out (NPT)	Pre-Filter	After-Filter
TW41BN14NNN	40	6	1/2"	AAP015CFNI	AOP015CNFI
TW56BN14NNN	55	8	3/4"	AAP020DFNI	AOP020DNFI
TW76BN14NNN	75	11	3/4"	AAP025DNFI	AOP025DNMI
TW101BN14NNN	100	15	1"	AAP025ENFI	AOP025ENMI
TW131BN14NNN	130	20	1"	AAP025ENFI	AOP025ENMI
TW201BN14NNN	200	30	1-1/2"	AAP030GNFI	AOP030GNMI
TW251BN14NNN	250	38	1/1/2"	AAP035GNFI	AOP035GNMI
TW301BN14NNN	300	45	1-1/2"	AAP035GNFI	AOP035GNMI
TW401BN14NNN	400	60	2"	AAP040HNFI	AOP040HNMI
TW501BN14NNN	500	75	2"	AAP045INFI	AOP045INMI
TW601BN14NNN	600	90	2"	AAP045INFI	AOP045INMI
TW801BN14NNN	800	120	2"	AAP050INFI	AOP050INMI

Refrigeration

Disposable

Desiccant

Regenerative Desiccant

Heatless Desiccant

Dryers

M

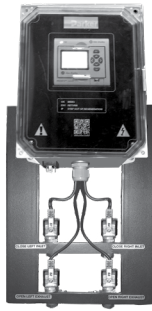


For inventory, lead times, and kit lookup, visit www.pdnplu.com

Heatless Desiccant Dryers

LED Din Connectors

- Easy to maintain and service
- Valve(s) may be serviced without opening electrical enclosure
- No hard wiring required
- Visual indication of valve activation
- Valve labeling



Additional Features

- Separate tower pressure gauges
- OSHA approved mufflers with safety relief
- ASME/CRN vessels (TW101 and larger)
- Desiccant fill and drain ports
- Safety relief valves
- Stainless steel diffuser screens
- CycleLoc® demand control
- Control air line filter
- ETL listed (UL/CSA standards)
- LED din connector(s) all solenoid valves
- 120 VAC power (other options available - consult factory)
- Power cord with basic controller
- Power din connector with advanced controller
- Power On/Off switch with advanced controller
- Steel base TW1001 and larger

Options

- PowerLoc Energy Demand Control (TW41 - TW801) optional
- All NEMA classifications
- Control air tubing - stainless steel
- Low ambient package (-20°F to +40°F air temperature)
- Instrumentation
- Locally mounted pressure and temperature gauges at inlet and outlet
- Pneumatic controls
- ASME B31.3 piping
- Corrosion allowance
- High pressure applications: 200 psig design & 250 psig design adders are available

Air Preparation Products Dryers

System Integrity

Parker TW Series Heatless Desiccant Air Dryers remove water vapor from compressed air through a process known as Pressure Swing Adsorption. Pressure dewpoints ranging from -40°F (-40°C) are attained by directing the flow of saturated compressed air over a bed of desiccant.

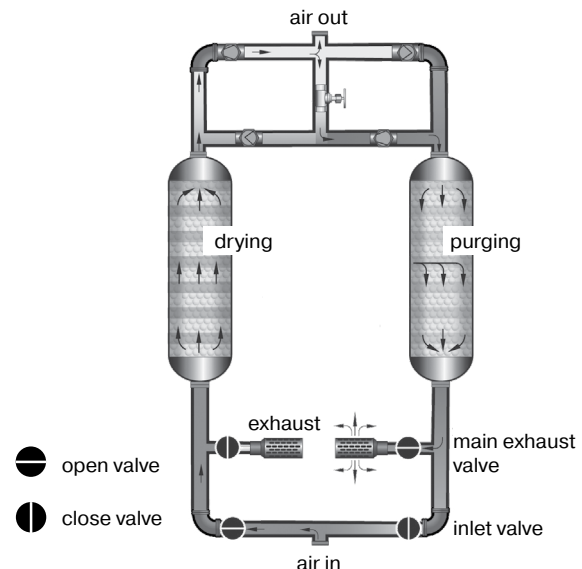
The most commonly used desiccant is activated alumina, a spherical shaped, hygroscopic material, selected for its consistent size, shape and extreme surface to mass ratio. This physically tough and chemically inert material is contained in two separate but identical pressure vessels commonly referred to as "dual" or "twin" towers.

As the saturated compressed air flows up through the "on-line" tower, its moisture content adheres to the surface of the desiccant. The dry compressed air is then discharged from the chamber into the distribution system.

An Allen-Bradley® PLC controller automatically cycles the flow of compressed air between the towers while the "on-line" tower is drying, the "off-line" tower is regenerating. Regeneration, sometimes referred to as purging, is the process by which moisture accumulated during the "on-line" cycle is stripped away during the "off-line" cycle. As dry low pressure purge air flows gently through the regenerating bed, it attracts the moisture that had accumulated on the surface of the desiccant during the drying cycle and exhausts it to the atmosphere.

To protect the desiccant bed from excess liquid, all Parker TW Series Heatless Air Dryers are designed to work with the natural pull of gravity. By directing the saturated air into the bottom of the "on-line" tower and flowing up through the bed, liquid condensate caused by system upset, is kept away from the desiccant and remains at the bottom of the tower where it can be easily exhausted during the regeneration cycle. Counter flow purging ensures optimum performance by keeping the driest desiccant at the discharge end of the dryer.

Heatless dryers in general are the most reliable and least expensive of all desiccant type dryers. Parker Airtek TW Series Heatless Desiccant Air Dryers are more energy efficient than competitors thanks to standard features such as: variable cycle control, CycleLoc® and regulated purge flow.



Refrigeration
Disposable
Desiccant
Regenerative Desiccant
Heatless Desiccant
Dryers



For inventory, lead times, and kit lookup, visit www.pdnplu.com

Heatless Desiccant Dryers

Basic Controller

(Standard on Models TW41 - TW801)

- Allen-Bradley® PLC
- Nema 4X enclosure
- LCD user interface
- Four line digital display features:
 - Tower drying indication
 - Tower regenerating indication
 - Run status
 - Time remaining in cycle
- Selectable cycle settings
- Programmable drain timer (drain on, time and test)
- Compressor demand via external dry contact (CycleLoc®)
- Power ON/OFF switch
- Step-through regeneration for maintenance
- Cycle counter
- Hours of operation



Advanced Controller

(Optional on Models TW41-801)

- Allen-Bradley® PLC
- Powerloc® Energy Demand System
 - Energy savings percentage
 - Hours in power save
- Nema 4X enclosure
- 3.5" LCD user interface
- Dew point sensor input (-148°F to 68°F)
- Optional 4-20 mA output for remotely monitoring dew point
- Tower pressure sensors
- Inlet pressure and temperature sensors
- Compressor demand via external dry contact (CycleLoc®)
- Modbus/TCP communications via standard ethernet port
- Modbus RTU communications via optional RS232/485 port (Using external gateway device)
- SD card slot for accessing historical data and alarm information
- Selectable cycle settings
- Programmable drain timer (drain on, time and test)
- User selectable alarms with common alarm relay
 - High inlet temperature
 - Low inlet pressure
 - Tower failed to blow down (switch failure)
 - Tower failed to pressurize
 - High dew point
 - Sensor failure for all sensors
 - Switch failure
 - Inlet filter pressure
- Filter maintenance timer & alarm
- Clogged muffler maintenance and alarm
- Power ON/OFF switch
- Alarm log stores most recent alarms
- Flashes green when in energy savings mode
- Flashes red when an alarm is present
- Dry contact for common alarm



Air Preparation Products Dryers

PowerLoc® Energy Management System

(Optional on Models TW41-801)**

Energy savings of up to 80% can be achieved with the proven PowerLoc® energy management system. Regeneration requirements are dependent on flow, pressure and temperature. The PowerLoc® system allows the cost of drying compressed air to be matched exactly to your plant conditions. PowerLoc® controls the drying cycle by continuously reacting to the loading under which the dryer is operating and minimizes the energy input required. As dryers rarely operate at full rated capacity all of the time (eg. during shift work and periods of low demand), this energy management system can provide considerable savings.

The Advanced Controller is designed to accommodate Parker Airtek's PowerLoc Energy Management System. Flashes green when in energy saving mode.



High Performance Components

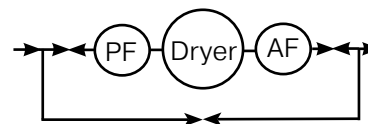
Poppet Valve

TW41 - TW801

- Stainless steel body
- Stainless steel internals
- PTFE seal
- Air activated, spring return
- Visual position indicator on exhaust valves
- ANSI Class VI shutoff
- Long service life
- Repair kits available
- 5 year valve warranty



Filter Package Schematic



Package "B"

(Standard TW41 - TW801)

Includes dryer with factory installed pre-filter and after-filter with system bypass

Refrigeration

Disposable

Desiccant

Regenerative Desiccant

Heatless Desiccant

Dryers

M



For inventory, lead times, and kit lookup, visit www.pdnplu.com

Flow correction factors

Capacities are based upon:

Maximum inlet air or ambient air temperature 120°F (49°C)

Maximum working pressure: 150 psig (10.5 bar g) standard units for high maximum working pressure are available

Minimum operating pressure: 80 psig (5.5 bar g)

Correction Factors

To obtain drying capacity at new conditions: (nominal capacity) x C1 x C2

Temperature Correction Factor

Maximum inlet temperature (C1)	°F	90	95	100	105	110	115	120
	°C	32	35	38	41	43	46	49
	CF	1.17	1.15	1.00	0.87	0.76	0.66	0.58

Pressure Correction Factor

Minimum inlet pressure (C2)	psi g	80	90	100	110	120	130
	bar g	5.5	6.2	6.9	7.6	8.3	9.0
	CF	0.83	0.91	1.00	1.09	1.17	1.26

Flows are at 100 psig inlet pressure, 100°F inlet temperature, and 100°F ambient temperature.

Weight includes desiccant dryer with basic controller FLA 2 amps, advanced controller FLA 3 amps.

Heatless Desiccant Air Dryers

TW Series	Part Number	A (length)	B (width)	C (depth)	Weight lbs. (kg)
	TW41BN14NNN	49 (1245)	21 (533)	25 (635)	190 (86)
	TW56BN14NNN	65 (1651)	22 (559)	31 (787)	230 (104)
	TW76BN14NNN	80 (2032)	34 (864)	29 (737)	384 (174)
	TW101BN14NNN	79 (2007)	36 (914)	30 (762)	468 (212)
	TW131BN14NNN	79 (2007)	36 (914)	30 (762)	496 (225)
	TW201BN14NNN	81 (2057)	42 (1067)	34 (864)	692 (314)
	TW251BN14NNN	81 (2057)	45 (1143)	36 (914)	776 (352)
	TW301BN14NNN	81 (2057)	45 (1143)	36 (914)	796 (361)
	TW401BN14NNN	83 (2108)	48 (1219)	41 (1041)	1626 (738)
	TW501BN14NNN	83 (2108)	51 (1295)	43 (1092)	1735 (787)
	TW601BN14NNN	84 (2134)	50 (1270)	44 (1118)	1740 (789)
	TW801BN14NNN	88 (2235)	56 (1422)	45 (1143)	2120 (962)

Repair and Service Kits

Dryer Model	Pre-Filter	Pre-Filter Element	After-Filter	After-Filter Element
TW41	AAP015CFNI	P015AA	AOP015CNFI	P015AO
TW56	AAP020DFNI	P020AA	AOP020DNFI	P020AO
TW76	AAP025DNFI	P025AA	AOP025DNMI	P025AO
TW101	AAP025ENFI	P025AA	AOP025ENMI	P025AO
TW131	AAP025ENFI	P025AA	AOP025ENMI	P025AO
TW201	AAP030GNFI	P030AA	AOP030GNMI	P030AO
TW251	AAP035GNFI	P035AA	AOP035GNMI	P035AO
TW301	AAP035GNFI	P035AA	AOP035GNMI	P035AO
TW401	AAP040HNFI	P040AA	AOP040HNMI	P040AO
TW501	AAP045INFI	P045AA	AOP045INMI	P045AO
TW601	AAP045INFI	P045AA	AOP045INMI	P045AO
TW801	AAP050INFI	P050AA	AOP050INMI	P050AO



For inventory, lead times, and kit lookup, visit www.pdnplu.com

Refrigeration

Disposable

Desiccant

Regenerative Desiccant

Heatless Desiccant

Dryers





Air Preparation Products
Airline Accessories

Drains	N2-N4
Lockout Valves	N5-N11
AirGuard Protection System	N12-N13
Mufflers	N14-N19

Drains

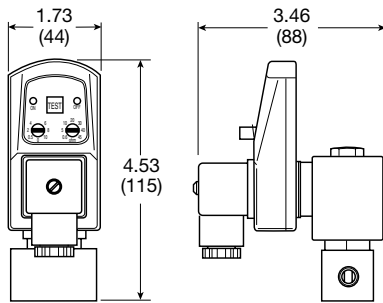
Automatic Electrical Drain Valve - WDV3-G

The WDV3 Electrical Drain is designed to remove condensate from compressors, compressed air dryers and receivers up to any size, type or manufacturer.



Benefits

- Does not air-lock during operation**
- Compressed air systems up to any size**
- The direct acting valve is serviceable**
- Suitable for all types of compressors**
- Test (micro-switch) feature**
- High time cycle accuracy**
- Large (4.5mm) valve orifice**



Operating information

Operating pressure:	230 psig (16 bar)
Ambient operating temperature:	34°F to 130°F (1.1°C to 54°C)
Voltages:	115VAC, 230/50-60Hz, 24VDC
Coil insulation:	Class H, 340°F (171.1°C)
Current rating:	4mA maximum
Timer –	
Open time	.5 to 10 sec., adjustable
Cycle time	.5 to 45 min., adjustable

Material specifications

Valve body	Brass / stainless steel
Enclosure (IP65 / NEMA 4)	ABS plastic
Internal parts	Brass / stainless steel
Valve seals	FPM (Fluorocarbon)

Automatic Electrical Drain Valve

Port Size	Primary Voltage	Weight (kg)	Model Number
1/4	120VAC	1.8 (0.8 kg)	WDV3-G12BL
1/4	230VAC	1.8 (0.8 kg)	WDV3-G22BL
3/8	120VAC	1.8 (0.8 kg)	WDV3-G13BL
3/8	230VAC	1.8 (0.8 kg)	WDV3-G23BL
1/2	120VAC	1.8 (0.8 kg)	WDV3-G14BL
1/2	230VAC	1.8 (0.8 kg)	WDV3-G24BL
1/2	24VDC	1.8 (0.8 kg)	WDV3-G34BL

Drains

Lockout Valves

AirGuard

Mufflers

Ball Valve / Plug Valves

Quick Cou-plings

Hose Products

Fittings

N

Air-line Accessories



For inventory, lead times, and kit lookup, visit www.pdnplu.com

ED Zero Air Loss Condensate Drains

Zero air loss condensate drains are designed for economical removal of unwanted water, oil emulsions, and other liquids. These drains will only open when liquid is present and will not allow any compressed air to escape from the system.



Operating information

Maximum pressure:	232 psig (16 bar)
Ambient operating temperature:	35°F to 140°F (1.6°C to 60°C)
Voltages optional – NPT	115/50-60Hz, standard
BSPP ports	230/50-60Hz & 24VDC

Zero Air Loss Condensate Drains

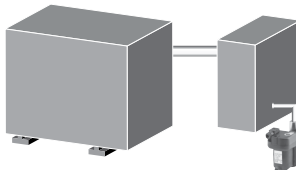


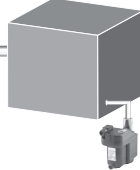
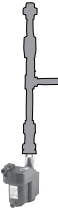
Port Size (NPT)	Compressor Aftercooler (scfm)*	Capacity Refrigeration Dryer (scfm)**	Filter (scfm)	Drain Capacity per Day (gal/liter)	Model Number	Service Kit
1 @ 3/8 (in), 1 @ 3/8 (out)	—	—	424	6 (22.7)	ED3002N115-K	SKED3000N115
1 @ 1/2 (in), 1 @ 3/8 (out)	141	282	1,413	13 (49.2)	ED3004N115-K	SKED3000N115
2 @ 1/2 (in), 1 @ 3/8 (out)	247	494	2,472	23 (87.1)	ED3007N115-K	SKED3000N115
2 @ 1/2 (in), 1 @ 3/8 (out)	1,059	2,119	10,594	100 (378.5)	ED3030N115-K	SKED3000N115
2 @ 1/2 (in), 1 @ 3/8 (out)	3,532	7,063	35,315	330 (1,249.2)	ED3100N115-K	SKED3000N115

* Based on 100 PSI working pressure, air compressor inlet at 77°F (25°C) at 60% RH, air discharge temperature of 95°F (35°C) following the aftercooler, pressure dewpoint of 37°F (2.8°C) after the refrigerated dryer.

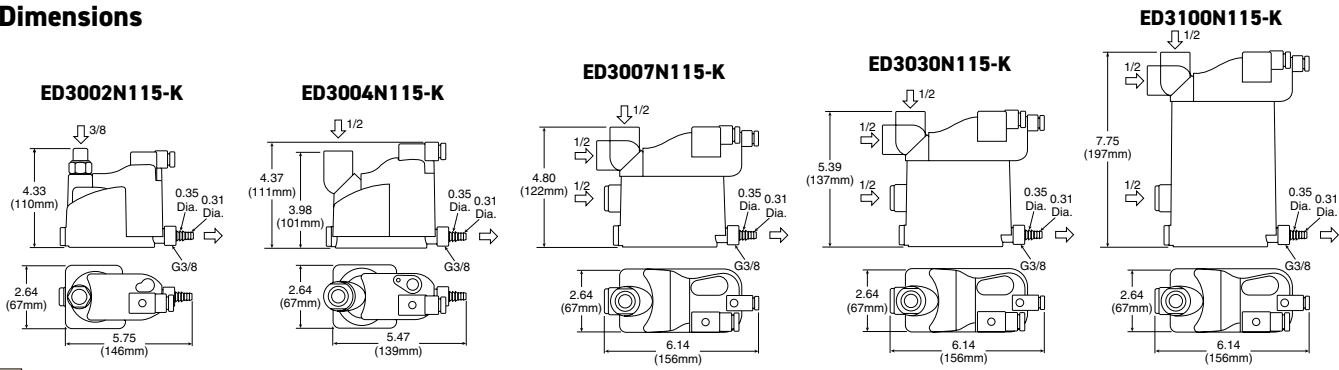
** Condensate from aftercooler or refrigerated dryer to be drained upstream – only for residual oil content or small quantities of condensate.


Note: A 6 ft. line cord will be included with each drain.

Where Are Condensate Drains Used?

				
Compressor with Aftercooler	Receiver Tank	Filter	Air Dryer	Drip Leg
Removes the condensate that is collected after the air cools in the aftercooler	Removes the condensate that is collected when the air cools inside of the receiver tank	Removes the condensate that is collected in the filter bowl	Removes the condensate that is collected in the air dryer	Point-of-use applications: removes the condensate from compressed air pipes in a plant

Dimensions



 Most popular.



For inventory, lead times, and kit lookup, visit www.pdnplu.com

Drain Cocks

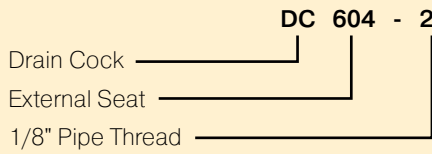
Air Preparation Products Accessories

Drain cocks are manufactured in external seats. Hand tightening provides a metal - to - metal seal.



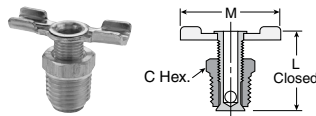
Drain Cock Nomenclature

Example:



Operating information

Operating pressure: 150 psig (150 bar)
 Temperature ranges:
 Internal seal: -65°F to 250°F (-53.9°C to 12.1°C)
 External seal: -25°F to 250°F (-31.7°C to 12.1°C)
 Operating fluid: Air, water, gas and certain other fluids
 Note: Lubricant may not be compatible with some fluids, contact factory for special fluid requirements.



External Seal - Drain Cock DC604

Temperature Range: -25° to 250°F

Part Number	Pipe Thread	C Hex	L	M
DC604-2*	1/8	7/16	.85	1.25
DC604-4	1/4	9/16	1.00	1.38
DC604-6*	3/8	11/16	1.22	1.68

*When assembled handle wings are down facing

- Drains
- Lockout Valves
- AirGuard
- Mufflers
- Ball Valve / Plug Valves
- Quick Couplings
- Hose Products
- Fittings
- N
- Air-line Accessories



For inventory, lead times, and kit lookup, visit www.pdnplu.com

LV / LVSS Series

Lockout valves are installed in pneumatic drop legs, or individual pneumatic control lines. In accordance with OSHA procedures, lockout valves are used during maintenance and service procedures of pneumatically (air) operated equipment.

- Used for compliance with OSHA 29 CFR part 1910
- 1/4" to 2" pipe sizes. NPT or BSPP
- Yellow cast aluminum body with red handle or stainless steel (NACE MR0175 / ISO 15156)
- Inline or surface mountable
- Built in port for pressure verification to meet ANSI B11 and PMMI B155 requirements
- Fluorocarbon slipper seals for easy shifting, even after long periods of inactivity



Material specifications

Description	LV	LVSS
Body:	Cast aluminum alloy	Stainless steel
Handle:	Plastic	Stainless steel
Spool:	Aluminum	Stainless steel
Seals:	Carboxylated nitrile	Fluorocarbon
Detent spring:	Stainless steel	Stainless steel
Grease:	Magnalube G [†]	Magnalube G [†]

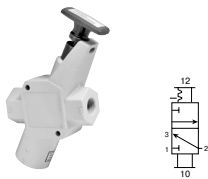
[†] Trademark Magnalube

Compact



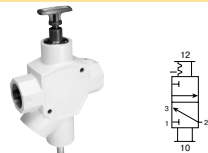
Port in/out	Port Exhaust	SCFM in/out	SCFM Exhaust	Wt (lb)	Part Number *
1/4	3/8	41.8	40.7	0.9	LV2N3B
3/8	3/8	60.7	60.7	0.9	LV3N3B

Standard



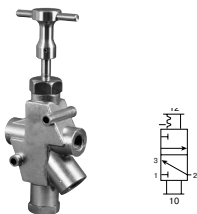
Port in/out	Port Exhaust	SCFM in/out	SCFM Exhaust	Wt (lb)	Part Number *
3/8	3/4	107.7	81.1	2.0	LV3N6B
1/2	3/4	161.4	90.9	2.0	LV4N6B
3/4	3/4	187.7	93.2	2.0	LV6N6B
3/4	1-1/4	297.7	204	3.2	LV6NAB
1	1-1/4	375	216	3.2	LV8NAB
1-1/4	1-1/4	436.4	221	3.2	LVANAB

High Flow



Port in/out	Port Exhaust	SCFM in/out	SCFM Exhaust	Wt (lb)	Part Number *
1-1/2	2	761.4	1156	8.2	LVBNCB
2	2	918.2	1186	8.2	LVCNCB

Stainless Steel



Port in/out	Port Exhaust	SCFM in/out	SCFM Exhaust	Wt (lb)	Part Number *
1/4	1/4	48.6	47.2	3.8	LV2N2BSS
3/8	1/2	131.6	142	6.0	LV3N4BSS
1/2	1/2	131.6	142	6.0	LV4N4BSS
3/4	1	325	386	13	LV6N8BSS
1	1	325	386	13	LV8N8BSS
1-1/2	2	889	1023	35	LVBNCBSS
2	2	889	1023	35	LVCNCBSS

NOTE: Exhaust flow rates calculated using inlet pressure 100 psig (6.7 bar), pressure drop 5 psi (0.34 bar), air temp 68°F (20°C), and 36% relative humidity.

* For BSPP ports, change 4th digit from "N" to "B"

Most popular.

Operating information

Operating pressure:	LV	LVSS
Compact	15 to 145 PSIG	–
Standard	15 to 300 PSIG	15 to 300 PSIG
High flow	15 to 300 PSIG	–
Operating temperature:	40°F to 175°F	30°F to 175°F
Operating media:	Clean, dry, compressed air (5 micron)	



For inventory, lead times, and kit lookup, visit www.pdnplu.com

Drains
 Lockout Valves
 AirGuard
 Mufflers
 Ball Valve / Plug Valves
 Quick Couplings
 Hose Products
 Fittings
 Air-line Accessories

EZ Series

The EZ series meets all the same standards as the LV series with the added feature of a soft start when opened. There are still 2 detented positions for the handle (push close, pull to open), but when pulled open, an adjustable needle valve controls the rate of pressure build-up. This can protect equipment during start up after maintenance. The EZ is distinguishable from the LV series by the blue dot on the label.

Features

- Combines lockout and soft-start functions in a single unit
- Used in systems for compliance with OSHA standard 29 CFR part 1910
- 3/8 Inch to 1-1/4 inch pipe sizes
- Cv's from 3.7 to 13.7
- 3/4 and 1-1/4 inch: exhaust ports available
- Exhaust port threaded for installation of silencer or line for remote exhausting
- Inline or surface mountable
- Yellow cast aluminum body with red handle. Blue dot on body indicates EZ Series valve
- Fluorocarbon slipper seals for easy shifting, even after long periods of inactivity



3/4" Exhaust Shown

Operating information

Operating pressure:	Standard	15 to 300 PSIG
Operating temperature:		40°F to 175°F
Operating media:	Clean, dry, compressed air (5 micron)	

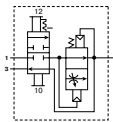
Material specifications

Description

Body:	Cast aluminum alloy
Handle:	Plastic
Spool:	Aluminum
Seals:	Carboxylated nitrile
Detent spring:	Stainless steel
Grease:	Magnalube G [†]

[†] Trademark Magnalube

EZ Series



Port in/out	Port Exhaust	SCFM in/out	SCFM Exhaust	Wt (lb)	Part Number *
3/8	3/4	136.4	181	2.1	EZ03NB6
1/2	3/4	161.4	189	2.1	EZ04NB6
3/4	3/4	181.9	216	2.1	EZ06NB6
3/4	1-1/4	272.7	248	3.2	EZ06NBA
1	1-1/4	311.4	273	3.2	EZ08NBA
1-1/4	1-1/4	368.2	291	3.2	EZ0ANBA

NOTE: Exhaust flow rates calculated using inlet pressure 100 psig (6.7 bar), pressure drop 5 psi (0.34 bar), air temp 68°F (20°C), and 36% relative humidity.

* For BSPP ports, change 5th digit from "N" to "B"

Most popular.



For inventory, lead times, and kit lookup, visit www.pdnplu.com

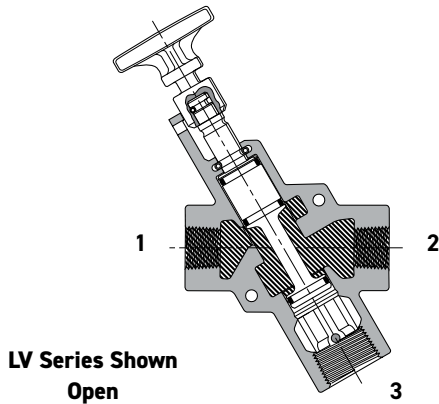
Applications

Lockout valves are installed in pneumatic drop legs, or individual pneumatic control lines (see Figure 1). In accordance with OSHA procedures, EZ valves are used during maintenance and service procedures of pneumatically (air) operated equipment. Prior to servicing, the red handle is pressed inward, blocking pressure and relieving all downstream air pressure. A padlock is installed through the locking hasp, preventing accidental actuation during the maintenance procedure. Following maintenance, the padlock is removed and the red handle is pulled outward, gradually returning air pressure to the system. (For complete Lockout / Tagout procedures, consult OSHA Standard 29 CFR Part 1910 in U.S. Federal Register/Vol. 54 No. 169, Friday, September 1, 1989 / Page 36644.)

LV / LVSS Operation

Normal Machine Operation – Valve Open

With the handle pulled outward. Inlet Port 1 is open to outlet Port 2. Exhaust Port 3 is blocked.



Air Preparation Products Accessories

Mounting

Valves can be inline mounted or surface mounted using the two mounting holes provided in the valve body. Mount valves in plain view with the handle oriented for accessibility.

Placement of Lockout Device

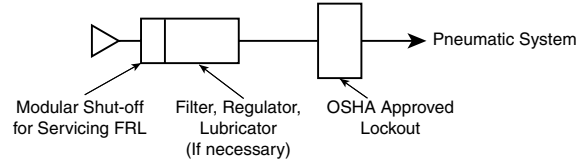
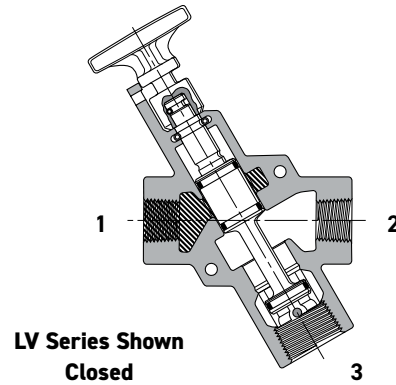


Figure 1.

Lockout Operation – Valve Closed

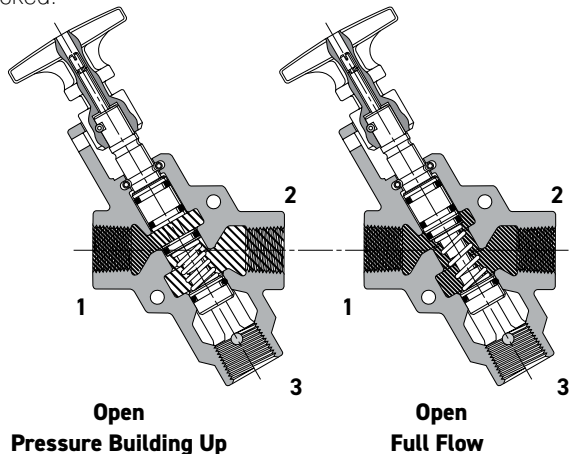
With the handle pushed inward. Inlet Port 1 is blocked. Outlet Port 2 is open to Exhaust Port 3.



EZ Operation

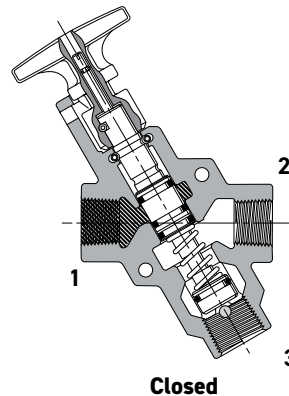
Normal Machine Operation – Valve Open

When the red handle is pulled outward, the adjustable needle valve (accessed through the top of the handle) setting determines the rate of pressure buildup. When downstream pressure reaches the full flow described in the specifications below, Inlet Port 1 is open to outlet Port 2. Exhaust Port 3 is blocked.



Lockout Operation – Valve Closed

When the red handle is pushed inward, the Inlet Port 1 is blocked. Downstream air is exhausted through Exhaust Port 3.



For inventory, lead times, and kit lookup, visit www.pdnplu.com

Drains
Lockout Valves
AirGuard
Mufflers
Ball Valve / Plug Valves
Quick Couplings
Hose Products
Fittings
N
Airline Accessories

Drains
 Lockout Valves
 AirGuard
 Mufflers
 Ball Valve / Plug Valves
 Quick Couplings
 Hose Products
 Fittings
N
 Air-line Accessories

Corrosion resistant mufflers for harsh environments



Port Size	Construction	Threads	Dimensions In. (Mm)		Part Number
			Width	Length	
1/4	Stainless steel	Male, NPT	0.56 (14.2)	1.75 (44.5)	5500A2004
1/2	Stainless steel	Male, NPT	0.87 (22.1)	2.75 (69.7)	5500A4004
1	Stainless steel	Male, NPT	1.31 (33.3)	3.87 (98.3)	5500B6004
2	Nickel plated	Male, NPT	2.37 (60.2)	5.50 (139.7)	5500A9004*

* Nickel plated

High Flow Silencers



Part Number *	ES25MC	ES37MC	ES50MC	ES75MC	ES100MC	ES125MC	ES150MC	ES200MC
Pipe size	1/4	3/8	1/2	3/4	1	1-1/4	1-1/2	2
Flow (scfm)	129	219	549	893	1013	1486	1580	1580
Hex In. (mm)	0.63 (16)	1.00 (25)	1.00 (25)	1.62 (41)	1.62 (41)	—	—	2.99 (76)
Length In. (mm)	1.85 (47)	3.31 (84)	3.31 (84)	4.56 (116)	4.56 (116)	5.69 (145)	5.69 (145)	7.68 (195)

* NPT ports standard, for BSPT ports, add a "B" after the "S"

Pop-up Pressure Indicator



Brass – Part # **988A30** – Can be used on all LV or EZ series to provide visual verification of line exhaust

Stainless – Part# **1155H30** – Can be used on SS LV series to provide visual verification of line exhaust

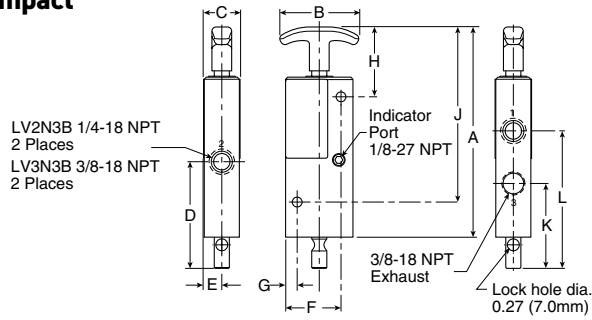
Pressure Switch



- Part # **PPS1-2C3-RHM** (DIN 9.4mm connector)
- Part # **PPS1-2C3-RWL** (18" leads)
- Signal verification of line exhaust
- Field adjustable set point

LZ Series, Exhaust Port - Compact, Standard, High Flow

Compact



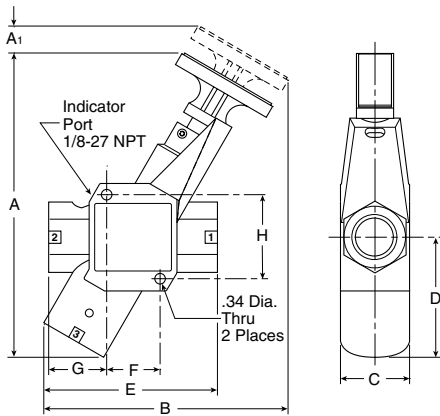
Compact LV Series, 3/8" Exhaust Port Dimensions

A	B	C	D	E	F
6.50 (165)	2.25 (57)	1.05 (27)	3.04 (77)	.51 (13)	1.58 (40)

G	H	J	K	L
.33 (8)	1.99 (51)	4.99 (127)	2.42 (62)	3.92 (100)

Inches (mm)

Standard



Compact LV Series, 3/4" Exhaust Port Dimensions

A	A ₁	B	C	D	E
8.32 (211)	0.64 (16)	6.60 (168)	2.00 (51)	3.06 (78)	4.24 (108)

F	G	H
1.32 (111)	1.56 (40)	2.21 (56)

Inches (mm)

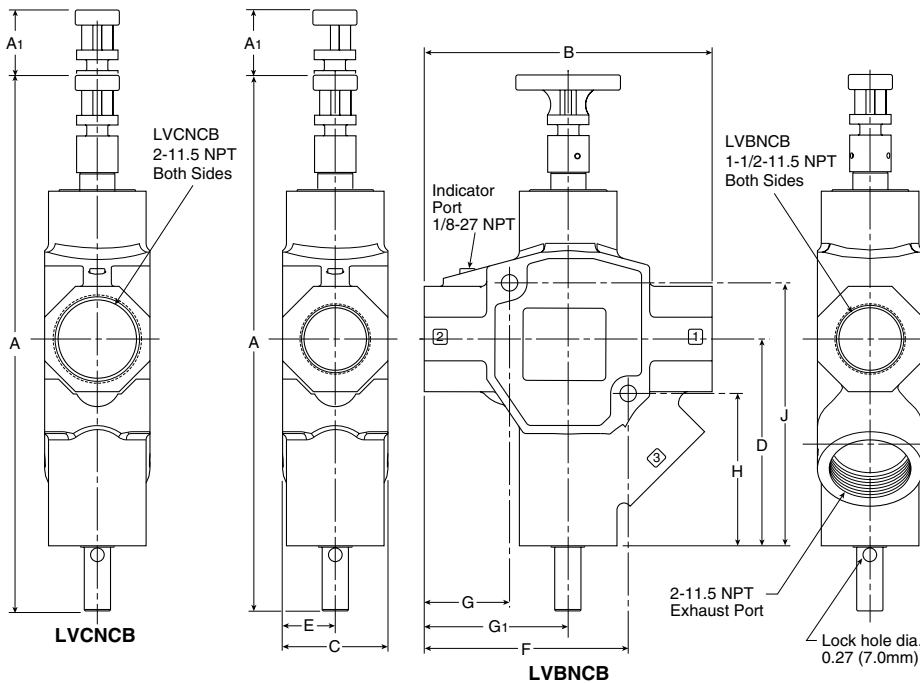
Compact LV Series, 1-1/4" Exhaust Port Dimensions

A	A ₁	B	C	D	E
9.91 (252)	0.85 (22)	7.95 (202)	2.25 (57)	3.91 (99)	5.65 (144)

F	G	H
1.74 (44)	1.89 (48)	2.74 (70)

Inches (mm)

High Flow



**High Flow LV Series,
 2" Exhaust Port Dimensions**

A	A ₁	B
14.82 (376)	1.87 (47)	8.20 (208)

C	D	E
3.00 (76)	5.89 (150)	1.50 (38)

F	G	G ₁
5.81 (148)	2.43 (62)	4.10 (104)

H	J
4.34 (110)	7.49 (190)

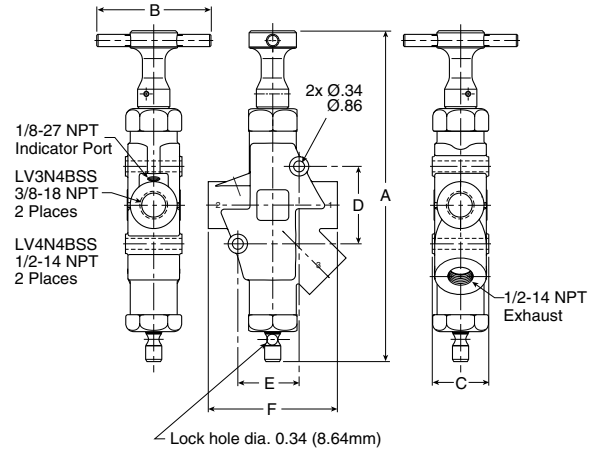
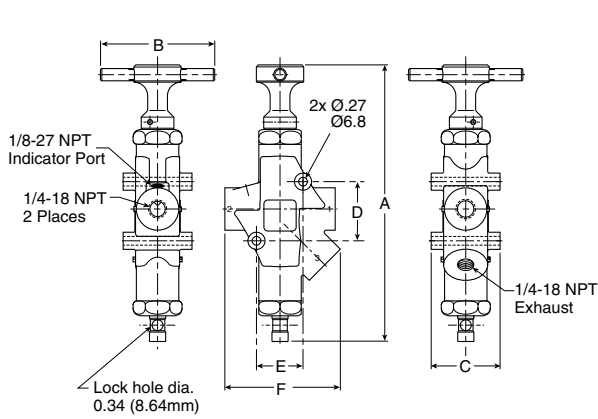
Inches (mm)



For inventory, lead times, and kit lookup, visit www.pdnplu.com

LZ Series, Exhaust Port - Compact, Standard, High Flow

Stainless Steel



Stainless Steel LV Series, 1/4" Exhaust Port Dimensions

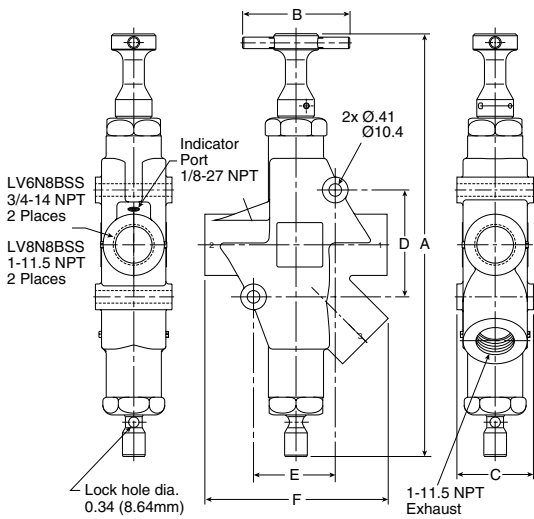
A	B	C	D	E	F
8.47	3.50	2.11	1.81	1.43	3.54
(215)	(89)	(54)	(46)	(36)	(90)

Inches (mm)

Stainless Steel LV Series, 1/2" Exhaust Port Dimensions

A	B	C	D	E	F
10.24	3.50	1.75	2.40	1.90	4.00
(260)	(89)	(45)	(61)	(48)	(102)

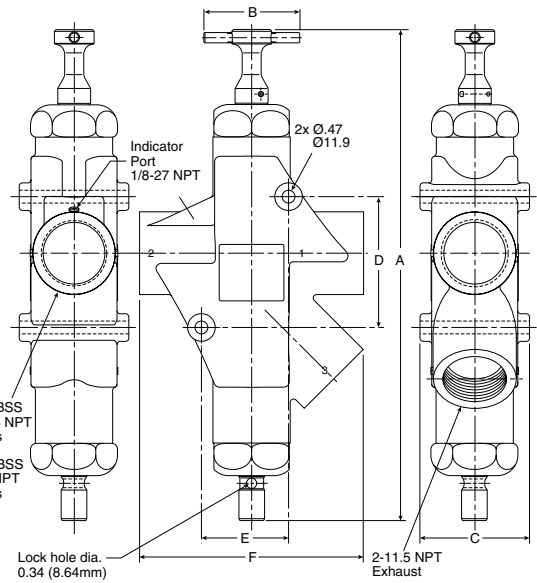
Inches (mm)



Stainless Steel LV Series, 1" Exhaust Port Dimensions

A	B	C	D	E	F
13.80	3.50	2.50	3.49	2.67	5.99
(351)	(89)	(64)	(89)	(68)	(152)

Inches (mm)



Stainless Steel LV Series, 2" Exhaust Port Dimensions

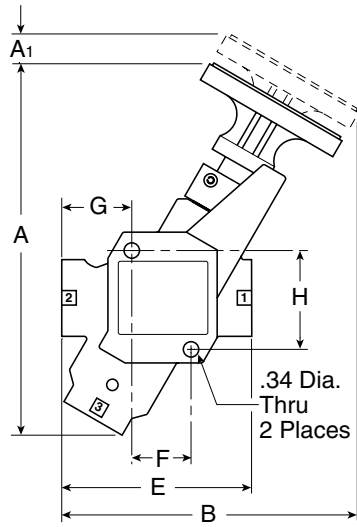
A	B	C	D	E	F
17.92	3.50	4.00	4.77	3.18	8.16
(455)	(89)	(102)	(121)	(81)	(207)

Inches (mm)



For inventory, lead times, and kit lookup, visit www.pdnplu.com

EZ Series, Exhaust Port - Standard Flow



EZ 3/4" Exhaust Port Dimensions

A	A1	B	C	D
8.32 (211)	0.64 (16)	6.60 (168)	2.00 (51)	3.06 (78)

E	F	G	H
4.24 (108)	1.32 (111)	1.56 (40)	2.21 (56)

Inches (mm)

EZ 1-1/4" Exhaust Port Dimensions

A	A1	B	C	D
9.91 (252)	0.85 (22)	7.95 (202)	2.25 (57)	3.91 (99)

E	F	G	H
5.65 (144)	1.74 (44)	1.89 (48)	2.74 (70)

Inches (mm)

Drains

Lockout
Valves

AirGuard

Mufflers

Ball Valve /
Plug Valves

Quick Cou-
plings

Hose
Products

Fittings

N

Airline Accessories



For inventory, lead times, and kit
 lookup, visit www.pdnplu.com

N11

Parker Hannifin Corporation
 Pneumatic Division
 Richland, Michigan
www.parker.com/pneumatics

AirGuard Protection System



Product Features:

- **Maintenance Friendly**
Repair possible while plant is still operating
- **Economic**
Competitive pricing
- **Complies with EU Standard**
EN 983 - § 5.3.4.3.2
- **Reliable and Tamperproof**
No adjustment necessary
- **Complies with ISO Standard**
4414 - § 5.4.5.11.1
- **Complies with MSHA Regulation**
30CFR 56.13021, 57.13021 and 57.1730
- **Lightweight**
Compact size
- Compatible with all Pneumatic Systems
- Can be used as a Flow Blocker
- **TUV Approval**
No. 01-02-0145
- **EU Registered Utility**
Model No. 0025 73 525
- **Complies with OSHA Regulation Standard**
29CFR 1926.302 (Partial)

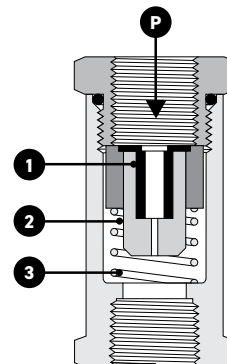
Protect your most important assets: your employees and their equipment!

The AirGuard offers simple but efficient protection of a broken compressed-air hose. The air supply is immediately shut off by the AirGuard, should the volume of air exceed a set value. This "value" is factory preset and is set to allow normal air consumption when using air tools.

Should the air consumption exceeds the set value, e.g. the air line is severed, then the internal piston instantly shuts off the main flow. An integral bleed hole allows some air to flow through. This enables the line pressure to automatically reset the AirGuard once the main line break is repaired.

Function:

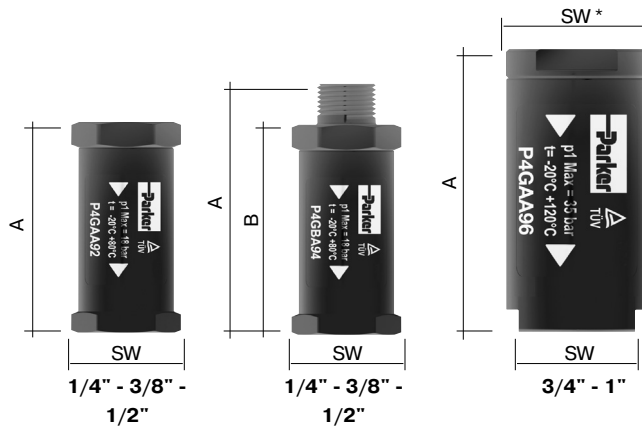
(P) is the inlet. Air passes the piston (1) and continues through the seat (3). The air flow, passing the piston, is slowed down by means of length wise grooves on the outer side of the piston. If the flow is too high, the air cannot pass the piston quickly enough, and the piston is forced against the spring (2) and towards the seat. The maximum flow is shown in the graph. If the value indicated is exceeded e.g. if the hose suddenly breaks - the air supply is automatically shut of. An integral bleed hole allows some air to flow through. This enables the line pressure to automatically reset the AirGuard once the main line break is repaired.



Drains
Lockout Valves
AirGuard
Mufflers
Ball Valve / Plug Valves
Quick Couplings
Hose Products
Fittings
N
Air-line Accessories



For inventory, lead times, and kit lookup, visit www.pdnplu.com

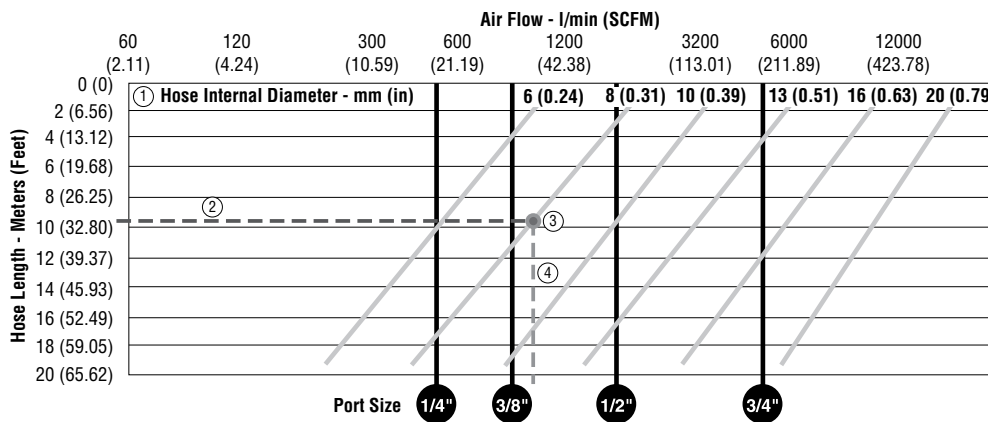


Weight and Dimensions metric (imperial)

Thread Connection	Dimensions inch (mm)			Weight oz. (g)	Max. Inlet Pressure	Temp. Range	Material	P1 Inlet Thread	P2 Outlet Thread	Part Number NPT
	A	B	SW							
1/4"	1.89 (48)	-	.87 (22)	1.06 (30)	255 psig (18 bar)	-4°F to 176°F (-20°C to 80°C)	Housing: Aluminum Piston: Polyacetal	Female	Female	P4GAA92
1/4"	2.28 (58)	49 (1.93)	.87 (22)	1.27 (36)				Male	Female	P4GBA92
3/8"	2.32 (59)	-	1.10 (28)	2.05 (58)				Female	Female	P4GAA93
3/8"	2.80 (71)	59 (2.32)	1.10 (28)	2.19 (62)				Male	Female	P4GBA93
1/2"	2.56 (65)	-	1.22 (31)	2.75 (78)				Female	Female	P4GAA94
1/2"	3.15 (80)	65 (2.56)	1.22 (31)	3.00 (85)				Male	Female	P4GBA94
3/4"	2.99 (76)	-	1.18/1.42* (30/36*)	3.77 (107)	500 psig (35 bar)	-4°F to 248°F (-20°C to 120°C)	Housing: Aluminum Piston: Aluminum	Female	Female	P4GAA96
1"	3.94 (100)	-	1.61/1.97* (41/50*)	10.58 (300)				Female	Female	P4GAA98

How to Select the Optimal Size of an AirGuard

Information based on an inlet pressure of 7 bar (100 psig)



- Determine the internal diameter of the hose, tube or pipe being used (1) (see specification Hose-internal Diameter, diagonal line).
- Determine the length of the hose, tube or pipe (2) (Hose length in meters).
- Define the intersection of point a and b, and mark a vertical line downwards (3) (4) In the example chart (dot 3) and the dashed line (4).
- The next vertical black line, left of the intersection line (4) tells the correct AirGuard size (in inches).
- Important: Every flow value to the right of the respective vertical line (black) would activate the AirGuard in case of a bursting hose, pipe or tube. All AirGuard sizes right of the intersection line (4) are too big and will not close up.
- Example:** Which air fuse should be used for a hose, pipe or tube bearing 8 mm inner diameter and 10 meters of length - follow the 10 meter line (2) to the intersection point (dot 3). Now the next left black line marks the correct size.
- Result:** The correct size in our example is the AirGuard 3/8"



For inventory, lead times, and kit lookup, visit www.pdnplu.com

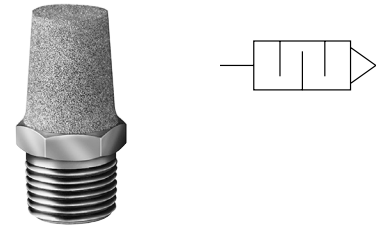
Drains
Lockout Valves
AirGuard
Mufflers
Ball Valve / Plug Valves
Quick Couplings
Hose Products
Fittings
Airline Accessories



- Drains
- Lockout Valves
- AirGuard
- Mufflers
- Ball Valve / Plug Valves
- Quick Couplings
- Hose Products
- Fittings
- N**
- Air-line Accessories

EM Series - Sintered Bronze Muffler / Filters

Muffler / filters effectively reduce air exhaust noises to an industry accepted level with minimum flow restriction. They protect valves, impact wrenches, screw drivers and other air tools by preventing dirt and other foreign matter from entering the system. Non-corrosive. Can be cleaned with many common solvents.



EM Series

Pipe Thread	Overall Length	Hex Size	Part Number
M5	.75	5/16"	EMM5
1/8"	1.00	7/16"	EM12
1/4"	1.32	9/16"	EM25
3/8"	1.54	11/16"	EM37
1/2"	1.85	7/8"	EM50
3/4"	2.29	1-1/16"	EM75
1"	2.91	1-5/16"	EM100
1-1/4"	3.25	1-11/16"	EM125
1-1/2"	3.69	2"	EM150

Operating information

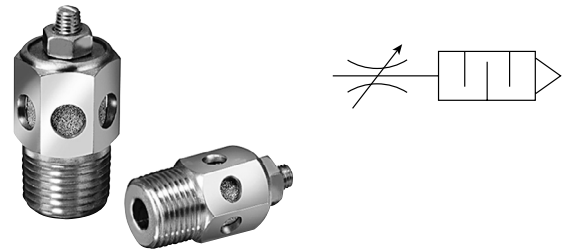
Operating pressure: 250 psig (Air)
Cracking pressure 1 to 2 psig

Operating temperature:* 0°F to 300°F

* Ambient temperatures below freezing require moisture-free air. Ambient temperatures below freezing and above 180° require lubricants especially selected for suitability at these temperatures. Pneumatic valves should be used with filtered and lubricated air.

Muffler / Flow Controls

Muffler / flow controls provide an acceptable exhaust noise level and effectively meter exhaust. Installed in valve exhaust ports, they control cylinder piston speeds throughout a wide range. The adjusting screw cannot be accidentally blown out, can be locked to maintain setting. Brass and bronze construction. Clean with commonly used solvents.



Operating information

Operating pressure: 250 psig (Air)
Cracking pressure 1 to 2 psig

Operating temperature:* 0°F to 300°F

* Ambient temperatures below freezing require moisture-free air. Ambient temperatures below freezing and above 180° require lubricants especially selected for suitability at these temperatures. Pneumatic valves should be used with filtered and lubricated air.

Muffler / Flow Controls

Pipe Thread	Overall Length	Hex Size	Part Number
1/8"	1.15	9/16"	045020002
1/4"	1.42	1/2"	045040004
3/8"	1.49	11/16"	045060060
1/2"	1.77	7/8"	045080080
3/4"	1.98	1-1/16"	045120012
1"	2.15	1-5/16"	045160016

Most popular.



For inventory, lead times, and kit lookup, visit www.pdnplu.com

Breather Vents

These low silhouette versions of the muffler / filter are useful where space is a problem and / or to prevent contamination. Use for vacuum relief or pressure equalization in gear boxes, oil tanks, reservoirs, etc.



Breather Vent

Pipe Thread	Overall Length	Hex Size	Part Number
1/8"	0.44	7/16"	047020002
1/4"	0.63	9/16"	047040004
3/8"	0.75	11/16"	047060006
1/2"	0.88	7/8"	047080008
3/4"	1.00	1-1/8"	047120012
1"	1.31	1-5/16"	047160016
1-1/4"	1.41	1-11/16"	047200020
1-1/2"	1.50	2"	047240024

NOTE: Breather vents should not be used as exhaust mufflers.

Operating information

Operating pressure: 150 psig (Air) max.

Operating temperature:* 0°F to 300°F

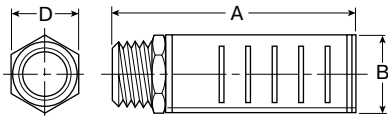
Material:

Breather vent: Sintered bronze,
Housing: Zinc plated steel

* Ambient temperatures below freezing require moisture-free air. Ambient temperatures below freezing and above 180° require lubricants especially selected for suitability at these temperatures. Pneumatic valves should be used with filtered and lubricated air.

ES Series - Silencer

The silencer is designed to give superior performance in noise control with a minimum effect on air efficiency. "Trimline" design allows tight location in the tightest places without extra plumbing and fittings. Fits directly into the exhaust port of more than 90% of present commercial valves. Slotted body permits rapid discharge of air without undesirable back pressure. Unique nylon screen element resists dirt buildup or clogging.



Operating information

Operating pressure: 250 psig (Air) max.

Operating temperature:* 0°F to 300°F

* Ambient temperatures below freezing require moisture-free air. Ambient temperatures below freezing and above 180° require lubricants especially selected for suitability at these temperatures. Pneumatic valves should be used with filtered and lubricated air.

ES Series - Silencer

Pipe Thread	Flow scfm @ 100 psig inlet	Dimensions			Part Numbers	
		A	B	D	NPTF	BSPT (R)
1/8"	115	1.85	0.81	0.63	ES12MC	ESB12MC
1/4"	129	1.85	0.81	0.63	ES25MC	ESB25MC
3/8"	219	3.31	1.26	1.00	ES37MC	ESB37MC
1/2"	549	3.31	1.26	1.00	ES50MC	ESB50MC
3/4"	893	4.56	2.01	1.62	ES75MC	ESB75MC
1"	1,013	4.56	2.01	1.62	ES100MC	ESB100MC
1-1/4"	1,486	5.69	2.88	—	ES125MC	ESB125MC
1-1/2"	1,580	5.69	2.88	—	ES150MC	ESB150MC

Most popular.

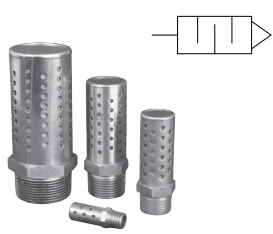


For inventory, lead times, and kit lookup, visit www.pdnplu.com

Stainless Steel Mufflers

Stainless Steel Mufflers

Corrosion resistant mufflers for harsh environments



Port Size	Construction	Threads	Dimensions In. (mm)		Part Number
			Width	Length	
1/4	Stainless steel	Male, NPT	0.56 (14.2)	1.75 (44.5)	5500A2004
1/2	Stainless steel	Male, NPT	0.87 (22.1)	2.75 (69.7)	5500A4004
1	Stainless steel	Male, NPT	1.31 (33.3)	3.87 (98.3)	5500A6004
2	Nickel plated	Male, NPT	2.37 (60.2)	5.50 (139.7)	5500A9004*

* Nickel plated

- Drains
- Lockout Valves
- AirGuard
- Mufflers
- Ball Valve / Plug Valves
- Quick Couplings
- Hose Products
- Fittings
- N**
- Air-line Accessories



For inventory, lead times, and kit lookup, visit www.pdnplu.com

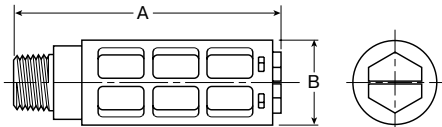
ASN Air Line Silencer, Plastic

- Compact
- Lightweight
- Easy to Install
- Excellent Noise Reduction
- Protects Components from Contamination
- NPT and BSPT Threads Available

The plastic silencer is designed to give excellent noise reduction with a minimum effect on air efficiency. The "Trimline" design allows for locating the silencer in the tightest places without extra plumbing or fittings. Fits directly into the exhaust port of most commercial valves. Open surface area of element allows for rapid discharge of air without undesirable back pressure.



Operating information	
Operating pressure:	0 to 150 psig (0 to 10 bar, 0 to 1034 kPa)
Operating temperature:	14°F to 140°F (-10°C to 60°C)



Material Specifications

Body	Acetal (Plastic)
Element	Polyethylene

ASN Air Line Silencer, Plastic

Thread Size	A (mm)	B (mm)	Maximum Flow (scfm) 100 psig inlet	Sound Pressure Level (dBA)		Part Number	
				20 psig inlet	100 psig inlet	NPT	BSPT
M5	0.43 (11)	0.32 (8)	15	69	79	AS-5	
1/8"	1.57 (40)	0.63 (16)	51	69	81	ASN-6	AS-6
1/4"	2.56 (65)	0.83 (21)	124	67	84	ASN-8	AS-8
3/8"	3.35 (85)	0.98 (25)	247	83	98	ASN-10	AS-10
1/2"	3.74 (95)	1.18 (30)	370	69	96	ASN-15	AS-15

Most popular.



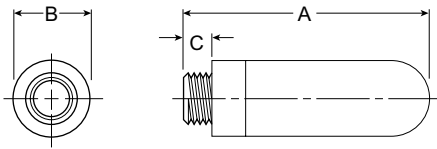
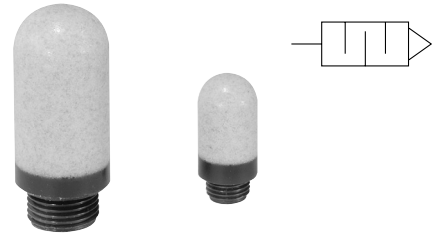
For inventory, lead times, and kit lookup, visit www.pdnplu.com

Drains
Lockout Valves
AirGuard
Mufflers
Ball Valve / Plug Valves
Quick Couplings
Hose Products
Fittings
N
Airline Accessories

P6M G Thread Air Line Silencer, Plastic

- All Plastic Ultra Light Weight Versions
- High Noise Level Reduction
- Low Back Pressure Generation

The plastic silencer is designed to give excellent noise reduction with a minimum effect on air efficiency. The "Trimline" design allows for locating the silencer in the tightest places without extra plumbing or fittings. Fits directly into the exhaust port of most commercial valves. Open surface area of element allows for rapid discharge of air without undesirable back pressure.



Operating information

Operating pressure:	0 to 246 psig (0 to 17 bar, 0 to 1700 kPa)
Operating temperature:	Plastic: 14°F to 176°F (-10°C to 80°C) Metal: 14°F to 165°F (-10°C to 74°C)
Efficiency	92%

P6M G Thread, Air Line Silencer, Plastic

Port Thread	A	Diameter B	C	Weight (grams)	Part Number
M5	0.91 (23)	0.26 (6,5)	0.16 (4)	0.01	P6M-PAC5
G1/8	1.14 (29)	0.55 (14)	0.24 (6)	0.02	P6M-PAB1
G1/4	1.34 (34)	0.67 (17)	0.24 (6)	0.04	P6M-PAB2
G3/8	2.36 (60)	0.98 (25)	0.35 (9)	0.06	P6M-PAB3
G1/2	2.52 (64)	0.98 (25)	0.43 (11)	0.10	P6M-PAB4
G3/4	5.51 (140)	1.50 (38)	0.55 (14)	0.50	P6M-PAB6
G1	6.30 (160)	1.89 (48)	0.79 (20)	0.62	P6M-PAB8

Most popular.



For inventory, lead times, and kit lookup, visit www.pdnplu.com

Drains

Lockout Valves

AirGuard

Mufflers

Ball Valve / Plug Valves

Quick Cou-plings

Hose Products

Fittings

N

Air-line Accessories

Drains
Lockout Valves
AirGuard
Mufflers
Ball Valve / Plug Valves
Quick Couplings
Hose Products
Fittings
Airline Accessories

ECS Reclassifier, Air Line Muffler

The ECS (Muffler-Reclassifier) eliminates unwanted oil mist and reduces exhaust noise from pneumatic valves, cylinders and air motors.

- 99.97% Oil Removal Efficiencies
- 25 dBA Noise Attenuation
- 1/2" NPT and 1" NPT
- Disposable Units
- Continuous or Plugged Drain Option
- Metal Retained Construction
- Fast Exhaust Time

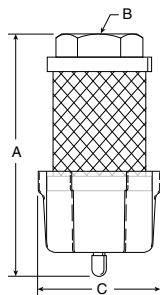
Improve Overall Plant Environment

Exhaust oil mist and noise pollution have a direct impact on worker productivity.

Oil aerosol mist from lubricators and compressors is pervasive and enters the industrial plant environment through the exhaust ports of valves, cylinders and air motors. This rapidly expanding exhaust also produces sudden and excessive noise.

The ECS (Muffler-Reclassifier) is 99.97% efficient at removing the oil aerosols. The ECS also acts as a silencer to lower the dBA levels below O.S.H.A. requirements.

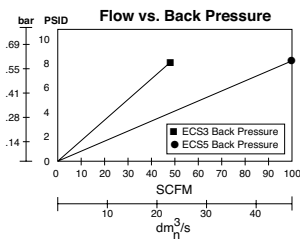
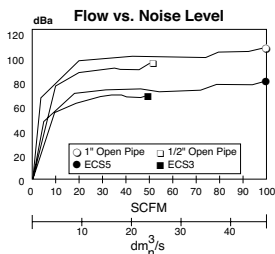
The result is a cleaner, quieter environment which equates to greater work productivity and safety.



ECS Reclassifier, Air Line Muffler

Thread Size	A	B	C	Part Number
1/2	5.30 (135mm)	1/2" NPT	2.57 (65mm)	ECS3
1	7.30 (185mm)	1" NPT	2.57 (65mm)	ECS5

Performance Characteristics



Most popular.



Operating information

Maximum line pressure:	100 psig (6.8 bar)
Maximum operating temperature:	125°F (52°C)

Operation

Compressor oils and lubricating oils are exhausted from valves, cylinders and air motors into the ECS. Oil aerosols are “coalesced” into larger droplets and gravity pulls them into the attached drain sump. The sump can then be drained manually or by using a 1/4" ID plastic tube drain. The air flowing into the ECS is also muffled or silenced as it enters the inside of the ECS and passes through the filter media into the atmosphere.

Proven Technology

The ECS units are constructed from the same materials that go into our oil removal coalescing filter elements.

The seamless design insures media uniformity and strength. This proven technology provides high coalescing efficiency with low pressure drop.

The filter media is supported by cylindrical perforated steel retainers both inside and out. These retainers, fully plated for excellent corrosion resistance, give the ECS units high rupture strength in either flow direction. These filters can also be used as high efficiency inlet or bypass filters for vacuum pumps, or breather elements to protect the air above critical process liquids.

ECS3 / ECS5

The ECS solves two problems inherent in compressed air exhaust from valves, cylinders and air motors - oil mist removal and noise abatement.

The ECS will improve your industrial plant environment, thereby improving worker productivity.



For inventory, lead times, and kit lookup, visit www.pdnplu.com

Drain
Lockout Valves
AirGuard
Mufflers
Ball Valve / Plug Valves
Quick Couplings
Hose Products
Fittings
N
Air-line Accessories



For inventory, lead times, and kit lookup, visit www.pdnplu.com

N20

Parker Hannifin Corporation
Pneumatic Division
Richland, Michigan
www.parker.com/pneumatics

**Part Number Index,
Safety Guide, Offer of Sale**

Part Number Index	O2-O13
Safety Guide	O14-O15
Offer of Sale	O16



For inventory, lead times, and kit lookup, visit www.pdnplu.com

Model No.	Section / Page No.	Model No.	Section / Page No.	Model No.	Section / Page No.
02F1BA.....	J2	06E28A13AC.....	E28	06L22BE.....	E41
02FA06A.....	J8	06E32A13AC.....	E28	06L24BE.....	E41
02FA10A.....	J8	06E32A18AC.....	E28	06L32BE.....	E41
02FA22A.....	J8	06E32B13AC.....	E28	06L32BE1.....	E41
02L1B.....	J38	06E32B18AC.....	E28	06L34BE.....	E41
02L2B.....	J38	06E34A13AC.....	E28	06R113AC.....	E17, K22
02LFB.....	J38	06E34A18AC.....	E28	06R115AC.....	E17
04L00GB.....	D10, J42	06E34B18AC.....	E28	06R118AC.....	E17, K22
04L03GB.....	D10, J42	06E36A13AC.....	E28	06R213AC.....	E17
04L10GB.....	D10, J42	06E36A18AC.....	E28	06R213AC.....	K22
04L13GB.....	D10, J42	06E36B13AC.....	E28	06R215AC.....	E17
05E12A13A.....	J36	06E37A18AC.....	E28	06R218AC.....	E17, K22
05E12A13AB.....	E25	06E38A13AC.....	E28	06R313AC.....	E17, K22
05E1PA13A.....	J36	06E38A18AC.....	E28	06R315AC.....	E17
05E22A13A.....	J36	06F12AC.....	E4	06R318AC.....	E17, K22
05E22A13AB.....	E25	06F12BC.....	E4	07A32A13A2BD.....	E45
05E2PA13A.....	J36	06F13AC.....	E4	07A33A18A4BD.....	E45
05F12AA.....	E2	06F14AC.....	E4	07A42A13A2BD.....	E45
05F22AA.....	E2	06F16AC.....	E4	07A42A18A2BD.....	E45
05R113A.....	K20	06F16BC.....	E4	07A46B18A2BD.....	E45
05R113AD.....	E15	06F17AC.....	E4	07B32A13A2BD.....	E47
05R114AD.....	E15	06F17BC.....	E4	07B32A18A2BDW.....	E47
05R118A.....	K20	06F18AC.....	E4	07B33A21A3BD.....	E47
05R213A.....	K20	06F18BC.....	E4	07B43A18A4BDW.....	E47
05R213AD.....	E15	06F22AC.....	E4	07E32A13AC.....	E30
05R214AD.....	E15	06F22AC1.....	E5	07E32A18AC.....	E30
05R218A.....	K20	06F22BC.....	E4	07E32B13AC.....	E30
060AA.....	H14	06F24BC.....	E5	07E32B18AC.....	E30
060AO.....	H14	06F26AC.....	E5	07E34A13AC.....	E30
06E12A13AC.....	E27	06F26BC.....	E5	07E34A15AC.....	E30
06E12A18AC.....	E27	06F27BC.....	E5	07E34A18AC.....	E30
06E12B18AC.....	E27	06F28BC.....	E5	07E34B13AC.....	E30
06E13A13AC.....	E27	06F32AC.....	E5	07E34B18AC.....	E30
06E13A13TC.....	E27	06F32BC.....	E5	07E36A13AC.....	E30
06E13A18AC.....	E27	06F32BC1.....	E5	07E36A18AC.....	E30
06E14A13AC.....	E27	06F33AC.....	E5	07E36B13AC.....	E30
06E14A18AC.....	E27	06F34AC.....	E5	07E36B18AC.....	E30
06E16A13AC.....	E27	06F34BC.....	E5	07E37A13AC.....	E30
06E16A18AC.....	E27	06F34BC1.....	E5	07E37B13AC.....	E31
06E17B13AC1.....	E28	06F36AC.....	E5	07E38A13AC.....	E31
06E22A13AC.....	E27	06F36BC.....	E5	07E38A18AC.....	E31
06E22A18AC.....	E27	06F38AC.....	E5	07E38A21AC.....	E31
06E22B13AC.....	E27	06F38BC.....	E5	07E38B18AC.....	E31
06E23A18AC.....	E28	06G22A13A2BC.....	E45	07E42A13AC.....	E31
06E24A13AC.....	E28	06G24A13A4BC.....	E45	07E42A18AC.....	E31
06E24A18AC.....	E28	06G32A18A2BC.....	E45	07E42B13AC.....	E31
06E26A13AC.....	E28	06L12BE.....	E41	07E43A13AC.....	E31
06E26A18AC.....	E28	06L14BE.....	E41	07E44A13AC.....	E31

Part Number Index

Safety Guide

Offer of Sale

Part Number Index,
Safety Guide, Offer of Sale



For inventory, lead times, and kit lookup, visit www.pdnplu.com

Model No.	Section / Page No.	Model No.	Section / Page No.	Model No.	Section / Page No.
07E44A18AC	E31	10F05ED	D4, J12	12F48EC	E13
07E44B15AC	E31	10F07ED	D4, J12	12R215PB	E23, K52
07E44B18AC	E31	10F11ED	D4, J12	12R321PB	K52
07E44B21AC	E31	10F13ED	D4, J12	12R415PB	E23, K52
07E46A13AC	E31	10F15ED	D4, J12	12R421PB	K52
07E46A18AC	E31	10F17ED	D4, J12	14A01B13F0GF	D12
07E47A13AC	E31	1155H30	N8	14A11B13F0GF	D12
07E48A13AC	E31	118Y51	K39	14E01B13FC	D8, J34
07F32AC	E7	11F12EC	E11	14E03B13FC	D8, J34
07F32BC	E7	11F13ECN	E11	14E05B13FC	D8, J34
07F33AC	E7	11F13HCN	E11	14E07B13FC	D8, J34
07F34AC	E7	11F14EC	E11	14E11B13FC	D8, J34
07F34BC	E7	11F16EC	E11	14E13B13FC	D8, J34
07F36AC	E7	11F18EC	E11	14E15B13FC	D8, J34
07F36BC	E7	11F22EC	E11	14E17B13FC	D8, J34
07F37AC	E7	11F26EC	E11	14F01BB	D2, J6
07F38AC	E7	11F27EC	E11	14F03BB	D2, J6
07F38BC	E7	11F28EC	E11	14F05BB	D2, J6
07F42AC	E7	11F32EC	E11	14F07BB	D2, J6
07F42BC	E7	11F34EC	E11	14F11BB	D2, J6
07F44AC	E7	11F36EC	E11	14F13BB	D2, J6
07F44BC	E7	11F37EC	E11	14F15BB	D2, J6
07F46AC	E7	11R115PC	E21, K50	14F17BB	D2, J6
07F46BC	E7	11R121PC	K50	14G01B13F0GD	D12
07F47AC	E7	11R215PC	E21, K50	14G11B13F0GD	D12
07F48AC	E7	11R221PC	K50	14R013FC	D6, J18, K2
07L32BE	E43	11R315PC	E21, K50	14R018FC	D6, J18, K2
07L32BE1	E43	11R321PC	K50	14R113FC	D6, J18, K2
07L34BE	E43	1227A30-001	B71	14R118FC	D6, J18, K2
07L34FE	E43	1232H30-001	B71	1527B7916-001	B71
07L3NBE	E43	12E33E13AA	E33	15F12EA	E9, J14
07L42BE	E43	12E33E18AA	E33	15F1PEA	J14
07L44BE	E43	12E37E13AA	E33	15F22EA	E9, J14
07R313AC	E19, K26	12E37E18AA	E33	15F2PEA	J14
07R313AC1	E19	12E43E18AA	E33	15L22NA	E35
07R315AC	E19	12F32EC	E13	15R113FB	J28, K12
07R318AC	E19, K26	12F32ECN	E13	15R118FB	J28, K12
07R321AC	E19	12F32HC	E13	15R213FB	J28, K12
07R413AC	E19, K26	12F32HCN	E13	15R218FB	J28, K12
07R415AC	E19	12F34EC	E13	161X57-SS	F11, F15
07R418AC	E19, K26	12F34ECN	E13	16G32A18A2BC	E45
07R418AC1	E19	12F36EC	E13	16L12BE	E37
09L84BA	H32	12F36ECN	E13	16L14BE	E37
09L8PBA	H32	12F38EC	E13	16L22BE	E37
09R813BA	H26, K40	12F38HC	E13	16L24BE	E37
1/4 FF-SS	F3, F7, F11, F15	12F42EC	E13	16L32BE	E37
10F01ED	D4, J12	12F46EC	E13	16L34BE	E37
10F03ED	D4, J12	12F47HC	E13	17B32A18A2BD	E47

Part Number Index
Safety Guide
Offer of Sale
Part Number Index, Safety Guide, Offer of Sale



For inventory, lead times, and kit lookup, visit www.pdnplu.com



Model No.	Section / Page No.	Model No.	Section / Page No.	Model No.	Section / Page No.
17B42A18A2BD	E47	51R126RA	K42	BK505Y	J33
17G33A13A4BD	E45	52R125RA	K44	BK603B	H3, H5, H7, H13, H29, H31
17H44B21A4BD	E47	52R126RA	K44	BK603C	H13
17L32BE	E39	52R225RA	K44	BK605WB	H3, H5, H7
17L34BE	E39	52R226RA	K44	BK606X30B	H29, H31
17L36BE	E39	52R325RA	K44	BK609WB	H29, H31
17L42BE	E39	52R326RA	K44		
17L44BE	E39	52R425RA	K44		C
17L46BE	E39	52R426RA	K44	C10A1304	G7, G11, K33
1834C05-001	B71	53R425RA	K46	C10A1308	G7, G11, K33
18A57	H17, K35	53R426RA	K46	C10A1317	G7, G11, K33
18B57	H19, K37	53R525RA	K46	C11A33	G3, G5, G11, G13
20R013GC	K104	53R526RA	K46	CB-M12-4P-2M	B40, B41, K72, K73
20R113GC	K104	53R625RA	K46	CKR10YSS	F13, F17
3393001	M8	53R626RA	K46	CKR11YSS	F13, F17
3393002	M8	54R725RA	K48	CKR354YSS	F11, F15
3393003	M8	54R726RA	K48	CKR364T	K107
3393004	M8	54R825RA	K48	CKR364Y-1SS	F11, F15
35F77BAP	H8, M2	54R826RA	K48		
35F77EAP	H10, M2	5500A2004	N8, N16		D
35F77HAP	H10	5500A4004	N8, N16	DC604-2	N4
35F87BAP	H8, M2	5500A5013	B71	DC604-4	N4
35F87EAP	H10, M2	5500A6004	N16	DC604-6	N4
35F87HAP	H10	5500A9004	N8, N16	DD15-02	M7
4202	H17, K35	5500B6004	N8	DD15-03	M7
4204	H17, K35	606Y72	H29, H31	DD15-04	M7
4206	K39	616A28-SS	F5, F9, F13, F17, F19	DD15-06	M7
43FN7BAP	H8, M2	988A30	N8	DD30-04	M7
43FN7EAP	H10, M2			DD30-06	M7
43FN7HAP	H10		A	DD30-08	M7
45020002	N14	AS-10	N17	DD60-04	M7
45040004	N14	AS-15	N17	DD60-06	M7
45060060	N14	AS-5	N17	DD60-08	M7
45080080	N14	AS-6	N17	DP2-02-001	H9, H11
45120012	N14	AS-8	N17	DP276-P	H13
45160016	N14	ASN-10	N17	DP3-01-000	H9
47020002	N15	ASN-15	N17	DPG-Kit	H14
47040004	N15	ASN-6	N17	DRD1000-A46036014EI	M2, M5
47060006	N15	ASN-8	N17	DRD1200-A46036014EI	M2, M5
47080008	N15			DRD1600-4A6036014EI	M5
47120012	N15		B	DRD1600-A46036014EI	M2
47160016	N15	B344-01AGC	J32	DRD2000-A46036014EI	M2, M5
47200020	N15	B344-01DGC	J32	DRD2400-A46036014EI	M2, M5
47240024	N15	B344-02AGC	J32	DRD325-A23036014EI	M2, M5
491366	K87	B344-02DGC	J32	DRD325-A46036014EI	M2
491367	K87	BK504SY	J33	DRD400-A23036014EI	M2, M5
496449	K88, K89	BK504Y	J33	DRD400-A46036014EI	M2
51R125RA	K42	BK505SY	J33	DRD500-A23036014EI	M2, M5

Part Number Index

Safety Guide

Offer of Sale

Part Number Index, Safety Guide, Offer of Sale

O



For inventory, lead times, and kit lookup, visit www.pdnplu.com

Model No.	Section / Page No.	Model No.	Section / Page No.	Model No.	Section / Page No.
DRD500-A46036014Ei	M2	ESB100MC	N15	F701-08L3P	H12
DRD700-A23036014Ei	M2, M5	ESB125MC	N15	F701-08L7P	H12
DRD700-A46036014Ei	M2	ESB12MC	N15	F701-C3-0773	H13
DRD800-A23036014Ei	M2, M5	ESB150MC	N15	F701-C3-0774	H13
DRD800-A46036014Ei	M2	ESB25MC	N15	F701-C7-0773	H13
DRP-14-447/003	M8	ESB37MC	N15	F701-C7-0774	H13
DRP-14-447/006	M8	ESB50MC	N15	FRP-95-505	H9
DRP-14-447/012	M8	ESB75MC	N15	FRP-95-508	H9
DTK606	H29, H31	EZ03NB6	N6	FRP-96-729	J33
	E	EZ04NB6	N6		G
ECS3	N19	EZ06NB6	N6	GRP-95-022	H9, H11
ECS5	N19	EZ06NBA	N6	GRP-95-111	J23, J33, K7
ED3002N115-K	N3	EZ08NBA	N6	GRP-95-260	K43, K45
ED3004N115-K	N3	EZ0ANBA	N6	GRP-95-261	K47
ED3007N115-K	N3		F	GRP-95-262	K49
ED3030N115-K	N3	F442001	B51, B53, B55, C17, C27, D11, E36, E38, E40, E42, E44, G13, H29, H31, H33, J41, J43	GRP-95-392	H9, H11
ED3100N115-K	N3	F442002	B51, B53, B55, C17, C27, D11, E36, E38, E40, E42, E44, G13, H29, H31, H33, J41, J43	GRP-95-393	H9, H11
EFI	L3	F442003	B51, B53, B55, C17, D11, E36, E38, E40, E42, E44, G13, H29, H31, H33, J41, J43	GRP-95-981	H9, H11
EK504VY	F3, F15	F442005	B51, B53, B55, C17, D11, E36, E38, E40, E42, E44, G13, H29, H31, H33, J41, J43	GRP-96-717	J23, J33, K7
EK504Y	F3, F15	F602-06EJ	H2	GRP-96-718	J23, J33, K7
EK55G	F5	F602-06EJR	H2	GRP-96-725	J23, J33, K7
EK55J	F5	F602-06WJ	H2	GRP-96-726	J23, J33, K7
EK602B	H3, H5	F602-06WJR	H2		H
EK602G	H7	F602-08EJ	H2	HDF-120-NPT-A	H14, L5
EK602VB	H3, H5	F602-08EJR	H2		K
EKF10VY	F17	F602-08WJ	H2	K352413B	K80
EKF10Y	F17	F602-08WJR	H2	K352428B	K80
EKF501H	F7	F602-12EJ	H4	K352429B	K80
EKF71	F9	F602-12EJR	H4	K4510N18060	B21, B23, B82, J17, K17, K19
EM100	N14	F602-12WJ	H4	K4510N18160	B21, B23, B82, J17, K17, K19
EM12	N14	F602-12WJR	H4	K4511SCR04B	B21, B25, B27, B29, B43, B82, J17, J31, K17, K23, K25
EM125	N14	F602-16EJ	H6	K4511SCR060	B21, B25, B27, B29, B43, B82, J17, J31, K17, K23, K25
EM150	N14	F602-16EJR	H6	K4511SCR11B	B21, B25, B27, B29, B43, B82, J17, J31, K17, K23, K25
EM25	N14	F602-16WJ	H6	K4511SCR160B21	B25, B27, B29, B43, B71, B82, J17, J31, K17, K23, K25
EM37	N14	F602-16WJR	H6	K4515N14030	E16, E26, J37, K15, K21
EM50	N14	F701-06E3P	H12	K4515N14060	E16, E26, J37, K15, K21
EM75	N14	F701-06E7P	H12	K4515N14160	E16, E26, J37, K15, K21
EMM5	N14	F701-06L3P	H12	K4515N14160SS	F11, F15
ES100MC	N8, N15	F701-06L7P	H12	K4515N14300	E16, E26, J37, K15, K21
ES125MC	N8, N15	F701-08E3P	H12	K4515N18030	B21, B82, D7, D9, J17, J19, J21, J29, J35, K3, K5, K13, K17
ES12MC	N15	F701-08E7P	H12		
ES150MC	N8, N15				
ES200MC	N8				
ES25MC	N8, N15				
ES37MC	N8, N15				
ES50MC	N8, N15				
ES75MC	N8, N15				

Part Number Index

Safety Guide

Offer of Sale

Part Number Index, Safety Guide, Offer of Sale

O



For inventory, lead times, and kit lookup, visit www.pdnplu.com

Model No.	Section / Page No.	Model No.	Section / Page No.	Model No.	Section / Page No.
K4515N18060	B21, B82, D7, D9, J17, J19, J21, J23, J29, J33, J35, K3, K5, K7, K13, K17	LV6N8BSS	N5	P2FCA449	B83, C25
K4515N18160	B21, B82, D7, D9, J17, J19, J21, J23, J29, J33, J35, K3, K5, K7, K13, K17	LV6NAB	N5	P2FCA453	B83, C25
K4517N14160D	E18, E20, E22, E24, E29, E32, E34, G7, G9, G11, H17, H19, H21, H23, H25, H27, K23, K27, K33, K35, K37, K41, K51, K53, K55, K57, K59, K61	LV8N8BSS	N5	P2FCB449	B83, C25
K4520N14030	B25, B27, B29, B31, B45, B47, B49, B82, K23, K25, K29	LV8NAB	N5	P2FCB453	B83, C25
K4520N14060	B25, B27, B29, B31, B45, B47, B49, B82, D7, E16, E18, E20, E22, E24, E26, E29, E32, E34, G7, G9, G11, H17, H19, H21, H23, H25, J19, J29, J37, K3, K13, K15, K21, K23, K25, K27, K29, K33, K35, K37, K51, K53, K55, K57, K59, K61	LVANAB	N5	P2FP23N4A	B83, C25
K4520N14160	B25, B27, B29, B31, B45, B47, B49, B82, C9, C27, D7, E16, E18, E20, E22, E24, E26, E29, E32, E34, G7, G9, G11, H17, H19, H21, H23, H25, H27, J19, J29, J37, K3, K13, K15, K21, K23, K25, K27, K29, K33, K35, K37, K41, K51, K53, K55, K57, K59, K61	LVBNAB	N5	P2FP23N4B	B83, C25
K4520N14160SS	F13, F17	LVBNBCB	N5	P31CA92GEBN5LNW	B56
K4520N14300	B25, B27, B29, B31, B45, B47, B49, B82, C9, C27, E16, E18, E20, E22, E24, E26, E29, E32, E34, G7, G9, G11, H17, H19, H21, H23, H25, H27, J19, J29, J37, K3, K13, K15, K21, K23, K25, K27, K29, K31, K33, K35, K37, K41, K51, K53, K55, K57, K59, K61	LVBNBCBSS	N5	P31CA92GEMN5LNW	B56
		LVCNCB	N5	P31CB92GEBN5LNW	B56
		LVCNCBSS	N5	P31CB92GEMN5LNW	B56
			M	P31DA92PPN	B60
		MSP-95-502	H11	P31DA92SGNC1FN	B60
		MSP-95-876	H11	P31DA92SGNC2CN	B60
		MTP-95-502	H11	P31EB92EGBBN5P	B42, J30
		MTP-95-562	H11	P31EB92EGMBN5P	B42, J30
			P	P31EB92EMBBN5P	B42, J30
		P01173	D7, D9, J19, J21, J29, J35, K3, K5, K13	P31EB92EMMBN5P	B42, J30
		P01174	D7, D9, J19, J21, J29, J35, K3, K5, K13	P31FB92DGBN	B14, J10
		P01175	D7, D9, J19, J21, J29, J35, K3, K5, K13	P31FB92DGMBN	B14, J10
		P01176	D7, D9, J19, J21, J29, J35, K3, K5, K13	P31FB92DDBN	B14, J10
		P01265	D7, D9, J19, J35, K3	P31FB92DMMN	B14, J10
		P01531	D7, J19, J29, K3, K13	P31FB92EGBN	B8, J4
		P01698	E18, E20, E29, E32, E34, K23, K27	P31FB92EGMN	B8, J4
		P02934	E16, E26, J37, K21	P31FB92EMBN	B8, J4
		P04062	E18, E20, E29, E32, E34, K23, K27	P31FB92EMMN	B8, J4
		P04063	E18, E20, E29, E32, E34, K23, K27	P31HB92BN5P	B22, K18
		P04064	E18, E20, E29, E32, E34, K23, K27	P31HB92BNNP	B22, K18
		P04069B	E18, E20, E29, E32, E34, K23, K27	P31KA00CB	B9, B15, B21, B23, B43, B51, B77, J5, J11, J17, J31, J41, K17, K19
		P04079B	E18, E20, E22, E24, K23, K27, K51, K53	P31KA00CY	B82
		P04082	E18, E20, E22, E24, E29, E32, K23, K27, K51, K53	P31KA00ES9	B15, B80, J11
		P04121	E36, E38, E40, E42, E44, G13	P31KA00ESA	B15, B80, J11
		P04420	E16, K21	P31KA00ESC	B15, B80, J11
		P0442001	K15	P31KA00ESE	B9, B43, B80, J5, J31
		P04425	E16, E26, J37, K15, K21	P31KA00MM	B21, B23, B43, B80, J17, J31, K17, K19
		P04426	E16, E26, J37, K15, K21	P31KA00MP	B21, B23, B43, B80, J17, J31, K17, K19
		P04427	E16, E26, J37, K15, K21	P31KA00MT	B9, B15, B21, B23, B43, B51, B77, J5, J11, J17, J31, J41, K17, K19
		P04428	K15	P31KA00MW	B9, B15, B21, B43, B51, B77, J5, J11, J17, J31, J41, K17
		P11912	E38, E40, E42, E44	P31KA00PL	B51, B80, J41
		P2FC6449	B83, C25	P31KA11CN	B77
				P31KA11CP	B77
				P31KA12CN	B77
				P31KA12CP	B77
				P31KA13CN	B77

Part Number Index
Safety Guide
Offer of Sale
Part Number Index, Safety Guide, Offer of Sale



For inventory, lead times, and kit lookup, visit www.pdnplu.com

Model No.	Section / Page No.	Model No.	Section / Page No.	Model No.	Section / Page No.
P31KA13CP	B77	P31TA92PPN	B64	P32FB92EGMN	B10
P31KA21CN	B77	P31TA92SGNC1FN	B64	P32FB92ESAN	B10
P31KA21CP	B77	P31TA92SGNC2CN	B64	P32FB92ESMN	B10
P31KA22CN	B77	P31VB92LBNN	B74	P32FB93DGAN	B16
P31KA22CP	B77	P32CA92GEANGLNW	B57	P32FB93DGMN	B16
P31KA23CN	B77	P32CA92GEMNGLNW	B57	P32FB93DSAN	B16
P31KA23CP	B77	P32CA93GEANGLNW	B57	P32FB93DSMN	B16
P31KA91CN	B77	P32CA93GEMNGLNW	B57	P32FB93EGAN	B10
P31KA91CP	B77	P32CA94GEANGLNW	B57	P32FB93EGMN	B10
P31KA92CN	B77	P32CA94GEMNGLNW	B57	P32FB93ESAN	B10
P31KA92CP	B77	P32CB92GEANGLNW	B57	P32FB93ESMN	B10
P31KA93CN	B77	P32CB92GEMNGLNW	B57	P32FB94DGAN	B16
P31KA93CP	B77	P32CB93GEANGLNW	B57	P32FB94DGMN	B16
P31KB00AL	B82	P32CB93GEMNGLNW	B57	P32FB94DSAN	B16, M2
P31KB00AT	B82, J23, K7	P32CB94GEANGLNW	B57	P32FB94DSMN	B16
P31KB00BGB	B9, B15, B43, B81, J5, J11, J31	P32CB94GEMNGLNW	B57	P32FB94EGAN	B10
P31KB00BGM	B9, B15, B43, B81, J5, J11, J31	P32DA94PPN	B60	P32FB94EGMN	B10
P31KB00BGN	B51, B80, J41	P32DA94SCNA2CN	B60	P32FB94ESAN	B10, M2
P31KB00BMB	B9, B15, B43, B81, J5, J11, J31	P32DA94SCNA3GN	B60	P32FB94ESMN	B10
P31KB00BMM	B9, B15, B81, J5, J11	P32EB92EGABNGP	B44	P32HB92BNNP	B28, K24
P31KB00BMN	B51, B81, J41	P32EB92EGAPNGP	B46	P32HB93BNNP	B28, K24
P31KB00MR	B21, B23, B43, B77, J17, J31, K17, K19	P32EB92EGMBNGP	B44	P32HB94BNNP	B28, K24
P31KB00PR	B82	P32EB92EGMPNGP	B46	P32KA00CB	B11, B13, B17, B19, B25, B27, B29, B31, B45, B47, B49, B53, B55, B71, B78, B79, K23, K25, K29
P31KB00PS	B82	P32EB92ESABNGP	B44	P32KA00CY	B82
P31KB00PT	B82	P32EB92ESAPNGP	B46	P32KA00DA	B11, B13, B17, B19, B45, B47, B49, B80
P31KB00PV	B82	P32EB92ESMBNGP	B44	P32KA00ES9	B17, B80
P31KB00RB	B21, B23, B43, B81, J17, J31, K17, K19	P32EB92ESMPNGP	B46	P32KA00ESA	B17, B80
P31KB00RC	B21, B23, B43, B81, J17, J31, K17, K19	P32EB93EGABNGP	B44	P32KA00ESC	B17, B80
P31KB00RQ	B15, B80, J11	P32EB93EGAPNGP	B46	P32KA00ESE	B11, B45, B47, B80
P31LB92LGNN	B50, J40	P32EB93EGMBNGP	B44	P32KA00MB	B11, B13, B17, B19, B25, B27, B29, B31, B45, B47, B49, B53, B55, B63, B65, B71, B78, B79, K23, K25, K29
P31LB92LMNN	B50, J40	P32EB93EGMPNGP	B46	P32KA00ML	B11, B17, B53, B63, B65, B78
P31MA92022N	B75	P32EB93ESABNGP	B44	P32KA00MM	B25, B27, B29, B45, B47, B80, K23, K25
P31PA92AD2VD1A	B32, K64	P32EB93ESAPNGP	B46	P32KA00MP	B25, B27, B29, B45, B47, B80, K23, K25
P31QA92GEBN5LNW	B56	P32EB93ESMBNGP	B44	P32KA00MT	B11, B17, B19, B25, B27, B29, B31, B45, B47, B49, B53, B55, B63, B65, B71, B78, B79, K23, K25, K29
P31QA92GEMN5LNW	B56	P32EB93ESMPNGP	B46	P32KA00PG	B51, B53, B55, J41
P31QB92GEBN5LNW	B56	P32EB94EGABNGP	B44	P32KA00PH	B80
P31QB92GEMN5LNW	B56	P32EB94EGAPNGP	B46	P32KA00PL	B53, B55, B80
P31RB92BN5P	B20, J16, K16	P32EB94EGMBNGP	B44	P32KA00RQ	B17, B19, B80
P31RB92BNNP	B20, J16, K16	P32EB94EGMPNGP	B46	P32KA12CP	B78, B79
P31SA92PPN	B62	P32EB94ESABNGP	B44	P32KA13CP	B78, B79
P31SA92SGNC1FN	B62	P32EB94ESAPNGP	B46		
P31SA92SGNC2CN	B62	P32EB94ESMBNGP	B44		
P31SA92Y0N	B62	P32EB94ESMPNGP	B46		
		P32FB92DGAN	B16		
		P32FB92DGMN	B16		
		P32FB92DSAN	B16		
		P32FB92DSMN	B16		
		P32FB92EGAN	B10		

Part Number Index

Safety Guide

Offer of Sale

Part Number Index, Safety Guide, Offer of Sale



For inventory, lead times, and kit lookup, visit www.pdnplu.com

Model No.	Section / Page No.	Model No.	Section / Page No.	Model No.	Section / Page No.
P32KA14CP	B71, B78, B79	P32QB94GEANGLNW	B57	P33FA96DGMN	B18
P32KA16CP	B71, B78, B79	P32QB94GEMNGLNW	B57	P33FA96DSAN	B18, M2
P32KA22CP	B78, B79	P32RB92BNGP	B24, K22	P33FA96DSMN	B18
P32KA23CP	B78, B79	P32RB92BNNP	B24, K22	P33FA96EGAN	B12
P32KA24CP	B71, B78, B79	P32RB92PNGP	B26	P33FA96EGMN	B12
P32KA26CP	B71, B78, B79	P32RB92PNNP	B26	P33FA96ESAN	B12, M2
P32KA92CP	B78, B79	P32RB93BNGP	B24, K22	P33FA96ESMN	B12
P32KA93CP	B78, B79	P32RB93BNNP	B24, K22	P33KA00BGA	B81
P32KA94CP	B71, B78, B79	P32RB93PNGP	B26	P33KA00BGM	B13, B19, B49, B81
P32KA96CP	B71, B78, B79	P32RB93PNNP	B26	P33KA00BGN	B55, B80
P32KB00AL	B82	P32RB94BNGP	B24, K22	P33KA00BMA	B81
P32KB00AT	B82	P32RB94BNNP	B24, K22	P33KA00BMM	B81
P32KB00BGA	B81	P32RB94PNGP	B26	P33KA00BMN	B55, B81
P32KB00BGM	B11, B17, B45, B47, B81	P32RB94PNNP	B26	P33KA00BSA	B81
P32KB00BGN	B53, B80	P32SA94PPN	B62	P33KA00BSM	B13, B19, B49, B81
P32KB00BMA	B81	P32SA94SCNA2CN	B62	P33KA00BSN	B55, B81
P32KB00BMM	B81	P32SA94SCNA3GN	B62	P33KA00ES9	B19, B80
P32KB00BMN	B53, B81	P32SA94Y0N	B62	P33KA00ESA	B19, B80
P32KB00BSA	B81	P32TA94PPN	B64	P33KA00ESC	B19, B80
P32KB00BSM	B11, B17, B45, B47, B81	P32TA94SCNA2CN	B64	P33KA00ESE	B13, B49, B80
P32KB00BSN	B53, B81	P32TA94SCNA3GN	B64	P33KA00ML	B13, B19, B55, B79
P32KB00MR	B25, B27, B29, B45, B47, B78, K23, K25	P32VB93LBNN	B74	P33KA00MM	B31, B49, B80, K29
P32KB00PR	B82	P32VB94LBNN	B74	P33KA00MP	B31, B49, B80, K29
P32KB00PS	B82	P33CA94GEANGLNW	B58	P33KA00MR	B31, B49, B79, K29
P32KB00PT	B82	P33CA94GEMNGLNW	B58	P33KA00MT	B13
P32KB00PV	B82	P33CA96GEANGLNW	B58	P33KA00PR	B82
P32KB00RB	B25, B27, B29, B45, B47, B81, K23, K25	P33CA96GEMNGLNW	B58	P33KA00PS	B82
P32KB00RC	B25, B27, B29, B45, B47, B81, K23, K25	P33CB94GEANGLNW	B58	P33KA00PT	B82
P32LB92LGNN	B52	P33CB94GEMNGLNW	B58	P33KA00PV	B82
P32LB92LSNN	B52	P33CB96GEANGLNW	B58	P33KA00RB	B31, B49, B81, K29
P32LB93LGNN	B52	P33CB96GEMNGLNW	B58	P33KA00RC	B31, B49, B81, K29
P32LB93LSNN	B52	P33EA94EGABNGP	B48	P33LA94LGNN	B54
P32LB94LGNN	B52	P33EA94EGMBNGP	B48	P33LA94LSNN	B54
P32LB94LSNN	B52	P33EA94ESABNGP	B48	P33LA96LGNN	B54
P32MA94024N	B75	P33EA94ESMBNGP	B48	P33LA96LSNN	B54
P32PA92AD2VD1A	B32, K64	P33EA96EGABNGP	B48	P33MA96024N	B75
P32QA92GEANGLNW	B57	P33EA96EGMBNGP	B48	P33QA94GEANGLNW	B58
P32QA92GEMNGLNW	B57	P33EA96ESABNGP	B48	P33QA94GEMNGLNW	B58
P32QA93GEANGLNW	B57	P33EA96ESMBNGP	B48	P33QA96GEANGLNW	B58
P32QA93GEMNGLNW	B57	P33FA94DGAN	B18	P33QA96GEMNGLNW	B58
P32QA94GEANGLNW	B57	P33FA94DGMN	B18	P33QB94GEANGLNW	B58
P32QA94GEMNGLNW	B57	P33FA94DSAN	B18	P33QB94GEMNGLNW	B58
P32QB92GEANGLNW	B57	P33FA94DSMN	B18	P33QB96GEANGLNW	B58
P32QB92GEMNGLNW	B57	P33FA94EGAN	B12	P33QB96GEMNGLNW	B58
P32QB93GEANGLNW	B57	P33FA94EGMN	B12	P33RA94BNGP	B30, K28
P32QB93GEMNGLNW	B57	P33FA94ESAN	B12	P33RA94BNNP	B30, K28
P32QB96GEANGLNW	B57	P33FA94ESMN	B12	P33RA96BNGP	B30, K28
P32QB96GEMNGLNW	B57	P33FA96DGAN	B18	P33RA96BNNP	B30, K28

Part Number Index

Safety Guide

Offer of Sale

Part Number Index, Safety Guide, Offer of Sale



For inventory, lead times, and kit lookup, visit www.pdnplu.com

Model No.	Section / Page No.	Model No.	Section / Page No.	Model No.	Section / Page No.
P33TA96RG4F2CN	B70	P3NKA00PD	G9, K55	P3TFA9BWGAN	L2, L4, M2
P33TA96RG4G2CN	B70	P3NKA00PE	G3, G5, G11, G13	P3TFA9CWHAN	L2, L4, M2
P33VB94LBNN	B74	P3NKA00PK	G13	P3TFA9EWKAN	L2, L4, M2
P33VB96LBNN	B74	P3NKA00PL	G13	P3TFAFFD2AN	H14, M2
P3A-RN91YNN	J20	P3NKA00PM	G15	P3TFAFFQ2AN	H14, M2
P3A-RN91YNN	K4	P3NKA00PN	G7, G11, K33	P3TFAFFW2AN	L5, M2
P3BA20812	K100, K102	P3NKA00RL	G13	P3TFAFGD3AN	H14, M2
P3BA20822	K100, K102	P3NKA00RN	G7, G11, K33	P3TFAFGQ3AN	H14, M2
P3BA20823	K100	P3NKA00RR	G7, G11, K33	P3TFAFGW3AN	L5, M2
P3EA63242NS	K98	P3NKB16CL	G15	P3TKA00MWA	L4
P3EA63252NS	K98	P3NKB16CP	G15	P3TKA00MWB	L4
P3HKA00MC	B40, B61, K72	P3NKB18CL	G15	P3TKA00MWD	L4
P3HKA00ML	B40, B61, K72	P3NKB18CP	G15	P3TKA00MWF	L4
P3KKA00MC	B41, K73	P3NKB1BCL	G15	P3TKA00MWJ	L4
P3KKA00ML	B41, K73	P3NKB1BCP	G15	P3XKA00AS	C15, C27
P3NCA96SGMNNLNA	G14	P3NKB96CL	G15	P3YCA96SEANFLNF	C18
P3NCA98SGMNNLNA	G14	P3NKB96CP	G15	P3YCA96SECNFLNF	C18
P3NCA9PSGMNNLNA	G14	P3NKB98CL	G15	P3YCA98SEANFLNF	C18
P3NCB96SGMNNLNA	G14	P3NKB98CP	G15	P3YCA98SECNFLNF	C18
P3NCB98SGMNNLNA	G14	P3NKB9BCL	G15	P3YCB96SEANFLNF	C18
P3NCB9PSGMNNLNA	G14	P3NKB9BCP	G15	P3YCB96SECNFLNF	C18
P3NEA96GSABNN	G10	P3NLA96LSN	G12	P3YCB98SEANFLNF	C18
P3NEA96GSMBNN	G10	P3NLA98LSN	G12	P3YCB98SECNFLNF	C18
P3NEA98GSABNN	G10	P3NLA9PLSN	G12	P3YEA96ESABNEN	C14
P3NEA98GSMBNN	G10	P3NRA96BNG	G6, K32	P3YEA96ESABNFN	C14
P3NEA9PGSABNN	G10	P3NRA96BNN	G6, K32	P3YEA96ESCBNEN	C14
P3NEA9PGSMBNN	G10	P3NRA96BPP	G8, K54	P3YEA96ESCBNFN	C14
P3NFA96DSA	G4	P3NRA98BNG	G6, K32	P3YEA98ESABNEN	C14
P3NFA96DSM	G4	P3NRA98BNN	G6, K32	P3YEA98ESABNFN	C14
P3NFA96GSA	G2	P3NRA98BPP	G8, K54	P3YEA98ESCBNEN	C14
P3NFA96GSM	G2	P3NRA9PBNG	G6, K32	P3YEA98ESCBNFN	C14
P3NFA98DSA	G4	P3NRA9PBNN	G6, K32	P3YFA96DSAN	C6
P3NFA98DSM	G4	P3NRA9PBPP	G8, K54	P3YFA96DSCN	C6
P3NFA98GSA	G2	P3RA10232	K92	P3YFA96ESAN	C4
P3NFA98GSM	G2	P3RA10232BP	K94	P3YFA96ESCN	C4
P3NFA9PDSA	G4, M2	P3RA10242	K92	P3YFA98DSAN	C6, M2
P3NFA9PDSM	G4	P3RA10242BP	K94	P3YFA98DSCN	C6
P3NFA9PGSA	G2, M2	P3RA10262	K92	P3YFA98ESAN	C4, M2
P3NFA9PGSM	G2	P3RA10262BP	K94	P3YFA98ESCN	C4
P3NKA00BSA	G3, G5, G11	P3RA17132NNKN	K96	P3YKA00BSA	C5, C7, C15, C27
P3NKA00BSM	G3, G5, G11, G13	P3RA30232	K90	P3YKA00BSC	C5, C7, C15, C27
P3NKA00BSN	G13	P3RA30242	K90	P3YKA00BSN	C17, C27
P3NKA00ESA	G3, G11	P3RA30252	K90	P3YKA00CB	C27
P3NKA00ESCB	G5	P3TFA92WAAN	L2, L4	P3YKA00CW	C27
P3NKA00ESE	G3, G11	P3TFA93WBAN	L2, L4	P3YKA00ESA	C7, C27
P3NKA00ESG	G3, G11	P3TFA94WCAN	L2, L4, M2	P3YKA00ESC	C7, C27
P3NKA00MWE51	G3, G5, G7, G9, G11, G13, G15, K33, K55	P3TFA96WDAN	L2, L4, M2	P3YKA00ESE	C5, C15, C27
		P3TFA98WEAN	L2, L4, M2	P3YKA00ESG	C5

Part Number Index

Safety Guide

Offer of Sale

Part Number Index, Safety Guide, Offer of Sale



For inventory, lead times, and kit lookup, visit www.pdnplu.com



Model No.	Section / Page No.	Model No.	Section / Page No.	Model No.	Section / Page No.
P3YKA00MM	C9, C15, C27, K31	P6M-PAB8	N18	PS2028BP	B84, C26
P3YKA00MS	C9, C15, C27, K31	P6M-PAC5	N18	PS2028JBP	B84
P3YKA00PL	C17, C27	P78652	D7, D9, J19, J21, J29, J35, K3, K5, K13	PS2028JCP	B84, C26
P3YKA00RN	C9, C15, C27, K31	PB11-04WJCRSS	F16	PS203279BP	B84, C26
P3YKA00RQ	C7, C27	PB11-04WJCSS	F16	PS203283BP	B84, C26
P3YKA00RR	C9, C15, C27, K31	PB12-04WJCRSS	F16	PS2032J79CP	B84, C26
P3YKA08CY	C27	PB12-04WJCSS	F16	PS2032J83CP	B84, C26
P3YLA96LSNN	C16	PB548-02DHCSS	F14	PS20966-9	K97
P3YLA98LSNN	C16	PB558-02DHCSS	F14	PS20967-1	K97
P3YMA1V0N	C24	PCKR364T	K105	PS21667-1	K91
P3YMA9V0N	C24	PCKR364Y	K105	PS2429BP	B84, C26
P3YPA96BD2VA2A	C12	PF10-04WJRSS	F4	PS2429JBP	B84, C26
P3YPA98BD2VA2A	C12	PF10-04WJSS	F4	PS243079BP	B84, C26
P3YRA96BNEN	C8, K30	PF11-04WJRSS	F8	PS243083BP	B84, C26
P3YRA96BNFN	C8, K30	PF11-04WJSS	F8	PS2430J79BP	B84, C26
P3YRA96BPPN	C10, K62	PF501-02DHRSS	F6	PS2430J83BP	B84, C26
P3YRA98BNEN	C8, K30	PF501-02DHSS	F6	PS2932BP	B84, K80
P3YRA98BNFN	C8, K30	PF504-02DHRSS	F2	PS2932JBP	B84, E10, E12, E14, J15, K80
P3YRA98BPPN	C10, K62	PF504-02DHSS	F2	PS294675BP	K80
P3YSA96Y0N	C22	PL10-04DSS	F18	PS294679BP	B84, C26, K80
P3YSA98Y0N	C22	PL10-04WSS	F18	PS294683BP	B84, C26, K80
P3YTA96PPN	C20	PPS1-2C3-RHM	N8	PS2946J75BP	K80
P3YTA96SCNA2CN	C20	PPS1-2C3-RWL	N8	PS2946J79BP	B84, C26, K80
P3YTA98PPN	C20	PR10-04CSS	F12	PS2946J83BP	B84, C26, K80
P3YTA98SCNA2CN	C20	PR11-04CSS	F12	PS2982B42P	K80
P4CG4201D003	K82	PR354-02CSS	F10	PS2982B45P	K80
P4CN2001C001	K82	PR364-02CSS	F10	PS2982B49P	B83, K80
P4CN4001C001	K82	PRKR163Y	K105	PS2982B53P	B83, K80
P4GAA92	N13	PRKR164Y	K105	PS3202B42P	K80
P4GAA93	N13	PS09921	K93, K95, K97, K101	PS3202B45P	K80
P4GAA94	N13	PS12125-1	K93	PS3202B49P	K80
P4GAA96	N13	PS12125-4	K93	PS3202B53P	K80
P4GAA98	N13	PS12127-1	K95	PS401P	D3, D9, J7, J35
P4GBA92	N13	PS12163	K91	PS403P	D3, D9, J7, J35
P4GBA93	N13	PS12165	K93, K95, K99	PS404P	D3, D5, D9, J7, J13, J35
P4GBA94	N13	PS16116-13	K91	PS407P	D3, J7
P6G-PR10040	B21, B23, B25, B27, B29, B82, J17, K17, K19, K23, K25	PS16116-14	K91	PS408BP	D3, D5, D9, J7, J13, J35
P6G-PR10110	B21, B23, B25, B27, B29, B82, J17, K17, K19, K23, K25	PS19513-11	K101	PS417BP	D3, D5, D7, D9, D13, E51, J7, J13, J19, J21, J29, J35, K3, K5, K13
P6G-PR90060	B21, B23, B25, B27, B29, B82, J17, K17, K19, K23, K25	PS19513-11I	K101	PS419	D11, D13, E51, J43
P6G-PR90160	B21, B23, B25, B27, B29, B82, J17, K17, K19, K23, K25	PS19513-12	K101	PS420P	D11, J43
P6M-PAB1	N18	PS19513-13	K101	PS421P	D11, J43
P6M-PAB2	N18	PS19549-1	K103	PS424BP	J29, K13
P6M-PAB3	N18	PS19549-1E	K103	PS426P	D7, D9, J19, J21, J29, J35, K3, K5, K13
P6M-PAB4	N18	PS19549-2	K103	PS428P	D7, D9, J19, J21, J29, J35, K3, K5, K13
P6M-PAB6	N18	PS19549-20E	K103	PS434	J39
		PS19549-3	K103		
		PS19968-NR	K99		

Part Number Index
Safety Guide
Offer of Sale
Part Number Index, Safety Guide, Offer of Sale



For inventory, lead times, and kit lookup, visit www.pdnplu.com

Model No.	Section / Page No.	Model No.	Section / Page No.	Model No.	Section / Page No.
PS435	J39	PS726P	E6, E12, E29	PS823P	E8, E14, E32
PS436	J3	PS728P	E38	PS824P	E14
PS446P	D5, J13	PS729P	E38, E42	PS826P	E8, E14, E32, E34
PS447BP	D3, D5, D9, D11, J7, J13, J35, J43	PS730P	E12	PS829P	E40, E44
PS451BP	D3, D5, D9, J7, J13, J35	PS731P	E6, E29	PS830P	E14
PS452P	D3, D9, J7, J35	PS732P	E6, E12, E29	PS831P	E8, E32
PS454B	J29, K13	PS734P	E6, E12, E29	PS832P	E8, E14, E32
PS456P	D5, J13	PS735P	E6, E12, E29	PS834P	E8, E14, E32, E34
PS506P	E6, E8, E12, E14, E29, E32, E34, G3, G5, G11	PS737P	E18, E20, E29, E32, E34, K23, K27	PS835P	E8, E14, E32
PS512P	E3, E6, E8, E10, E12, E14, E26, E29, E32, E34, E36, E38, E40, E42, E44, G3, G5, G11, G13	PS738P	E42, E44	PS843P	E8, E14, E40, E44, E51
PS512P	J15, J37	PS739P	E38, E40	PS846P	E40, E44
PS602P	H27, K41	PS740N	E38, E40, E42, E44, F19, G13	PS847P	E24, K53
PS603P	H27, K41	PS740P	E36, E38, E40, E42, E44, G13	PS849P	E24, K53
PS604P	H27, K41	PS741P	E42, E44	PS850P	E50
PS605P	H27, K41	PS742P	E38, E40	PS851P	E50
PS607P	H33	PS743P	E6, E12, E38, E42, E51	PS852P	E50
PS610P	H33	PS745P	E22, E24, K51, K53	PS853P	E50
PS612P	H33	PS746P	E38, E42	PS854P	E49
PS613P	H33	PS747P	E22, K51	PS856P	E49
PS626P	H27, K41	PS748P	E38, E40	PS857P	E49
PS627	H27, K41	PS749P	E22, K51	PS860P	E50
PS701P	E6, E29	PS750P	E50	PS865P	E50
PS702P	E6, E29	PS751P	E50	PS866P	E50
PS705P	E6, E12, E29, E38, E42	PS752P	E50	PS867P	E50
PS707P	E18, E22, E29, E51	PS755P	E49	PS884P	E34
PS707P	K23, K51	PS756P	E49	PS885P	E34
PS708P	E18	PS757P	E49	PS886P	E34
PS708P	K23	PS764	E10, J15	PS901P	E3, E26, J37
PS708RP	E18	PS765P	E50	PS902P	E26, J37
PS708RP	K23	PS766P	E50	PS905P	E3, E10, E26, E36, J15, J37
PS709P	E18	PS767P	E50	PS907P	K15
PS709P	K23	PS781P	E10, E12, E14, G3, G5, J15	PS908P	E16, E26, J37, K21
PS710P	E29	PS801P	E8, E32	PS910P	K15
PS711P	E29	PS802P	E8, E32	PS914P	E3, E6, E8, E10, E12, E14, E26, E36, J15, J37
PS713P	E22, E29, K51	PS805P	E8, E14, E32, E40, E44	PS915P	E16, E26, J37, K21
PS715P	E18, E20, E29, E32, E34, K23, K27	PS807P	E20, E24, E32, E34, E51, K27, K53	PS924P	E10, J15
PS716P	E38, E40, E42, E44	PS808P	E20, K27	PS931P	E3, E26, J37
PS717P	E38, E42	PS808RP	E20, K27	PS932P	E3, E10, E26, J15, J37
PS718P	E42, E44	PS809P	E20, K27	PS943P	E3, E10, E36, E51, J15
PS719P	E38, E42	PS810P	E32	PS946P	E36
PS720P	E42	PS811P	E32	PS948P	E36
PS722P	E6, E12, E29	PS813P	E24, E32, K53	PS954P	E49
PS723P	E6, E12, E29	PS817P	E40, E44	PS955P	E49
PS724P	E12	PS819P	E40, E44	PS963P	E16, E26, E51, J37, K15, K21
		PS820P	E40, E44	PS964P	E16, E26, J37, K15, K21
		PS822P	E8, E14, E32	PS995P	E3, E10, E26, J15, J37
				PS998P	E3, E10, E26, J15, J37

Part Number Index
Safety Guide
Offer of Sale
Part Number Index, Safety Guide, Offer of Sale



For inventory, lead times, and kit lookup, visit www.pdnplu.com



Model No.	Section / Page No.	
SAP05481	F3, F5, F7, F15, F17, F19	
SKED3000N115	N3	W21542183BK74
SPE0100-A11516016TIU	M2, M4	W21544172B.....K74
SPE010-A11516016TIU	M2, M4	W21544175B.....K74
SPE0125-A11516016TIU	M2, M4	W21544179BK74
SPE0150-A11516016TIU	M2, M4	W21544183BK74
SPE015-A11516016TIU	M2, M4	WDV3-G12BL.....N2
SPE0175-A11516016TIU.....	M2, M4	WDV3-G13BL.....N2
SPE0175-A23016016TIU	M2, M4	WDV3-G14BL.....N2
SPE0200-A23016014TIU.....	M2, M4	WDV3-G22BL.....N2
SPE0250-A23016014TIU.....	M2, M4	WDV3-G23BL.....N2
SPE025-A11516016TIU.....	M2, M4	WDV3-G24BL.....N2
SPE035-A11516016TIU.....	M2, M4	WDV3-G34BLN2
SPE050-A11516016TIU.....	M2, M4	
SPE075-A11516016TIU	M2, M4	
SPR-375-1.....	J25, K9, K107	
SPR-375-2-SS.....	F11, F15	
SPR-376	J25, K9, K107	
SPR-376-1-SS.....	F11, F15	
SPR-377	J25, K9, K107	
SPR-377-1-SS.....	F11, F15	
SPR-388-1-SS	F13, F17	
SPR-389-1-SS	F13, F17	
SPR-390-1-SS	F13, F17	
SPR-46.....	J27, K11, K109	
SPR-47	J27, K11, K109	
SPR-48	J27, K11, K109	

T

TW101BN14NNN	M9, M12
TW131BN14NNN.....	M9, M12
TW201BN14NNN	M9, M12
TW251BN14NNN	M9, M12
TW301BN14NNN	M9, M12
TW401BN14NNN	M9, M12
TW41BN14NNN.....	M9, M12
TW501BN14NNN	M9, M12
TW56BN14NNN.....	M9, M12
TW601BN14NNN	M9, M12
TW76BN14NNN	M9, M12
TW801BN14NNN	M9, M12

W

W21540172B	K74
W21540175B	K74
W21540179B	K74
W21540183B	K74
W21542172B	K74
W21542175B	K74

Part Number
Index

Safety Guide

Offer of Sale

Part Number Index,
Safety Guide, Offer of Sale

O



For inventory, lead times, and kit
lookup, visit www.pdnplu.com

Safety Guide For Selecting And Using Pneumatic Division Products And Related Accessories



WARNING:

FAILURE OR IMPROPER SELECTION OR IMPROPER USE OF PNEUMATIC DIVISION PRODUCTS, ASSEMBLIES OR RELATED ITEMS (“PRODUCTS”) CAN CAUSE DEATH, PERSONAL INJURY, AND PROPERTY DAMAGE. POSSIBLE CONSEQUENCES OF FAILURE OR IMPROPER SELECTION OR IMPROPER USE OF THESE PRODUCTS INCLUDE BUT ARE NOT LIMITED TO:

- Unintended or mistimed cycling or motion of machine members or failure to cycle
- Work pieces or component parts being thrown off at high speeds.
- Failure of a device to function properly for example, failure to clamp or unclamp an associated item or device.
- Explosion
- Suddenly moving or falling objects.
- Release of toxic or otherwise injurious liquids or gasses.

Before selecting or using any of these Products, it is important that you read and follow the instructions below.

1. GENERAL INSTRUCTIONS

- 1.1. Scope:** This safety guide is designed to cover general guidelines on the installation, use, and maintenance of Pneumatic Division Valves, FRLs (Filters, Pressure Regulators, and Lubricators), Vacuum products and related accessory components.
- 1.2. Fail-Safe:** Valves, FRLs, Vacuum products and their related components can and do fail without warning for many reasons. Design all systems and equipment in a fail-safe mode, so that failure of associated valves, FRLs or Vacuum products will not endanger persons or property.
- 1.3. Relevant International Standards:** For a good guide to the application of a broad spectrum of pneumatic fluid power devices see: ISO 4414: 1998, Pneumatic Fluid Power – General Rules Relating to Systems. See www.iso.org for ordering information.
- 1.4. Distribution:** Provide a copy of this safety guide to each person that is responsible for selection, installation, or use of Valves, FRLs or Vacuum products. Do not select, or use Parker valves, FRLs or vacuum products without thoroughly reading and understanding this safety guide as well as the specific Parker publications for the products considered or selected.
- 1.5. User Responsibility:** Due to the wide variety of operating conditions and applications for valves, FRLs, and vacuum products Parker and its distributors do not represent or warrant that any particular valve, FRL or vacuum product is suitable for any specific end use system. This safety guide does not analyze all technical parameters that must be considered in selecting a product. The user, through its own analysis and testing, is solely responsible for:
 - Making the final selection of the appropriate valve, FRL, Vacuum component, or accessory.
 - Assuring that all user's performance, endurance, maintenance, safety, and warning requirements are met and that the application presents no health or safety hazards.
 - Complying with all existing warning labels and / or providing all appropriate health and safety warnings on the equipment on which the valves, FRLs or Vacuum products are used; and,
 - Assuring compliance with all applicable government and industry standards.
- 1.6. Safety Devices:** Safety devices should not be removed, or defeated.
- 1.7. Warning Labels:** Warning labels should not be removed, painted over or otherwise obscured.
- 1.8. Additional Questions:** Call the appropriate Parker technical service department if you have any questions or require any additional information. See the Parker publication for the product being considered or used, or call 1-800-CPARKER, or go to www.parker.com, for telephone numbers of the appropriate technical service department.

2. PRODUCT SELECTION INSTRUCTIONS

- 2.1. Flow Rate:** The flow rate requirements of a system are frequently the primary consideration when designing any pneumatic system. System components need to be able to provide adequate flow and pressure for the desired application.
- 2.2. Pressure Rating:** Never exceed the rated pressure of a product. Consult product labeling, Pneumatic Division catalogs or the instruction sheets supplied for maximum pressure ratings.
- 2.3. Temperature Rating:** Never exceed the temperature rating of a product. Excessive heat can shorten the life expectancy of a product and result in complete product failure.
- 2.4. Environment:** Many environmental conditions can affect the integrity and suitability of a product for a given application. Pneumatic Division products are designed for use in general purpose industrial applications. If these products are to be used in unusual circumstances such as direct sunlight and/or corrosive or caustic environments, such use can shorten the useful life and lead to premature failure of a product.
- 2.5. Lubrication and Compressor Carryover:** Some modern synthetic oils can and will attack nitrile seals. If there is any possibility of synthetic oils or greases migrating into the pneumatic components check for compatibility with the seal materials used. Consult the factory or product literature for materials of construction.
- 2.6. Polycarbonate Bowls and Sight Glasses:** To avoid potential polycarbonate bowl failures:
 - Do not locate polycarbonate bowls or sight glasses in areas where they could be subject to direct sunlight, impact blow, or temperatures outside of the rated range.
 - Do not expose or clean polycarbonate bowls with detergents, chlorinated hydro-carbons, ketones, esters or certain alcohols.
 - Do not use polycarbonate bowls or sight glasses in air systems where compressors are lubricated with fire resistant fluids such as phosphate ester and di-ester lubricants.
- 2.7. Chemical Compatibility:** For more information on plastic component chemical compatibility see Pneumatic Division technical bulletins Tec-3, Tec-4, and Tec-5

Part Number
Index

Safety Guide

Offer of Sale

Part Number Index,
Safety Guide, Offer of Sale

0



For inventory, lead times, and kit
lookup, visit www.pdnplu.com

- 2.8. **Product Rupture:** Product rupture can cause death, serious personal injury, and property damage.
 - Do not connect pressure regulators or other Pneumatic Division products to bottled gas cylinders.
 - Do not exceed the maximum primary pressure rating of any pressure regulator or any system component.
 - Consult product labeling or product literature for pressure rating limitations.

3. PRODUCT ASSEMBLY AND INSTALLATION INSTRUCTIONS

- 3.1. **Component Inspection:** Prior to assembly or installation a careful examination of the valves, FRLs or vacuum products must be performed. All components must be checked for correct style, size, and catalog number. DO NOT use any component that displays any signs of nonconformance.
- 3.2. **Installation Instructions:** Parker published Installation Instructions must be followed for installation of Parker valves, FRLs and vacuum components. These instructions are provided with every Parker valve or FRL sold, or by calling 1-800-CPARKER, or at www.parker.com.
- 3.3. **Air Supply:** The air supply or control medium supplied to Valves, FRLs and Vacuum components must be moisture-free if ambient temperature can drop below freezing

4. VALVE AND FRL MAINTENANCE AND REPLACEMENT INSTRUCTIONS

- 4.1. **Maintenance:** Even with proper selection and installation, valve, FRL and vacuum products service life may be significantly reduced without a continuing maintenance program. The severity of the application, risk potential from a component failure, and experience with any known failures in the application or in similar applications should determine the frequency of inspections and the servicing or replacement of Pneumatic Division products so that products are replaced before any failure occurs. A maintenance program must be established and followed by the user and, at minimum, must include instructions 4.2 through 4.9. Failure to follow routine maintenance can lead to a reduction in the expected service life of the product and can result in damage to the system, personal injury and/or property damage.
- 4.2. **Installation and Service Instructions:** Before attempting to service or replace any worn or damaged parts consult the appropriate Service Bulletin for the valve or FRL in question for the appropriate practices to service the unit in question. These Service and Installation Instructions are provided with every Parker valve and FRL sold, or are available by calling 1-800-CPARKER, or by accessing the Parker website at www.parker.com.
- 4.3. **Lockout / Tagout Procedures:** Be sure to follow all required lockout and tagout procedures when servicing equipment. For more information see: OSHA Standard – 29 CFR, Part 1910.147, Appendix A, The Control of Hazardous Energy – (Lockout / Tagout)
- 4.4. **Visual Inspection:** Any of the following conditions requires immediate system shut down and replacement of worn or damaged components:
 - Air leakage: Look and listen to see if there are any signs of visual damage to any of the components in the system. Leakage is an indication of worn or damaged components.
 - Damaged or degraded components: Look to see if there are any visible signs of wear or component degradation including but not limited to swelling, bulging, creaks or leaks.
 - Kinked, crushed, or damaged hoses. Kinked hoses can result in restricted air flow and lead to unpredictable system behavior.
 - Any observed improper system or component function: Immediately shut down the system and correct malfunction.
 - Excessive dirt build-up: Dirt and clutter can mask potentially hazardous situations.

Caution: Leak detection solutions should be rinsed off after use.

- 4.5. **Routine Maintenance Issues:**
 - Remove excessive dirt, grime and clutter from work areas.
 - Make sure all required guards and shields are in place.
- 4.6. **Functional Test:** Before initiating automatic operation, operate the system manually to make sure all required functions operate properly and safely.
- 4.7. **Service or Replacement Intervals:** It is the user’s responsibility to establish appropriate service intervals. Valves, FRLs and vacuum products contain components that age, harden, wear, and otherwise deteriorate over time. Environmental conditions can significantly accelerate this process. Valves, FRLs and vacuum components need to be serviced or replaced on routine intervals. Failure to follow routine service can lead to a reduction in the expected service life of the product and can result in damage to the system, personal injury and/or property damage. Service intervals need to be established based on:
 - Previous performance experiences.
 - Government and / or industrial standards.
 - When failures could result in unacceptable down time, equipment damage or personal injury risk.
- 4.8. **Servicing or Replacing of any Worn or Damaged Parts:** To avoid unpredictable system behavior that can cause death, personal injury and property damage:
 - Follow all government, state and local safety and servicing practices prior to service including but not limited to all OSHA Lockout Tagout procedures (OSHA Standard – 29 CFR, Part 1910.147, Appendix A, The Control of Hazardous Energy – Lockout / Tagout).
 - Disconnect electrical supply (when necessary) before installation, servicing, or conversion.
 - Disconnect air supply and depressurize all air lines connected to system and Pneumatic Division products before installation, service, or conversion.
 - Installation, servicing, and / or conversion of these products must be performed by knowledgeable personnel who understand how pneumatic products are to be applied.
 - After installation, servicing, or conversions air and electrical supplies (when necessary) should be connected and the product tested for proper function and leakage. If audible leakage is present, or if the product does not operate properly, do not put product or system into use.
 - Warnings and specifications on the product should not be covered or painted over. If masking is not possible, contact your local representative for replacement labels.
- 4.9. **Putting Serviced System Back into Operation:** Follow the guidelines above and all relevant Installation and Maintenance Instructions supplied with the valve FRL or vacuum component to insure proper function of the system.

Part Number Index
Safety Guide
Offer of Sale
Part Number Index, Safety Guide, Offer of Sale
O



For inventory, lead times, and kit lookup, visit www.pdnplu.com

PARKER-HANNIFIN CORPORATION
OFFER OF SALE

1. Definitions. As used herein, the following terms have the meanings indicated.

"Buyer" means any customer receiving a Quote for Products.

"Buyer's Property" means any tools, patterns, plans, drawings, designs, specifications materials, equipment, or information furnished by Buyer, or which are or become Buyer's property.

"Confidential Information" means any technical, commercial, or other proprietary information of Seller, including, without limitation, pricing, technical drawings or prints and/or part lists, which has been or will be disclosed, delivered, or made available, whether directly or indirectly, to Buyer.

"Goods" means any tangible part, system or component to be supplied by Seller.

"Intellectual Property Rights" means any patents, trademarks, copyrights, trade dress, trade secrets or similar rights.

"Products" means the Goods, Services and/or Software as described in a Quote.

"Quote" means the offer or proposal made by Seller to Buyer for the supply of Products.

"Seller" means Parker-Hannifin Corporation, including all divisions, subsidiaries and businesses selling Products under these Terms.

"Seller's IP" means patents, trademarks, copyrights, or other intellectual property rights relating to the Products, including without limitation, names, designs, images, drawings, models, software, templates, information, any improvements or creations or other intellectual property developed prior to or during the relationship contemplated herein.

"Services" means any services to be provided by Seller.

"Software" means any software related to the Goods, whether embedded or separately downloaded.

"Special Tooling" means equipment acquired by Seller or otherwise owned by Seller necessary to manufacture Goods, including but not limited to tools, jigs, and fixtures.

"Terms" means the terms and conditions of this Offer of Sale.

2. Terms. All sales of Products by Seller will be governed by, and are expressly conditioned upon Buyer's assent to, these Terms. These Terms are incorporated into any Quote provided by Seller to Buyer. Buyer's order for any Products whether communicated to Seller verbally, in writing, by electronic data interface or other electronic commerce, shall constitute acceptance of these Terms. Seller objects to any contrary or additional terms or conditions of Buyer. Reference in Seller's order acknowledgement to Buyer's purchase order or purchase order number shall in no way constitute an acceptance of any of Buyer's terms or conditions of purchase. Any Quote made by Seller to Buyer shall be considered a firm and definite offer and shall not be deemed to be otherwise despite any language on the face of the Quote. Seller reserves all rights to accept or reject any purported acceptance by Buyer to Seller's Quote if such purported acceptance attempts to vary the terms of the Quote. If Seller ships Products after Buyer issues an acceptance to the Quote, any additional or different terms proposed by Buyer will not become part of the parties' business relationship unless agreed to in a writing that is signed by an authorized representative of Seller, excluding email correspondence. If the transaction proceeds without such agreement on the part of Seller, the business relationship will be governed solely by these Terms and the specific terms in Seller's Quote.

3. Price; Payment. The Products set forth in the Quote are offered for sale at the prices indicated in the Quote. Unless otherwise specifically stated in the Quote, prices are valid for thirty (30) days and do not include any sales, use, or other taxes or duties. Seller reserves the right to modify prices for any reason and at any time by giving ten (10) days prior written notice. Unless otherwise specified by Seller, all prices are F.C.A. Seller's facility (INCOTERMS 2020). All sales are contingent upon credit approval and full payment for all purchases is due thirty (30) days from the date of invoice (or such date as may be specified in the Quote). Under any circumstances, Buyer may not withhold or suspend payment of any amounts due and payable as a deduction, set-off or recoupment of any amount, claim or dispute with Seller. Unpaid invoices beyond the specified payment date incur interest at the rate of 1.5% per month or the maximum allowable rate under applicable law. Seller reserves the right to require advance payment or provision of securities for first and subsequent deliveries if there is any doubt, in Seller's sole determination, regarding the Buyer's creditworthiness or for other business reasons. If the requested advance payment or securities are not provided to Seller's satisfaction, Seller reserves the right to suspend performance or reject the purchase order, in whole or in part, without prejudice to Seller's other rights or remedies, including the right to full compensation. Seller may revoke or shorten any payment periods previously granted in Seller's sole determination. The rights and remedies herein reserved to Seller are cumulative and in

addition to any other or further rights and remedies available at law or in equity. No waiver by Seller of any breach by Buyer of any provision of these terms will constitute a waiver by Seller of any other breach of such provision.

4. Shipment; Delivery; Title and Risk of Loss. All delivery dates are approximate, and Seller is not responsible for damages or additional costs resulting from any delay. All deliveries are subject to our ability to procure materials from our suppliers. Regardless of the manner of shipment, delivery occurs and title and risk of loss or damage pass to Buyer, upon placement of the Products with the carrier at Seller's facility. Unless otherwise agreed prior to shipment and for domestic delivery locations only, Seller will select and arrange, at Buyer's sole expense, the carrier and means of delivery. When Seller selects and arranges the carrier and means of delivery, freight and insurance costs for shipment to the designated delivery location will be prepaid by Seller and added as a separate line item to the invoice. Buyer shall be responsible for any additional shipping charges incurred by Seller due to Buyer's acts or omissions. Buyer shall not return or repackage any Products without the prior written authorization from Seller, and any return shall be at the sole cost and expense of Buyer.

5. Warranty. The warranty for the Products is as follows:

(i) Goods are warranted against defects in material or workmanship for a period of twelve (12) months from the date of delivery or 2,000 hours of use, whichever occurs first; (ii) Services shall be performed in accordance with generally accepted practices and using the degree of care and skill that is ordinarily exercised and customary in the field to which the Services pertain and are warranted for a period of six (6) months from the date of completion of the Services; and (iii) Software is only warranted to perform in accordance with applicable specifications provided by Seller to Buyer for ninety (90) days from the date of delivery or, when downloaded by a Buyer or end-user, from the date of the initial download. All prices are based upon the exclusive limited warranty stated above, and upon the following disclaimer: **EXEMPTION CLAUSE; DISCLAIMER OF WARRANTY, CONDITIONS, REPRESENTATIONS: THIS WARRANTY IS THE SOLE AND ENTIRE WARRANTY, CONDITION, AND REPRESENTATION, PERTAINING TO PRODUCTS. SELLER DISCLAIMS ALL OTHER WARRANTIES, CONDITIONS, AND REPRESENTATIONS, WHETHER STATUTORY, EXPRESS OR IMPLIED, INCLUDING BUT NOT LIMITED TO THOSE RELATING TO DESIGN, NONINFRINGEMENT, MERCHANTABILITY, AND FITNESS FOR A PARTICULAR PURPOSE. SELLER DOES NOT WARRANT THAT THE SOFTWARE IS ERROR-FREE OR FAULT-TOLERANT, OR THAT BUYER'S USE THEREOF WILL BE SECURE OR UNINTERRUPTED, UNLESS OTHERWISE AUTHORIZED IN WRITING BY SELLER, THE SOFTWARE SHALL NOT BE USED IN CONNECTION WITH HAZARDOUS OR HIGH-RISK ACTIVITIES OR ENVIRONMENTS. EXCEPT AS EXPRESSLY STATED HEREIN, ALL PRODUCTS ARE PROVIDED "AS IS"**.

6. Claims; Commencement of Actions. Buyer shall promptly inspect all Products upon receipt. No claims for shortages will be allowed unless reported to Seller within ten (10) days of delivery. Buyer shall notify Seller of any alleged breach of warranty within thirty (30) days after the date the non-conformance is or should have been discovered by Buyer. Any claim or action against Seller based upon breach of contract or any other theory, including tort, negligence, or otherwise must be commenced within twelve (12) months from the date of the alleged breach or other alleged event, without regard to the date of discovery.

7. LIMITATION OF LIABILITY. IN THE EVENT OF A BREACH OF WARRANTY, SELLER WILL, AT ITS OPTION, REPAIR OR REPLACE THE NON-CONFORMING PRODUCTS, RE-PERFORM THE SERVICES, OR REFUND THE PURCHASE PRICE PAID WITHIN A REASONABLE PERIOD OF TIME. IN NO EVENT IS SELLER LIABLE FOR ANY SPECIAL, INDIRECT, INCIDENTAL OR CONSEQUENTIAL DAMAGES INCLUDING ANY LOSS OF REVENUE OR PROFITS, WHETHER BASED IN CONTRACT, TORT OR OTHER LEGAL THEORY. IN NO EVENT SHALL SELLER'S LIABILITY UNDER ANY CLAIM MADE BY BUYER EXCEED THE PURCHASE PRICE PAID FOR THE PRODUCTS.

8. Confidential Information. Buyer acknowledges and agrees that Confidential Information has been and will be received in confidence and will remain the property of Seller. Buyer further agrees that it will not use Seller's Confidential Information for any purpose other than for the benefit of Seller and shall return all such Confidential Information to Seller within thirty (30) days upon request.

9. Loss to Buyer's Property. Buyer's Property will be considered obsolete and may be destroyed by Seller after two (2) consecutive years have elapsed without Buyer ordering the Products manufactured using Buyer's Property.

09/22



For inventory, lead times, and kit lookup, visit www.pdnplu.com

036

Parker Hannifin Corporation
Pneumatic Division
Richland, Michigan
www.parker.com/pneumatics

Also, Seller shall not be responsible for any loss or damage to Buyer's Property while it is in Seller's possession or control.

10. Special Tooling. Seller may impose a tooling charge for any Special Tooling. Special Tooling shall be and remain Seller's property. In no event will Buyer acquire any interest in the Special Tooling, even if such Special Tooling has been specially converted or adapted for manufacture of Goods for Buyer and notwithstanding any charges paid by Buyer. Unless otherwise agreed, Seller has the right to alter, discard or otherwise dispose of any Special Tooling or other property owned by Seller in its sole determination at any time.

11. Security Interest. To secure payment of all sums due from Buyer, Seller retains a security interest in all Products delivered to Buyer and, Buyer's acceptance of these Terms is deemed to be a Security Agreement under the Uniform Commercial Code. Buyer authorizes Seller as its attorney to execute and file on Buyer's behalf all documents Seller deems necessary to perfect Seller's security interest.

12. User Responsibility. Buyer, through its own analysis and testing, is solely responsible for making the final selection of the Products and assuring that all performance, endurance, maintenance, safety and warning requirements of the application of the Products are met. Buyer must analyze all aspects of the application and follow applicable industry standards, specifications, and any technical information provided with the Quote or the Products, such as Seller's instructions, guides and specifications. If Seller provides options of or for Products based upon data or specifications provided by Buyer, Buyer is responsible for determining that such data and specifications are suitable and sufficient for all applications and reasonably foreseeable uses of the Products. In the event Buyer is not the end-user of the Products, Buyer will ensure such end-user complies with this paragraph.

13. Use of Products, Indemnity by Buyer. Buyer shall comply with all instructions, guides and specifications provided by Seller with the Quote or the Products. If Buyer uses or resells the Products in any way prohibited by Seller's instructions, guides or specifications, or Buyer otherwise fails to comply with Seller's instructions, guides and specifications, Buyer acknowledges that any such use, resale, or non-compliance is at Buyer's sole risk. Further, Buyer shall indemnify, defend, and hold Seller harmless from any losses, claims, liabilities, damages, lawsuits, judgments and costs (including attorney fees and defense costs), whether for personal injury, property damage, intellectual property infringement or any other claim, arising out of or in connection with: (a) improper selection, design, specification, application, or any misuse of Products; (b) any act or omission, negligent or otherwise, of Buyer; (c) Seller's use of Buyer's Property; (d) damage to the Products from an external cause, repair or attempted repair by anyone other than Seller, failure to follow instructions, guides and specifications provided by Seller, use with goods not provided by Seller, or opening, modifying, deconstructing, tampering with or repackaging the Products; or (e) Buyer's failure to comply with these Terms, including any legal or administrative proceedings, collection efforts, or other actions arising from or relating to such failure to comply. Seller shall not indemnify Buyer under any circumstance except as otherwise provided in these Terms.

14. Cancellations and Changes. Buyer may not cancel or modify, including but not limited to movement of delivery dates for the Products, any order for any reason except with Seller's written consent and upon terms that will indemnify, defend and hold Seller harmless against all direct, incidental and consequential loss or damage and any additional expense. Seller, at any time, may change features, specifications, designs and availability of Products.

15. Assignment. Buyer may not assign its rights or obligations without the prior written consent of Seller.

16. Force Majeure. Seller is not liable for delay or failure to perform any of its obligations by reason of any events or circumstances beyond its reasonable control. Such circumstances include without limitation: accidents, labor disputes or stoppages, government acts or orders, acts of nature, pandemics, epidemics, other widespread illness, or public health emergency, cyber related disruptions, cyber-attacks, ransomware sabotage, delays or failures in delivery from carriers or suppliers, shortages of materials, sudden increases in the price of raw material or components, shutdowns or slowdowns affecting the supply of raw materials or components, or the transportation thereof, oil shortages or oil price increases, energy crisis, energy or fuel interruption, war (whether declared or not) or the serious threat of same, riots, rebellions, acts of terrorism, embargoes, fire or any reason whether similar to the foregoing or otherwise. Seller will resume performance as soon as practicable after the event of force majeure has been removed. All delivery dates affected by an event of force majeure shall be tolled for the duration of such event of force majeure and rescheduled for mutually agreed dates as soon as practicable after the event of force majeure ceases to exist. The right to allocate capacity is in the Seller's sole discretion. An event of force majeure shall not include

financial distress, insolvency, bankruptcy, or other similar conditions affecting one of the parties, affiliates and/or subcontractors. An event of force majeure in the meaning of these Terms means any circumstances beyond Seller's control that permanently or temporarily hinders performance, even where that circumstance was already foreseen. Buyer shall not be entitled to cancel any orders following its claim of an event of force majeure.

17. Waiver and Severability. Failure to enforce any provision of these Terms will not invalidate that provision; nor will any such failure prejudice either party's right to enforce that provision in the future. Invalidation of any provision of these Terms shall not invalidate any other provision herein and, the remaining provisions will remain in full force and effect.

18. Duration. Unless otherwise stated in the Quote, any agreement governed by or arising from these Terms shall: (a) be for an initial duration of one (1) year; and (b) shall automatically renew for successive one-year terms unless terminated by Buyer with at least 180-days written notice to Seller or if Seller terminates the agreement pursuant to Section 19 of these Terms.

19. Termination. Seller may, without liability to Buyer, terminate any agreement governed by or arising from these Terms for any reason and at any time by giving Buyer thirty (30) days prior written notice. Seller may immediately terminate, in writing, if Buyer: (a) breaches any provision of these Terms, (b) becomes or is deemed insolvent, (c) appoints or has appointed a trustee, receiver or custodian for all or any part of Buyer's property, (d) files a petition for relief in bankruptcy on its own behalf, or one is filed against Buyer by a third party, (e) makes an assignment for the benefit of creditors; or (f) dissolves its business or liquidates all or a majority of its assets.

20. Ownership of Rights. Buyer agrees that (a) Seller (and/or its affiliates) owns or is the valid licensee of Seller's IP and (b) the furnishing of information, related documents or other materials by Seller to Buyer does not grant or transfer any ownership interest or license in or to Seller's IP to Buyer, unless expressly agreed in writing. Without limiting the foregoing, Seller retains ownership of all Software supplied to Buyer. In no event shall Buyer obtain any greater right in and to the Software than a right in a license limited to the use thereof and subject to compliance with any other terms provided with the Software. Buyer further agrees that it will not, directly or through intermediaries, reverse engineer, decompile, or disassemble any Software (including firmware) comprising or contained within a Product, except and only to the extent that such activity may be expressly permitted, either by applicable law or, in the case of open source software, the applicable open source license.

21. Indemnity for Infringement of Intellectual Property Rights. Seller is not liable for infringement of any Intellectual Property Rights except as provided in this Section. Seller will defend at its expense and will pay the cost of any settlement or damages awarded in an action brought against Buyer based on a third-party claim that one or more of the Products infringes the Intellectual Property Rights of a third party in the country of delivery of the Products by Seller to Buyer. Seller's obligation to defend and indemnify Buyer is contingent on Buyer notifying Seller within ten (10) days after Buyer becomes aware of any such claim, and Seller having sole control over the defense of the claim including all negotiations for settlement or compromise. If one or more Products is subject to such a claim, Seller may, at its sole expense and option, procure for Buyer the right to continue using the Products, replace or modify the Products to render them non-infringing, or offer to accept return of the Products and refund the purchase price less a reasonable allowance for depreciation. Seller has no obligation or liability for any claim of infringement: (i) arising from information provided by Buyer (including Seller's use of Buyer's Property); or (ii) directed to any Products for which the designs are specified in whole or part by Buyer; or (iii) resulting from the modification, combination or use in a system of any Products. The foregoing provisions of this Section constitute Seller's sole and exclusive liability and Buyer's sole and exclusive remedy for claims of infringement of Intellectual Property Rights.

22. Governing Law. These Terms, the terms of any Quote, and the sale and delivery of all Products are deemed to have taken place in, and shall be governed and construed in accordance with, the laws of the State of Ohio, as applicable to contracts executed and wholly performed therein and without regard to conflicts of laws principles. Buyer irrevocably agrees and consents to the exclusive jurisdiction and venue of the courts of Cuyahoga County, Ohio with respect to any dispute, controversy or claim arising out of or relating to the sale and delivery of the Products.

23. Entire Agreement. These Terms, along with the terms set forth in the Quote, forms the entire agreement between the Buyer and Seller and constitutes the final, complete and exclusive expression of the terms of sale and purchase. In the event of a conflict between any term set forth in the Quote and these Terms, the terms set forth in the Quote shall prevail. All prior or contemporaneous written or oral agreements or negotiations with



respect to the subject matter shall have no effect. No modification to these Terms will be binding on Seller unless agreed to in a writing that is signed by an authorized representative of Seller, excluding email correspondence, 'clickwrap' or other purported electronic assent to different or additional terms. Sections 2-25 of these Terms shall survive termination or cancellation of any agreement governed by or arising from these Terms.

24. No 'Wrap' Agreements/No Authority to Bind. Seller's clicking any buttons or any similar action, such as clicking "I Agree" or "Confirm," to utilize Buyer's software or webpage for the placement of orders, is NOT an agreement to Buyer's Terms and Conditions. **NO EMPLOYEE, AGENT OR REPRESENTATIVE OF SELLER HAS THE AUTHORITY TO BIND SELLER BY THE ACT OF CLICKING ANY BUTTON OR SIMILAR ACTION ON BUYER'S WEBSITE OR PORTAL.**

25. Compliance with Laws. Buyer agrees to comply with all applicable laws, regulations, and industry and professional standards, including those of the United States of America, and the country or countries in which Buyer may operate, including without limitation the U.S. Foreign Corrupt Practices Act ("FCPA"), the U.S. Anti-Kickback Act ("Anti-Kickback Act"), U.S. and E.U. export control and sanctions laws ("Export Laws"), the U.S. Food Drug and Cosmetic Act ("FDCA"), and the rules and regulations promulgated by the U.S. Food and Drug Administration ("FDA"), each as currently amended. Buyer agrees to indemnify, defend, and hold harmless Seller from the consequences of any violation of such laws, regulations and standards by Buyer, its employees or agents. Buyer represents that it is familiar with all applicable provisions of the FCPA, the Anti-Kickback Act, Export Laws, the FDCA and the FDA and certifies that Buyer will adhere to the requirements thereof and not take any action that would make Seller violate such requirements. Buyer represents and agrees that Buyer will not make any payment or give anything of value, directly or indirectly, to any governmental official, foreign political party or official thereof, candidate for foreign political office, or commercial entity or person, for any improper purpose, including the purpose of influencing such person to purchase Products or otherwise benefit the business of Seller. Buyer further represents and agrees that it will not receive, use, service, transfer or ship any Products from Seller in a manner or for a purpose that violates Export Laws or would cause Seller to be in violation of Export Laws. Buyer agrees to promptly and reliably provide Seller all requested information or documents, including end-user statements and other written assurances, concerning Buyer's ongoing compliance with Export Law.



Parker Hannifin Corporation

Pneumatic Division

8676 E. M89

Richland, MI 49083 USA

Tel: 269 629 5000

Applications Engineering: pdn.technical@support.parker.com

Customer Support: pdn.support@support.parker.com

www.parker.com/pneumatics

